

Soon

Garage door opener

CE



Instructions and warnings for the fitter

Istruzioni ed avvertenze per l'installatore

Instructions et recommandations pour l'installateur

Anweisungen und Hinweise für den Installateur

Instrucciones y advertencias para el instalador

Instrukcje i uwagi dla instalatora

Nice

Soon

Summary:

page

Instructions for automation installation and start-up 3

1	Working in safety	3
1.1	Safety precautions and warnings	3

2	Product specifications	3
2.1	Product description, intended use and technical data	3

3	Installation feasibility check	4
3.1	Check product components	4
3.2	Check suitability of environment	4
3.3	Check product application limits	4

4	Install the various components	4
4.1	Standard installation layout	4
4.2	Install the mechanical components	5
4.3	Laying electric cables	6
4.4	Manual lock and release procedure	6

5	Make electrical connections	6
5.1	Connect all devices	6
5.2	Connect bluebus devices	8
5.2.1	Photocells	8
5.2.2	Photosensor FT210B	8
5.3	Connect devices to STOP input	8
5.4	Connect electrical power supply	9

6	Initial system start-up - checks	9
6.1	Operating test	9

7	Memorising devices and positions	9
7.1	Memorising devices	9
7.2	Memorising positions	10

8	Perform final testing of system	11
8.1	Final testing	11
8.2	Start-up	11

9	Instructions for personalised automation operation	12
9.1	Programming keys	12

10	Settings	12
10.1	Level 1 functions	12
10.2	Level 1 programming	13
10.3	Level 2 Functions (settable parameters)	13
10.4	Level 2 programming	14

11	Maintenance notification	14
11.1	Check of number of manoeuvres performed	15
11.2	Manoeuvre counter reset	15

12	Fault log list	15
-----------	----------------	----

13	Connecting other devices	15
-----------	--------------------------	----

14	Further details: special functions	16
14.1	“Always open” function	16
14.2	“Move anyway” function	16

15	Automation operation by means of transmitter and “SM” radio receiver	16
-----------	--	----

16	Automatic fault finding and diagnostics	16
-----------	---	----

17	What to do if... (Troubleshooting guide)	17
-----------	--	----

18	Disposal	17
-----------	----------	----

INTRODUCTION

This manual explains how to install, program and use the Soon sectional door opening automation. The various subjects are divided into three sections.

SECTION 1 is a step-by-step guide illustrating the phases required for physical installation of the product and operation start-up.

SECTION 2 describes how to personalise operation of Soon, by the programming of specific functions and selection of special operations and settings.

There is also a section on maintenance and disposal of the product.

⚠ The **First** and **Second Part** of the manual are aimed exclusively at qualified Technical Personnel assigned to install the automation. None of this information is relevant for the final user of the product.

Instructions for installation and start-up of the automation

This SECTION provides a step-by-step description of all phases of product installation (mechanical assembly, electrical connections, testing) and initial start-up (operating settings).

These phases are preceded by a number of very important instructions, which regard safety, product characteristics and system feasibility.

1) Working in safety

1.1) Safety precautions and warnings

⚠ The product installation, programming and start-up procedures must be performed exclusively by technically qualified personnel, in observance of current legislation and standards governing these operations, and according to the instructions in this manual.

This manual has been drawn up to provide a step-by-step guide to the procedures of installation, programming and start-up of the Soon gearmotor. All tasks required, together with the necessary instructions, are specified in the exact order in which they must be performed.

It is therefore important to read all sections of the manual before starting installation. We recommend in particular to carefully read the Sections containing the essential information on SAFETY, i.e. this Section 1, Section 3 - CHECKS BEFORE INSTALLATION AND PRODUCT APPLICATION LIMITS and Section 8 - SYSTEM TESTING AND COMMISSIONING.

In consideration of the hazards that may arise during installation and daily use of the product, installation must be in full observance of the European Directive 98/37/EC (Machinery Directive governing the installation of power-operated doors and gates) and in particular standards EN 12445, EN 12453 and EN 12635.

Compliance with this Directive will enable operation in maximum safety, and the issue of the relative declaration of conformity at the end of installation, with the consequent guarantee of system safety.

NOTE: Further information and guidelines on the risk assessment, useful when drawing up the "Technical Documentation" are available on the Internet site: www.niceforyou.com

- Use of the Soon product other than as specified in this manual is strictly prohibited. Improper use constitutes a risk of damage to the product and a hazard to persons and objects.
- Never apply modifications to any of the product components, unless expressly specified in the manual. Unauthorised interventions can lead to malfunctions and Nice® declines all liability for damage caused by makeshift modifications to the product.
- Before starting installation, an assessment of the associated risks must be made, including a list of the essential safety requirements as envisaged in Appendix I of the Machinery Directive, specifying the relative solutions adopted. Note that the risk assessment is one of the documents included in the automation Technical documentation.
- Before starting installation, check whether other devices or materials are required to complete automation with Soon, evaluating the specific application and associated risks; for example considering the risks of impact, crushing, shearing, dragging and other hazards in general.

- Connect the Soon control unit only to an electric power line equipped with an earthing system.
- During installation, prevent any parts of the automation from coming into contact with water or other liquids, or penetration of these liquids and/or objects inside the control unit and other open devices. Should this occur, disconnect the power supply immediately and contact a Nice® service centre:

⚠ Use of Soon in these conditions constitutes a hazard!

- Never keep Soon components near to sources of heat and never expose to naked flames. This may damage system components and cause malfunctions, fire or hazardous situations
- During installation, all operations requiring access to internal parts, concealed by the Soon cover (e.g. terminals) must be performed with the power supply disconnected. If the connection is already made and the disconnection devices are concealed, a suitable notice must be affixed, indicating: WARNING: MAINTENANCE IN PROGRESS:
- During installation, if electrical safety device trip, such as circuit breakers or fuses, the cause of the fault must be identified and eliminated before resuming normal operation.
- At the end of installation, the automation may only be used after completing the "commissioning" procedure as specified in Section 8 - SYSTEM TESTING AND COMMISSIONING.
- In the event of prolonged periods of disuse, the optional battery of Soon should be removed and stored in a dry location. This precaution will prevent deterioration and the risk of leakage of hazardous substances from the battery.
- In the event of a fault not remediable with the information in this manual, contact an authorised Nice® Service centre.
- The Soon product packaging material must be disposed of in full observance of current local legislation governing waste disposal.
- Take care to conserve this manual to facilitate future maintenance and interventions on the product.

2) Product specifications

2.1) Product description, intended use and technical data

SOON is an electromechanical operator for the automation of sectional doors up to 20 m². Thanks to the cable outlet shaft, it enables simple connection with the spring support shaft of most commercially available sectional doors.

The SOA2 control unit, as well as powering the DC motor, enables optimal control of the gearmotor torque and speed and precise mea-

surement of distances, gradual start-up and closure, and obstacle detection. It is also equipped with a maintenance indicator to enable recording of the manoeuvres performed by the gearmotor during its lifetime.

The release mechanism, activated from the ground, disengages the motor from the reduction unit.

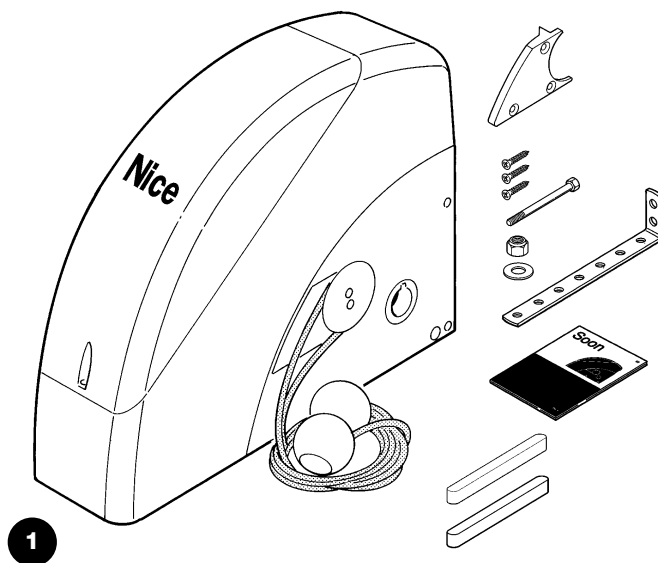
3) Installation feasibility check

Before proceeding with installation, check the condition of the product components, suitability of the selected model and conditions of the intended installation environment.

3.1) Check product components (see fig. 1)

Check the condition of the packaging:
unpack the product and ensure presence of:

- 1 Soon gearmotor
- 1 fixing bracket
- 4 release half-rings
- 2 keys
- 1 M8x130 screw
- 1 M8 locknut
- 1 D8 washer
- 1 gear
- 3 black self-tapping screws
- 1 instruction manual



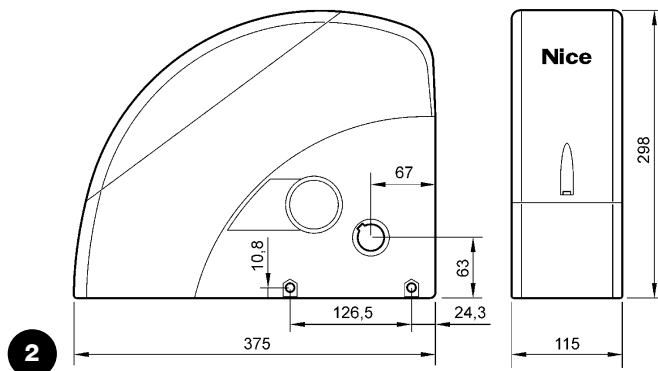
3.2) Check suitability of environment

- Check that the selected site of installation is compatible with the overall dimensions of the Soon model (Fig. 2).
- Check that there are no obstacles along the trajectory of the section door, which could obstruct total opening and closing movements.
- Check that the selected site of installation enables easy and safe execution of manual manoeuvres
- Check that each device to be fixed is positioned on a solid surface protected from the risk of accidental impact.

3.3) Check product application limits (see fig. 2)

Check the application limits of the Soon model and relative accessories to be installed, assessing suitability of the characteristics to meet the requirements of the environment and the limitations specified below.

- Ensure that the size of the sectional door is less than 20 m².
- Ensure that the section door drive shaft is compatible with the Soon outlet shaft, using the keys provided in the pack.
- Ensure that the wall fixing brackets are sufficiently long.



4) Install the various components

⚠ Installation of the automation must be performed exclusively by qualified personnel, in observance of current legislation and standards governing these operations, and according to the instructions in this manual.

4.1) Standard installation layout (see fig. 3)

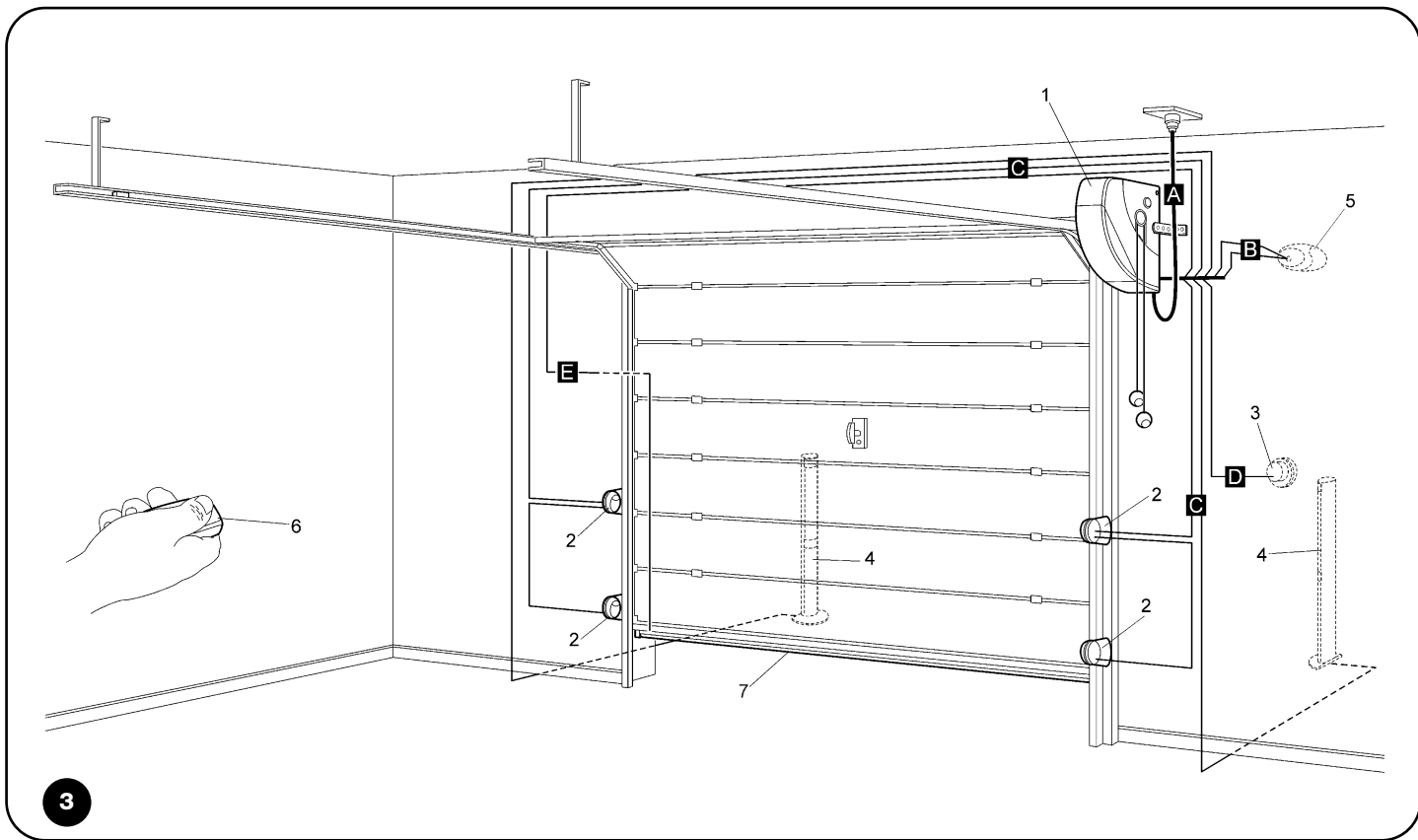
Fig. 3 illustrates the complete installation of a Soon gearmotor. The drawing shows the various components and cables required for connection, all assembled and positioned according to a standard layout.

Key to mechanical components in Fig. 3:

- 1** - Soon gearmotor
- 2** - Photocell
- 3** - Key-operated selector switch
- 4** - Post for photocell
- 5** - Flashing light
- 6** - Transmitter
- 7** - Main edge

Key to electric cables in Fig. 3:

- A** - Electric power line
- B** - Flashing light with aerial
- C** - Photocells
- D** - Key-operated selector switch
- E** - Main edge



3

4.2) Install the mechanical components

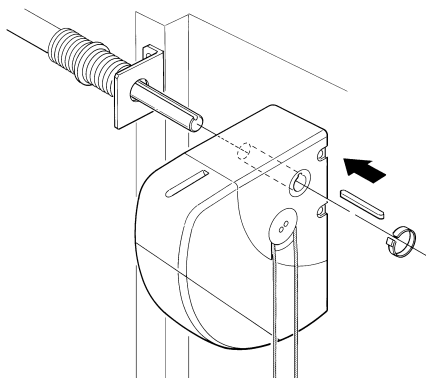
After completing the preliminary installation tasks (such as digging the routes for the electric cables or laying external ducting; possible embedding of pipelines and other preparation work), assembly and installation procedures can be started. complete with all mechanical and electrical components of the Soon gearmotor. Proceed in the order specified below.

Mounting the Soon gearmotor (see Fig. 4)

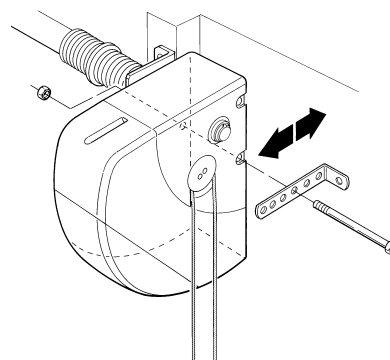
1. (Fig. 4-a) Insert the Soon outlet shaft in the sectional door drive shaft, coupling them using the keys provided in the pack.

Perform this operation with the door CLOSED.

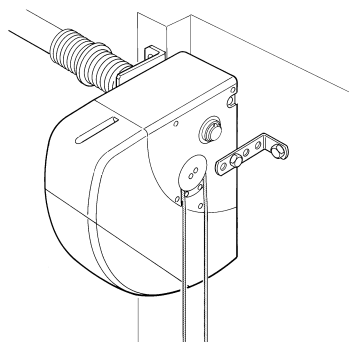
2. (Fig. 4-b) Secure the bracket to the Soon gearmotor by means of the screw, nut and washer supplied.
3. (Fig. 4-c) Fix the bracket to the wall by means of a plug (not supplied) suited to the wall material.
4. (Fig. 4-d) The Soon gearmotor can be installed horizontally using the special gear (supplied) which should be fixed by means of the three screws (supplied) in the position shown in the figure, taking care to position the release mechanism cable outlets correctly.



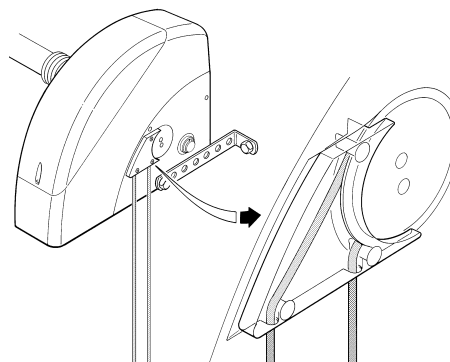
4a



4b



4c



4d

4.3) Laying electric cables (see fig. 3 and table 1)

On completion of installation of all mechanical components, proceed with laying all electric cables required, with reference to Fig. 3 showing the typical location of these cables, and Table 1 which analyses the technical characteristics in detail.

⚠ The cables used for connecting the various devices must be suitable for the type of installation to be obtained: in the case of installation in a covered environment or indoors, use cable type H03VV-F.

ELECTRIC CABLE SPECIFICATIONS

(The letters associated with the cables as indicated also in Fig. 3)

Table 1: cable list

Connection	Cable type	Max. admissible length
A: Electric power line	n° 1 cable (3 x 1.5 mm ²)	30 m (*)
B: Flashing light	n° 1 cable (2 x 1 mm ²)	20 m
C: Aerial	n° 1 shielded cable (type RG58)	20 m (recommended: less than 5 m)
D: Photocell	n° 1 cable (2 x 0.5 mm ²)	30 m
E: Key-operated selector switch	n° 1 cable (4 x 0.5 mm ²)	50 m
F: Mobile edge connection	n° 1 cable (2 x 0.5 mm ²)	20 m

Note: (*) if the power cable is longer than 30 m, a cable with a larger section is required, (e.g. 3 x 2,5 mm²) and safety earthing is necessary in the vicinity of the automation.

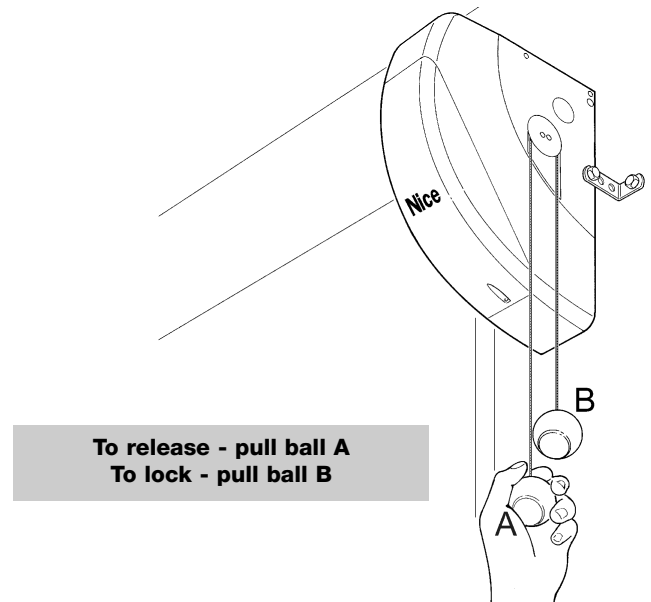
4.4) Manual lock and release procedure

⚠ Refer to this procedure when the text of the manual requires “locking” or “release” of the SOON mechanism.

Note:

The release or locking manoeuvres of the mechanism must be performed exclusively with the gearmotor completely stationary.

- The manual operation must be performed in the event of a power failure, system faults or when expressly requested in the manual.
- Manual release enables free travel of the sectional door.



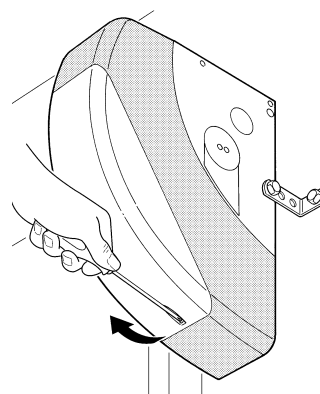
5) Make electrical connections

⚠ To ensure the Safety of the installer and avoid damage to automation components, before making electrical connections or connecting the radio receiver, ensure that the control unit is DISCONNECTED from the mains and any buffer batteries

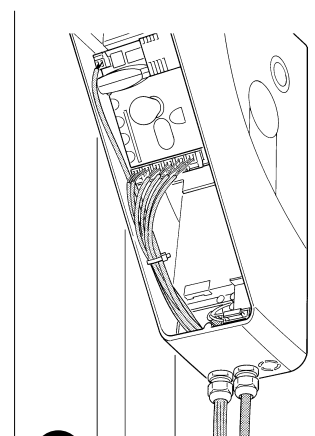
5.1) Connect all devices

All electrical connections must be made with the system disconnected from the power supply

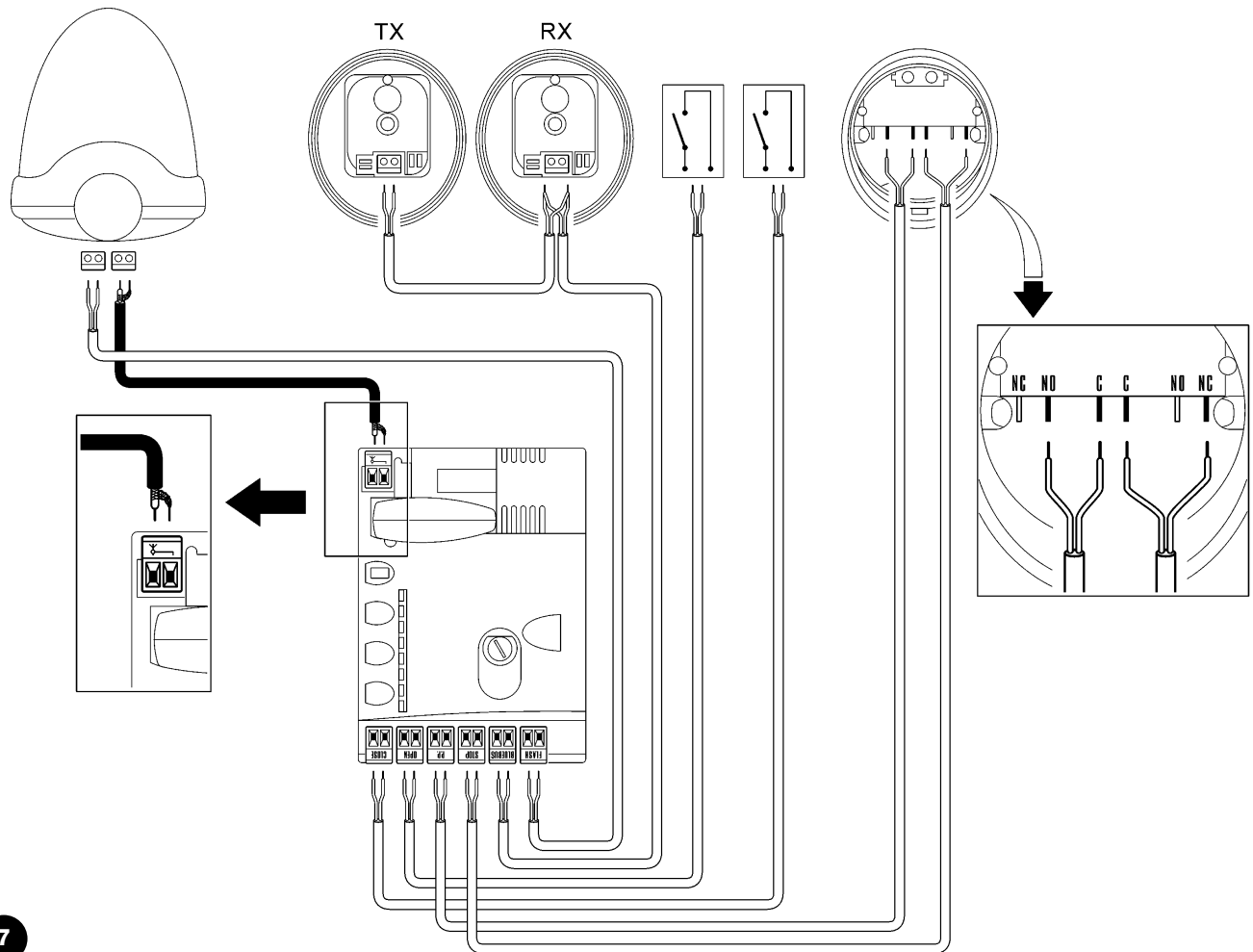
1. To remove the protection cover and access the SOON electronic control unit, remove the screw and pull the cover up-wards to remove (Fig. 5).
2. Loosen the free cable clamp and route the cables through for connection to the control unit terminals. Leave a cable length of 20÷30 cm longer than necessary. See table 1 for the cable types and Fig. 6 for connections.
3. Make cable connections as shown in the diagram of Fig. 7. To facilitate work, the terminals are removable
4. On completion of connections secure the cables by pressing down the cable clamp. The excess aerial cable should be secured to the other cables with a clip.





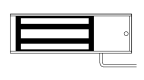
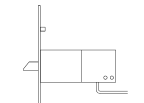
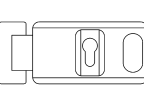
5



6



7

FLASH	this output is programmable (see SECTION 2 of the manual) to connect one of the following devices:
	Flashing light If programmed as “flashing light” the “FLASH” output can be connected to a NICE “LUCY B” flashing light with a 12V 21W car type lamp. During the manoeuvre the light flashes at an interval 0.5s on and 0.5s off
	“Door open indicator” output If programmed as “door open indicator” the “FLASH” output can be connected to a 24V max 5W indicator light for the door open signal. It can also be programmed for other functions; see SECTION 2 of the manual.
	Suction cup* If programmed as “suction cup” the “FLASH” output can be connected to a 24V max 10W suction cup (versions with electromagnet only, without electronic devices). When the door is closed, the suction cup is activated to lock the door in place. During the opening and closing manoeuvre it is deactivated.
	Electric block* If programmed as “electric block” the “FLASH” output can be connected to a max. 24V electric lock with latch (versions with electromagnet only, without electronic devices). During the opening manoeuvre, the electric lock is activated and remains active to free the door and perform the manoeuvre. In the closing manoeuvre ensure that the electric block re-engages mechanically.
	Electric lock* If programmed as “electric lock” the “FLASH” output can be connected to a 24V max 10W electric lock with latch (versions with electromagnet only, without electronic devices). During the opening manoeuvre, the electric lock is activated for a brief interval to free the door and perform the manoeuvre. In the closing manoeuvre ensure that the electric lock re-engages mechanically.
BLUEBUS	This terminal enables the connection of compatible devices; all are connected in parallel with just two wires conveying the electric power and communication signals. More information on BlueBUS is available in paragraph “5.2 - Connect the BlueBUS devices”.
STOP	Input for devices that block or shut down the manoeuvre in progress; by setting the input accordingly, it is possible to connect Normally Closed type contacts, Normally Open contacts, constant resistance or optical devices. More information on STOP is available in paragraph “5.3 - Connect devices to the STOP input”.
SS	Input for devices that control movement in Step-Step mode, enabling the connection of Normally Open contacts.
OPEN	Input for devices that control opening movement only, enabling the connection of Normally Open contacts.
CLOSE	Input for devices that control closing movement only, enabling the connection of Normally Open contacts.
AERIAL	input for connection of the aerial for the radio receiver (the aerial is incorporated on LUCY B)

* Only devices containing exclusively the electromagnet can be connected.

⚠ Never use devices other than those specified

5.2) Connect bluebus devices

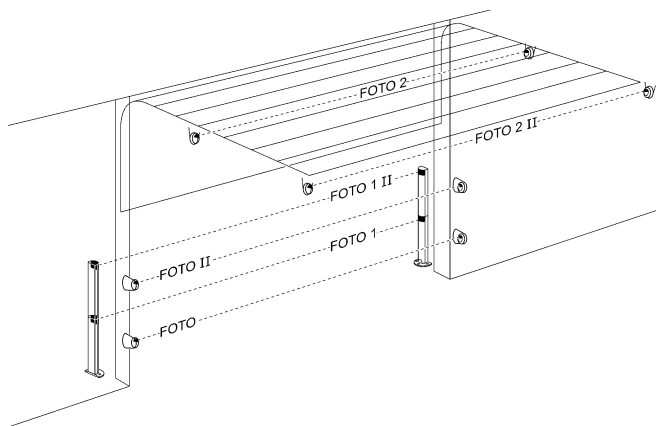
BlueBUS is a technology that enables the connection of compatible devices with just two wires conveying the electric power and communication signals. All devices are connected in parallel on the same 2 BlueBUS wires, without the need to observe polarity; each device is recognised individually as it is assigned with an exclusive address during installation. BlueBUS can be used, for example, to connect the following: photocells, safety devices, control pushbuttons, indicator lamps, etc. The SOON control unit recognises each one of the devices connected by means of a specific self-learning phase and is

able to detect all possible faults in maximum safety and with the utmost precision. For this reason each time a device is connected to or removed from BlueBUS the self-learning phase must be repeated, as described in paragraph "7.1 - Memorising devices".

5.2.1) Photocells

The "BlueBUS" system enables, by means of address assignment using the specific jumpers, recognition of the photocells by the control unit and assignment of the correct detection function. The address assignment procedure is performed both on the TX and RX (setting the jumpers in the same way) and ensuring that there are no other pairs of photocells with the same address.

On an automation for sectional doors with a SOON gearmotor, photocells can be installed as shown in Fig. 8. After installation the self-learning phase must be repeated on the control unit, as described in paragraph "7.1 - Memorising devices".



8

Table 2: photocell addresses

Photocell	Jumpers	Photocell	Jumpers
PHOTO Photocell h = 50 With activation on closing		PHOTO 2 Photocell With activation on opening	
PHOTO II Photocell h = 100 With activation on closing		PHOTO 2 II Photocell With activation on opening	
PHOTO 1 Photocell h = 50 With activation on closing and opening		PHOTO 3 CONFIGURATION NOT ADMITTED	
PHOTO 1 II Photocell h = 100 With activation on closing and opening			

5.2.2) Photosensor ft210b

Photosensor FT210B combines in a single device a force limitation system (type C to the standard EN12453) and a presence detector that detects obstacles on the optic axis between the transmitter TX and receiver RX (type D to standard EN12453). On photosensor FT210B the signals of the sensitive edge status are sent via the photocell beam, integrating the 2 systems in a single device. The transmitting section on the mobile leaf is battery-powered, thus eliminating unsightly connection system; special circuits reduce battery consumption to guarantee a lifetime of up to 15 years (see details of the estimated lifetime in the product instructions).

A single FT210B device combined with a sensitive edge (e.g. TCB65)

enables the safety level of the "main edge" as required by the standard EN12453 for any "type of use" and "type of activation". Photosensor FT210B combined with "resistive" sensitive edges (8,2Kohm), is safe with single faults (class 3 to standard EN 954-1). It is equipped with a special anti-collision circuit to prevent interference with other detectors, even not synchronised, and enables the addition of other photocells; for example in the case of transit of heavy vehicles where a second photocell is normally positioned at 1 m from the ground. For further information on connection methods and address assignment, see the instruction manual for FT210B.

5.3) Connect devices to stop input

STOP is the input that causes immediate shutdown of the movement followed by a brief inversion of the manoeuvre. This input can be connected to devices with an output for NO normally open contact, NC normally closed contact, constant resistance 8,2KΩ or optical devices, such as sensitive edges.

As in the case of BlueBUS, the control unit recognises the type of device connected to the STOP input during the self-learning phase (see paragraph "7.1 - Memorising devices"); after which a STOP

command is activated whenever a variation with respect to the learned status is detected.

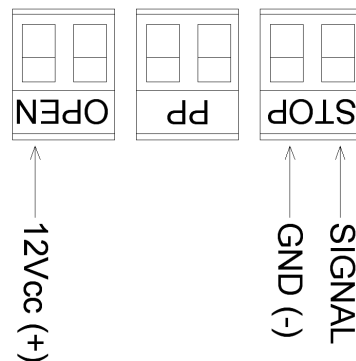
When set accordingly, more than one device can be connected to the STOP input, also different from one another:

- Several NO devices can be connected in parallel with no limit to number.

- Several NC devices can be connected in parallel with no limit to number.
- Two devices with constant resistance 8,2KΩ can be connected in parallel; if there are more than 2 devices then all must be connected in cascade, with a single terminating resistance of 8,2KΩ.
- NO and NC combinations are possible by placing the 2 contacts in parallel, taking care to place a 8,2KΩ resistance in parallel to the NC contact (thus enabling the combination of 3 devices: NO, NC and 8,2KΩ).

⚠ If the STOP input is used to connect devices with safety functions, only devices with the constant resistance 8,2KΩ output or OPTO SENSOR optical devices guarantee safety class 3 against faults, according to standard EN 954-1.

For connection of an OPTO SENSOR type optical device, make connections as shown in Fig. 9:



9

5.4) Connect electrical power supply

For electrical power supply of SOON, simply insert the plug in a mains socket. If necessary, use a commercially available adapter if the SOON plug does not correspond to the mains socket available.

6) Initial system start-up - checks

⚠ The following operations will be performed on live electrical circuits and therefore manoeuvres may be hazardous! Therefore take great care and never perform operations alone.

On completion of component installation and electrical connections, a number of simple checks must be made to ensure correct operation of the system operation, before proceeding. Perform the following operations as specified and cross off the points as conformity of results is verified.

6.1) Operating test

As soon as SOON is powered up, proceed as follows:

- Check that the BlueBUS led flashes regularly at the frequency of one flash per second.
- If photocells are present, ensure that the relative leds are also flashing (both on TX and RX); the type of flash is not significant, as this depends on other factors.
- Check that the device connected to the FLASH output is off.
- Check that the courtesy light is off.

If none of these conditions occur, disconnect the power supply immediately and check the electrical connections thoroughly.

7) Memorising devices and positions

7.1) Memorising devices

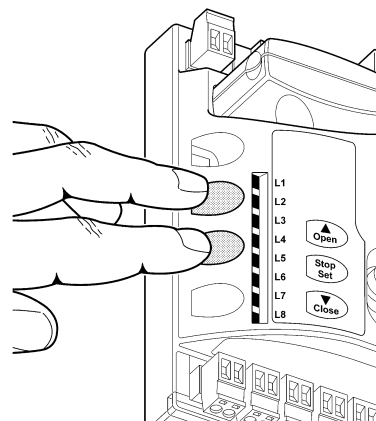
After connecting to the power supply, the control unit must recognise the devices connected to the inputs BlueBUS and STOP. Before this phase, leds L1 and L2 flash to indicate that the device self-learning process must be performed.

⚠ The device self-learning phase must be performed even if no device is connected

1. Press and hold keys **[▲]** and **[Set]**
2. Release the keys when leds L1 and L2 start to flash quickly (after around 3s)
3. Wait a few seconds for the control unit to finish device self-learning.

At the end of the self-learning process, the STOP led must remain lit, while leds L1 and L2 turn off (where relevant leds L3 and L4 start flashing).

The phase of self-learning the devices connected can be repeated at any time also after installation, such as in the case that a device is added.



10

7.2) Memorising positions

After self-learning the devices, the control unit must recognise the door opening and closing positions. Up to 6 positions can be programmed as follows:

Position	Meaning
A1	Maximum required opening position. When the door reaches this position it stops.
RA1	Slowdown start position during opening manoeuvre. When the door reaches this position the motor decelerates to the minimum speed.
RINT	Intermediate slowdown position in closing manoeuvre. When this point is programmed, the door starts to decelerate at approx. 50 cm beforehand, to pass the position RINT to minimum speed. On passing the RINT position the motor returns to the set speed.
AP	Partial opening position. This is the position at which the door stops after receiving a partial opening command.
RA0	Slowdown start position during closing manoeuvre. When the door reaches this position the motor decelerates to the minimum speed.
A0	Maximum closing position. When the door reaches this position it stops.

When the positions have not been acquired, leds L3 and L4 flash.

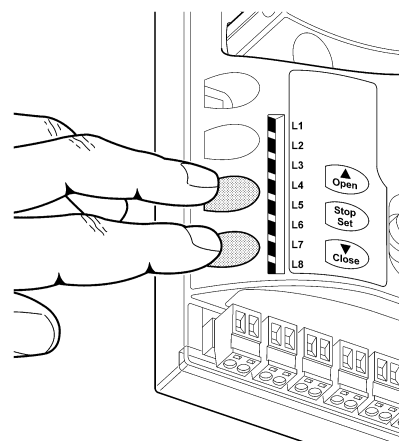
The position memorisation procedure is described below: Positions A1 and A0 must be programmed, while the other positions can be skipped. In the latter case, they are calculated automatically by the control unit.

1.	Press [Set] + [▼] for 3 seconds to enter in position memorisation mode.
Led 1 flashes: Position A1 programming	
2.	Use keys [▲] or [▼] to move the door to the maximum opening position.
3.	Press [Set] for 2 seconds to confirm position A1. Led L1 remains lit.
Led 2 flashes: Position RA1 programming	
4.	If the opening slowdown position programming is not required, press the key [Set] twice quickly to skip to the next programming; led L2 remains off. Otherwise proceed with the sequence.
5.	Use keys [▲] or [▼] to move the door to the opening deceleration position.
6.	Press [Set] for 2 seconds to confirm position RA1. Led L2 remains lit.
Led L4 flashes: Position RINT programming	
7.	If the intermediate slowdown position programming is not required, press the key [Set] twice quickly to skip to the next programming; led L4 remains off. Otherwise proceed with the sequence.
8.	Use keys [▲] or [▼] to move the door to the intermediate deceleration position.
9.	Press [Set] for 2 seconds to confirm position RINT. Led L4 remains lit
Led L5 flashes: Position RAP programming	
10.	If the partial opening position programming is not required, press the key [Set] twice quickly to skip to the next programming; led L5 remains off. Otherwise proceed with the sequence
11.	Use keys [▲] or [▼] to move the door to the partial opening position.
12.	Press [Set] for 2 seconds to confirm position RAP. Led L5 remains lit
Led L7 flashes: Position RAO programming	
13.	If the closing slowdown position programming is not required, press the key [Set] twice quickly to skip to the next programming; led L7 remains off. Otherwise proceed with the sequence
14.	Use keys [▲] or [▼] to move the door to the closing deceleration position.
15.	Press [Set] for 2 seconds to confirm position RAO. Led L7 remains lit.
Led L8 flashes: Position A0 programming	
16.	Use keys [▲] or [▼] to move the door to the maximum closing position.
17.	Press [Set] for 2 seconds to confirm position A0. Led L8 remains lit.
18.	On release of [Set] all leds turn off.
19.	Give an open command by pressing [Open] to execute a complete opening manoeuvre.
20.	Give a close command by pressing [Close] to execute a complete closing manoeuvre.

During these manoeuvres, the control unit memorises the force required for the opening and closing movements

It is important that these preliminary manoeuvres are not interrupted for example by a STOP command.

The position learning phase can be repeated at any time also after installation, by simply repeating the procedure from point 1. However, if only one position needs to be modified, repeat the sequence from point 1 and skip programming of the positions not involved by pressing the key **[Set]** twice quickly for each position to skip.



8) Perform final testing of system

8.1) Final testing

Each component of the automation, such as the sensitive edges, photocells, emergency stop, etc., requires a specific testing phase; for these devices the specific procedures in the respective instruction manuals must be performed. To test SOON proceed as follows:

1. Ensure that all specifications in chapter 1 "WARNINGS" have been observed.
2. Release the door from the motor by pulling the release cord down. Check that the door can be moved manually in opening and closing with a maximum force of 225N.
3. Lock the door to the motor by pulling the locking cord down.
4. Using the selector or radio transmitter, perform door opening and closing tests and ensure that the movement corresponds to specifications.
5. Test several times to assess smooth operation of the door and check for any defects in assembly or adjustment and any possible points of friction.
6. Check operation of all system safety devices one at a time (photocells, sensitive edges, etc.) In particular, each time a device is activated the "BlueBUS" led on the control unit must flash rapidly twice to confirm acknowledgement of the event.
7. To check the photocells, and in particular to ensure there is no interference with other devices, pass a cylinder with diameter of 5cm and length 30cm on the optical axis, first close to the TX, then close to the RX and lastly at the centre between the two and ensure that in all cases the device engages, changing from the active status to alarm status and vice versa, and that the envisaged action is generated on the control unit, for example: in the closing manoeuvre it inverts movement.
8. If hazardous situations generated by the moving door are protected by means of impact force limitation, measure the force as specified in the standard EN 12445. If speed and motor force controls are used as auxiliary functions with the system for reduction of impact force, test and identify the setting that obtains the best results.

8.2) Commissioning

Commissioning can only be performed after positive results of all test phases on Soon and the other devices present. Partial or "makeshift" commissioning is strictly prohibited.

1. The prepared automation technical documentation should be conserved for at least ten years and must contain at least the following: overall drawing of the automation, electrical wiring diagram, risk assessment and relative solutions adopted, manufacturer's declaration of conformity for all devices used (in the case of Soon, use the EC declaration of conformity enclosed); copy of the operation instruction manual and maintenance schedule for the automation.
2. Affix a dataplate on the door, specifying at least the following data: type of automation, name and address of manufacturer (responsible for commissioning), serial number, year of construction and CE mark
3. Permanently affix a label or plate in the vicinity of the door, indicating the operations for door release and manual manoeuvres.
4. Permanently affix a label or plate on the door, bearing this image (min. height 60 mm).
5. Prepare and provide the owner with the declaration of conformity of the automation.
6. Prepare and provide the owner with a the manual "Automation operation instructions and warnings".
7. Prepare and provide the owner with the automation maintenance schedule (containing all prescriptions for maintenance of individual devices).
8. Before commissioning the automation, ensure that the owner is adequately informed in writing (such as in the automation instruction and warning manual) of all associated risks and hazards.



9) Instructions for personalised automation operation

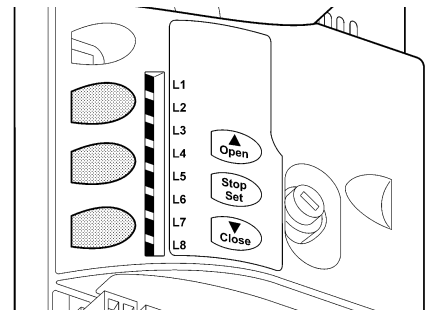
SECTION 2 describes how to personalise operation of the automation, by means of settings and options to be memorised in the control unit. The final section is dedicated to troubleshooting, maintenance and disposal of the product.

9.1) Programming keys

The SOON control unit is fitted with 3 keys which can be used both for the control of the unit during testing and the programming pro-cedure:

OPEN ▲	The "OPEN" key enables the user to open the door or scroll up through the programming steps
STOP SET	The "STOP" key enables the user to stop the manoeuvre, or when pressed for 5 seconds enables access to programming mode.
CLOSE ▼	The "CLOSE" key enables the user to close the door or scroll down through the programming steps

12



10) Settings

The SOON control unit is equipped with a number of programmable functions; function settings are entered by means of the 3 keys on the control unit: [▲] [Set] [▼] and are displayed by means of 8 leds: **L1....L8**.

The programmable functions available on SOON are divided into 2 levels:

Level 1: functions settable in ON-OFF mode (enabled or disabled); in this case each led **L1....L8** indicates a function, if lit the function is enabled, if off the function is disabled; see Table 3.

Level 2: parameters settable on a scale of values (from 1 to 8); in this case each led **L1....L8** indicates a set value from the possible 8; see Table 4.

10.1) Level 1 functions

Table 3: list of programmable functions: level 1

Led	Function	Description
L1	Automatic closure	This function enables automatic closure of the gate after a set pause time; by default the Pause Time is set at 30 seconds, but can be modified to 10, 20, 40, 60, 80, 120, 160 or 200 seconds. If the function is disabled, operation is "semiautomatic".
L2	Close After Photo	This function enables the system to keep the door open only for the time required for transit, in fact activation of "Photo" always causes automatic closure with a pause time of 5s (regardless of the set value) The behaviour changes according to whether the function "Automatic closure" is enabled or disabled. With "Automatic closure" disabled: the door always reaches the totally open position (even if Photo is disengaged beforehand). On release of Photo, automatic closure is activated with a pause of 5s. With "Automatic closure" enabled: the opening manoeuvre stops immediately after release of the photocells and automatic closure is activated with a pause of 5s. The function "Close After Photo" is always disabled in manoeuvres interrupted by means of a Stop command. If the function "Close After Photo" is disabled, the pause time is as set; otherwise there is no auto-matic closure if the function is disabled.
L3	Always Close	The function "Always Close" is activated, causing closure, when an open door is detected on restoral of power supply. For safety reasons, the manoeuvre is preceded by a 3-second pre-flashing interval. If the function is disabled, the door remains stationary on restoral of power.
L4	Stand-By	This function enables reduction of consumption to a minimum. If this function is enabled, 1 minute after completion of the manoeuvre the control unit turns off the BlueBUS output (and therefore the devices) and all leds, with the exception of the BlueBUS led, which flashes at a slower speed. When the control unit receives a command it restores full operating conditions. If the function is disabled, no reduction in consumption is enabled.
L5	Long inversion	This function enables the selection of the type of inversion executed by the door after activation of a STOP command or the force limiter device. If the function is disabled, inversion is short (approx. 15cm). If the function is enabled, inversion continues through to the maximum opening or closing position.
L6	Preflashing	The pre-flashing function is added to a pause of 3s between activation of the flashing light and the start of the manoeuvre to warn of a hazardous situation. If preflashing is disabled, activation of the flashing light coincides with the start of the manoeuvre.
L7	Sensitivity	This function enables a significant increase in sensitivity of the motor for obstacle detection. If used in support of detection of the impact force, the parameters "Speed" and "Motor force" must also be set in the level 2 menu.
L8	Compensation	This function enables recovery of the extension over time of the metal tops of the door and is subordinate to the use of a 8,2KΩ resistive type sensivie edge or OSE optic sensor.

During normal operation of SOON, when no manoeuvre is in progress, leds **L1....L8** are lit or off depending on the status of the associated function, for example **L1** is lit if the function "Automatic closure" is enabled.

10.2) Level 1 programming

By default level 1 function are all set to OFF, but can be modified at any time as described below. Take care during modification procedures, as there is a maximum time interval of 10 seconds between pressing one key and another; otherwise the system exits the procedure automatically memorising the changes made up to that time.

1. Press and hold **[Set]** for approx. 3s
2. Release **[Set]** when led L1 starts flashing.
3. Press keys **[▲]** or **[▼]** to move the flashing led to the led associated with the function to be modified
4. Press **[Set]** to change the status of the function (short flash = OFF; long flash = ON)

Wait 10s to exit the programming mode automatically after the maximum time interval.

Note: points 3 and 4 can be repeated during the same program-ming phase to set other functions to ON or OFF.

10.3) Level 2 Functions (settable parameters)

Table 4: list of programmable functions: level 2

Input Led	Parameter	Led (level)	Value	Description
L1	Pause Time	L1	10 seconds	Sets the pause time, i.e. the time before automatic closure. Applied only when auto-matic closure function is enabled
		L2	20 seconds	
		L3	40 seconds	
		L4	60 seconds	
		L5	80 seconds	
		L6	120 seconds	
		L7	160 seconds	
		L8	200 seconds	
L2	Funzione P.P.	L1	Open - stop - close - stop	Sets the sequence of commands associated with the SS input or the 1st radio command.
		L2	Open - stop - close- open	
		L3	Open - close - open - close	
		L4	Apartment block	
		L5	Apartment block 2 (more than 2" generates stop)	
		L6	Step-step 2 (less than 2" generates partial open)	
		L7	Hold-to-run	
		L8	Opening in "semiautomatic", closure in "hold-to-run"	
L3	Motor speed	L1	Speed 1 (30% - slow)	Sets the motor speed during normal travel.
		L2	Speed 2 (44%)	
		L3	Speed 3 (58%)	
		L4	Speed 4 (72%)	
		L5	Speed 5 (86%)	
		L6	Speed 6 (100% - fast)	
		L7	Open V4, close V2	
		L8	Open V6, close V4	
L4	FLASH output.i	L1	Door Open Indicator	Selects the device connected to the FLASH output.
		L2	Active if door closed	
		L3	Active if door open	
		L4	Flashing light	
		L5	Electric block	
		L6	Electric lock	
		L7	Suction cup	
		L8	Maintenance indicator	
L5	Motor Force on opening	L1	Force 1 (low)	Sets the system for controlling motor force, to adapt it to the weight of the door during the opening manoeuvre.
		L2	Force 2	
		L3	Force 3	
		L4	Force 4	
		L5	Force 5	
		L6	Force 6	
		L7	Force 7	
		L8	Force8 (high)	
L6	Motor Force on closing	L1	Force 1 (low)	Sets the system for controlling motor force, to adapt it to the weight of the door during the closing manoeuvre.
		L2	Force 2	
		L3	Force 3	
		L4	Force 4	
		L5	Force 5	
		L6	Force 6	
		L7	Force 7	
		L8	Force8 (high)	

Note: "■" represents factory settings

SEGUE

Input Led	Parameter	Led (level)	Value	Description
L7	Maintenance notification	L1	Automatic (based on gravity of manoeuvre)	Controls the number of manoeuvres after which the automation maintenance notification signal is sent (see paragraph "13 Maintenance notification").
		L2	1.000	
		L3	2.000	
		L4	4.000	
		L5	6.000	
		L6	8.000	
		L7	10.000	
		L8	12.000	
L8	Fault log list	L1	Result of 1 st manoeuvre (most recent)	Enables the user to check the type of faults occurring in the last 8 manoeuvres (see paragraph "14 Fault log list").
		L2	Result of 2 nd manoeuvre	
		L3	Result of 3 rd manoeuvre	
		L4	Result of 4 th manoeuvre	
		L5	Result of 5 th manoeuvre	
		L6	Result of 6 th manoeuvre	
		L7	Result of 7 th manoeuvre	
		L8	Result of 8 th manoeuvre	

Note: "■" represents factory settings

All parameters can be adjusted as required without any contraindications, only the "Motor force on opening" and "Motor force in closing" may require special attention:

- Use of high force values are not recommended to compensate for the fact that the leaf has anomalous points of friction; excessive force may impair the safety system and damage the leaf.
- If the "Motor force control" is used in support of the system for impact force reduction, after each adjustment the force measurement procedure must be performed, as envisaged by standard EN 12445.
- Wear and atmospheric conditions influence movement of the gate; and force settings should be checked periodically.

10.4) Level 2 programming

By default the settable parameters are set as shown in Table 4 with: "■" but can be modified at any time as described below. Take care during modification procedures, as there is a maximum time interval of 10 seconds between pressing one key and another; otherwise the system exits the procedure automatically memorising the changes made up to that time.

1. Press and hold **[Set]** for approx. 3s
2. Release **[Set]** when led L1 starts flashing.
3. Press keys **[▲]** or **[▼]** to move the flashing led to the "in-put led" associated with the parameter to be modified
4. Press and hold **[Set]** during steps 5 and 6
5. Wait approx. 3s after which the led associated with the current level of the parameter to be modified will light up.
6. Press keys **[▲]** or **[▼]** to move the led associated with the parameter value
7. Release **[Set]**

Wait 10s to exit the programming mode automatically after the maximum time interval.

Note: points 3 to 7 can be repeated during the same programming phase to modify other parameters.

11) Maintenance notification

SOON enables the user to be notified when a maintenance check needs to be performed on the automation. The number of manoeuvres after which the signal can be enabled is selectable from 8 levels, by means of the modifiable parameter "Maintenance notification" (see Table 4).

Adjustment level 1 is "automatic" and takes into account manoeuvre stress, i.e. force and duration of the manoeuvre, while the other adjustments are set on the basis on the number of manoeuvres.

The maintenance requirement notification is via the flashing light or the maintenance indicator, depending on the relative settings (see Table 4). On the basis of the number of manoeuvres performed with respect to the programmed limit, the Flash flashing light and maintenance indicator activate the signals as described in Table 5.

Table 5: maintenance notification signal with Flash and maintenance indicator

Number of manoeuvres	Signal on Flash	Signal on maintenance indicator
Less than 80% of the limit	Normal (0.5s on, 0.5s off)	On for 2s at the start of opening
Between 81 and 100% of the limit	At the start of the manoeuvre, remains lit for 2s then proceeds normally	Flashes throughout manoeuvre
Over 100% of the limit	At the start of the manoeuvre, remains lit for 2s then proceeds normally	Flashes continuously.

11.1) Check of number of manoeuvres performed

The function "Maintenance notification" enables the user to check the number of manoeuvres performed as a percentage of the set limit. To check, proceed as follows:

1. Press and hold **[Set]** for approx. 3s
2. Release **[Set]** when led L1 starts flashing.
3. Press keys **[▲]** or **[▼]** to move the flashing led to L7, i.e. the "input led" associated with the parameter to be "Maintenance notification"
4. Press and hold **[Set]** during steps 5, 6 and 7
5. Wait approx. 3s after which the led associated with the current level of the parameter "Maintenance notification" will light up.
6. Briefly press keys **[▲]** and **[▼]**.
7. The led corresponding to the selected level flashes a few times. The number of flashes indicates the percentage of manoeuvres performed (in multiples of 10%) with respect to the set limit. For example: when the maintenance notification is set on L7 i.e. 10000, 10% corresponds to 1000 manoeuvres; if the indicator led flashes 4 times, this means that 40% of the maximum number of manoeuvres has been reached (i.e. between 4000 and 4999 manoeuvres). If 10% has not yet been reached, the led does not flash at all.
8. Release **[Set]**

11.2) Manoeuvre counter reset

After performing system maintenance the manoeuvre counter must be reset. Proceed as described in table:

1. Press and hold **[Set]** for approx. 3s
2. Release **[Set]** when led L1 starts flashing.
3. Press keys **[▲]** or **[▼]** to move the flashing led to L7, i.e. the "input led" associated with the parameter "Maintenance notification"
4. Press and hold **[Set]** during steps 5 and 6
5. Wait approx. 3s after which the led associated with the current level of the parameter "Maintenance notification" will light up.
6. Press and hold keys **[▲]** and **[▼]** for at least 5 seconds, then release. The led corresponding to the selected level shows a series of quick flashes to indicate that the manoeuvre counter has been reset.
7. Release **[Set]**

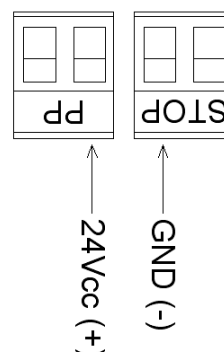
12) Fault log list

SOON enables the display of any faults that have occurred in the last 8 manoeuvres, for example interruption of a manoeuvre due to activation of a photocell or sensitive edge. To check the list of faults, proceed as follows:

1. Press and hold **[Set]** for approx. 3s
2. Release **[Set]** when led L1 starts flashing.
3. Press keys **[▲]** or **[▼]** to move the flashing led to L8, i.e. the "input led" associated with the parameter "Fault log"
4. Press and hold **[Set]** during steps 5 and 6
5. Wait approx. 3s after which the leds corresponding to the manoeuvres subject to faults will light up. Led L1 indicates the result of the most recent manoeuvre, while led L8 indicates the result of the eighth manoeuvre. If the led is lit this means that faults have occurred during the manoeuvre; if off this means that the manoeuvre was completed without faults.
6. Press the keys **[▲]** and **[▼]** to select the required manoeuvre: The corresponding led emits a number of flashes equal to those normally emitted by the flashing light after a fault.
7. Release **[Set]**

13) Connecting other devices

If external devices need to be powered, such as a proximity reader for transponder badges or the lighting of a key-operated selector switch, power can be supplied as shown in figure 12. The supply voltage is 24Vcc -30% ÷ +50% with maximum available current of 100mA.



14) Further details: special functions

14.1) “Always open” function

The “always open” function is a feature of the control unit that enables continuous activation of an opening manoeuvre when the “Step-by-step” command lasts more than 2 seconds; this can be useful for example to connect the SS terminal with the contact of a programme clock to keep the gate open during a specific time band. This feature is valid regardless of the setting of the input SS with exception of the setting as “Apartment block 2”, see parameter “Function SS” in Table 4.

14.2) “Move anyway” function

In the event that a safety device malfunctions or is out of service, the gate may still be moved in “hold-to-run” mode. For details, refer to the paragraph “Control with safety devices out of service” in the enclosure “Instructions and warnings for the SOON gearmotor user”.

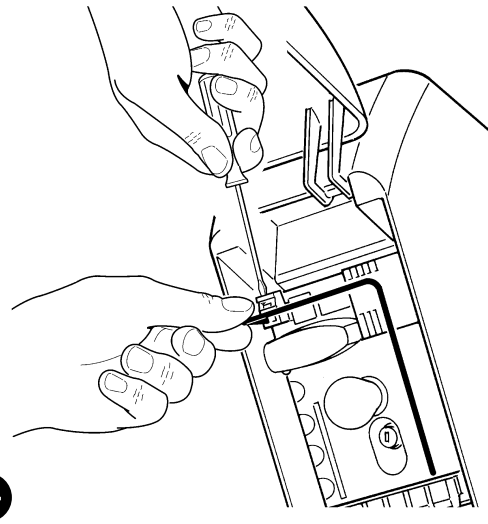
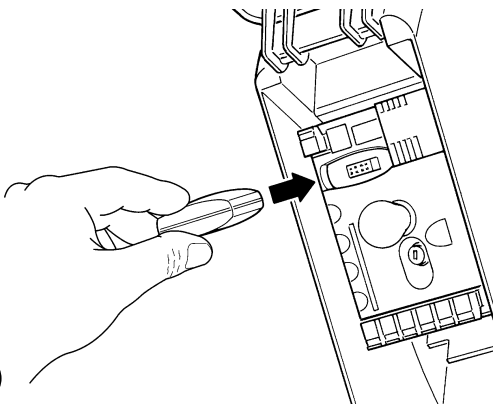
15) Automation operation by means of transmitter and “SM” radio receiver

The Control unit is fitted with a connector specially for the installation of a radio receiver with “SM” type connection (Fig. 13), to control the automation using a radio transmitter (receiver and transmitter are optional accessories). The four Outputs of the Receiver enable delivery of the following commands to the control unit:

Table 6: commands with receiver SMXI, SMXIS

Output N°1	“SS” command (Step-Step)
Output N°2	“Partial open” command
Output N°3	“Open” command
Output N°4	“Close” command

If the aerial incorporated in LUCYB or other type of external aerial is not used, screw the rigid cable supplied with the receiver onto the aerial terminal (Fig. 14).



16) Automatic fault finding and diagnostics

During normal operation, the control unit constantly monitors the automation processes and is designed to indicate any faults that arise, by means of a pre-set sequence of flashes emitted by the flashing light, courtesy light and the “BlueBUS Led” (the diagnostics flashes always refer to the last action performed by Soon) For an explanation of the number of flashes and associated cause, refer to the table below:

Table 7: diagnostics flash signals

n° flash	Cause
1	BlueBUS synchronisation error
2	Activation of Photocell or Phototest error
3	Gearmotor force insufficient or obstacle detected during travel
4	Stop device activation
5	Memory parameter error
6	Internal manoeuvre limiter activation
7	Power failure on motor circuits
8	Overcurrent on motor circuits

17) What to do if... (Troubleshooting guide)

This is a small guide to solving the most common problems that may arise during installation and programming of the automation.

- **...no manoeuvre is activated and the "BlueBUS" led does not flash**

- Ensure that Soon is powered from a 230V mains. Ensure that fuses F1 and F2 (Fig. 15) are not blown; in this case, identify the cause of the fault and then replace with versions of the same current value and specifications.

- **...no manoeuvre is activated and the flashing light is off**

- Check that the command is effectively received. If the command is delivered to the input SS the relative "SS" led must light up; otherwise if the radio transmitter is used, the "BlueBUS" led flashes quickly twice.

- **...the manoeuvre does not start and the courtesy light flashes a few times**

Count the number of flashes and check with reference to the data in Table 7.

- **...a brief inversion is activated during the manoeuvre**

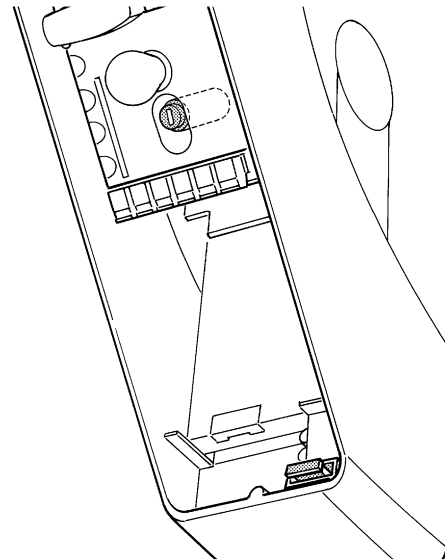
- The selected force may be too low to move the door. Check whether there are any obstacles, and if necessary select a higher force.
- Check whether a safety device connected to the STOP input has tripped.

- **...the manoeuvre is executed by the device connected to the FLASH output does not work**

- Check that the device connected to the FLASH output is effectively the one programmed
- Check that when the device should be powered that there is voltage present on the device terminal; if voltage is present, the problem is caused by the device, which should be replaced with one of the same characteristics. If no voltage is present, this means that there is an electric overload on the output. Check that there are no short circuits on the cable

- **...during the position memorisation phase led L1 or led L8 flashes quickly**

- This means that the upper overtravel limit position has been reached (L1 flashing quickly) or lower overtravel limit (L8 flashing quickly).
- If led L1 flashes, perform a closing manoeuvre until L1 stops flashing quickly. Then detach Soon from the spring support shaft, open the door to the maximum position and re-install Soon in this position.
- If led L8 flashes, perform an opening manoeuvre until L8 stops flashing quickly. Then detach Soon from the spring support shaft, close the door to the maximum position and re-install Soon in this position.



15

18) Disposal

As in installation, also at the end of product lifetime, the disassembly and scrapping operations must be performed by qualified personnel.

This product is made up of various types of materials: some may be recycled, and others must be disposed of. Seek information on the recycling and disposal systems envisaged by the local regulations in your area for this product category.

⚠ Some parts of the product may contain pollutant or hazardous substances which, if disposed of into the environment, may cause serious damage to the environment or physical health.

As shown by the symbol in Fig. 16, disposal of this product in domestic waste is strictly prohibited. Separate the waste into categories for disposal, according to the methods envisaged by current legislation in your area, or return the product to the retailer when purchasing a new version.

⚠ Local legislation may envisage serious fines in the event of abusive disposal of this product.



16

Soon

Sommario

pag.

Istruzioni per installare e avviare l'automazione		19
1	Operare in condizioni di sicurezza	19
1.1	Precauzioni e avvertenze per la sicurezza	19
2	Conoscere le caratteristiche del prodotto	19
2.1	Descrizione del prodotto, destinazione d'uso e caratteristiche tecniche	19
3	Valutare la fattibilità dell'installazione	20
3.1	Verificare i componenti del prodotto	20
3.2	Verificare l'idoneità dell'ambiente	20
3.3	Verificare i limiti d'impiego del prodotto	20
4	Installare i vari componenti	20
4.1	Schema tipico di installazione	20
4.2	Installare i componenti meccanici	21
4.3	Posa dei cavi elettrici	22
4.4	Procedura manuale di blocco e sblocco	22
5	Effettuare i collegamenti elettrici	22
5.1	Collegare tutti i dispositivi	22
5.2	Collegare i dispositivi BlueBUS	24
5.2.1	Fotocellule	24
5.2.2	Fotosensore FT210B	24
5.3	Collegare dispositivi all'ingresso STOP	24
5.4	Collegare l'alimentazione elettrica	25
6	Prima accensione dell'impianto - verifiche	25
6.1	Test di funzionamento	25
7	Memorizzazione dispositivi e posizioni	25
7.1	Memorizzazione dispositivi	25
7.2	Memorizzazione delle posizioni	26
8	Effettuare il collaudo finale dell'impianto	27
8.1	Test per il collaudo finale	27
8.2	Messa in servizio	27

9	Istruzioni per personalizzare il funzionamento dell'automazione	28
9.1	Tasti di programmazione	28
10	Programmazioni	28
10.1	Funzioni primo livello	28
10.2	Programmazioni primo livello	29
10.3	Funzioni secondo livello (parametri regolabili)	29
10.4	Programmazioni secondo livello	30
11	Avviso di manutenzione	30
11.1	Verifica del numero di manovre effettuate	31
11.2	Azzeramento contatore manovre	31
12	Elenco storico anomalie	31
13	Collegamento altri dispositivi	31
14	Approfondimenti: funzioni particolari	32
14.1	Funzione "Apri sempre"	32
14.2	Funzioni "Muovi comunque"	32
15	Funzionamento dell'automazione tramite trasmettitore e ricevitore-adio con innesto tipo "SM"	32
16	Controllo e diagnosi delle anomalie di funzionamento	32
17	Casa fare se... (Guida alla risoluzione dei problemi)	33
18	Smaltimento	33

INTRODUZIONE

Il presente manuale spiega come installare, programmare e usare l'apri portone sezionale Soon. I vari argomenti sono suddivisi in tre parti distinte:

La PRIMA PARTE è una guida passo-passo che illustra le fasi necessarie all'installazione "fisica" del prodotto e all'avvio del suo funzionamento.

La SECONDA PARTE descrive come personalizzare il funzionamento di Soon, attraverso la programmazione di alcune funzioni specifiche e la scelta di opzioni e regolazioni particolari. Inoltre, una sezione è dedicata anche alla manutenzione e allo smaltimento del prodotto.

⚠ La **Prima** e la **Seconda Parte** del manuale sono destinate esclusivamente al Personale Tecnico qualificato che installerà l'automazione. Nessuna di queste informazioni può ritenersi utile o di qualche interesse per l'Utente finale del prodotto.

Istruzioni per l'installazione e l'avvio dell'automazione

Questa PRIMA PARTE descrive passo per passo tutte le fasi dell'installazione del prodotto (montaggio meccanico, collegamenti elettrici, collaudo) e del suo primo avvio (impostazioni di funzionamento).

Queste fasi sono precedute da indicazioni molto importanti che riguardano la sicurezza, le caratteristiche del prodotto e la fattibilità dell'impianto.

1) Operare in condizioni di sicurezza

1.1) Precauzioni e avvertenze per la sicurezza

⚠ Le operazioni di installazione, programmazione e messa in servizio del prodotto devono essere effettuate unicamente da personale tecnicamente qualificato, nel rispetto sia delle leggi e delle norme vigenti che regolamentano la materia, sia delle istruzioni contenute in questo manuale.

Il presente manuale è strutturato per guidare passo dopo passo il lavoro di installazione, programmazione e messa in servizio del motoriduttore Soon. Tutte le operazioni da effettuare, insieme alle necessarie istruzioni, sono riportate nell'esatto ordine con cui dovranno essere eseguite le fasi del lavoro.

È importante quindi, leggere tutte le sezioni del manuale prima di iniziare il lavoro di installazione. Raccomandiamo in particolare, di leggere con molta attenzione le Sezioni che contengono informazioni fondamentali per la SICUREZZA come la presente Sezione 1, la Sezione 3 - VERIFICHE PRIMA DELL'INSTALLAZIONE E LIMITI D'IMPIEGO DEL PRODOTTO e la Sezione 8 - COLLAUDO E MESSA IN SERVIZIO DEL SISTEMA.

Considerati i pericoli che possono verificarsi durante l'installazione e l'uso quotidiano del prodotto, è necessario che l'installazione avvenga nel pieno rispetto della Direttiva europea n° 98/37/CE (Direttiva Macchine che disciplina la realizzazione di una porta o di un cancello automatico) e in particolare dalle norme EN 12445, EN 12453 e EN 12635.

L'osservanza di questa Direttiva vi permette di operare nella massima sicurezza, consentendovi di emettere alla fine del lavoro la dichiarazione di presunta conformità e, dunque, la sicurezza dell'impianto.

NOTA: Ulteriori informazioni e linee guida all'analisi dei rischi, utili alla vostra realizzazione del "Fascicolo Tecnico", sono disponibili sul sito internet: www.niceforyou.com.

- È vietato fare un uso diverso del prodotto Soon, rispetto a quanto riportato in questo manuale. Usi impropri possono danneggiare il prodotto e mettere in pericolo persone e cose.
- È vietato eseguire modifiche su qualsiasi componente del prodotto, salvo quelle espressamente indicate nel manuale. Operazioni non autorizzate possono causare solo malfunzionamenti e Nice® declina ogni responsabilità per danni derivati da prodotti modificati arbitrariamente.
- Prima di iniziare l'installazione è necessario eseguire l'analisi dei rischi, comprendente l'elenco dei requisiti essenziali di sicurezza previsti nell'allegato I della Direttiva Macchine, indicando le relative soluzioni adottate. Si ricorda che "l'analisi dei rischi" è uno dei documenti che costituiscono il "Fascicolo Tecnico" dell'automazione.
- Prima di iniziare l'installazione è bene verificare la necessità di ulteriori dispositivi e materiali che possono servire a completare

l'automazione con Soon, valutando la specifica situazione d'impiego e i pericoli presenti; ad esempio devono essere considerati i rischi di impatto, di schiacciamento, cesoiamento, convogliamento e altri pericoli in genere.

- Collegare la Centrale di comando di Soon solo ad una linea di alimentazione elettrica dotata di messa a terra di sicurezza.
- Prima Durante l'installazione, evitare che le parti dell'automatismo possano venir immerse in acqua o in altre sostanze liquide o che queste sostanze o anche oggetti solidi possano penetrare all'interno della centrale e di altri dispositivi aperti. Se ciò dovesse verificarsi, scollegare immediatamente l'alimentazione elettrica e rivolgersi al Servizio di Assistenza Nice®.

⚠ L'uso di Soon in queste situazioni può essere fonte di pericolo!

- Prima Non tenere i vari componenti di Soon vicino a fonti di calore e tanto meno esporli alla nuda fiamma. Tali azioni possono danneggiare i componenti del sistema ed essere causa di malfunzionamenti, incendio o situazioni di pericolo.
- Prima Durante l'installazione, tutte le operazioni che richiedono l'accesso alle parti interne, nascoste dal coperchio di Soon (es. i morsetti), devono essere effettuate in assenza di alimentazione elettrica. Se il collegamento è già stato effettuato e il dispositivo di sconnessione è fuori dalla vostra vista, è importante apporvi vicino un cartello con scritto: "ATTENZIONE! MANUTENZIONE IN CORSO".
- Prima Se durante l'installazione dovessero entrare in funzione sistemi di protezione elettrica come interruttori automatici o fusibili, prima di ripristinarne il normale funzionamento è necessario individuare le cause del guasto ed eliminarle.
- Prima Al termine dell'installazione, l'automatismo può essere utilizzato solo dopo aver effettuato la "messa in servizio", così come specificato nella Sezione 8 - COLLAUDO E MESSA IN SERVIZIO DEL SISTEMA.
- Prima In caso di lunghi periodi di inutilizzo di Soon, è consigliabile estrarre la batteria opzionale e custodirla in luogo asciutto. Questa precauzione eviterà il deterioramento e il rischio di perdite di sostanze nocive dalla batteria.
- Prima In caso di qualche guasto non risolvibile con le informazioni contenute in questo manuale, si consiglia di chiamare il Servizio Assistenza Nice®.
- Prima Il materiale dell'imballaggio del prodotto Soon deve essere smaltito nel pieno rispetto della normativa locale in materia di smaltimento dei rifiuti.
- Prima Vi raccomandiamo di conservare con cura questo manuale per facilitare eventuali manutenzioni e interventi futuri sul prodotto.

2) Conoscere le caratteristiche del prodotto

2.1) Descrizione del prodotto, destinazione d'uso e caratteristiche tecniche

SOON è un attuatore elettromeccanico per l'automazione di porte sezionali fino a 20mq. Grazie all'albero di uscita cavo permette un facile innesto con l'albero portamolle di gran parte dei sezionali in commercio.

La centrale SOA2, oltre ad alimentare il motore in corrente continua, permette una ottimale regolazione della coppia e della velocità del

motoriduttore, un esatto rilievo delle quote, la partenza e la chiusura graduale, la rilevazione dell'ostacolo. Inoltre essa è dotata di una spia di manutenzione che permette di registrare le manovre che il motoriduttore esegue durante tutta la sua vita.

Lo sblocco, azionabile da terra, disimpegna il motore dal corpo riduttore.

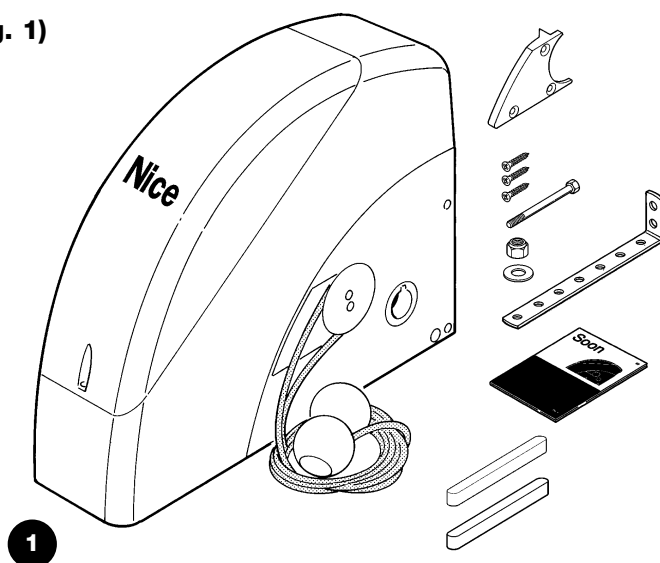
3) Valutare la fattibilità dell'installazione

Prima di procedere all'installazione, verificare l'integrità dei componenti del prodotto, l'adeguatezza del modello scelto e l'idoneità dell'ambiente destinato all'installazione.

3.1) Verificare i componenti del prodotto (vedere fig. 1)

Verificare l'integrità della confezione;
disimballare il prodotto e accertare la presenza di:

- 1 motoriduttore Soon
- 1 staffa di fissaggio
- 4 semighiere di sblocco
- 2 chiavette
- 1 vite M8x130
- 1 dado M8 autobloccante
- 1 rondella D8
- 1 rinvio
- 3 viti autofilettanti nere
- 1 manuale istruzioni



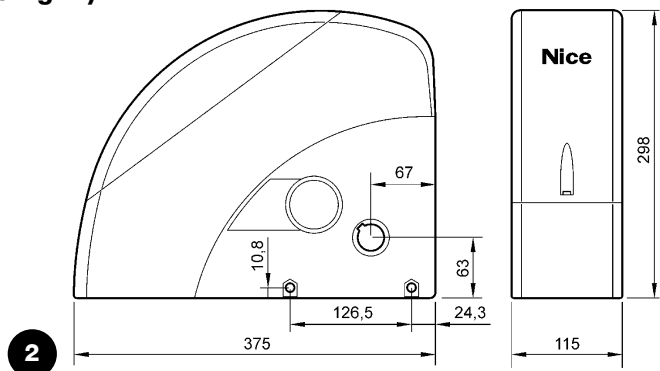
3.2) Verificare l'idoneità dell'ambiente

- Verificare che l'ambiente prescelto per l'installazione, sia compatibile con l'ingombro totale del vostro modello Soon (Fig. 2).
- Verificare che nell'ambiente non vi siano ostacoli lungo la traiettoria del sezionale, che possano limitare il suo movimento totale in apertura e chiusura.
- Verificare che l'ambiente prescelto per l'installazione possa consentire una facile e sicura esecuzione delle manovre manuali.
- Verificare che ciascun dispositivo da fissare sia posizionato su una superficie solida e al riparo da urti accidentali.

3.3) Verificare i limiti d'impiego del prodotto (vedere fig. 2)

Verificare i limiti di impiego del vostro Soon e degli accessori che si prevede d'installare, valutando l'idoneità delle loro caratteristiche a soddisfare le esigenze dell'ambiente e le limitazioni riportate di seguito:

- Verificare se la grandezza del sezionale è inferiore ai 20 mq.
- Verificare che l'albero di movimentazione del sezionale sia compatibile con l'albero di uscita del Soon con l'ausilio delle chiavette fornite nell'imballo.
- Verificare che la staffa di fissaggio al muro sia sufficientemente lunga.



4) Installare i vari componenti

⚠ L'installazione dell'automazione deve essere effettuata unicamente da personale qualificato, rispettando le presenti istruzioni, le leggi e le norme vigenti.

4.1) Schema tipico di installazione (vedere fig. 3)

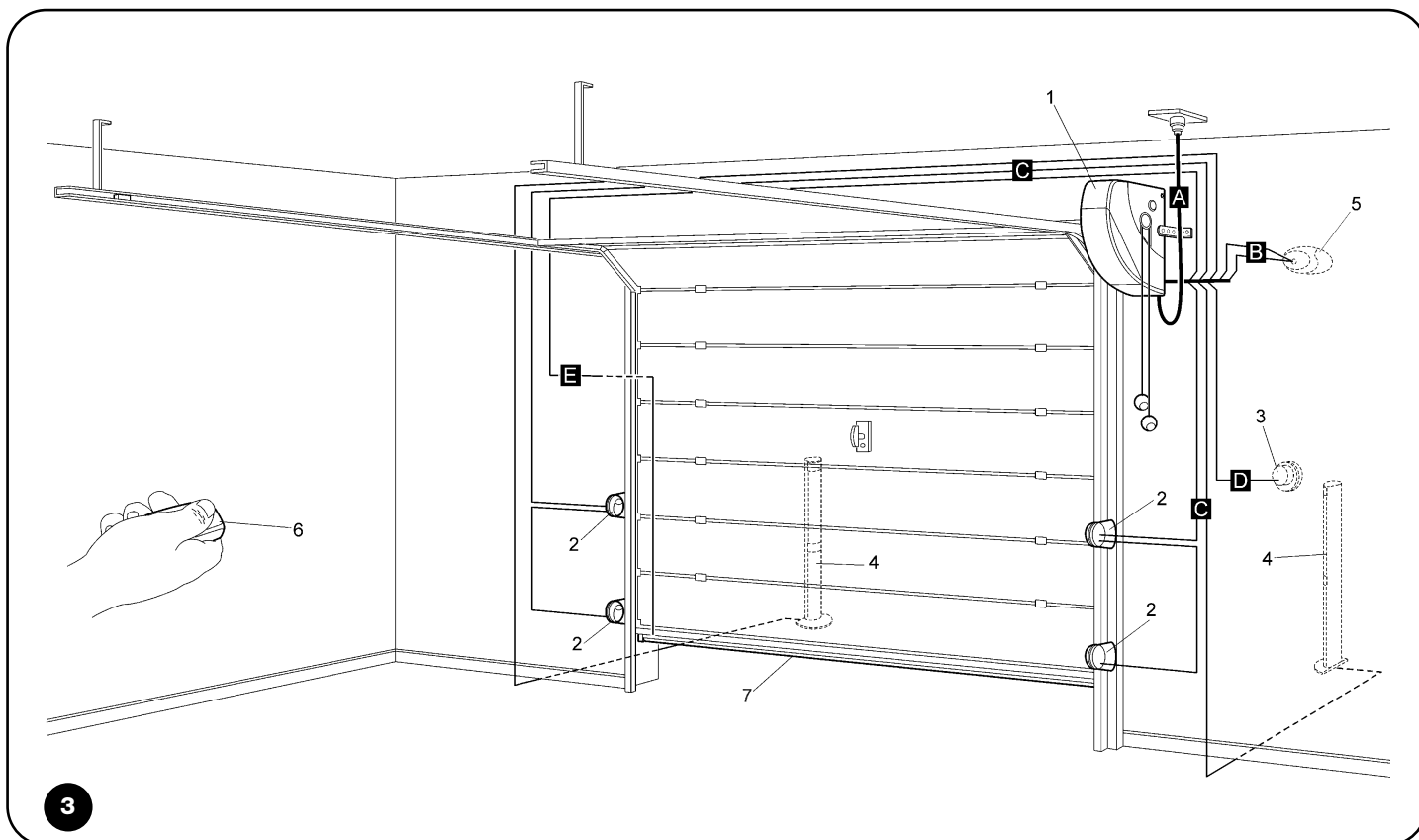
La Fig. 3 mostra l'installazione completa di un motoriduttore Soon. Il disegno riporta i vari componenti e i cavi necessari al loro collegamento, il tutto assemblato e posizionato secondo uno schema tipico e usuale.

Legenda dei componenti meccanici in Fig. 3:

- 1 - Motoriduttore Soon
- 2 - Fotocellula
- 3 - Selettore a chiave
- 4 - Colonnina per fotocellula
- 5 - Lampeggiante
- 6 - Trasmettitore
- 7 - Bordo primario

Legenda dei cavi elettrici in Fig. 3:

- A - Linea elettrica di alimentazione
- B - Lampeggiante con antenna
- C - Fotocellule
- D - Selettore a chiave
- E - Bordo primario



3

4.2) Installare i componenti meccanici

Dopo aver terminato i lavori di preparazione all'installazione (ad esempio, lo scavo delle tracce per i tubi dei cavi elettrici o la posa di canaline esterne; l'eventuale fissaggio nel calcestruzzo dei suddetti tubi e altre preparazioni utili), sarà possibile procedere al montaggio e all'installazione completa di tutti i componenti meccanici ed elettrici del Soon. Procedere quindi seguendo l'ordine indicato di seguito.

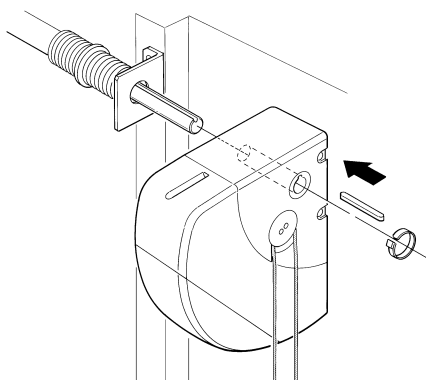
Montaggio della motoriduttore Soon (vedere Fig. 4)

1. (Fig. 4-a) Inserire l'albero di uscita del Soon nell'albero di trasmissione del moto del portone sezionale accoppiandoli con l'ausilio di una chiavetta in dotazione.

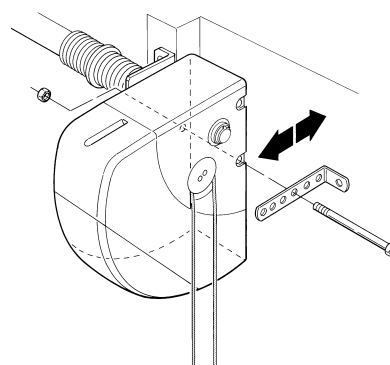
Eseguire questa operazione a portone CHIUSO.

2. (Fig. 4-b) Fissare al Soon la staffa tramite vite, dado e rondella in dotazione.
3. (Fig. 4-c) Fissare alla parete la staffa tramite un tassello (non in dotazione) adeguato al materiale della parete.
4. (Fig. 4-d) E' possibile installare Soon in posizione orizzontale tramite l'ausilio del particolare rinvio (in dotazione) che va fissato tramite tre viti (in dotazione) nella posizione raffigurata facendo attenzione alle uscite dei cavi di sblocco.

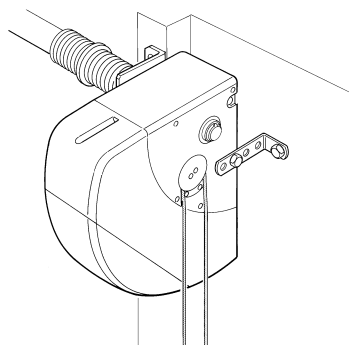
4a



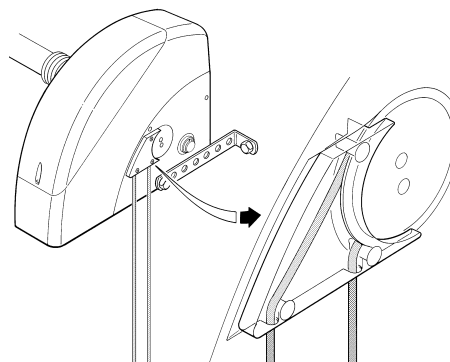
4b



4c



4d



4.3) Posa dei cavi elettrici (vedere Fig. 3 e Tab. 1)

Terminata l'installazione dei vari componenti meccanici, procedere ora alla posa di tutti i cavi elettrici necessari facendo riferimento alla Fig. 3 che mostra la collocazione tipica di questi cavi, e alla Tabella 1 che analizza in dettaglio le loro caratteristiche tecniche.

⚠ I cavi utilizzati per i collegamenti dei vari dispositivi devono essere adatti al tipo di installazione che s'intende effettuare: se l'installazione avviene in ambiente coperto o all'interno, si consiglia un cavo tipo H03VV-F.

CARATTERISTICHE DEI CAVI ELETTRICI

(Le lettere abbinata ai cavi sono le stesse riportate anche in Fig. 3)

Tabella 1: elenco cavi

Collegamento	Tipo di cavo	Lunghezza massima consentita
A: Linea elettrica di alimentazione	n° 1 cavo (3 x 1,5 mm ²)	30 m (*)
B: Lampeggiante	n° 1 cavo (2 x 1 mm ²)	20 m
C: Antenna	n° 1 cavo schermato (tipo RG58)	20 m (si consiglia: minore di 5 m)
D: Fotocellula	n° 1 cavo (2 x 0,5 mm ²)	30 m
E: Selettore a chiave	n° 1 cavo (4 x 0,5 mm ²)	50 m
F: Collegamento bordi mobili	n° 1 cavo (2 x 0,5 mm ²)	20 m

Nota: (*) Se il cavo di alimentazione è più lungo di 30 m, occorre usare un cavo con sezione maggiore (esempio: 3 x 2,5 mm²) ed è necessaria una messa a terra di sicurezza in prossimità dell'automazione.

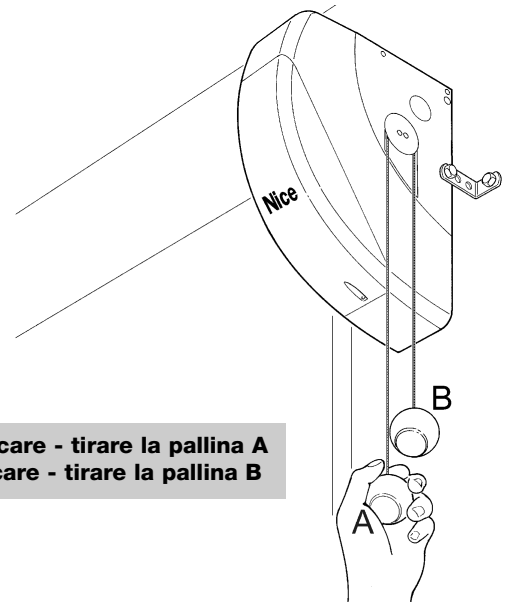
4.4) Procedura manuale di sblocco e blocco

⚠ Fare riferimento a questa procedura ogni volta che nel testo del manuale, si invita a "bloccare" o a "sbloccare" manualmente il meccanismo del SOON.

Note:

Le manovre di sblocco o di blocco del meccanismo devono essere fatte esclusivamente con il motoriduttore completamente fermo.

- L'operazione manuale deve essere eseguita nei casi di mancanza di corrente, di anomalie dell'impianto o se richiesta espressamente nel testo del manuale.
- Lo sblocco manuale, consente la libera corsa del portone sezionale.



Per sbloccare - tirare la pallina A
Per bloccare - tirare la pallina B

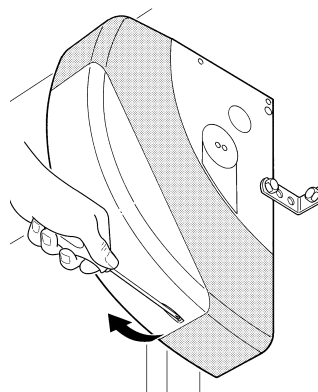
5) Effettuare i collegamenti elettrici

⚠ Con lo scopo di garantire la Sicurezza dell'installatore ed evitare danni ai componenti dell'automazione, prima di effettuare i collegamenti elettrici o di innestare il Ricevitore - radio, accertarsi che la Centrale di comando sia SCOLLEGATA dalla rete elettrica e da eventuali batterie tampone.

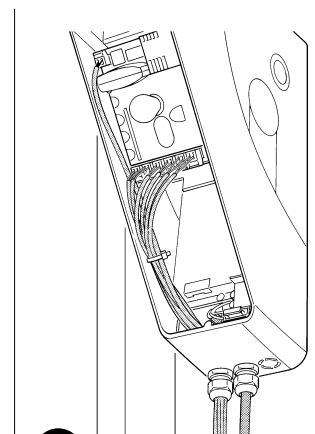
5.1) Collegare tutti i dispositivi

Tutti i collegamenti elettrici devono essere eseguiti in assenza di tensione all'impianto.

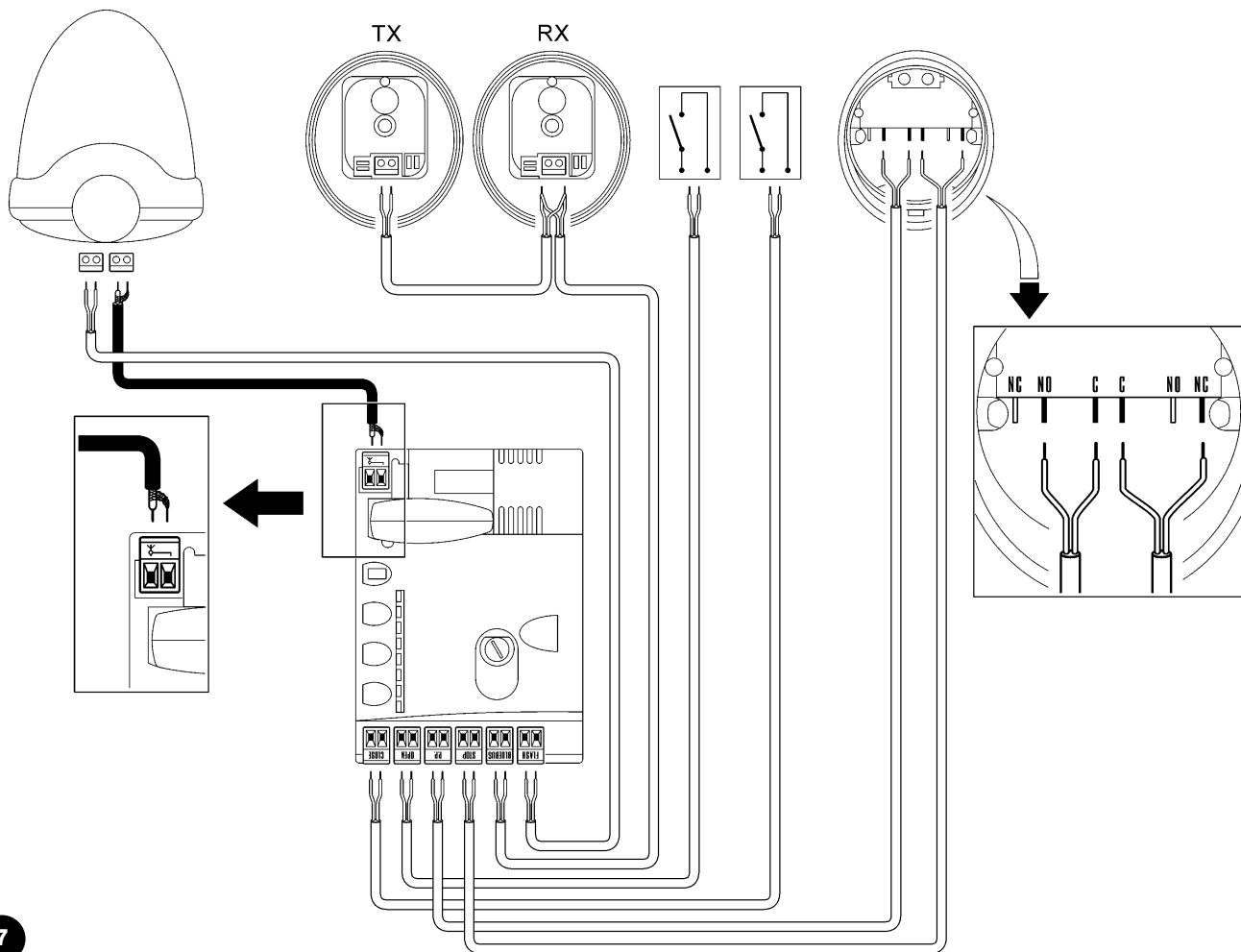
1. Per rimuovere il coperchio di protezione ed accedere alla centrale elettronica di controllo di SOON occorre togliere la vite e sollevare il coperchio tirandolo verso l'alto (Fig. 5).
2. Allentare il pressacavo libero e far passare i cavi per il collegamento ai morsetti della centrale. Lasciare i cavi 20-30 cm più lunghi del necessario. Vedere tabella 1 per il tipo di cavi e Fig. 6 per i collegamenti.
3. Eseguire i collegamenti dei cavi secondo lo schema di Fig. 7. Per maggiore comodità i morsetti sono estraibili.
4. Terminati i collegamenti bloccare i cavi serrando il pressacavo. La parte eccedente del cavo d'antenna va bloccata agli altri cavi con un'altra fascetta.



5



6



7

FLASH	questa uscita è programmabile (vedere la SECONDA PARTE del manuale) per collegare uno fra i seguenti dispositivi: Lampeggiante Se programmata come "lampeggiante" sull'uscita "FLASH" è possibile collegare un lampeggiante NICE "LUCY B" con una lampadina a 12V 21W tipo auto. Durante la manovra lampeggia con periodo 0.5s acceso e 0.5s spento. Uscita "spia portone aperto" Se programmata come "spia portone aperto" sull'uscita "FLASH" è possibile collegare una spia 24V max 5W per la segnalazione di portone aperto. Può essere programmata anche per altre funzioni; vedere la SECONDA PARTE del manuale Ventosa* Se programmata come "ventosa" sull'uscita "FLASH" è possibile collegare una ventosa 24V max 10W (versioni con solo elettromagnete, senza dispositivi elettronici). Quando il portone è chiuso la ventosa viene attivata bloccando il portone. Durante la manovra di apertura o chiusura viene disattivata. Elettroblocco* Se programmata come "elettroblocco" sull'uscita "FLASH" è possibile collegare un'elettroblocco con scrocco 24V max 10W (versioni con solo elettromagnete, senza dispositivi elettronici). Durante la manovra di apertura l'elettroblocco viene attivato e rimane attivo per liberare il portone ed eseguire la manovra. Nella manovra di chiusura accertarsi che l'elettroblocco si riagganci meccanicamente. Elettroserratura* Se programmata come "elettroserratura" sull'uscita "FLASH" è possibile collegare una elettroserratura con scrocco 24V max 10W (versioni con solo elettromagnete, senza dispositivi elettronici). Durante la manovra di apertura l'elettroserratura viene attivato per un breve periodo per liberare il portone ed eseguire la manovra. Nella manovra di chiusura accertarsi che l'elettroserratura si riagganci meccanicamente.
BLUEBUS	Su questo morsetto si possono collegare i dispositivi compatibili; tutti vengono collegati in parallelo con soli due conduttori sui quali transita sia l'alimentazione elettrica che i segnali di comunicazione. Altre informazioni su BlueBUS sono presenti nel paragrafo "5.2 - Collegare i dispositivi BlueBUS".
STOP	ingresso per dispositivi che bloccano o eventualmente arrestano la manovra in corso; con opportuni accorgimenti sull'ingresso è possibile collegare contatti tipo "Normalmente Chiuso", tipo "Normalmente Aperto", dispositivi a resistenza costante o di tipo ottico. Altre informazioni su STOP sono presenti nel paragrafo "5.3 - Collegare dispositivi all'ingresso stop".
PP	ingresso per dispositivi che comandano il movimento in modalità Passo-Passo; è possibile collegare contatti di tipo "Normalmente Aperto".
OPEN	ingresso per dispositivi che comandano il movimento di sola apertura; è possibile collegare contatti di tipo "Normalmente Aperto".
CLOSE	ingresso per dispositivi che comandano il movimento di sola chiusura; è possibile collegare contatti di tipo "Normalmente Aperto".
ANTENNA	ingresso di collegamento dell'antenna per ricevitore radio (l'antenna è incorporata su LUCY B).

* Possono essere collegati solo dispositivi contenenti il solo elettromagnete.

⚠ Non impiegare dispositivi diversi da quelli previsti

5.2) Collegare dispositivi BlueBus

BlueBUS è una tecnica che permette di effettuare i collegamenti dei dispositivi compatibili con soli due conduttori sui quali transita sia l'alimentazione elettrica che i segnali di comunicazione. Tutti i dispositivi vengono collegati in parallelo sugli stessi 2 conduttori di BlueBUS e senza necessità di rispettare alcuna polarità; ogni dispositivo viene riconosciuto singolarmente poiché durante l'installazione gli viene assegnato un indirizzo univoco. A BlueBUS si possono collegare ad esempio: fotocellule, dispositivi di sicurezza, pulsanti di comando, spie di segnalazione ecc. La centrale di controllo di SOON riconosce

uno ad uno tutti i dispositivi collegati attraverso un'opportuna fase di apprendimento ed è in grado di rilevare con estrema sicurezza tutte le possibili anomalie. Per questo motivo ogni volta che viene aggiunto o tolto un dispositivo collegato a BlueBUS occorrerà eseguire, nella centrale, la fase di apprendimento come descritto nel paragrafo "7.1 - Memorizzazione dispositivi".

5.2.1) Fotocellule

Il sistema "BlueBUS" consente, tramite l'indirizzamento con gli appositi ponticelli, il riconoscimento delle fotocellule da parte della centrale e di assegnare la corretta funzione di rilevazione. L'operazione di indirizzamento va fatta sia sul TX che sul RX (ponendo i ponticelli nello stesso modo) verificando che non vi siano altre coppie di fotocellule con lo stesso indirizzo.

In un automatismo per cancelli scorrevoli con SOON è possibile installare le fotocellule secondo quanto rappresentato in Fig. 8. Dopo l'installazione o la rimozione di fotocellule occorrerà eseguire nella centrale la fase di apprendimento come descritto nel paragrafo "7.1 - Memorizzazione dispositivi".

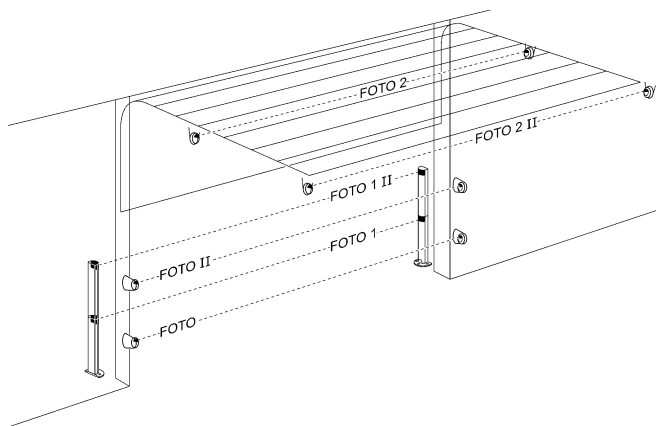


Tabella 2: indirizzi delle fotocellule

Fotocellula	Ponticelli	Fotocellula	Ponticelli
FOTO Fotocellula esterna h = 50 con intervento in chiusura		FOTO 2 Fotocellula esterna con intervento in apertura	
FOTO II Fotocellula esterna h = 100 con intervento in chiusura		FOTO 2 II Fotocellula interna con intervento in apertura	
FOTO 1 Fotocellula interna h = 50 con intervento sia in chiusura che in apertura		FOTO 3 CONFIGURAZIONE NON PERMESSA	
FOTO 1 II Fotocellula interna h = 100 con intervento sia in chiusura che in apertura			

5.2.2) Fotosensore FT210B

Il fotosensore FT210B unisce in un unico dispositivo un sistema di limitazione della forza (tipo C secondo la norma EN12453) ed un rilevatore di presenza che rileva ostacoli presenti sull'asse ottico tra trasmettitore TX e ricevitore RX (tipo D secondo la norma EN12453). Nel fotosensore FT210B i segnali dello stato del bordo sensibile vengono inviati attraverso il raggio della fotocellula integrando i 2 sistemi in un unico dispositivo. La parte trasmittente posta sull'anta mobile è alimentata con batterie eliminando così gli antiestetici sistemi di collegamento; speciali circuiti riducono il consumo della batteria per garantire una durata fino a 15 anni (vedere i dettagli della stima nelle istruzioni del prodotto). Un solo dispositivo FT210B abbinato ad

un bordo sensibile (esempio TCB65) permette di raggiungere il livello di sicurezza del "bordo primario" richiesto dalla norma EN12453 per qualsiasi "tipo di utilizzo" e "tipo di attivazione". Il fotosensore FT210B abbinato a bordi sensibili "resistivi" (8,2Kohm), è sicuro al guasto singolo (categoria 3 secondo EN 954-1). Dispone di uno speciale circuito anticollisione che evita interferenze con altri rilevatori anche se non sincronizzati e permette di aggiungere altre fotocellule; ad esempio, nel caso di transito di veicoli pesanti dove normalmente si pone una seconda fotocellula a 1m da terra.

Per ulteriori informazioni sulle modalità di collegamento e indirizzamento vedere il manuale di istruzioni di FT210B.

5.3) Collegare dispositivi all'ingresso STOP

STOP è l'ingresso che provoca l'arresto immediato della manovra seguito da una breve inversione.

A questo ingresso possono essere collegati dispositivi con uscita a contatto normalmente aperto "NA", normalmente chiuso "NC", dispositivi con uscita a resistenza costante 8,2KΩ oppure di tipo ottico, ad esempio bordi sensibili.

Come per BlueBUS, la centrale riconosce il tipo di dispositivo collegato all'ingresso STOP durante la fase di apprendimento (vedere

paragrafo "7.1 - Memorizzazione dispositivi"); successivamente viene provocato uno STOP quando si verifica una qualsiasi variazione rispetto allo stato appreso.

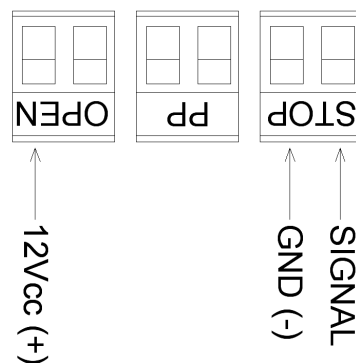
Con opportuni accorgimenti è possibile collegare all'ingresso STOP più di un dispositivo, anche di tipo diverso:

- Più dispositivi NA si possono collegare in parallelo tra di loro senza alcun limite di quantità.

- Più dispositivi NC si possono collegare in serie tra di loro senza alcun limite di quantità.
- Due dispositivi con uscita a resistenza costante $8,2K\Omega$ si possono collegare in parallelo; se vi sono più di 2 dispositivi allora tutti devono essere collegati "in cascata" con una sola resistenza di terminazione da $8,2K\Omega$.
- E' possibile la combinazione di NA ed NC ponendo i 2 contatti in parallelo con l'avvertenza di porre in serie al contatto NC una resistenza da $8,2K\Omega$ (ciò rende possibile anche la combinazione di 3 dispositivi: NA, NC e $8,2K\Omega$).

⚠ Se l'ingresso STOP è usato per collegare dispositivi con funzioni di sicurezza; solo i dispositivi con uscita a resistenza costante $8,2K\Omega$ o dispositivi ottici OPTO SENSOR garantiscono la categoria 3 di sicurezza ai guasti secondo la norma EN 954-1.

Per il collegamento di un dispositivo ottico tipo OPTO SENSOR eseguire, invece, le connessioni come in Fig. 9:



9

5.4) Collegare l'alimentazione elettrica

Per l'alimentazione elettrica a SOON è sufficiente inserire la sua spina in una presa di corrente. Eventualmente utilizzare un adattatore comunemente reperibile in commercio se la spina di SOON non corrisponde alla presa disponibile.

6) Prima accensione dell'impianto - verifiche

⚠ Le operazioni successive saranno effettuate su circuiti elettrici sotto tensione e le manovre potranno risultare pericolose! Operare quindi con attenzione e mai da soli.

Terminata l'installazione dei componenti ed effettuati i collegamenti elettrici, è necessario fare subito alcune semplici verifiche sul corretto funzionamento dell'impianto, prima di procedere oltre. Quindi, effettuare le operazioni elencate di seguito, barrando mano mano i punti dopo aver verificato la conformità dei risultati.

6.1) Test di funzionamento

Non appena viene fornita tensione a SOON è consigliabile fare alcune semplici verifiche:

- Verificare che il led BlueBUS lampeggi regolarmente alla frequenza di un lampeggio al secondo.
- Se presenti le fotocellule, verificare che lampeggino anche i led sulle fotocellule (sia su TX che su RX); non è significativo il tipo di lampeggio, dipende da altri fattori.
- Verificare che il dispositivo collegato all'uscita FLASH sia spento.
- Verificare che la luce di cortesia sia spenta.

Se tutto questo non avviene occorre spegnere immediatamente l'alimentazione alla centrale e controllare con maggiore attenzione i collegamenti elettrici.

7) Memorizzazione dispositivi e posizioni

7.1) Memorizzazione dispositivi

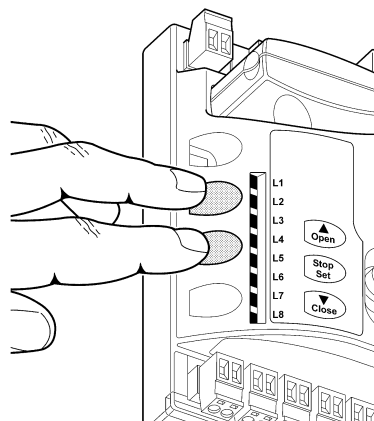
Dopo l'allacciamento dell'alimentazione occorre far riconoscere alla centrale i dispositivi collegati sugli ingressi BlueBUS e STOP. Prima di questa fase i led L1 ed L2 lampeggiano per indicare che occorre eseguire l'apprendimento dei dispositivi.

⚠ La fase di apprendimento dei dispositivi deve essere eseguita anche se non c'è nessun dispositivo collegato.

1. Premere e tenere premuti i tasti **[▲]** e **[Set]**
2. Rilasciare i tasti quando i led L1 e L2 iniziano a lampeggiare molto velocemente (dopo circa 3s)
3. Attendere alcuni secondi che la centrale finisca l'apprendimento dei dispositivi

Al termine dell'apprendimento il led STOP deve rimanere acceso, i led L1 e L2 si spegneranno (eventualmente inizieranno a lampeggiare i led L3 e L4).

La fase di apprendimento dispositivi collegati può essere rifatta in qualsiasi momento anche dopo l'installazione per esempio se venisse aggiunto un dispositivo.



10

7.2) Memorizzazione delle posizioni

Dopo l'apprendimento dei dispositivi è necessario far riconoscere alla centrale le posizioni di apertura e chiusura del portone. È possibile programmare fino a 6 posizioni che sono:

Posizione	Significato
A1	Quota di massima apertura che si desidera. Quando il portone arriva in questa posizione si ferma.
RA1	Quota di inizio rallentamento durante la manovra di apertura. Quando il portone arriva in questa posizione il motore decelera portandosi alla velocità minima.
RINT	Quota di rallentamento intermedio nella manovra di chiusura. Programmando questo punto il portone comincia a decelerare circa 50cm prima, in modo da passare la posizione RINT a velocità minima. Passata la quota RINT il motore si riporta alla velocità programmata.
AP	Quota di apertura parziale. È la quota in cui il portone si arresta dopo aver dato un comando di apertura parziale.
RA0	Quota di inizio rallentamento durante la manovra di chiusura. Quando il portone arriva in questa posizione il motore decelera portandosi alla velocità minima.
A0	Quota di massima chiusura. Quando il portone arriva in questa posizione si ferma.

Quando le quote non sono state acquisite lampeggiano i led L3 e L4.

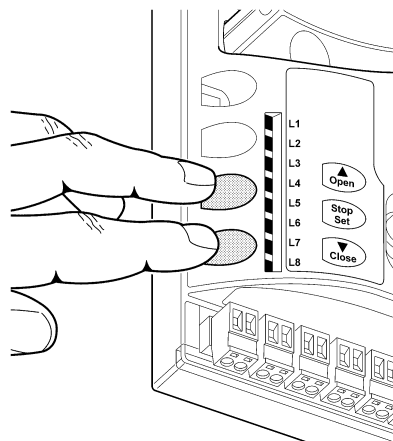
Di seguito è descritta la procedura per la memorizzazione delle posizioni. Le quote A1 e A0 devono essere programmate mentre le altre quote possono essere saltate. In quest'ultimo caso verranno calcolate automaticamente dalla centrale.

1.	Premere [Set] + [▼] per 3 secondi per entrare in memorizzazione quote.
Lampeggia il led L1: programmazione quota A1	
2.	Con i tasti [▲] o [▼] spostare il portone nella posizione di apertura massima.
3.	Premere il tasto [Set] per 2 secondi per confermare la quota A1. Il led L1 rimane acceso.
Lampeggia il led L2: programmazione quota RA1	
4.	Se non si vuole programmare la quota di rallentamento apertura, premere 2 volte velocemente il tasto [Set] per saltare alla prossima programmazione, il led L2 rimane spento. Altrimenti proseguire con la sequenza.
5.	Con i tasti [▲] o [▼] spostare il portone nella posizione di rallentamento apertura.
6.	Premere il tasto [Set] per 2 secondi per confermare la quota RA1. Il led L2 rimane acceso.
Lampeggia il led L4: programmazione quota RINT	
7.	Se non si vuole programmare la quota di rallentamento intermedio, premere 2 volte velocemente il tasto [Set] per saltare alla prossima programmazione, il led L4 rimane spento. Altrimenti proseguire con la sequenza.
8.	Con i tasti [▲] o [▼] spostare il portone nella posizione di rallentamento intermedio.
9.	Premere il tasto [Set] per 2 secondi per confermare la quota RINT. Il led L4 rimane acceso.
Lampeggia il led L5: programmazione quota RAP	
10.	Se non si vuole programmare la quota di apertura parziale, premere 2 volte velocemente il tasto [Set] per saltare alla prossima programmazione, il led L5 rimane spento. Altrimenti proseguire con la sequenza.
11.	Con i tasti [▲] o [▼] spostare il portone nella posizione di apertura parziale.
12.	Premere il tasto [Set] per 2 secondi per confermare la quota RAP. Il led L5 rimane acceso.
Lampeggia il led L7: programmazione quota RA0	
13.	Se non si vuole programmare la quota di rallentamento chiusura, premere 2 volte velocemente il tasto [Set] per saltare alla prossima programmazione, il led L7 rimane spento. Altrimenti proseguire con la sequenza.
14.	Con i tasti [▲] o [▼] spostare il portone nella posizione di rallentamento chiusura.
15.	Premere il tasto [Set] per 2 secondi per confermare la quota RA0. Il led L7 rimane acceso.
Lampeggia il led L8: programmazione quota A0	
16.	Con i tasti [▲] o [▼] spostare il portone nella posizione di chiusura massima.
17.	Premere il tasto [Set] per 2 secondi per confermare la quota A0. led L8 rimane acceso.
18.	Rilasciando il tasto [Set] si spengono tutti il led.
19.	Dare un comando di apertura premendo il tasto [Open] per eseguire una manovra completa di apertura.
20.	Dare un comando di chiusura premendo il tasto [Close] per eseguire una manovra completa di chiusura.

Durante queste manovre la centrale memorizza la forza necessaria nei movimenti di apertura e chiusura.

E' importante che queste prime manovre non vengano interrotte, es. da un comando di STOP.

La fase di apprendimento delle posizioni può essere rifatta in qualsiasi momento anche dopo l'installazione; basta ripeterla dal punto 1. Se invece è necessario modificare una sola quota ripetere la sequenza dal punto 1 e saltare la programmazione delle quote non interessate premendo 2 volte velocemente il tasto **[Set]** per ogni posizione da saltare.



8) Effettuare il collaudo finale dell'impianto

8.1) Test per il collaudo finale

Ogni singolo componente dell'automatismo, ad esempio bordi sensibili, fotocellule, arresto di emergenza, ecc. richiede una specifica fase di collaudo; per questi dispositivi si dovranno eseguire le procedure riportate nei rispettivi manuali istruzioni. Per il collaudo di SOON eseguire la seguente sequenza di operazioni:

1. Verificare che si sia rispettato rigorosamente quanto previsto nel capitolo 1 "AVVERTENZE".
2. Sbloccare il portone dal motore tirando il cordino di sblocco verso il basso. Verificare che sia possibile muovere manualmente il portone in apertura e in chiusura con una forza non superiore a 225N.
3. Bloccare il portone al motore tirando manualmente il cordino di blocco.
4. Utilizzando il selettore o il trasmettitore radio, effettuare delle prove di chiusura e apertura del portone e verificare che il movimento corrisponda a quanto previsto.
5. Conviene eseguire diverse prove al fine di valutare la scorrevolezza del portone ed eventuali difetti di montaggio o regolazione nonché la presenza di particolari punti d'attrito.

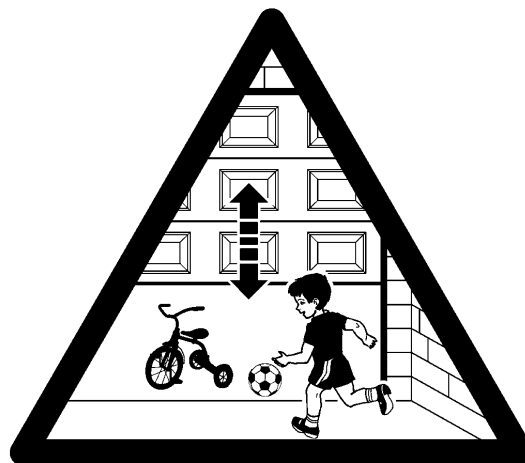
6. Verificare uno ad uno il corretto funzionamento di tutti i dispositivi di sicurezza presenti nell'impianto (fotocellule, bordi sensibili ecc.). In particolare, ogni volta che un dispositivo interviene il led "BlueBUS" sulla centrale esegue 2 lampeggi più veloci a conferma che la centrale riconosce l'evento.
7. Per verificare il funzionamento delle fotocellule ed in particolare che non vi siano interferenze con altri dispositivi, passare un cilindro di diametro 5cm e lunghezza 30 cm sull'asse ottico prima vicino al TX, poi vicino all'RX e infine al centro tra i due e verificare che in tutti i casi il dispositivo intervenga passando dallo stato di attivo a quello di allarme e viceversa; infine che provochi nella centrale l'azione prevista; esempio: nella manovra di chiusura provoca l'inversione di movimento.
8. Se le situazioni pericolose provocate dal movimento del portone sono state salvaguardate mediante la limitazione della forza d'impatto si deve eseguire la misura della forza secondo quanto previsto dalla norma EN 12445. Se la regolazione della "Velocità" ed il controllo della "Forza Motore" vengono usati come ausilio al sistema per la riduzione della forza d'impatto, provare e trovare le regolazioni che offrono i migliori risultati.

8.2) Messa in servizio

La messa in servizio può avvenire solo dopo aver eseguito con esito positivo tutte le fasi di collaudo di Soon e degli altri dispositivi presenti. E' vietata la messa in servizio parziale o in situazioni "provvisorie".

1. Realizzare e conservare per almeno 10 anni il fascicolo tecnico dell'automazione che dovrà comprendere almeno: disegno complessivo dell'automazione, schema dei collegamenti elettrici, analisi dei rischi e relative soluzioni adottate, dichiarazione di conformità del fabbricante di tutti i dispositivi utilizzati (per Soon utilizzare la Dichiarazione CE di conformità allegata); copia del manuale di istruzioni per l'uso e del piano di manutenzione dell'automazione.
2. Apporre sul portone una targhetta contenente almeno i seguenti dati: tipo di automazione, nome e indirizzo del costruttore (responsabile della "messa in servizio"), numero di matricola, anno di costruzione e marchio "CE".
3. Fissare in maniera permanente in prossimità del portone un'etichetta o una targa con indicate le operazioni per lo sblocco e la manovra manuale
4. Fissare in maniera permanente sul portone una etichetta o targa con questa immagine (altezza minima 60mm).
5. Realizzare e consegnare al proprietario la dichiarazione di conformità dell'automazione.
6. Realizzare e consegnare al proprietario il manuale di "Istruzioni ed avvertenze per l'uso dell'automazione".

7. Realizzare e consegnare al proprietario il piano di manutenzione dell'automazione (che deve raccogliere tutte le prescrizioni sulla manutenzione dei singoli dispositivi).
8. Prima di mettere in servizio l'automatismo informare adeguatamente ed in forma scritta il proprietario (ad esempio sul manuale di istruzioni ed avvertenze per l'uso dell'automazione) sui pericoli ed i rischi ancora presenti.



9) Istruzioni per personalizzare il funzionamento dell'automazione

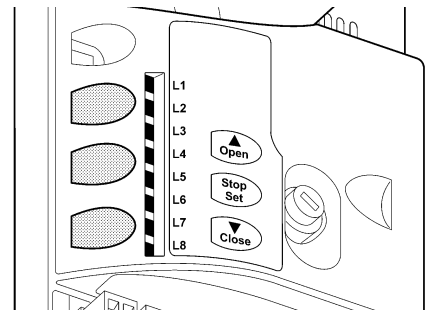
Questa SECONDA PARTE descrive come personalizzare il funzionamento dell'automazione, attraverso regolazioni e opzioni da memorizzare nella memoria della Centrale. Una sezione finale è dedicata invece alla risoluzione dei problemi, alla manutenzione e allo smaltimento del prodotto.

9.1) Tasti di programmazione

Sulla centrale di controllo di SOON sono presenti 3 tasti che possono essere usati sia per il comando della centrale durante le prove sia per le programmazioni:

OPEN ▲	Il tasto "OPEN" permette di comandare l'apertura del portone oppure di spostare verso l'alto il punto di programmazione
STOP SET	Il tasto "STOP" permette di fermare la manovra se premuto per più di 5 secondi permette di entrare in programmazione.
CLOSE ▼	Il tasto "CLOSE" permette di comandare la chiusura del portone oppure di spostare verso il basso il punto di programmazione

12



10) Programmazioni

Sulla centrale di controllo di SOON sono disponibili alcune funzioni programmabili; la regolazione delle funzioni avviene attraverso 3 tasti presenti sulla centrale: [▲] [Set] [▼] e vengono visualizzate attraverso 8 led: **L1...L8**.

Le funzioni programmabili disponibili su SOON sono disposte su 2 livelli:

Primo livello: funzioni regolabili in modo ON-OFF (attivo oppure non attivo); in questo caso ogni led **L1...L8** indica una funzione, se acceso la funzione è attiva, se spento la funzione non è attiva; vedere Tab. 3.

Secondo livello: parametri regolabili su una scala di valori (valori da 1 a 8); in questo caso ogni led **L1...L8** indica il valore regolato tra i 8 possibili; vedere Tab. 4.

10.1) Funzioni primo livello

Tabella 3: elenco funzioni programmabili: primo livello

Led	Funzione	Descrizione
L1	Chiusura Automatica	Questa funzione permette una chiusura automatica del cancello dopo il tempo pausa programmato, di fabbrica il Tempo Pausa è posto a 30 secondi ma può essere modificato a 10, 20, 40, 60, 80, 120, 160 e 200 secondi. Se la funzione non è attivata, il funzionamento è "semiautomatico".
L2	Richiudi Dopo Foto	Questa funzione permette di tenere il portone aperto solo per il tempo necessario al transito, infatti l'intervento di "Foto" provoca sempre una richiusura automatica con un tempo pausa di 5s (indipendentemente dal valore programmato). Il comportamento cambia a seconda che sia attiva o meno la funzione di "Chiusura Automatica". Con "Chiusura Automatica" non attiva: Il portone raggiunge sempre la posizione di totale apertura (anche se il disimpegno di Foto avviene prima). Al disimpegno di Foto si provoca la richiusura automatica con una pausa di 5s. Con "Chiusura Automatica" attiva: la manovra di apertura si arresta subito dopo il disimpegno delle fotocellule e si provoca la richiusura automatica con una pausa di 5s. La funzione di "Richiudi Dopo Foto" viene sempre disabilitata nelle manovre interrotte con un comando di Stop. Se la funzione "Richiudi Dopo Foto" non è attiva il tempo di pausa sarà quello programmato o non ci sarà richiusura automatica se la funzione non è attiva.
L3	Chiude Sempre	La funzione "Chiude Sempre" interviene, provocando una chiusura, quando al ritorno dell'alimentazione viene rilevato il portone aperto. Per questioni di sicurezza la manovra viene preceduta da 3s di prelampeggio. Se la funzione non è attiva, al ritorno dell'alimentazione il portone rimarrà fermo.
L4	Stand-By	Questa funzione permette di ridurre al massimo i consumi. Se questa funzione è attiva, dopo 1 minuto dal termine della manovra, la centrale spegne l'uscita BlueBUS (e quindi i dispositivi) e tutti i led ad esclusione del led BlueBUS che lampeggerà più lentamente. Quando la centrale riceve un comando ripristina il pieno funzionamento. Se la funzione non è attiva non ci sarà riduzione dei consumi.
L5	Inversione lunga	Questa funzione permette di selezionare il tipo inversione che il portone esegue a causa dell'intervento di STOP o del limitatore di forza. Se la funzione non è attiva l'inversione è breve (15cm circa). Se la funzione è attiva l'inversione avviene fino alla quota di apertura o chiusura massima.
L6	Prelampeggio	Con la funzione di prelampeggio viene aggiunta una pausa di 3s tra l'accensione del lampeggiante e l'inizio della manovra per avvertire in anticipo della situazione di pericolo. Se il prelampeggio non è attivo l'accensione del lampeggiante coincide con l'inizio manovra.
L7	Sensibilità	Questa funzione permette di aumentare notevolmente la sensibilità del motore nella rilevazione ostacoli. Se viene utilizzata come ausilio per la rilevazione della forza d'impatto regolare anche i parametri "Velocità" e "Forza motore" nel menù di secondo livello.
L8	Compensazione	Questa funzione permette di recuperare l'allungamento nel tempo delle funi metalliche del portone ed è subordinata all'impiego di un bordo sensibile di tipo resistivo 8,2KΩ oppure ottico OSE.

Durante il funzionamento normale di SOON, quando non è in corso nessuna manovra, i led **L1...L8** sono accesi o spenti in base allo stato della funzione che rappresentano, ad esempio **L1** è acceso se è attiva la "Chiusura automatica".

10.2) Programmazioni primo livello

Di fabbrica le funzioni del primo livello sono poste tutte "OFF" ma si possono cambiare in qualsiasi momento come descritto di seguito. Fare attenzione nell'eseguire la procedura perché c'è un tempo massimo di 10s tra la pressione di un tasto e l'altro, altrimenti la procedura finisce automaticamente memorizzando le modifiche fatte fino a quel momento.

1. Premere e tener premuto il tasto **[Set]** per circa 3s
2. Rilasciare il tasto **[Set]** quando il led L1 inizia a lampeggiare
3. Premere i tasti **[▲]** o **[▼]** per spostare il led lampeggiante sul led che rappresenta la funzione da modificare
4. Premere il tasto **[Set]** per cambiare lo stato della funzione (lampeggio breve = OFF; lampeggio lungo = ON)

Attendere 10s per uscire dalla programmazione per fine tempo massimo.

Nota: i punti 3 e 4 possono essere ripetuti durante la stessa fase di programmazione per porre ON o OFF altre funzioni

10.3) Funzioni secondo livello (parametri regolabili)

Tabella 4: elenco funzioni programmabili: secondo livello

Led di entrata	Parametro	Led (livello)	Valore	Descrizione
L1	Tempo Pausa	L1	10 secondi	Regola il tempo di pausa cioè il tempo prima della chiusura automatica. Ha effetto solo se la chiusura automatica è attiva.
		L2	20 secondi	
		L3	40 secondi	
		L4	60 secondi	
		L5	80 secondi	
		L6	120 secondi	
		L7	160 secondi	
		L8	200 secondi	
L2	Funzione P.P.	L1	Apri - stop - chiudi - stop	Regola la sequenza di comandi associati all'ingresso PPoppure al 1° comando radio.
		L2	Apri - stop - chiudi - apri	
		L3	Apri - chiudi - apri - chiudi	
		L4	Condominiale	
		L5	Condominiale 2 (più di 2" fa stop)	
		L6	Passo-Passo 2 (meno di 2" fa apri parziale)	
		L7	Uomo presente	
		L8	Apertura in "semiautomatico", chiusura a "uomo presente"	
L3	Velocità Motore	L1	Velocità 1 (30% - lenta)	Regola la velocità del motore durante la corsa normale.
		L2	Velocità 2 (44%)	
		L3	Velocità 3 (58%)	
		L4	Velocità 4 (72%)	
		L5	Velocità 5 (86%)	
		L6	Velocità 6 (100% - veloce)	
		L7	Apri V4, chiudi V2	
		L8	Apri V6, chiudi V4	
L4	Uscita FLASH	L1	Spia Portone Aperto	Seleziona il dispositivo collegato all'uscita FLASH.
		L2	Attiva se portone chiuso	
		L3	Attiva se portone aperto	
		L4	Lampeggiante	
		L5	Elettroblocco	
		L6	Elettroserratura	
		L7	Ventosa	
		L8	Spia Manutenzione	
L5	Forza motore in apertura	L1	Forza 1 (bassa)	Regola il sistema di controllo della forza del motore per adeguarlo al peso del portone durante la manovra di apertura.
		L2	Forza 2	
		L3	Forza 3	
		L4	Forza 4	
		L5	Forza 5	
		L6	Forza 6	
		L7	Forza 7	
		L8	Forza8 (alta)	
L6	Forza motore in chiusura	L1	Forza 1 (bassa)	Regola il sistema di controllo della forza del motore per adeguarlo al peso del portone durante la manovra di chiusura.
		L2	Forza 2	
		L3	Forza 3	
		L4	Forza 4	
		L5	Forza 5	
		L6	Forza 6	
		L7	Forza 7	
		L8	Forza8 (alta)	

Nota: "■" rappresenta la regolazione di fabbrica

SEGUE

Led di entrata	Parametro	Led (livello)	Valore	Descrizione
L7	Avviso di manutenzione	L1	Automatico (in base alla gravosità delle manovre)	Regola il numero di manovre dopo il quale segnalare la richiesta di manutenzione dell'automazione (vedere paragrafo "13 Avviso di Manutenzione").
		L2	1.000	
		L3	2.000	
		L4	4.000	
		L5	6.000	
		L6	8.000	
		L7	10.000	
		L8	12.000	
L8	Elenco anomalie	L1	Esito 1ª manovra (la più recente)	Permette di verificare il tipo di anomalia intervenuta nelle ultime 8 manovre (vedere paragrafo "14 Elenco storico anomalie").
		L2	Esito 2ª manovra	
		L3	Esito 3ª manovra	
		L4	Esito 4ª manovra	
		L5	Esito 5ª manovra	
		L6	Esito 6ª manovra	
		L7	Esito 7ª manovra	
		L8	Esito 8ª manovra	

Nota: "■" rappresenta la regolazione di fabbrica

Tutti i parametri possono essere regolati a piacere senza nessuna controindicazione; solo le regolazioni di "Forza motore in apertura" "Forza motore in chiusura" potrebbero richiedere una attenzione particolare:

- E' sconsigliato utilizzare valori alti di forza per compensare il fatto che l'anta abbia dei punti di attrito anomali; una forza eccessiva può pregiudicare il funzionamento del sistema di sicurezza o danneggiare l'anta.
- Se il controllo della "Forza motore" viene usato come ausilio al sistema per la riduzione della forza di impatto, dopo ogni regolazione ripetere la misura della forza, come previsto dalla norma EN 12445.
- L'usura e le condizioni atmosferiche influiscono sul movimento del portone, periodicamente e necessario ricontrrollare la regolazione della forza.

10.4) Programmazioni secondo livello

Di fabbrica i parametri regolabili sono posti come evidenziato in Tab. 4 con: "■" ma si possono cambiare in qualsiasi momento come descritto di seguito. Fare attenzione nell'eseguire la procedura perché c'è un tempo massimo di 10s tra la pressione di un tasto e l'altro, altrimenti la procedura finisce automaticamente memorizzando le modifiche fatte fino a quel momento

1. Premere e tener premuto il tasto **[Set]** per circa 3s
2. Rilasciare il tasto **[Set]** quando il led L1 inizia a lampeggiare
3. Premere i tasti **[▲]** o **[▼]** per spostare il led lampeggiante sul "led di entrata" che rappresenta il parametro da modificare
4. Premere e mantenere premuto il tasto **[Set]**, il tasto **[Set]** va mantenuto premuto durante tutti i passi 5 e 6
5. Attendere circa 3s dopodiché si accenderà il led che rappresenta il livello attuale del parametro da modificare
6. Premere i tasti **[▲]** o **[▼]** per spostare il led che rappresenta il valore del parametro.
7. Rilasciare il tasto **[Set]**

Attendere 10s per uscire dalla programmazione per fine tempo massimo.

Nota: i punti da 3 a 7 possono essere ripetuti durante le stessa fase di programmazione per regolare più parametri.

11) Avviso di manutenzione

SOON consente di avvisare l'utente quando eseguire un controllo di manutenzione dell'automazione. Il numero di manovre dopo il quale avviene la segnalazione è selezionabile tra 8 livelli, mediante il parametro regolabile "Avviso di manutenzione" (vedere Tab. 4).

Il livello 1 di regolazione è "automatico" e tiene conto della gravosità delle manovre, cioè dello sforzo e della durata della manovra, mentre le altre regolazioni sono fissate in base al numero delle manovre.

La segnalazione di richiesta di manutenzione avviene attraverso il lampeggiante o la Spia di manutenzione a seconda della programmazione (vedere Tab. 4).

In base al numero di manovre eseguite rispetto al limite programmato il lampeggiante Flash e la spia manutenzione danno le segnalazioni riportate in Tab. 5.

Tabella 5: avviso di manutenzione con Flash e spia manutenzione

Numero manovre	Segnalazione su Flash	Segnalazione su spia manutenzione
Inferiore a 80% del limite	Normale (0.5s acceso, 0.5s spento)	Accesa per 2s ad inizio apertura
Tra 81 e 100% del limite	A inizio manovra rimane acceso per 2s poi prosegue normalmente	Lampeggia durante tutta la manovra
Oltre il 100% del limite	Ad inizio e fine manovra rimane acceso per 2s poi prosegue normalmente	Lampeggia sempre.

11.1) Verifica del numero di manovre effettuate

Con la funzione di "Avviso di manutenzione" è possibile verificare il numero di manovre eseguite in percentuale sul limite impostato. Per la verifica procedere come descritto di seguito.

1. Premere e tener premuto il tasto **[Set]** per circa 3s
2. Rilasciare il tasto **[Set]** quando il led L1 inizia a lampeggiare
3. Premere i tasti **[▲]** o **[▼]** per spostare il led lampeggiante sul L7, cioè il "led di entrata" per il parametro "Avviso si manutenzione"
4. Premere e mantenere premuto il tasto **[Set]**, il tasto **[Set]** va mantenuto premuto durante tutti i passi 5, 6 e 7
5. Attendere circa 3s dopodiché si accenderà il led che rappresenta il livello attuale del parametro "Avviso si manutenzione"
6. Premere e subito rilasciare i tasti **[▲]** e **[▼]**.
7. Il led corrispondente al livello selezionato farà alcuni lampeggi. Il numero di lampeggi identifica la percentuale di manovre effettuate (in multipli di 10%) rispetto al limite impostato. Ad esempio: con impostato l'avviso di manutenzione su L7 cioè 10000, il 10% corrisponde a 1000 manovre; se il led di visualizzazione fa 4 lampeggi, significa che è stato raggiunto il 40% delle manovre (cioè tra 4000 e 4999 manovre). Se non è stato raggiunto il 10% delle manovre non ci sarà nessun lampeggio.
8. Rilasciare il tasto **[Set]**.

11.2) Azzeramento contatore manovre

Dopo aver eseguito la manutenzione dell'impianto è necessario azzerare il contatore delle manovre. Procedere come descritto.

1. Premere e tener premuto il tasto **[Set]** per circa 3s
2. Rilasciare il tasto **[Set]** quando il led L1 inizia a lampeggiare
3. Premere i tasti **[▲]** o **[▼]** per spostare il led lampeggiante sul L7, cioè il "led di entrata" per il parametro "Avviso si manutenzione"
4. Premere e mantenere premuto il tasto **[Set]**, il tasto **[Set]** va mantenuto premuto durante tutti i passi 5 e 6
5. Attendere circa 3s dopodiché si accenderà il led che rappresenta il livello attuale del parametro "Avviso si manutenzione"
6. Premere e tenere premuto per almeno 5 secondi i tasti **[▲]** e **[▼]**, quindi rilasciare i 2 tasti. Il led corrispondente al livello selezionato eseguirà una serie di lampeggi veloci per segnalare che il contatore delle manovre è stato azzerato.
7. Rilasciare il tasto **[Set]**.

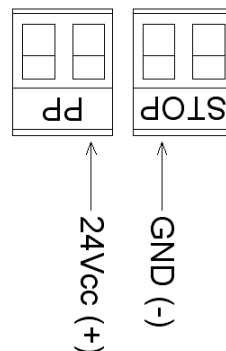
12) Elenco storico anomalie

SOON permette di visualizzare le eventuali anomalie che si sono verificate nelle ultime 8 manovre, ad esempio l'interruzione di una manovra per l'intervento di una fotocellula o di un bordo sensibile. Per verificare l'elenco delle anomalie procedere descritto di seguito.

1. Premere e tener premuto il tasto **[Set]** per circa 3s
2. Rilasciare il tasto **[Set]** quando il led L1 inizia a lampeggiare
3. Premere i tasti **[▲]** o **[▼]** per spostare il led lampeggiante sul L8, cioè il "led di entrata" per il parametro "Elenco anomalie"
4. Premere e mantenere premuto il tasto **[Set]**, il tasto **[Set]** va mantenuto premuto durante tutti i passi 5 e 6
5. Attendere circa 3s dopodiché si accenderanno i led corrispondenti alle manovre che hanno avuto delle anomalie.
Il led L1 indica l'esito della manovra più recente, il led L8 indica l'esito dell'ottava. Se il led è acceso significa che durante la manovra si sono verificate delle anomalie; se il led è spento significa che la manovra è terminata senza anomalie.
6. Premere i tasti **[▲]** e **[▼]** per selezionare la manovra desiderata: il led corrispondente farà un numero di lampeggi pari a quelli normalmente eseguiti dal lampeggiante dopo un'anomalia.
7. Rilasciare il tasto **[Set]**.

13) Collegamento altri dispositivi

Se vi fosse l'esigenza di alimentare dispositivi esterni ad esempio un lettore di prossimità per tessere a transponder oppure la luce d'illuminazione del selettore a chiave è possibile prelevare l'alimentazione come indicato in figura 12. La tensione di alimentazione è 24Vcc - 30% ÷ +50% con corrente massima disponibile di 100mA.



14) Approfondimenti: funzioni particolari

14.1) Funzione “Apri sempre”

La funzione “Apri sempre” è una proprietà della centrale di controllo che permette di comandare sempre una manovra di apertura quando il comando di “Passo-Passo” ha una durata superiore a 2 secondi; ciò è utile ad esempio per collegare al morsetto PP il contatto di un orologio programmatore per mantenere aperto il cancello per una certa fascia oraria. Questa proprietà è valida qualunque sia la programmazione dell'ingresso di PP ad esclusione della programmazione come “Condominiale 2”, vedere parametro “Funzione PP” in Tab. 4.

14.2) Funzione “Muovi comunque”

Nel caso in cui qualche dispositivo di sicurezza non dovesse funzionare correttamente o fosse fuori uso, è possibile comunque comandare e muovere il cancello in modalità “Uomo presente”. Per i dettagli vedere il paragrafo “Comando con sicurezze fuori uso” presente nell'allegato “Istruzioni ed avvertenze destinate all'utilizzatore del motoriduttore SOON”.

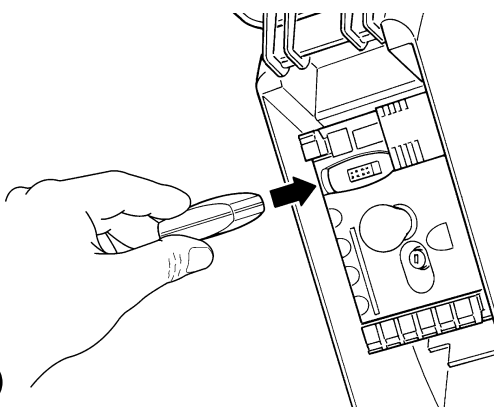
15) Funzionamento dell'automazione tramite trasmettitore e ricevitore-radio con innesto tipo “SM”

Sulla Centrale è presente un connettore dedicato all'installazione di un Ricevitore-radio con innesto tipo “SM” (Fig. 13), per comandare l'automazione con un Trasmettitore-radio (ricevitore e trasmettitore sono accessori opzionali). Le quattro Uscite del Ricevitore permettono di dare alla Centrale i seguenti comandi:

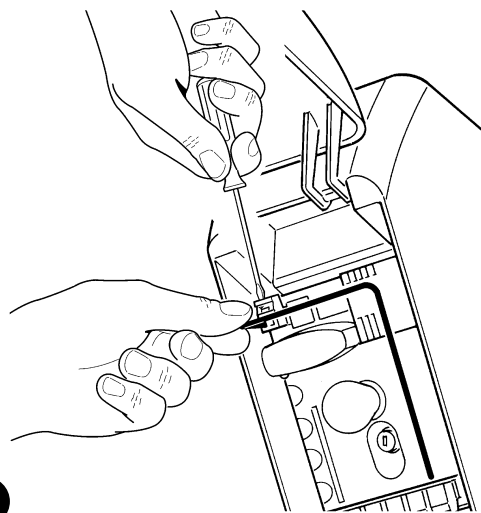
Tabella 6: comandi con ricevitore SMXI, SMXIS

Uscita N°1	Comando “P.P.” (Passo-Passo)
Uscita N°2	Comando “Apertura parziale”
Uscita N°3	Comando “Apri”
Uscita N°4	Comando “Chiude”

Se non viene utilizzata l'antenna incorporata a LUCYB o altro tipo di antenna esterna, avvitare il cavetto rigido in dotazione al ricevitore al morsetto dell'antenna (Fig. 14).



13



14

16) Controllo e diagnosi automatica delle anomalie di funzionamento

Durante il regolare funzionamento, la Centrale tiene costantemente sotto controllo i processi dell'automazione ed è in grado di segnalare eventuali anomalie, attraverso preordinate sequenze di lampeggi emesse dal lampeggiante, luce di cortesia e “Led BlueBUS” (i lampeggi diagnostici si riferiscono sempre all'ultima azione compiuta da Soon). Per comprendere la corrispondenza fra numero dei lampeggi e cause, fare riferimento alla seguente tabella:

Tabella 7: lampeggi di diagnostica

n° lamp	causa
1	Errore sincronizzazione BlueBUS
2	Intervento di Foto o errore del Fototest
3	Forza del motoriduttore non sufficiente oppure rilevato ostacolo durante la corsa
4	Intervento dei dispositivi di Stop
5	Errore sui parametri della memoria
6	Intervento limitatore manovre interno
7	Manca corrente nei circuiti motore
8	Sovracorrente nei circuiti motore

17) Cosa fare se... (Guida alla risoluzione dei problemi)

Questa è una piccola guida alla risoluzione dei problemi più comuni che si possono presentare durante l'installazione e la programmazione dell'automazione.

• **...non si comanda nessuna manovra ed il led "Blue-BUS" non lampeggia**

- Verificare che Soon sia alimentato con la tensione di rete 230V. Verificare che i fusibili F1 e F2 (Fig. 15) non siano interrotti; in questo caso, verificare la causa del guasto e poi sostituirli con altri dello stesso valore di corrente e caratteristiche.

• **...non si comanda nessuna manovra ed il lampeggiante è spento**

- Verificare che il comando venga effettivamente ricevuto. Se il comando giunge sull'ingresso PP il relativo led "PP" deve accendersi; se invece viene utilizzato il trasmettitore radio, il led "Blue-BUS" deve fare due lampeggi veloci.

• **...la manovra non parte e la luce di cortesia fa alcuni lampeggi**

Contare il numero di lampeggi e verificare secondo quanto riportato in Tab. 7.

• **...durante la manovra viene eseguita una breve inversione**

- La forza selezionata potrebbe essere troppo bassa per muovere il portone. Verificare se ci sono degli ostacoli ed eventualmente selezionare una forza superiore.

- Verificare se è intervenuto un dispositivo di sicurezza collegato all'ingresso di Stop.

• **...la manovra viene eseguita ma il dispositivo collegato all'uscita FLASH non funziona**

- Verificare che il dispositivo collegato all'uscita "FLASH" sia effettivamente quello programmato.

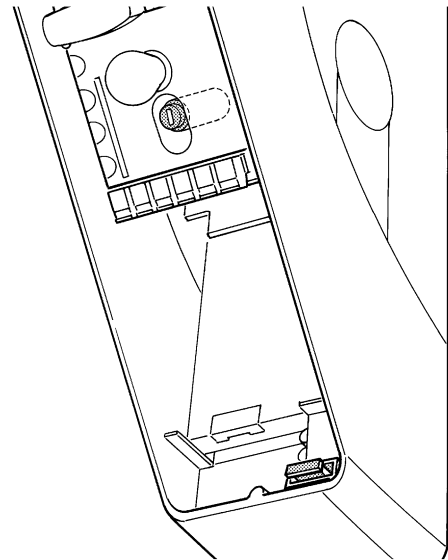
- Verificare che quando il dispositivo dovrebbe essere alimentato ci sia tensione sul morsetto del dispositivo; se c'è tensione, il problema è dovuto al dispositivo che dovrà essere sostituito con uno di uguali caratteristiche. Se non c'è tensione significa che c'è un sovraccarico elettrico sull'uscita. Verificare che non vi sia cortocircuito sul cavo.

• **...durante la fase di memorizzazione quote lampeggiano velocemente il led L1 oppure il led L8**

- Significa che è stata raggiunta la quota di extracorsa alta (lampeggia velocemente L1) o bassa (lampeggia velocemente L8).

- Se lampeggia il led L1 eseguire una manovra di chiusura fino a quando L1 smette di lampeggiare velocemente. Quindi disinstallare Soon dall'albero portamolle, aprire il portone nella posizione massima e reinstallare Soon da questa posizione.

- Se lampeggia il led L8 eseguire una manovra di apertura fino a quando L8 smette di lampeggiare velocemente. Quindi disinstallare Soon dall'albero portamolle, chiudere il portone nella posizione massima e reinstallare Soon da questa posizione.



15

18) Smaltimento

Come per le operazioni d'installazione, anche al termine della vita di questo prodotto, le operazioni di smantellamento devono essere eseguite da Personale Tecnico qualificato.

Questo prodotto è costituito da vari tipi di materiali: alcuni possono essere riciclati, altri devono essere smaltiti. Informatevi sui sistemi di riciclaggio o smaltimento previsti dai Regolamenti vigenti nel vostro territorio, per questa categoria di prodotto.

⚠ Alcune parti del prodotto possono contenere sostanze inquinanti o pericolose, se disperse potrebbero provocare effetti dannosi sull'ambiente e sulla salute umana.

Come indicato dal simbolo di Figura 16 è vietato gettare questo prodotto nei rifiuti domestici. Eseguire la "raccolta separata" per lo smaltimento secondo i metodi previsti dai regolamenti locali; oppure riconsegnare il prodotto al venditore nel momento dell'acquisto di un nuovo prodotto equivalente.

⚠ I Regolamenti locali possono prevedere pesanti sanzioni in caso di smaltimento abusivo di questo prodotto.



16

Soon

Sommaire

page

Instructions pour installer et mettre en marche l'automatisme		35
1	Opérer en conditions de sécurité	35
1.1	Précautions et consignes de sécurité	35
2	Connaître les caractéristiques du produit	35
2.1	Description du produit, application et caractéristiques techniques	35
3	Évaluer la faisabilité de l'installation	36
3.1	Vérifier les composants du produit	36
3.2	Vérifier que l'environnement est adapté	36
3.3	Vérifier les limites d'utilisation du produit	36
4	Installer les différents composants	36
4.1	Schéma typique d'installation	36
4.2	Installer les composants mécaniques	37
4.3	Pose des câbles électriques	38
4.4	Procédure manuelle d'embrayage et de débrayage	38
5	Effectuer les connexions électriques	38
5.1	Connecter tous les dispositifs	38
5.2	Connecter les dispositifs BlueBUS	40
5.2.1	Photocellules	40
5.2.2	Photodétecteur FT210B	40
5.3	Connecter les dispositifs à l'entrée STOP	40
5.4	Connecter l'alimentation électrique	41
6	Premier allumage de l'installation - vérifications	41
6.1	Test de fonctionnement	41
7	Mémorisation dispositifs et positions	41
7.1	Mémorisation dispositifs	41
7.2	Mémorisation des positions	42
8	Effectuer l'essai final de l'installation	43
8.1	Test pour l'essai final	43
8.2	Mise en service	43

9	Instructions pour personnaliser le fonctionnement de l'automatisme	44
9.1	Touches de programmation	44
10	Programmations	44
10.1	Fonctions premier niveau	44
10.2	Fonctions premier niveau	45
10.3	Fonctions deuxième niveau (paramètres réglables)	45
10.4	Programmations deuxième niveau	46
11	Avis de maintenance	46
11.1	Vérification du nombre de manœuvres effectuées	47
11.2	Mise à zéro du compteur des manœuvres	47
12	Liste historique des anomalies	47
13	Connexion d'autres dispositifs	47
14	Approfondissements: fonctions particulières	48
14.1	Fonction « Ouvre toujours »	48
14.2	Fonction « Manœuvre dans tous les cas »	48
15	Fonctionnement de l'automatisme avec émetteur et récepteur-radio « SM »	48
16	Contrôle et diagnostic automatique des anomalies de fonctionnement	48
17	Que faire si... (Guide à la résolution des problèmes)	49
18	Mise au rebut	49

INTRODUCTION

Cette notice explique comment installer, programmer et utiliser l'automatisme Soon pour porte sectionnelle. Les différents points sont subdivisés en trois parties distinctes:

La PREMIÈRE PARTIE est un guide pas à pas qui illustre les phases nécessaires à l'installation « physique » du produit et à sa mise en service.

La DEUXIÈME PARTIE décrit comment personnaliser le fonctionnement de Soon, à travers la programmation de certaines fonctions spécifiques et le choix d'options et de réglages particuliers. De plus, une section est dédiée à la maintenance et à la mise au rebut du produit.

⚠ La Première et la Deuxième Partie de la notice sont destinées exclusivement au Personnel Technique qualifié qui installera l'automatisme. Aucune de ces informations ne peut être considérée comme utile ou intéressante pour l'utilisateur final du produit.

Instructions pour l'installation et la mise en marche de l'automatisme

Cette PREMIÈRE PARTIE décrit pas à pas toutes les phases de l'installation du produit (montage mécanique, connexions électriques, essai) et de sa première mise en marche (paramétrages de fonctionnement).

Ces phases sont précédées d'indications très importantes concernant la sécurité, les caractéristiques du produit et la faisabilité de l'installation.

1) Operare in condizioni di sicurezza

1.1) Precauzioni e avvertenze per la sicurezza

⚠ Les opérations d'installation, de programmation et de mise en service du produit doivent être effectuées uniquement par du personnel techniquement qualifié, conformément aux lois et normes en vigueur en la matière et aux instructions contenues dans cette notice. La présente notice est structurée pour guider pas à pas le travail d'installation, de programmation et de mise en service de l'opérateur Soon. Toutes les opérations à effectuer, avec les instructions nécessaires, sont reportées dans l'ordre précis dans lequel les phases de travail devront être effectuées.

Il est donc important de lire toutes les sections de la notice avant de commencer le travail d'installation. Nous recommandons en particulier de lire très attentivement les sections qui contiennent des informations fondamentales pour la SÉCURITÉ comme la présente Section 1, la Section 3 - VÉRIFICATIONS AVANT L'INSTALLATION ET LIMITES D'UTILISATION DU PRODUIT et la Section 8 - ESSAI ET MISE EN SERVICE DU SYSTÈME.

Compte tenu des dangers qui peuvent se vérifier durant l'installation et l'utilisation quotidienne du produit, il faut que l'installation soit faite dans le plein respect de la Directive Européenne n° 98/37/CE (Directive Machines réglementant la réalisation d'une porte ou d'un portail automatique) et en particulier des normes EN 12445, EN 12453 et EN 12635.

Le respect de cette Directive vous permet d'opérer avec le maximum de sécurité, d'émettre à la fin du travail la déclaration de conformité présumée et donc, de garantir la sécurité de l'installation.

NOTE: D'autres informations et les conseils pour l'analyse des risques, utiles pour la réalisation du "Dossier Technique", sont disponibles sur le site internet: www.niceforyou.com.

- Une utilisation du produit Soon différente des applications illustrées dans cette notice est interdite. Des utilisations impropres peuvent endommager le produit et mettre en danger les personnes et les choses.
- Toute modification d'un composant quelconque du produit est interdite à l'exclusion de celles qui sont expressément indiquées dans la notice. Les opérations non autorisées ne peuvent qu'entraîner des problèmes de fonctionnement et Nice® décline toute responsabilité pour les dommages dérivant de produits modifiés arbitrairement.
- Avant de commencer l'installation, il faut effectuer l'analyse des risques comprenant la liste des exigences essentielles de sécurité requises par l'annexe I de la Directive Machines, en indiquant les solutions adoptées. Nous rappelons que l'analyse des risques est l'un des documents qui constituent le "Dossier technique" de l'automatisation.
- Avant de commencer l'installation, il est bon de vérifier la nécessité

d'autres dispositifs et matériels qui peuvent servir à compléter l'automatisation avec Soon en évaluant les conditions spécifiques de l'application et les risques présents; il faut considérer par exemple les risques d'impact, écrasement, cisaillement, coincement, etc., et les autres dangers en général.

- Connecter la logique de commande de Soon uniquement à une ligne d'alimentation électrique avec mise à la terre.
- Durant l'installation, éviter que les parties de l'automatisme puissent être immergées dans l'eau ou dans d'autres substances liquides ou que ces substances ou des objets solides puissent pénétrer à l'intérieur de la logique et d'autres dispositifs ouverts. Si cela devait se vérifier, déconnecter immédiatement l'alimentation électrique et s'adresser au service après-vente Nice®.

⚠ L'utilisation de Soon dans ces situations peut être une source de danger!

- Ne pas conserver les différents composants de Soon à proximité de sources de chaleur et encore moins les exposer à une flamme vive. Ces actions peuvent endommager les composants du système et causer des problèmes de fonctionnement, l'incendie ou des situations de danger.
- Durant l'installation, toutes les opérations qui nécessitent l'accès aux parties internes, masquées par le couvercle de Soon (ex. les bornes), doivent être effectuées en l'absence d'alimentation électrique. Si la connexion a déjà été effectuée et que le dispositif de déconnexion est en dehors de votre champ de vision, il est important d'y placer un panneau avec l'avertissement: « ATTENTION! MAINTENANCE EN COURS ».
- Si durant l'installation, l'intervention de systèmes de protection électrique tels que des disjoncteurs ou fusibles se vérifie, avant de rétablir le fonctionnement normal, il faut identifier les causes de la panne et les éliminer.
- À la fin de l'installation, l'automatisme peut être utilisé uniquement après avoir effectué la « mise en service », suivant les indications de la Section 8 - ESSAI ET MISE EN SERVICE DU SYSTÈME.
- En cas de longues périodes d'inutilisation de Soon, il est conseillé d'extraire la batterie tampon et de la conserver dans un lieu sec. Cette précaution évitera sa détérioration et le risque de fuites nocives de la batterie.
- Dans le cas de panne ne pouvant être résolue avec les informations contenues dans cette notice, il est conseillé de faire appel au service après-vente Nice®.
- L'emballage du produit Soon doit être mis au rebut dans le plein respect des normes locales en vigueur en matière de recyclage des déchets.
- Nous vous recommandons de conserver avec soin cette notice pour faciliter les éventuelles maintenances et interventions futures sur le produit.

2) Connaître les caractéristiques du produit

2.1) Description du produit, application et caractéristiques techniques

SOON est un opérateur électromécanique pour l'automatisation de portes sectionnelles jusqu'à 20m². Grâce à l'arbre de sortie câble, il permet un enclenchement aisé avec l'arbre porte-ressorts de la plupart des portes sectionnelles présentes dans le commerce.

La logique de commande SOA2, en plus d'alimenter le moteur en courant continu, permet un réglage optimal du couple et de la vitesse

de l'opérateur, un relevé exact des positions, un démarrage et une fermeture progressive, la détection de l'obstacle. De plus, elle est munie d'un voyant de maintenance qui permet d'enregistrer les manœuvres que l'opérateur exécute durant toute sa vie.

Le débrayage, actionnable au sol, libère le moteur du corps réducteur.

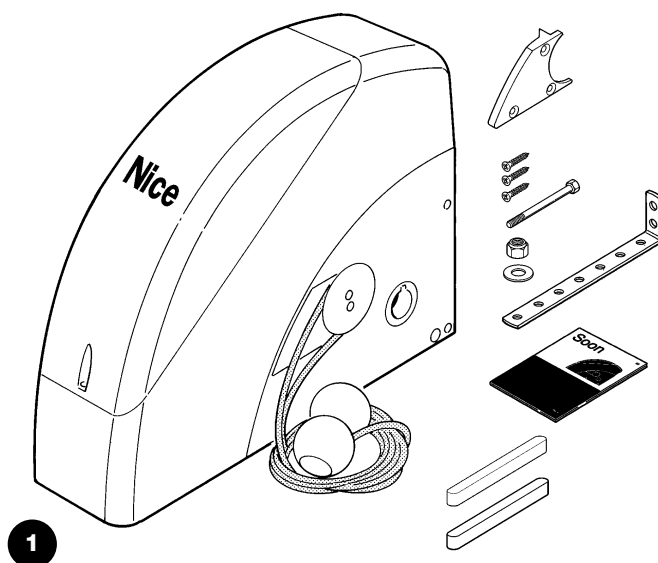
3) Évaluer la faisabilité de l'installation

Avant de procéder à l'installation, vérifier l'intégrité des composants du produit, l'adéquation du modèle choisi et la compatibilité de l'environnement où l'automatisme sera installé.

3.1) Vérifier les composants du produit (voir Fig. 1)

Vérifier l'intégrité de l'emballage;
déballer le produit et contrôler la présence de:

- 1 opérateur Soon
- 1 patte de fixation
- 4 demi-bagues de débrayage
- 2 clavettes
- 1 vis M8x130
- 1 écrou M8 indesserrable
- 1 rondelle D8
- 1 renvoi
- 3 vis autotaraudeuses noires
- 1 notice d'instructions



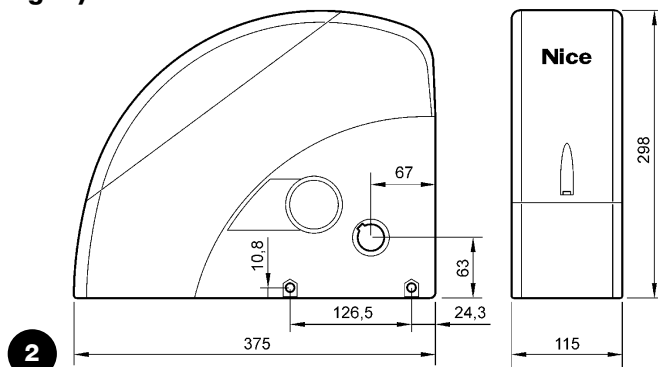
3.2) Vérifier que l'environnement est adapté

- Vérifier que l'environnement choisi pour l'installation est compatible avec l'encombrement total de l'opérateur Soon (Fig. 2).
- Vérifier que l'environnement choisi ne présente pas d'obstacles sur la trajectoire de la porte sectionnelle, qui peuvent limiter son mouvement total en ouverture et en fermeture.
- Vérifier que l'environnement choisi pour l'installation permet une exécution facile et sûre des manœuvres manuelles.
- Vérifier que tous les dispositifs à fixer sont positionnés sur une surface solide et à l'abri des chocs accidentels.

3.3) Vérifier les limites d'utilisation du produit (voir Fig. 2)

Vérifier les limites d'utilisation de l'opérateur Soon et des accessoires que l'on prévoit d'installer, en évaluant si leurs caractéristiques sont à même de satisfaire les exigences de l'environnement et les limitations indiquées ci-après:

- Vérifier que la taille de la porte sectionnelle est inférieure à 20 m².
- Vérifier que l'arbre d'enroulement de la porte sectionnelle est compatible avec l'arbre de sortie du Soon à l'aide des clavettes fournies dans l'emballage.
- Vérifier que la patte de fixation au mur est suffisamment longue.



4) Installer les différents composants

⚠ L'installation de l'automatisme doit être effectuée uniquement par du personnel qualifié, en respectant les présentes instructions, les lois et les normes en vigueur.

4.1) Schéma typique d'installation (voir Fig. 3)

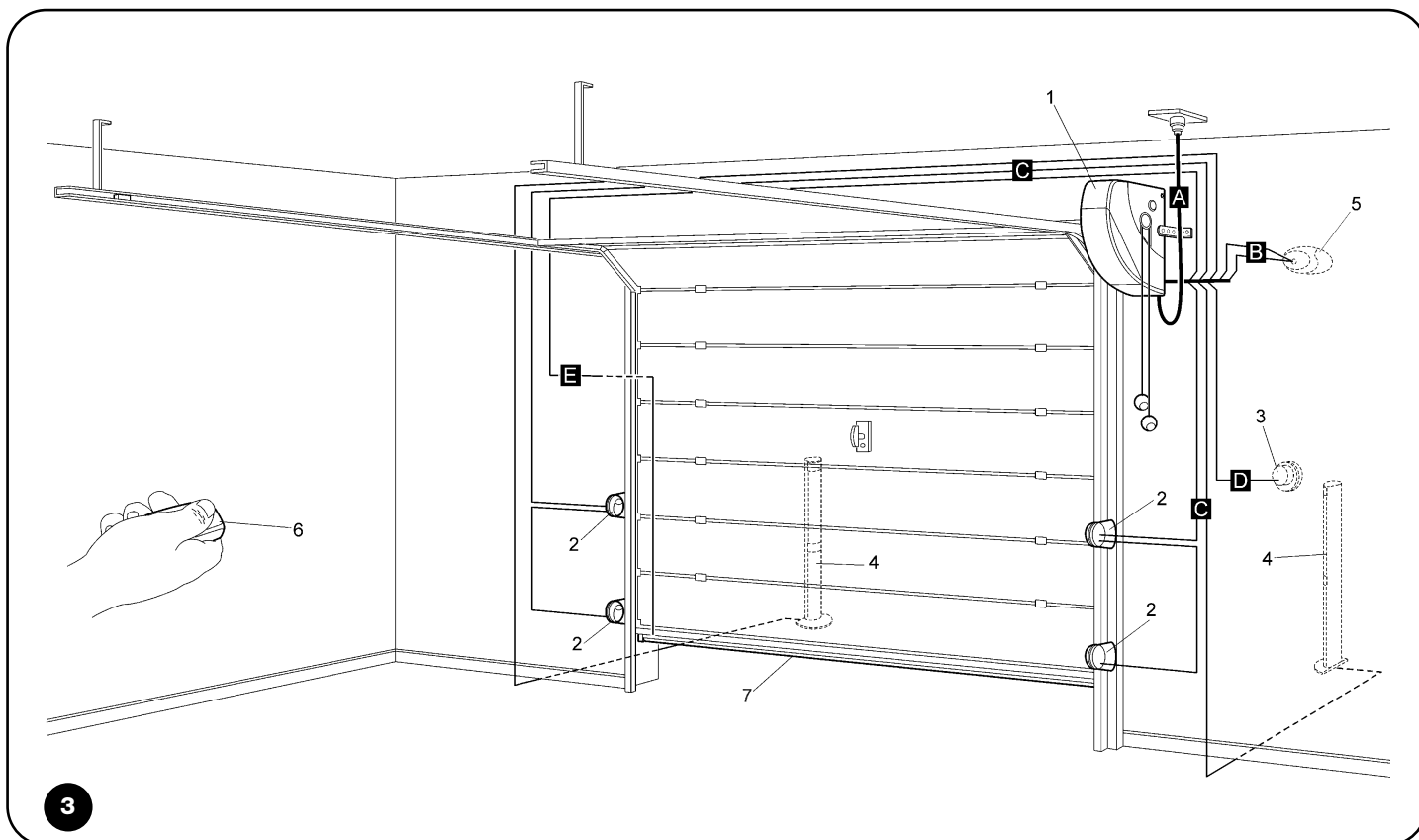
La Fig. 3 illustre l'installation complète d'un opérateur Soon. Le dessin reporte les différents composants et les câbles nécessaires à leur connexion, le tout assemblé et positionné suivant un schéma typique et courant.

Légende des composants mécaniques de la Fig. 3:

- 1 - Opérateur Soon
- 2 - Photocellule
- 3 - Sélecteur à clé
- 4 - Colonne pour photocellule
- 5 - Clignotant
- 6 - Émetteur
- 7 - Bord primaire

Légende des câbles électriques de la Fig. 3:

- A - Ligne électrique d'alimentation
- B - Clignotant avec antenne
- C - Photocellules
- D - Sélecteur à clé
- E - Bord primaire



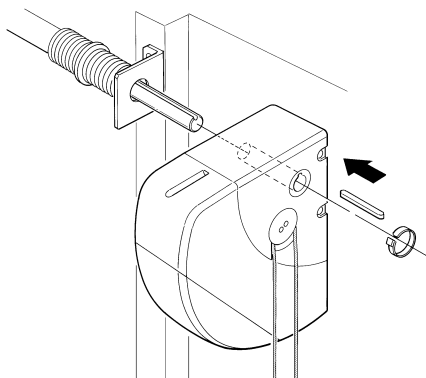
3

4.2) Installer les composants mécaniques

Après avoir terminé les travaux de préparation de l'installation (par exemple, les saignées pour les gaines des câbles électriques ou la pose de conduits à l'extérieur; l'éventuelle fixation dans le béton des tubes susdits et autres travaux nécessaires), on peut procéder au montage et à l'installation complète de tous les composants mécaniques et électriques de Soon. Procéder en suivant l'ordre indiqué ci-après.

Montage de l'opérateur Soon (voir Fig. 4)

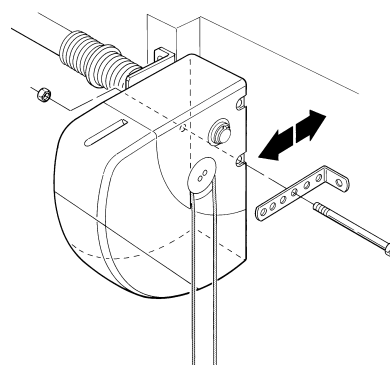
1. (Fig. 4-a) Enfiler l'arbre de sortie de Soon dans l'arbre de transmission du mouvement de la porte sectionnelle en les accouplant à l'aide de la clavette fournie.



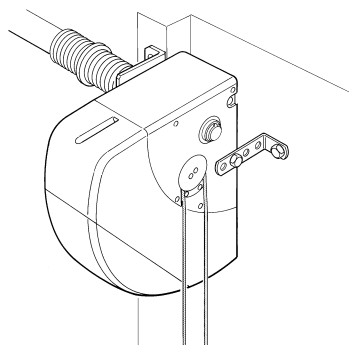
4a

Effectuer cette opération avec la porte FERMÉE.

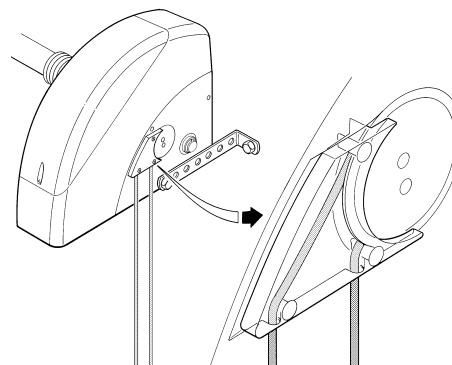
2. (Fig. 4-b) Fixer la patte de fixation sur Soon à l'aide de la vis, de l'écrou et de la rondelle fournis.
3. (Fig. 4-c) Fixer la patte au mur avec une cheville (non fournie) adaptée au matériau du mur.
4. (Fig. 4-d) On peut installer Soon en position horizontale avec un renvoi particulier (fourni) qui doit être fixé avec trois vis (fournies) dans la position illustrée, en faisant attention aux sorties des câbles de débrayage.



4b



4c



4d

4.3) Pose des câbles électriques (voir Fig. 3 et Tab. 1)

Quand l'installation des différents composants mécaniques est terminée, procéder à la pose de tous les câbles électriques nécessaires en se référant à la Fig. 3 qui montre la position typique de ces câbles, et au Tableau 1 qui en analyse en détail les caractéristiques techniques.

⚠ Les câbles utilisés pour les connexions des différents dispositifs doivent être adaptés au type d'installation que l'on compte effectuer: si l'installation s'effectue dans un endroit couvert ou à l'intérieur, nous conseillons un câble type H03VV-F.

CARACTÉRISTIQUES DES CÂBLES ÉLECTRIQUES

(Les lettres associées aux câbles sont les mêmes que celles de la Fig. 3)

Tableau 1: liste des câbles

Connexion	Type de câble	Longueur maximum admise
A: Ligne électrique d'alimentation	1 câble (3 x 1,5 mm ²)	30 m (*)
B: Clignotant	1 câble (2 x 1 mm ²)	20 m
C: Antenne	1 câble blindé (type RG58)	20 m (longueur conseillée: moins de 5 m)
D: Photocellule	1 câble (2 x 0,5 mm ²)	30 m
E: Sélecteur à clé	1 câble (4 x 0,5 mm ²)	50 m
F: Connexion des bords mobiles	1 câble (2 x 0,5 mm ²)	20 m

Notes: (*) Si le câble d'alimentation dépasse les 30 m, il faut utiliser un câble d'une plus grande section (exemple: 3 x 2,5 mm² et il faut procéder à une mise à la terre à proximité de l'automatisme.

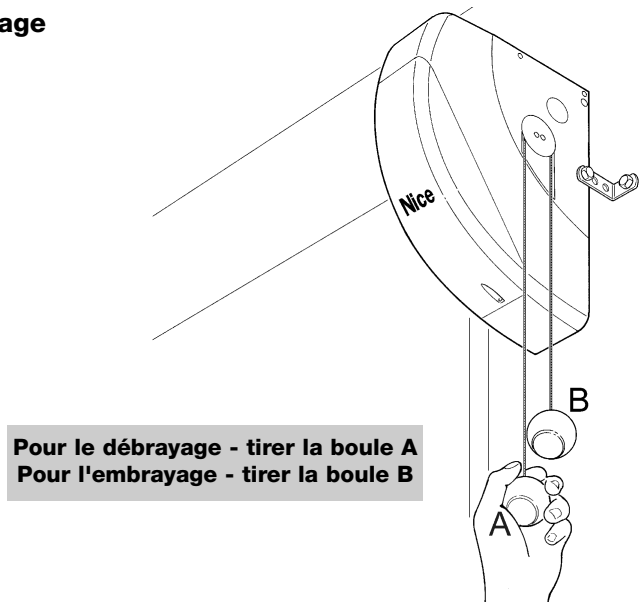
4.4) Procédure manuelle d'embrayage et de débrayage

⚠ Se référer à cette procédure à chaque fois que dans la notice, on invite à « embrayer » ou à « débrayer » manuellement le mécanisme du SOON.

Notes:

Les manœuvres de débrayage ou d'embrayage du mécanisme doivent être faites exclusivement avec l'opérateur complètement arrêté.

- L'opération manuelle doit être effectuée dans les cas de manque de courant, d'anomalie de l'installation ou si la notice le demande expressément.
- Le débrayage manuel permet de manœuvrer librement la porte sectionnelle



Pour le débrayage - tirer la boule A
Pour l'embrayage - tirer la boule B

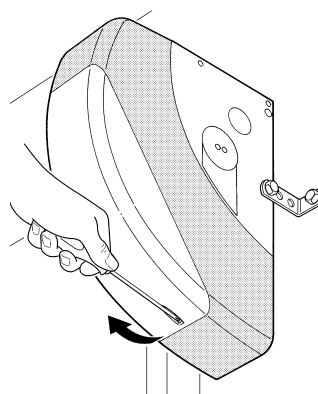
5) Effectuer les connexions électriques

⚠ Dans le but de garantir la sécurité de l'installateur et d'éviter des dommages aux composants de l'automatisme, avant d'effectuer les connexions électriques ou d'embrocher le récepteur radio, vérifier que la logique de commande est DÉCONNECTÉE du secteur électrique et des éventuelles batteries tampon.

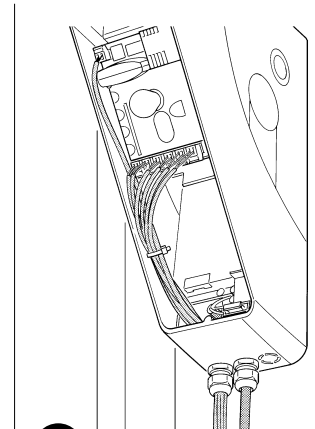
5.1) Connecter tous les dispositifs

Toutes les connexions électriques doivent être réalisées avec l'installation hors tension.

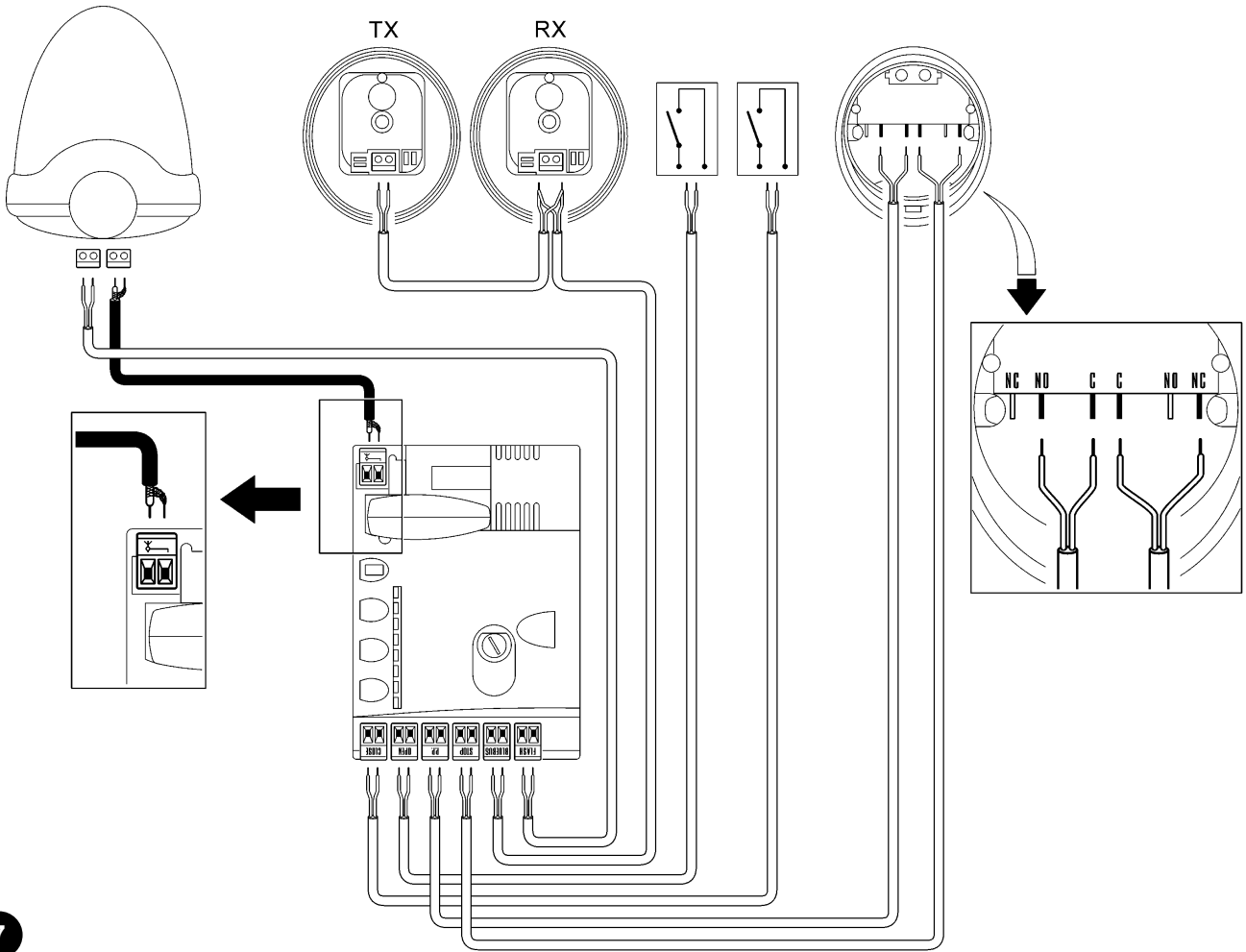
1. Pour éliminer le couvercle de protection et accéder à la logique électronique de commande de Soon il faut enlever la vis et soulever le couvercle en le tirant vers le haut (Fig. 5).
2. Desserrer le presse-étoupe libre et faire passer les câbles pour la connexion aux bornes de la logique. Laisser les câbles 20÷30 cm plus longs que nécessaire. Voir le tableau N°1 pour le type de câble et la Fig. 6 pour les connexions.
3. Connecter les câbles suivant le schéma de la Fig. 7. Pour plus de commodité, les bornes sont extractibles.
4. Quand les connexions sont terminées, bloquer les câbles en serrant le presse-étoupe. La partie du câble d'antenne en excès doit être fixée aux autres câbles à l'aide d'un autre collier.





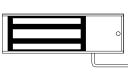
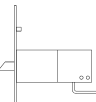
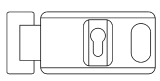
5



6



7

FLASH	<p>Cette sortie est programmable (voir la DEUXIÈME PARTIE du manuel) pour connecter l'un des dispositifs suivants:</p>
	<p>Clignotant Si elle est programmée comme « clignotant » sur la sortie « FLASH » il est possible de connecter un clignotant NICE «LUCY B» avec une ampoule à 12 V 21 W type auto. Durant la manœuvre elle clignote à une fréquence de 0,5 s allumée et 0,5 s éteinte.</p>
	<p>Sortie « Voyant porte ouverte » Si elle est programmée comme « voyant porte ouverte » sur la sortie « FLASH » il est possible de connecter un voyant 24 V max. 5 W pour la signalisation de la porte ouverte. Elle peut également être programmée pour d'autres fonctions; voir la DEUXIÈME PARTIE de la notice.</p>
	<p>Ventouse* Si elle est programmée comme « ventouse » sur la sortie « FLASH » il est possible de connecter une ventouse 24 V max. 10 W (versions avec électroaimant uniquement, sans dispositifs électroniques). Quand la porte est fermée la ventouse est activée en bloquant la porte. <u>Durant la manœuvre d'ouverture ou de fermeture elle est désactivée.</u></p>
	<p>Verrou électrique* Si elle est programmée comme « verrou électrique » sur la sortie « FLASH » il est possible de connecter un verrou électrique avec pêne-piston 24 V max. 10 W (versions avec électroaimant uniquement, sans dispositifs électroniques). Durant la manœuvre d'ouverture le verrou électrique est activé et reste actif pour libérer la porte et exécuter la manœuvre. Lors de la manœuvre de fermeture, s'assurer que le verrou électrique se réenclenche mécaniquement.</p>
	<p>Serrure électrique* Si elle est programmée comme « serrure électrique » sur la sortie « FLASH » il est possible de connecter une serrure électrique avec pêne-piston 24 V max. 10 W (versions avec électroaimant uniquement, sans dispositifs électroniques). Durant la manœuvre d'ouverture la serrure électrique est activée et reste active pendant une courte période pour libérer la porte et exécuter la manœuvre. Lors de la manœuvre de fermeture, s'assurer que la serrure électrique se réenclenche mécaniquement.</p>
BLUEBUS	<p>Sur cette borne, on peut connecter les dispositifs compatibles; ils sont tous connectés en parallèle avec seulement deux conducteurs sur lesquels transitent aussi bien l'alimentation électrique que les signaux de communication. D'autres informations sur BlueBUS se trouvent dans le paragraphe « 5.2 - Connecter les dispositifs BlueBUS ».</p>
STOP	<p>Entrée pour dispositifs qui bloquent ou éventuellement arrêtent la manœuvre en cours; en adoptant certaines solutions sur l'entrée, il est possible de connecter des contacts type « Normalement Fermé », « Normalement Ouvert », des dispositifs à résistance constante ou de type optique. D'autres informations sur STOP se trouvent dans le paragraphe « 5.3 - Connecter les dispositifs à l'Entrée STOP ».</p>
PP	<p>entrée pour dispositifs qui commandent le mouvement en mode Pas à Pas; on peut y connecter des contacts de type « Normalement Ouvert ».</p>
OPEN	<p>entrée pour dispositifs qui commandent le mouvement d'ouverture uniquement; on peut y connecter des contacts de type « Normalement Ouvert ».</p>
CLOSE	<p>entrée pour dispositifs qui commandent le mouvement de fermeture uniquement; on peut y connecter des contacts de type « Normalement Ouvert ».</p>
ANTENNA	<p>entrée pour la connexion de l'antenne pour récepteur radio (l'antenne est incorporée sur LUCY B).</p>

* Seuls les dispositifs contenant uniquement l'électroaimant peuvent être raccordés

⚠ Ne pas utiliser de dispositifs différents de ceux qui sont prévus

F

5.2) Connecter les dispositifs bluebus

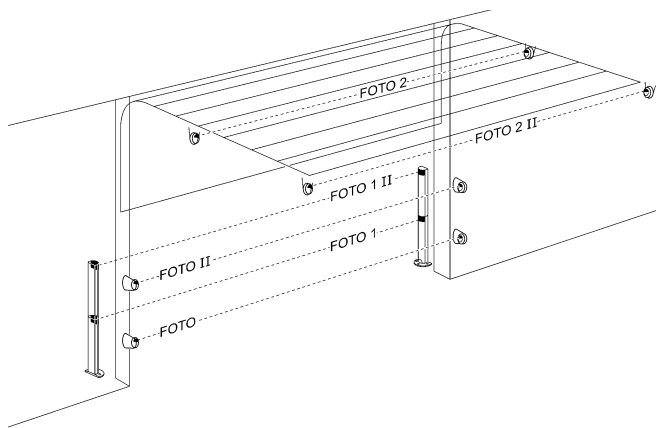
BlueBUS est une technique qui permet d'effectuer les connexions des dispositifs compatibles avec seulement deux conducteurs sur lesquels transitent aussi bien l'alimentation électrique que les signaux de communication. Tous les dispositifs sont connectés en parallèle sur les 2 mêmes conducteurs de BlueBUS sans devoir respecter une polarité quelconque; chaque dispositif est reconnu individuellement car au cours de l'installation le système lui attribue une adresse univoque. Il est possible de connecter à BlueBUS, par exemple: des photocellules, des dispositifs de sécurité, des boutons

de com-mande, des voyants de signalisation, etc. La logique de com-mande de SOON reconnaît un par un tous les dispositifs connectés à travers une procédure de reconnaissance ad hoc et est en mesure de détecter de manière extrêmement sûre toutes les éventuelles anomalies. Pour cette raison, à chaque fois qu'on ajoute ou qu'on enlève un dispositif connecté à BlueBUS il faudra effectuer dans la logique la procédure de reconnaissance décrite dans le paragraphe « 7.1 - Mémorisation dispositifs ».

5.2.1) Photocellules

Le système « BlueBUS » permet, à travers l'adressage avec les cavaliers prévus à cet effet, la reconnaissance des photocellules de la part de la logique et d'attribuer la fonction de détection correcte. L'opération d'adressage doit être faite aussi bien sur TX que sur RX (en plaçant les cavaliers de la même manière) en vérifiant qu'il n'y a pas d'autres paires de photocellules ayant la même adresse.

Dans un automatisme pour portes sectionnelles avec SOON on peut installer les photocellules suivant la représentation de la Fig. 8. Après l'installation ou l'enlèvement de photocellules, il faudra effectuer dans la logique la phase de reconnaissance comme le décrit le paragraphe « 7.1 - Mémorisation dispositifs ».



8

Tableau 2: adresses des photocellules

Photocellule	Cavaliers	Photocellule	Cavaliers
PHOTO Photocellule h = 50 avec intervention en fermeture		PHOTO 2 Photocellule avec intervention en ouverture	
PHOTO II Photocellule h = 100 avec intervention en fermeture		PHOTO 2 II Photocellule avec intervention en ouverture	
PHOTO 1 Photocellule h = 50 avec intervention tant en fermeture qu'en ouverture		PHOTO 3 CONFIGURATION NON AUTORISÉE	
PHOTO 1 II Photocellule h = 100 avec intervention tant en fermeture qu'en ouverture			

5.2.2) Photodétecteur FT210B

Le photodétecteur FT210B réunit dans un seul dispositif un système de limitation de la force (type C suivant la norme EN12453) et un détecteur de présence qui détecte les obstacles présents sur l'axe optique entre l'émetteur TX et le récepteur RX (type D suivant la norme EN12453). Dans le photodétecteur FT210B, les signaux de l'état du bord sensible sont envoyés à travers le rayon de la photocellule en intégrant les 2 systèmes dans un seul dispositif. La partie émettrice située sur le tablier est alimentée par des batteries, ce qui permet d'éliminer les systèmes de connexion, peu esthétiques; les circuits spéciaux réduisent la consommation de la batterie pour garantir jusqu'à 15 ans de durée (voir les détails sur la durée estimée dans les instructions du produit).

Un seul dispositif FT210B associé à un bord sensible (TCB65 par exemple) permet d'atteindre le niveau de sécurité du «bord primaire» requis par la norme EN12453 pour n'importe quel «type d'utilisation» et «type d'activation». Le photodétecteur FT210B associé à des bords sensibles «à variation de résistance» (8,2K Ω), maintient la sécurité en cas de défaut unique (catégorie 3 selon EN 954-1). Il dispose d'un circuit spécial anticollision qui évite les interférences avec d'autres détecteurs même s'ils ne sont pas synchronisés et permet d'ajouter d'autres photocellules; par exemple, en cas de passage de véhicules lourds où l'on place normalement une deuxième photocellule à 1 m du sol. Pour tout renseignement supplémentaire sur les modalités de connexion et d'adressage, voir la notice technique de FT210B.

5.3) Connecter les dispositifs à l'entrée stop

STOP est l'entrée qui provoque l'arrêt immédiat de la manœuvre suivi d'une brève inversion.

On peut connecter à cette entrée des dispositifs avec sortie à contact normalement ouvert « NO », normalement fermé « NF » ou des dispositifs avec sortie à résistance constante 8,2K Ω ou de type optique, par exemple des bords sensibles.

Comme pour BlueBUS, la logique reconnaît le type de dispositif connecté à l'entrée STOP durant la phase de reconnaissance (voir

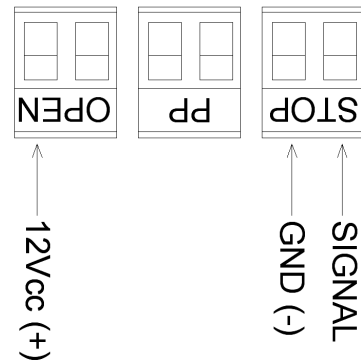
paragraphe « 7.1 - Mémorisation dispositifs); ensuite on a un STOP quand une variation quelconque se vérifie par rapport à l'état reconnu. En adoptant certaines solutions, on peut connecter à l'entrée STOP plusieurs dispositifs, même de type différent:

- Plusieurs dispositifs NO peuvent être connectés les uns aux autres en parallèle sans aucune limite de nombre.
- Plusieurs dispositifs NF peuvent être connectés les uns aux autres en série sans aucune limite de nombre;

- Deux dispositifs avec sortie à résistance constante 8,2KΩ peuvent être connectés en parallèle; s'il y a plus de 2 dispositifs, tous doivent être connectés en « cascade » avec une seule résistance terminale de 8,2KΩ;
- Il est possible de combiner NO et NF en mettant les deux contacts en parallèle, en prenant la précaution de mettre en série au contact NF une résistance de 8,2KΩ (cela donne aussi la possibilité de combiner 3 dispositifs: NO, NF et 8,2KΩ).

⚠ Si l'entrée STOP est utilisée pour connecter des dispositifs avec fonctions de sécurité, seuls les dispositifs avec sortie à résistance constante 8,2KΩ ou les dispositifs optiques OPTO SENSOR garantissent une performance de sécurité de catégorie 3 selon la norme EN 954-1.

Pour la connexion d'un dispositif optique type OPTO SENSOR exécuter par contre les connexions comme dans la Fig. 9:



9

5.4) Connecter l'alimentation électrique

Pour l'alimentation électrique de SOON il suffit de brancher sa fiche électrique dans une prise de courant. Utiliser éventuellement un adaptateur du type disponible dans le commerce si la fiche de SOON ne correspond pas à la prise disponible.

6) Premier allumage de l'installation - vérifications

⚠ Les opérations successives seront effectuées sur des circuits électriques sous tension et les manœuvres pourront résulter dangereuses! Opérer par conséquent avec attention et jamais seuls.

Quand l'installation des composants est terminée et que les connexions électriques ont été effectuées, il faut faire immédiatement quelques vérifications sur le fonctionnement correct de l'installation, avant de continuer. Effectuer ensuite les opérations énumérées ci-après en les cochant au fur et à mesure, après avoir vérifié la conformité des résultats.

6.1) Test de fonctionnement

Dès que l'opérateur SOON est alimenté, il est conseillé de faire quelques vérifications élémentaires:

- Vérifier que la led BLUEBUS clignote régulièrement à la fréquence d'un clignotement à la seconde;
- Si les photocellules sont présentes, vérifier que les led sur les photocellules clignent elles aussi (aussi bien sur TX que sur RX); la fréquence de clignotement n'est pas significative, elle est liée à d'autres facteurs.
- Vérifier que le dispositif connecté à la sortie FLASH est éteint.
- Vérifier que l'éclairage automatique est éteint.

Si tout cela ne se vérifie pas, il faut couper immédiatement l'alimentation de la logique de commande et contrôler plus attentivement les connexions électriques.

7) Mémorisation dispositifs et position

7.1) Mémorisation dispositifs

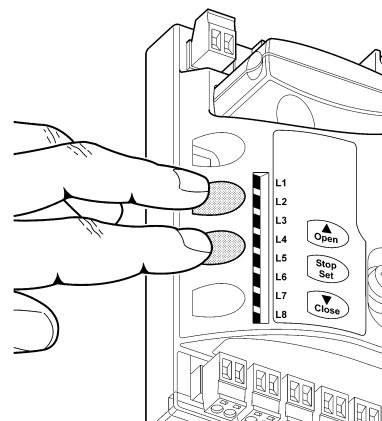
Après le branchement au secteur il faut faire reconnaître par la logique de commande les dispositifs connectés aux entrées BLUEBUS et STOP. Avant cette phase, les led L1 et L2 clignent pour indiquer qu'il faut effectuer la reconnaissance des dispositifs.

⚠ La phase de reconnaissance des dispositifs doit être exécutée même s'il n'y a aucun dispositif connecté.

1. Presser et maintenir enfoncées les touches **[▲]** et **[Set]**;
2. Relâcher les touches quand les led L1 et L2 commencent à clignoter très rapidement (au bout d'environ 3s);
3. Attendre quelques secondes que la logique termine la reconnaissance des dispositifs;

À la fin de la reconnaissance, la led STOP doit rester allumée, les led L1 et L2 s'éteindront (les led L3 et L4 commenceront éventuellement à clignoter).

La phase de reconnaissance des dispositifs connectés peut être refaite à tout moment y compris après l'installation, par exemple si un nouveau dispositif est ajouté.



10

7.2) Mémorisation des positions

Après la reconnaissance des dispositifs il faut faire reconnaître par la logique les positions d'ouverture et de fermeture de la porte. On peut programmer jusqu'à 6 positions qui sont:

Position	Signification
A1	Position d'ouverture maximum désirée. Quand la porte arrive dans cette position, elle s'arrête.
RA1	Position de début ralentissement durant la manœuvre d'ouverture. Quand la porte arrive dans cette position, le moteur décélère en se portant à la vitesse minimum.
RINT	Position de ralentissement intermédiaire dans la manœuvre de fermeture. En programmant ce point, la porte commence à décélérer environ 50 cm avant, de manière à passer la position RINT à la vitesse minimum. Passée la position RINT le moteur se reporte à la vitesse programmée.
AP	Position d'ouverture partielle. C'est la position dans laquelle la porte s'arrête après avoir donné une commande d'ouverture partielle.
RA0	Position de début ralentissement durant la manœuvre de fermeture. Quand la porte arrive dans cette position, le moteur décélère en se portant à la vitesse minimum.
A0	Position de fermeture maximum. Quand la porte arrive dans cette position, elle s'arrête.

Quand les positions n'ont pas été mémorisées, les led L3 et L4 clignotent.

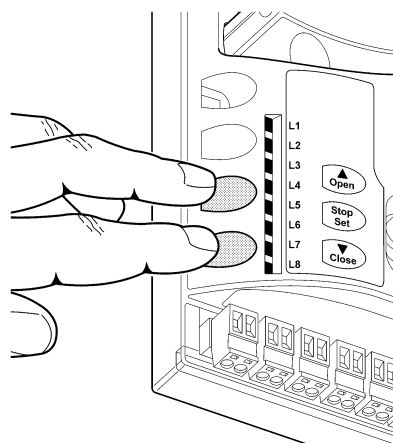
Nous décrivons ci-après la procédure pour la mémorisation des positions. Les positions A1 et A0 doivent être programmées tandis que les autres peuvent être sautées. Dans ce dernier cas, elles seront calculées automatiquement par la logique de commande.

- Presser la touche **[Set]** + **[▼]** pendant 3 secondes pour entrer en mémorisation positions.
La led L1 clignote: programmation position A1
- Avec les touches **[▲]** ou **[▼]** déplacer la porte dans la position d'ouverture maximum.
- Presser la touche **[Set]** pendant 2 secondes pour confirmer la position A1. La led L1 reste allumée.
La led L2 clignote: programmation position RA1
- Si l'on ne souhaite pas programmer la position de ralentissement ouverture, presser rapidement 2 fois la touche **[Set]** pour passer à la programmation successive, la led L2 reste éteinte. Autrement, continuer la séquence d'opérations.
- Avec les touches **[▲]** ou **[▼]** déplacer la porte dans la position de ralentissement ouverture.
- Presser la touche **[Set]** pendant 2 secondes pour confirmer la position RA1. La led L2 reste allumée.
La led L4 clignote: programmation position RINT
- Si l'on ne souhaite pas programmer la position de ralentissement intermédiaire, presser rapidement 2 fois la touche **[Set]** pour passer à la programmation successive, la led L4 reste éteinte. Autrement, continuer la séquence d'opérations.
- Avec les touches **[▲]** ou **[▼]** déplacer la porte dans la position de ralentissement intermédiaire.
- Presser la touche **[Set]** pendant 2 secondes pour confirmer la position RINT. La led L4 reste allumée.
La led L5 clignote: programmation position RAP
- Si l'on ne souhaite pas programmer la position d'ouverture partielle, presser rapidement 2 fois la touche **[Set]** pour passer à la programmation successive, la led L5 reste éteinte. Autrement, continuer la séquence d'opérations.
- Avec les touches **[▲]** ou **[▼]** déplacer la porte dans la position d'ouverture partielle.
- Presser la touche **[Set]** pendant 2 secondes pour confirmer la position RAP. La led L5 reste allumée.
La led L7 clignote: programmation position RA0
- Si l'on ne souhaite pas programmer la position de ralentissement fermeture, presser rapidement 2 fois la touche **[Set]** pour passer à la programmation successive, la led L7 reste éteinte. Autrement, continuer la séquence d'opérations.
- Avec les touches **[▲]** ou **[▼]** déplacer la porte dans la position de ralentissement fermeture.
- Presser la touche **[Set]** pendant 2 secondes pour confirmer la position RA0. La led L7 reste allumée.
La led L8 clignote: programmation position A0
- Avec les touches **[▲]** ou **[▼]** déplacer la porte dans la position de fermeture maximum.
- Presser la touche **[Set]** pendant 2 secondes pour confirmer la position A0. La led L8 reste allumée.
- Quand on relâche la touche **[Set]** toutes les led s'éteignent.
- Donner une commande d'ouverture en pressant la touche **[Open]** pour effectuer une manœuvre complète d'ouverture.
- Donner une commande de fermeture en pressant la touche **[Close]** pour effectuer une manœuvre complète de fermeture.

Durant ces manœuvres la logique de commande mémorise la force nécessaire dans les mouvements d'ouverture et de fermeture.

Il est important que ces premières manœuvres ne soient pas interrompues, par ex. par une commande d'ARRÊT.

La phase de reconnaissance des positions peut être refaite à tout moment même après l'installation; il suffit de recommencer à partir du point 1. Si par contre il est nécessaire de modifier une seule position, répéter la séquence d'opérations à partir du point 1 et sauter la programmation des positions à exclure en pressant rapidement 2 fois la touche **[Set]** pour chaque position à sauter.



8) Effectuer l'essai final de l'installation

8.1) Test pour l'essai final

Chaque élément de l'automatisme comme par exemple les bords sensibles, les photocellules, l'arrêt d'urgence, etc. demande une phase spécifique d'essai; pour ces dispositifs, il faudra effectuer les procédures figurant dans les notices techniques correspondantes.

Pour l'essai de SOON, effectuer les opérations suivantes:

1. Vérifier que tout ce qui est prévu dans le chapitre 1 « AVERTISSEMENTS » est respecté.
2. Débrayer la porte du moteur en tirant le cordon de débrayage vers le bas. Vérifier qu'il est possible de bouger manuellement la porte en ouverture et en fermeture avec une force ne dépassant pas 225 N.
3. Embrayer la porte au moteur en tirant manuellement le cordon d'embrayage.
4. En utilisant le sélecteur ou l'émetteur radio, effectuer des essais de fermeture et d'ouverture de la porte et vérifier que le comportement correspond à ce qui est prévu.
5. Il convient d'effectuer différentes manœuvres pour contrôler le bon coulisement de la porte et détecter les éventuels défauts de montage et de réglage ainsi que la présence de points de frottement.
6. Vérifier un par un le fonctionnement correct de tous les dispositifs de sécurité présents dans l'installation (photocellules, bords sensibles, etc.). En particulier, à chaque fois qu'un dispositif intervient, la led « BlueBUS » sur la logique de commande effectue 2 clignotements plus rapides qui confirment qu'elle reconnaît l'événement.
7. Pour le contrôle des photocellules et en particulier pour contrôler qu'il n'y a pas d'interférences avec d'autres dispositifs, passer un cylindre d'un diamètre de 5 cm et d'une longueur de 30 cm sur l'axe optique, d'abord à proximité de TX, puis de RX, et enfin au centre entre les deux et vérifier que dans tous les cas le dispositif intervient en passant de l'état d'actif à l'état d'alarme et vice versa; pour finir, vérifier que cela provoque dans la logique l'action prévue, par exemple: dans la manœuvre de fermeture, vérifier que cette action provoque l'inversion du mouvement.
8. Si la protection contre les situations dangereuses provoquées par le mouvement de la porte a été assurée à travers la limitation de la force d'impact, il faut effectuer la mesure de la force conformément à ce qui est prévu par la norme EN 12445. Si le réglage de la « Vitesse » ou le contrôle de la « Force Moteur » sont utilisés pour aider le système à réduire la force d'impact, essayer et trouver le réglage qui donne les meilleurs résultats.

8.2) Mise en service

La mise en service ne peut être faite que si toutes les phases d'essai de Soon et des autres dispositifs ont été exécutées avec résultat positif. La mise en service partielle ou dans des situations « provisoires » n'est pas autorisée.

1. Réaliser et conserver pendant au moins 10 ans le dossier technique de l'automatisme qui devra comprendre au minimum: dessin d'ensemble de l'automatisation, schéma des connexions électriques, analyse des risques et solutions adoptées, déclaration de conformité du fabricant de tous les dispositifs utilisés (pour Soon, utiliser la déclaration CE de conformité ci-jointe), exemplaire de la notice technique et du plan de maintenance de l'automatisme;
2. Appliquer sur la porte une plaquette contenant au moins les données suivantes: type d'automatisme, nom et adresse du constructeur (responsable de la « mise en service »), numéro de série, année de construction et marque CE;
3. Fixer de manière permanente à proximité de la porte une étiquette ou une plaque indiquant les opérations à effectuer pour le débrayage et la manœuvre manuelle.
4. Fixer de manière permanente sur la porte une étiquette ou une plaque avec cette image (hauteur minimum 60 mm).
5. Remplir et remettre au propriétaire la déclaration de conformité de l'automatisme;
6. Rédiger et remettre au propriétaire de l'automatisme la notice « Instructions et avertissements pour l'utilisation de l'automatisme »;
7. Réaliser et remettre au propriétaire le plan de maintenance de l'automatisme (qui doit regrouper toutes les prescriptions pour la maintenance de chaque dispositif).
8. Avant de mettre en service l'automatisme, informer le propriétaire, de manière adéquate et par écrit (par exemple dans le manuel d'instructions et d'avertissements pour l'utilisation de l'automatisme), sur les risques encore présents.



9) Instructions pour personnaliser le fonctionnement de l'automatisme

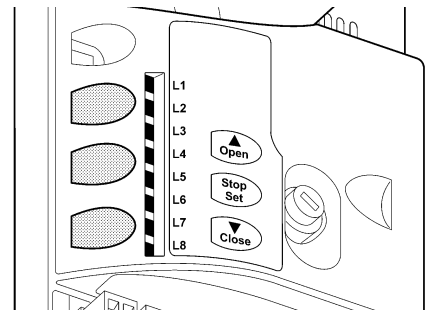
Cette DEUXIÈME PARTIE décrit comment personnaliser le fonctionnement de l'automatisme, à travers les réglages et options à mémoriser dans la mémoire de la Logique de commande. Une section finale est consacrée à la résolution des problèmes, à la maintenance et à la mise au rebut du produit.

9.1) Touches de programmation

Sur la logique de commande de SOON se trouvent 3 touches qui peuvent être utilisées aussi bien pour la commande de la logique durant les essais que pour les programmations:

OPEN ▲	La touche « OPEN » permet de commander l'ouverture de la porte ou de déplacer vers le haut le point de programmation
STOP SET	La touche « STOP » permet d'arrêter la manœuvre et si elle est pressée plus de 5 secondes, elle permet d'entrer en programmation.
CLOSE ▼	La touche « CLOSE » permet de commander la fermeture de la porte ou de déplacer vers le bas le point de programmation.

12



10) Programmations

Des fonctions programmables sont disponibles dans la logique de commande de SOON; le paramétrage des fonctions s'effectue à l'aide de trois touches présentes sur la logique: [▲] [Set] [▼] et sont visualisées par 8 led: **L1....L8**.

Les fonctions programmables disponibles sur SOON sont réparties en deux niveaux:

Premier niveau: fonctions réglables en mode ON-OFF (actif ou non actif); dans ce cas, chaque led **L1....L8** indique une fonction, si elle est allumée la fonction est active, si elle est éteinte la fonction n'est pas active; voir Tab. 3.

Deuxième niveau: paramètres réglables sur une échelle de valeurs (valeurs d'1 à 8); dans ce cas, chaque led **L1....L8** indique la valeur réglée parmi les 6 possibles; voir Tab. 4.

10.1) Fonctions premier niveau

Tableau 3: liste fonctions programmables: premier niveau

Led	Fonction	Description
L1	Fermeture automatique	Cette fonction permet une fermeture automatique de la porte après le temps de pause programmé; le temps de pause est réglé en usine à 30 secondes mais peut être modifié et réglé sur 10, 20, 40, 60, 80, 120, 160 et 200 secondes. Si la fonction n'est pas active, le fonctionnement est « semi-automatique ».
L2	Refermeture après passage devant la photocellule	Cette fonction permet de garder la porte ouverte uniquement le temps nécessaire au transit, en effet l'intervention de « Photo » provoque toujours une refermeture automatique avec un temps de pause de 5 s (indépendamment de la valeur programmée); le comportement varie suivant si la « Fermeture Automatique » est active ou pas. Avec « Fermeture Automatique » inactive: La porte atteint toujours la position d'ouverture totale (même si Photo est libérée avant). La libération de la photocellule provoque la refermeture automatique au bout de 5 s. Avec « Fermeture Automatique » active: la manœuvre d'ouverture s'arrête juste après que les photocellules aient été libérées et provoque la manœuvre de refermeture automatique au bout de 5 s. La fonction de « refermeture après passage devant la photocellule » est toujours désactivée dans les manœuvres interrompues avec une commande de Stop. Si la fonction « refermeture après passage devant la photocellule » n'est pas active, le temps de pause sera celui qui est programmé ou bien il n'y aura pas de refermeture automatique si la fonction n'est pas active.
L3	Ferme toujours	La fonction « Ferme toujours » intervient, en provoquant une fermeture, quand au retour de l'alimentation la logique détecte la porte ouverte. Pour des questions de sécurité, la manœuvre est précédée par 3 s de préclignotement. Si la fonction n'est pas active au retour de l'alimentation, la porte restera arrêtée.
L4	Stand-By	Cette fonction permet de réduire au maximum la consommation d'énergie. Si cette fonction est active, 1 minute après la fin de la manœuvre, la logique éteint BlueBUS (et donc les dispositifs) et toutes les led sauf la led BlueBUS qui clignotera plus lentement. Quand une commande arrive, la logique rétablit le plein fonctionnement. Si la fonction n'est pas active, il n'y aura pas de réduction de la consommation.
L5	Inversion longue	Cette fonction permet de sélectionner le type d'inversion effectuée par la porte à cause de l'intervention de STOP et du limiteur de force. Si la fonction n'est pas active l'inversion est brève (15 cm environ). Si la fonction est active l'inversion s'effectue jusqu'à la position d'ouverture ou de fermeture maximum.
L6	Préclignotement	Avec la fonction de préclignotement, une pause de 3 s est ajoutée entre l'allumage du clignotant et le début de la manœuvre pour avertir l'utilisateur de la situation de danger. Si la fonction n'est pas active, l'allumage du clignotant coïncide avec le début de la manœuvre.
L7	Sensibilité	Cette fonction permet d'augmenter considérablement la sensibilité du moteur dans la détection des obstacles. Si elle est utilisée comme aide pour la mesure de la force d'impact régler aussi les paramètres « Vitesse » et « Force moteur » dans le menu du deuxième niveau.
L8	Compensation	Cette fonction permet de récupérer l'allongement dans le temps des câbles métalliques de la porte et elle est subordonnée à l'emploi d'un bord sensible à variation de résistance 8,2KΩ ou de type optique OSE.

Durant le fonctionnement normal de SOON, quand aucune manœuvre n'est en cours, les led **L1....L8** sont allumées ou éteintes suivant l'état de la fonction à laquelle elles correspondent, par exemple **L1** est allumée si la « fermeture automatique » est active.

10.2) Fonctions premier niveau

En usine, les fonctions du premier niveau sont toutes mises sur « OFF » mais on peut les modifier à tout moment en suivant les indications données ci-après. Faire attention dans l'exécution de la procédure car il y a un temps maximum de 10 s entre la pression d'une touche et l'autre, autrement la procédure se termine automatiquement en mémorisant les modifications faites jusqu'à ce moment-là.

1. Presser et maintenir enfoncée la touche **[Set]** pendant environ 3 s.
2. Relâcher la touche **[Set]** quand la led L1 commence à clignoter.
3. Presser les touches **[▲]** ou **[▼]** pour déplacer la led clignotante sur la led qui correspond à la fonction à modifier.
4. Presser la touche **[Set]** pour changer l'état de la fonction (clignotement bref = OFF; clignotement long = ON)

Attendre 10 s pour sortir de la programmation pour temps maximum écoulé.

Note: les points 3 et 4 peuvent être répétés au cours de la même phase de programmation pour mettre d'autres fonctions en mode ON ou OFF.

10.3) Fonctions deuxième niveau (paramètres réglables)

Tableau 4: liste fonctions programmables: deuxième niveau

Led d'entrée	Paramètre	Led (niveau)	Valeur	Description
L1	Temps de pause	L1	10 secondes	Règle le temps de pause, c'est-à-dire le temps avant la refermeture automatique. La fonction n'a d'effet que si la fermeture automatique est active.
		L2	20 secondes	
		L3	40 secondes	
		L4	60 secondes	
		L5	80 secondes	
		L6	120 secondes	
		L7	160 secondes	
		L8	200 secondes	
L2	Fonction P.P.	L1	Ouverture - stop - fermeture - stop	Règle la séquence de commandes associées à l'entrée P.P. ou bien à la 1 ^{re} commande radio.
		L2	Ouverture - stop - fermeture - ouverture	
		L3	Ouverture - fermeture - ouverture - fermeture	
		L4	Fonctionnement collectif	
		L5	Fonctionnement collectif 2 (plus de 2 s entraîne un arrêt)	
		L6	Pas à pas 2 (moins de 2 s entraîne une ouverture partielle)	
		L7	Commande « par action maintenue »	
		L8	Ouverture en « semi-automatique », fermeture avec commande « par action maintenue »	
L3	Vitesse moteur	L1	Vitesse 1 (30 % - lente)	Règle la vitesse du moteur durant la course normale.
		L2	Vitesse 2 (44 %)	
		L3	Vitesse 3 (58 %)	
		L4	Vitesse 4 (72 %)	
		L5	Vitesse 5 (86 %)	
		L6	Vitesse 6 (100 % - rapide)	
		L7	Ouverture V4, fermeture V2	
		L8	Ouverture V6, fermeture V4	
L4	Sortie FLASH	L1	Voyant porte ouverte	Sélectionne le dispositif connecté à la sortie FLASH.
		L2	Active si la porte est fermée	
		L3	Active si la porte est ouverte	
		L4	Clignotant	
		L5	Verrou électrique	
		L6	Serrure électrique	
		L7	Ventouse	
		L8	Voyant maintenance	
L5	Force moteur en ouverture	L1	Force 1 (basse)	Règle le système de contrôle de la force du moteur pour l'adapter au poids de la porte durant la manœuvre d'ouverture.
		L2	Force 2	
		L3	Force 3	
		L4	Force 4	
		L5	Force 5	
		L6	Force 6	
		L7	Force 7	
		L8	Force 8 (haute)	
L6	Force moteur en fermeture	L1	Force 1 (basse)	Règle le système de contrôle de la force du moteur pour l'adapter au poids de la porte durant la manœuvre de fermeture.
		L2	Force 2	
		L3	Force 3	
		L4	Force 4	
		L5	Force 5	
		L6	Force 6	
		L7	Force 7	
		L8	Force 8 (haute)	

Note: "■" représente le réglage fait en usine.

SEGUE

Led d'entrée	Paramètre	Led (niveau)	Valeur	Description
L7	Avis de maintenance	L1	Automatique (suivant la charge de travail des manœuvres)	Règle le nombre de manœuvres au bout duquel il faut signaler la demande de maintenance de l'automatisme (voir paragraphe 13 « Avis de maintenance »).
		L2	1.000	
		L3	2.000	
		L4	4.000	
		L5	6.000	
		L6	8.000	
		L7	10.000	
		L8	12.000	
L8	Liste des anomalies	L1	Résultat 1 ^{re} manœuvre (la plus récente)	Permet de vérifier le type d'anomalie qui s'est vérifiée dans les 8 dernières manœuvres (voir paragraphe « 14 Liste historique des anomalies »).
		L2	Résultat 2 ^e manœuvre	
		L3	Résultat 3 ^e manœuvre	
		L4	Résultat 4 ^e manœuvre	
		L5	Résultat 5 ^e manœuvre	
		L6	Résultat 6 ^e manœuvre	
		L7	Résultat 7 ^e manœuvre	
		L8	Résultat 8 ^e manœuvre	

Note: "■" représente le réglage fait en usine.

Tous les paramètres peuvent être réglés suivant les préférences sans aucune contre-indication; seul les réglages « Force moteur en ouverture » « Force moteur en fermeture » pourraient demander une attention particulière:

- Il est déconseillé d'utiliser des valeurs de force élevées pour compenser le fait que le tablier a des points de friction anormaux. Une force excessive peut compromettre le fonctionnement du système de sécurité ou endommager le tablier.
- Si le contrôle de la « Force moteur » est utilisé comme soutien du système pour la réduction de la force d'impact, après chaque réglage, répéter la mesure de la force, comme le prévoit la norme EN 12445.
- L'usure et les conditions atmosphériques peuvent influencer le mouvement de la porte, périodiquement il faut reconstrôler le réglage de la force.

10.4) Programmations deuxième niveau

En usine, les paramètres réglables sont réglés comme l'illustre le Tab. 4 avec: "■" mais ils peuvent être modifiés à tout moment suivant les indications données ci-après. Faire attention dans l'exécution de la procédure car il y a un temps maximum de 10 s entre la pression d'une touche et l'autre, autrement la procédure se termine automatiquement en mémorisant les modifications faites jusqu'à ce moment-là.

1. Presser et maintenir enfoncée la touche **[Set]** pendant environ 3 s.
2. Relâcher la touche **[Set]** quand la led L1 commence à clignoter.
3. Presser les touches **[▲]** ou **[▼]** pour déplacer la led clignotante sur la « led d'entrée » qui correspond au paramètre à modifier.
4. Presser et maintenir enfoncée la touche **[Set]**, la pression doit être maintenue sur la touche **[Set]** pendant toute la durée des phases 5 et 6.
5. Attendre environ 3 s puis la led qui correspond au niveau actuel du paramètre à modifier s'allumera.
6. Presser les touches **[▲]** ou **[▼]** pour déplacer la led qui correspond à la valeur du paramètre.
7. Relâcher la touche **[Set]**

Attendre 10 s pour sortir de la programmation pour temps maximum écoulé.

Note: les points 3 à 7 peuvent être répétés au cours de la même phase de programmation pour régler plusieurs paramètres.

11) Avis de maintenance

SOON permet d'aviser l'utilisateur quand il faut procéder à la maintenance de l'automatisme. Le nombre de manœuvres après lequel s'effectue la signalisation est sélectionnable parmi 8 niveaux, avec le paramètre réglable « Avis de maintenance » (voir Tab. 4).

Le niveau 1 de réglage est « automatique » et tient compte de l'intensité et des conditions des manœuvres, c'est-à-dire de l'effort et de la durée de la manœuvre, tandis que les autres réglages sont fixés en fonction du

nombre de manœuvres. La signalisation de demande de maintenance s'effectue à travers le clignotant ou le voyant de maintenance suivant la programmation (voir Tab. 4).

Suivant le nombre de manœuvres effectuées par rapport à la limite programmée, le clignotant Flash et le voyant de maintenance donnent les signalisations indiquées dans le Tab. 5

Tableau 5: avis de maintenance avec Flash et voyant de maintenance

Nombre de manœuvres	Signalisation sur Flash	Signalisation sur voyant maintenance
Inférieur à 80 % de la limite	Normal (0,5 s allumé, 0,5 s éteint)	Allumé pendant 2 s au début de l'ouverture.
Entre 81 et 100 % de la limite	Au début de la manœuvre, il reste allumé pendant 2 s puis continue normalement.	Clignote pendant toute la manœuvre.
Au-delà de 100 % de la limite	Au début et à la fin de la manœuvre, il reste allumé pendant 2 s puis continue normalement.	Clignote constamment.

11.1) Vérification du nombre de manœuvres effectuées

Avec la fonction d'« Avis de maintenance », il est possible de vérifier le nombre de manœuvres effectuées en pourcentage sur la limite fixée. Pour le contrôle, procéder suivant les indications ci-après.

1. Presser et maintenir enfoncée la touche **[Set]** pendant environ 3 s.
2. Relâcher la touche **[Set]** quand la led L1 commence à clignoter.
3. Presser les touches **[▲]** ou **[▼]** pour déplacer la led clignotante sur L7, c'est-à-dire la « led d'entrée » qui correspond au paramètre « Avis de maintenance ».
4. Presser et maintenir enfoncée la touche **[Set]**, la pression doit être maintenue sur la touche **[Set]** pendant toute la durée des phases 5, 6 et 7.
5. Attendre environ 3 s puis la led qui représente le niveau actuel du paramètre « Avis de maintenance » s'allumera.
6. Presser puis relâcher immédiatement les touches **[▲]** et **[▼]**.
7. La led correspondant au niveau sélectionné émettra quelques clignotements. Le nombre de clignotements identifie le pourcentage de manœuvres effectuées (en multiples de 10 %) par rapport à la limite programmée. Par exemple: avec l'avis de maintenance programmé sur L7, c'est-à-dire 10 000, 10 % correspond à 1 000 manœuvres; si la led de signalisation émet 4 clignotements, cela signifie que l'on a atteint 40 % des manœuvres (c'est-à-dire entre 4 000 et 4 999 manœuvres). Si l'on n'a pas atteint 10 % des manœuvres, il n'y aura aucun clignotement.
8. Relâcher la touche **[Set]**.

11.2) Mise à zéro du compteur des manœuvres

Après avoir effectué la maintenance de l'installation, il faut mettre à zéro le compteur des manœuvres. Procéder suivant les indications du tableau 18.

1. Presser et maintenir enfoncée la touche **[Set]** pendant environ 3 s.
2. Relâcher la touche **[Set]** quand la led L1 commence à clignoter.
3. Presser les touches **[▲]** ou **[▼]** pour déplacer la led clignotante sur L7, c'est-à-dire la « led d'entrée » qui correspond au paramètre « Avis de maintenance ».
4. Presser et maintenir enfoncée la touche **[Set]**, la pression doit être maintenue sur la touche **[Set]** pendant toute la durée des phases 5 et 6.
5. Attendre environ 3 s puis la led qui représente le niveau actuel du paramètre « Avis de maintenance » s'allumera.
6. Presser et maintenir enfoncées les touches **[▲]** et **[▼]** pendant au moins 5 s puis relâcher les 2 touches. La led correspondant au niveau sélectionné effectuera une série de clignotements rapides pour signaler que le compteur des manœuvres a été mis à zéro.
7. Relâcher la touche **[Set]**.

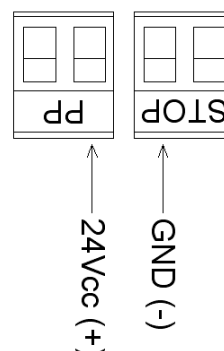
12) Liste historique des anomalies

SOON permet d'afficher les éventuelles anomalies qui se sont vérifiées lors des 8 dernières manœuvres, par exemple, l'interruption d'une manœuvre due à l'intervention d'une photocellule ou d'un bord sensible. Pour vérifier la liste des anomalies procéder suivant les indications ci-après.

1. Presser et maintenir enfoncée la touche **[Set]** pendant environ 3 s.
2. Relâcher la touche **[Set]** quand la led L1 commence à clignoter.
3. Presser les touches **[▲]** ou **[▼]** pour déplacer la led clignotante sur L8, c'est-à-dire la « led d'entrée » pour le paramètre « Liste des anomalies ».
4. Presser et maintenir enfoncée la touche **[Set]**, la pression doit être maintenue sur la touche **[Set]** pendant toute la durée des phases 5 et 6.
5. Attendre environ 3 s puis les led correspondant aux manœuvres qui ont eu des anomalies s'allumeront. La led L1 indique le résultat de la manœuvre la plus récente, la led L8 indique le résultat de la huitième. Si la led est allumée, cela signifie que des anomalies se sont vérifiées durant la manœuvre; si la led est éteinte, cela signifie que la manœuvre s'est terminée sans anomalies.
6. Presser les touches **[▲]** et **[▼]** pour sélectionner la manœuvre désirée: la led correspondante émettra un nombre de clignotements égal à ceux qui sont exécutés normalement par le clignotant après une anomalie.
7. Relâcher la touche **[Set]**.

13) Connexion d'autres dispositifs

S'il est nécessaire d'alimenter des dispositifs extérieurs, par exemple un lecteur de proximité pour cartes transpondeur ou bien l'éclairage du sélecteur à clé, il est possible de prélever l'alimentation comme l'indique la figure 12. La tension d'alimentation est de 24 Vcc \pm 30 % \div +50 % avec courant maximum disponible de 100 mA.



14) Approfondissements: fonctions particulières

14.1) Fonction « Ouvre toujours »

La fonction « Ouvre toujours » est une propriété de la logique de commande qui permet de commander toujours une manœuvre d'ouverture quand la commande de « Pas à Pas » a une durée supérieure à 2 secondes; c'est utile par exemple pour connecter à la borne P.P. le contact d'une horloge de programmation pour maintenir la porte sectionnelle ouverte pendant une certaine plage horaire. Cette propriété est valable quelle que soit la programmation de l'entrée P.P. à l'exclusion de la programmation comme « fonctionnement collectif 2 »; voir paramètre « Fonction P.P. » dans le Tab. 4.

14.2) Fonction « Manœuvre dans tous les cas »

Si un dispositif de sécurité quelconque fonctionne mal ou tombe en panne, il est possible dans tous les cas de commander et de manœuvrer la porte en mode « commande par action maintenue ». Pour tout détail, voir le paragraphe « Commande avec sécurités hors d'usage » présent dans les « Instructions et recommandations destinées à l'utilisateur de l'opérateur SOON ».

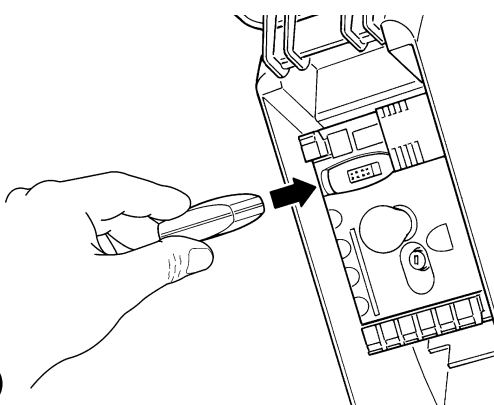
15) Fonctionnement de l'automatisme avec émetteur et récepteur-radio « SM »

Sur la logique se trouve un connecteur pour l'installation d'un récepteur-radio embrochable type « SM » (Fig. 13), pour commander l'automatisme avec un émetteur-radio (le récepteur et l'émetteur sont des accessoires en option). Les quatre Sorties du Récepteur permettent de donner à la logique les commandes suivantes.

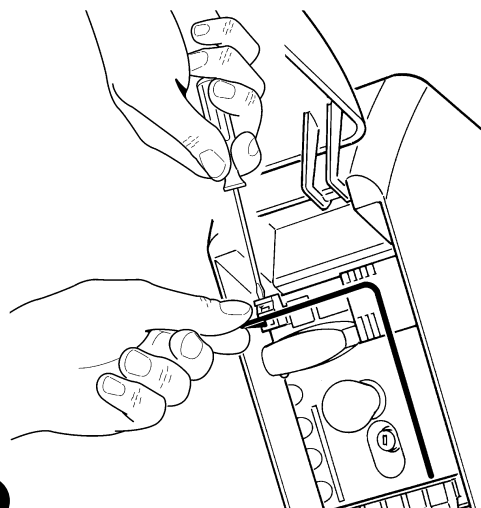
Tableau 6: commandes avec récepteur SMXI, SMXIS

Sortie n° 1	Commande « P.P. » (Pas à Pas)
Sortie n° 2	Commande « Ouverture partielle »
Sortie n° 3	Commande « Ouverture »
Sortie n° 4	Commande « Fermeture »

Si on n'utilise pas l'antenne incorporée à LUCYB ou un autre type d'antenne extérieure, visser le câble rigide fourni avec le récepteur à la borne de l'antenne (Fig. 14).



13



14

16) Contrôle et diagnostic automatique des anomalies de fonctionnement

Durant le fonctionnement régulier, la logique de commande tient constamment les processus de l'automatisme sous contrôle et est en mesure de signaler les éventuelles anomalies à travers des séquences préétablies de clignotements émis par le clignotant, l'éclairage automatique et la « led BlueBUS » (les clignotements diagnostics se réfèrent toujours à la dernière action accomplie par Soon). Pour comprendre la correspondance entre le nombre de clignotements et les causes, se référer au tableau suivant:

Tableau 7: clignotements de diagnostic

n° clig.	Cause
1	Erreur synchronisation BlueBUS
2	Intervention de Photo ou erreur du Phototest
3	Force de l'opérateur insuffisante ou obstacle détecté durant la course
4	Intervention des dispositifs d'arrêt
5	Erreur sur les paramètres de la mémoire
6	Intervention limiteur de manœuvres interne
7	Manque de courant dans les circuits moteur
8	Surintensité dans les circuits moteur

17) Que faire si... (Guide à la résolution des problèmes)

Nous fournissons ici un petit guide pour résoudre les problèmes qui peuvent se présenter durant l'installation et la programmation de l'automatisme.

• ...aucune manœuvre n'est commandée et la led "BLUE-BUS" ne clignote pas

- Vérifier que Soon est alimenté à la tension de secteur à 230 V. Vérifier si les fusibles F1 et F2 (Fig. 15) sont grillés; si c'est le cas, identifier la cause de l'avarie et remplacer les fusibles par d'autres ayant les mêmes valeurs de courant et caractéristiques.

• ...aucune manœuvre n'est commandée et le clignotant est éteint.

- Vérifier que la commande est effectivement reçue. Si la commande arrive à l'entrée PP la led « PP » correspondante doit s'allumer; si par contre on utilise l'émetteur radio, la led « Bluebus » doit faire deux clignotements rapides.

• ...aucune manœuvre n'est commandée et le clignotant fait quelques clignotements

Compter le nombre de clignotements et vérifier suivant les indications du Tab. 7.

• ...il y a une brève inversion durant la manœuvre

- La force sélectionnée pourrait être trop basse pour manœuvrer la porte. Vérifier s'il y a des obstacles et sélectionner éventuellement une force supérieure.

- Vérifier si un dispositif de sécurité connecté à l'entrée Stop est intervenu.

• ...la manœuvre est effectuée mais le dispositif connecté à la sortie FLASH ne fonctionne pas

- Vérifier que le dispositif connecté à la sortie FLASH correspond effectivement à celui programmé.

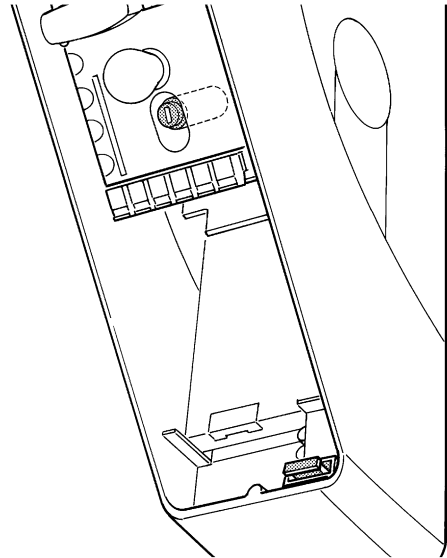
- Vérifier que quand le dispositif devrait être alimenté la tension arrive sur la borne du dispositif; si la tension arrive, le problème est dû au dispositif qui devra être remplacé par un ayant les mêmes caractéristiques. S'il n'y a pas de tension cela signifie qu'il y a une surcharge électrique sur la sortie. Vérifier qu'il n'y a pas de court-circuit sur le câble.

• ...durant la phase de mémorisation des positions, la led L1 ou la led L8 clignotent rapidement

- Cela veut dire que la position de surcourse supérieure (clignotement rapide de L1) ou inférieure (clignotement rapide de L8) a été atteinte.

- Si la led L1 clignote, effectuer une manœuvre de fermeture jusqu'à ce que L1 arrête de clignoter rapidement. Démontez ensuite Soon de l'arbre porte-ressorts, ouvrez la porte dans la position maximum et réinstallez Soon depuis cette position.

- Si la led L8 clignote, effectuer une manœuvre d'ouverture jusqu'à ce que L8 arrête de clignoter rapidement. Démontez ensuite Soon de l'arbre porte-ressorts, fermez la porte dans la position maximum et réinstallez Soon depuis cette position.



15

18) Mise au rebut

Comme pour l'installation, à la fin de la durée de vie de ce produit, les opérations de démantèlement doivent être effectuées par du personnel technique qualifié.

Ce produit est constitué de différents types de matériaux: certains peuvent être recyclés, d'autres doivent être mis au rebut. Informez-vous sur les systèmes de recyclage ou de mise au rebut prévus par les normes en vigueur dans votre région pour cette catégorie de produit.

⚠ Certains composants du produit peuvent contenir des substances polluantes ou dangereuses qui pourraient avoir des effets nuisibles sur l'environnement et sur la santé des personnes s'ils n'étaient pas adéquatement éliminés.

Comme l'indique le symbole de la Fig. 16, il est interdit de jeter ce produit avec les ordures ménagères. Procéder à la « collecte différenciée » des composants pour leur traitement conformément aux méthodes prescrites par les normes locales en vigueur ou restituer le produit au vendeur lors de l'achat d'un nouveau produit équivalent.

⚠ Les règlements locaux peuvent appliquer de lourdes sanctions en cas d'élimination prohibée de ce produit.



16

Soon

Inhaltsverzeichnis

S.

Anweisungen für die Installation und Inbetriebnahme der Automatisierung

51

1	Sicher arbeiten	51
1.1	Vorsichtsmassnahmen und Sicherheitshinweise	51
2	Die merkmale des produkts kennen	51
2.1	Produktbeschreibung, Einsatz und technische Merkmale	51
3	Die durchführbarkeit der installation bewerten	52
3.1	Die Bestandteile des Produktes überprüfen	52
3.2	Die Eignung der Umgebung überprüfen	52
3.3	Die Einsatzgrenzen des Produktes überprüfen	52
4	Die verschiedenen bestandteile installieren	52
4.1	Typisches Installationsschema	52
4.2	Die mechanischen Bestandteile installieren	53
4.3	Die elektrischen Kabel verlegen	54
4.4	Ver- und Entriegelung von Hand	54
5	Die elektrischen anschlüsse ausführen	54
5.1	Alle Vorrichtungen anschließen	54
5.2	Die BlueBUS-Vorrichtungen anschließen	56
5.2.1	Photozellen	56
5.2.2	Lichtsensoren FT210B	56
5.3	Vorrichtungen am Eingang STOP anschließen	56
5.4	Die Stromversorgung anschließen	57
6	Erstes einschalten der anlage - überprüfungen	57
6.1	Betriebstest	57
7	Vorrichtungen und positionen speichern	57
7.1	Vorrichtungen speichern	57
7.2	Positionen speichern	58
8	Die endabnahme der anlage ausführen	59
8.1	Test für die Endabnahme	59
8.2	Inbetriebsetzung	59

EINLEITUNG

Das vorliegende Handbuch erklärt, wie man den Sektionaltorantrieb Soon installiert, programmiert und bedient. Die verschiedenen Themen sind in drei Teile getrennt:

ERSTER TEIL: eine Schrittanleitung, die die notwendigen Schritte zur "physischen" Installation des Produktes und für seine Inbetriebnahme schildert.

ZWEITER TEIL: er beschreibt, wie Soon durch die Programmierung einiger Sonderfunktionen und die Wahl von Optionen und besonderer Einstellungen personalisiert werden kann. Ein Abschnitt des Handbuchs ist auch der Wartung und Entsorgung des Produktes gewidmet.

9	Anweisungen für die Personalisierung der Automatisierung	60
9.1	Programmierungstasten	60
10	Programmierungen	60
10.1	Funktionen des ersten niveaus	60
10.2	Programmierungen des ersten niveaus	61
10.3	Funktionen des zweiten niveaus (einstellbaren Parameter)	61
10.4	Programmierungen zweiten niveaus	62
11	Wartungsanzeige	62
11.1	Überprüfung der anzahl an ausgeführten bewegungen	63
11.2	Nullstellung des bewegungszählers	63
12	Liste der alarmhistorik	63
13	Verbindung sonstiger vorrichtungen	63
14	Weitere Auskünfte: Sonderfunktionen	64
14.1	Funktion "Öffnet Immer"	64
14.2	Funktion "Todmann"	64
15	Funktionsweise der automatisierung über sender und funkempfänger "SM"	64
16	Kontrolle und automatische diagnose von betriebsstörungen	64
17	Was tun, wenn... (Leitfaden zum Lösen von Problemen)	65
18	Entsorgung	65

⚠ Der **erste** und der **zweite Teil** des Handbuchs sind ausschließlich für das Technische Fachpersonal bestimmt, das die Automatisierung installieren wird. Keine dieser Informationen ist als für den Endbenutzer des Produktes nützlich oder interessant zu betrachten.

Anweisungen für die Installation und Inbetriebnahme

Im ERSTEN TEIL sind alle Installationsphasen des Produktes (mechanische Montage, elektrische Anschlüsse, Abnahme) und seine erste Inbetriebnahme (Einstellungen) Schritt für Schritt beschrieben.

Diesen Phasen gehen sehr wichtige Hinweise voraus, die Sicherheit, die Merkmale des Produktes und die Durchführbarkeit der Anlage betreffen.

1) Sicher arbeiten

1.1) Vorsichtsmaßnahmen und sicherheitshinweise

⚠ Installation, Programmierung und Inbetriebnahme des Produktes müssen von technisch qualifiziertem Personal unter genauester Beachtung sowohl der diesbezüglich gültigen Gesetze und Vorschriften als auch der Anweisungen im vorliegenden Handbuch ausgeführt werden.

Das vorliegende Handbuch ist so aufgebaut, dass es bei der Installation, Programmierung und Inbetriebnahme des Antriebs Soon Schritt für Schritt anleitet. Alle auszuführenden Arbeiten sind zusammen mit den notwendigen Anweisungen in der genauen Reihenfolge angegeben, in der die Arbeitsphasen auszuführen sind.

Daher ist es wichtig, alle Abschnitte des Handbuchs vor Installationsbeginn zu lesen. Insbesondere sind die Abschnitte sehr aufmerksam zu lesen, die wichtige SICHERHEITSHINWEISE enthalten, wie der vorliegende Abschnitt 1, der Abschnitt 3 - ÜBERPÜFUNGEN VOR DER INSTALLATION UND EINSATZGRENZEN DES PRODUKTES sowie der Abschnitt 8 - ABNAHME UND INBETRIEBSETZUNG DES SYSTEMS. Unter Berücksichtigung der Gefahren, die bei der Installation und dem täglichen Gebrauch des Produktes auftreten können, muss die Installation unter voller Einhaltung der Europa-richtlinie Nr. 98/37/CE (Maschinenrichtlinie für die Realisierung eines automatischen Tors) und insbesondere der Normen EN 12445, EN 12453 und EN 12635 erfolgen. Die Beachtung dieser Richtlinie wird es Ihnen ermöglichen, mit größter Sicherheit vorzugehen und am Ende der Arbeit die Erklärung der vermutlichen Konformität auszustellen und daher die Sicherheit der Anlage zu bestätigen.

ANMERKUNG: Weitere Auskünfte und Richtlinien zur Analyse der Risiken, nützlich für die Realisierung von Ihnen ausgestellten der Technischen Unterlagen stehen im Web unter www.niceforyou.com zur Verfügung.

- Der Gebrauch von Soon zu einem anderen Einsatz als im vorliegenden Handbuch vorgesehen ist untersagt. Ein unsachgemäßer Gebrauch kann Produktschäden und Personen und Gegenstände gefährden.
- Es ist verboten, Änderungen an Bestandteilen des Produktes auszuführen, falls nicht ausdrücklich im vorliegenden Handbuch angegeben. Nicht genehmigte Vorgänge können nur Betriebsstörungen verursachen; Nice® lehnt jegliche Haftung für Schäden aufgrund willkürlich geänderter Produkte ab.
- Vor der Installation ist die Risikoanalyse auszuführen, welche die Liste der wesentlichen Sicherheitsanforderungen, vorgesehen in Anlage I der Maschinenrichtlinie einschließen und die jeweiligen, angewendeten Lösungen angeben muss. Es wird daran erinnert, dass die "Risikoanalyse" eine der Unterlagen ist, die Bestandteil der "Technischen Dokumentation" der Automatisierung sind.

- Vor Beginn der Installation sollte geprüft werden, ob weitere Vorrichtungen und Materialien erforderlich sind, um die Automatisierung mit Soon zu vervollständigen; berücksichtigt werden müssen zum Beispiel Aufprallgefahr, Quetsch- und Mitnehmgefahr usw. und sonstige Gefahren allgemein.
- Die Steuerung von Soon an eine elektrische Versorgungsleitung mit Sicherheitserdung anschließen.
- Während der Installation vermeiden, dass Teile des Automatismus in Wasser oder andere Flüssigkeiten getaucht werden oder dass solche Stoffe bzw. Festkörper in die Steuerung und sonstige geöffnete Vorrichtungen eindringen können. Trennen Sie die Stromversorgung in einem solchen Fall unverzüglich ab und wenden Sie sich an den Nice® Kundendienst.

⚠ Der Gebrauch von Soon in solchen Situationen kann Gefahren verursachen!

- Die verschiedenen Bestandteile von Soon nicht in der Nähe von Wärmequellen halten und keinesfalls Flammen aussetzen. Solche Handlungen können die Bestandteile des Systems schädigen und Betriebsstörungen, Brand und Gefahren verursachen.
- Während der Installation müssen alle Arbeiten, bei denen der Zugang zu Innenteilen unter dem Deckel von Soon (z.B. Klemmen) notwendig ist, ohne Spannungsversorgung ausgeführt werden. Wenn der Anschluss bereits ausgeführt wurde und die Abschaltvorrichtung nicht in Ihrer Sichtweite ist, muss in ihrer Nähe ein Schild mit der Schrift: "ACHTUNG! WARTUNG IM GANG" angebracht werden.
- Sollten während der Installation elektrische Schutzsysteme wie Automatikschalter oder Sicherungen auslösen, muss vor ihrer Rückstellung die Ursache des Defekts gefunden und beseitigt werden.
- Am Ende der Installation darf der Automatismus erst benutzt werden, nachdem die "Inbetriebsetzung" durchgeführt ist, wie in Abschnitt 8 - ABNAHME UND INBETRIEBSETZUNG DES SYSTEMS angegeben.
- Wenn Soon längere Zeit nicht benutzt wird, sollte die Batterie (Optional) herausgenommen und an einem trockenen Ort aufbewahrt werden. Durch diese Maßnahme kann man Alterung und ein eventuelles Auslaufen von Schadstoffen aus der Batterie vermeiden.
- Wenn ein Defekt mit den im vorliegenden Handbuch gegebenen Infos nicht beseitigt werden kann, wenden Sie sich bitte an den Nice® Kundendienst.
- Das Verpackungsmaterial des Produktes Soon muss unter voller Einhaltung der örtlichen Vorschriften entsorgt werden.
- Wir empfehlen Ihnen, das vorliegende Handbuch sorgfältig aufzubewahren, um eventuelle zukünftige Wartungsarbeiten und Eingriffe am Produkt zu erleichtern.

2) Die Merkmale des Produkts kennen

2.1) Produktbeschreibung, einsatz und technische merkmale

SOON ist ein elektromechanischer Antrieb für die Automatisierung von Sektionaltoren bis 20m². Dank der Kabelausgangswelle ist an den meisten handelsüblichen Sektionaltoren eine leichte Verbindung mit der Federtragwelle möglich.

Die Steuerung SOA2 speist den Antrieb mit Gleichstrom und ermöglicht eine optimale Regelung seines Drehmoments und der Geschwin-

digkeit, eine präzise Messung der Maße, eine Softöffnung und -schließung und die Wahrnehmung von Hindernissen. Weiterhin ist sie mit einem Wartungsleuchtmelder ausgestattet, die die vom Antrieb in seinem Leben ausgeführten Bewegungen registriert. Die vom Boden aus aktivierbare Entriegelung löst den Motor vom Körper des Antriebs.

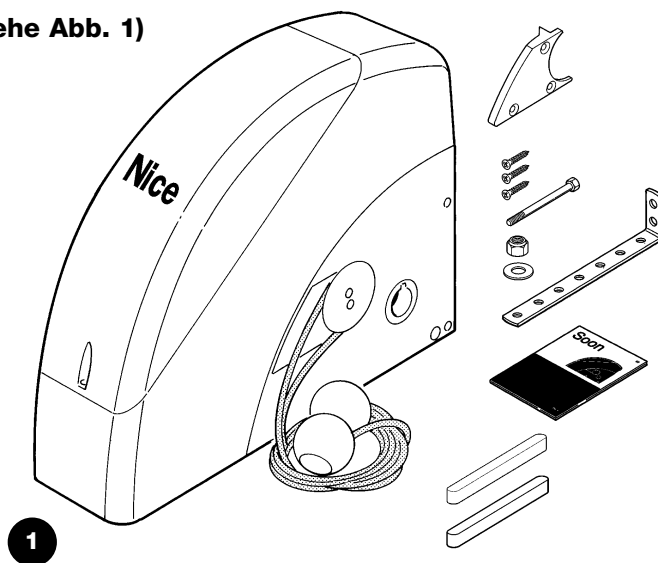
3) Die Durchführbarkeit der Installation bewerten

Vor Installationsbeginn muss geprüft werden, ob Bestandteile des Produktes beschädigt sind und ob das gewählte Modell und die Umgebung für die jeweilige Installation geeignet sind.

3.1) Die Bestandteile des Produktes überprüfen (siehe Abb. 1)

Die Verpackung auf Schäden überprüfen;
das Produkt auspacken und prüfen, ob folgendes vorhanden ist:

- 1 Antrieb Soon
- 1 Befestigungsbügel
- 4 Entriegelungshalbbringe
- 2 Keile
- 1 Schraube M8x130
- 1 selbstsperrende Mutter M8
- 1 Unterlegscheibe D8
- 1 Vorgelege
- 3 selbstschneidende schwarze Schrauben
- 1 Bedienungsanleitung



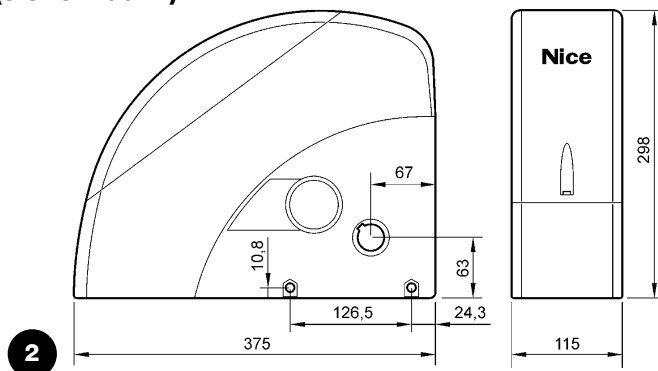
3.2) Die Eignung der Umgebung überprüfen

- Prüfen, dass die zur Installation gewählte Umgebung mit dem Gesamtplatzbedarf Ihres Modells Soon kompatibel ist (Abb. 2).
- Prüfen, dass sich in dieser Umgebung keine Hindernisse entlang der Laufstrecke des Sektionaltors befinden, die seine Bewegung insgesamt in Öffnung und Schließung einschränken können.
- Prüfen, dass die zur Installation gewählte Umgebung eine leichte und sichere Durchführung der Bewegungen von Hand ermöglicht.
- Prüfen, dass jede Vorrichtung, die befestigt werden muss, auf einer festen und vor zufälligen Stößen geschützten Fläche angebracht ist.

3.3) Die Einsatzgrenzen des Produktes überprüfen (siehe Abb. 2)

Die Einsatzgrenzen Ihres Modells Soon und der Zubehörteile überprüfen, die man installieren wird; bewerten, ob ihre Merkmale für die Umgebung geeignet sind und ob sie folgenden Einschränkungen entsprechen:

- Das Sektionaltor muss kleiner als 20m² sein;
- Die Bewegungswelle des Sektionaltors muss mit der Ausgangswelle von Soon mit Hilfe der in der Verpackung gelieferten Keile kompatibel sein;
- Der Bügel für die Befestigung an der Mauer muss ausreichend lang sein.



4) Die Verschiedenen Bestandteile Installieren

⚠ Die Installation der Automatisierung muss von qualifiziertem Personal unter genauester Beachtung der vorliegenden Anweisungen sowie der gültigen Gesetze und Vorschriften ausgeführt werden.

4.1) Typisches Installationsschema (siehe Abb. 3)

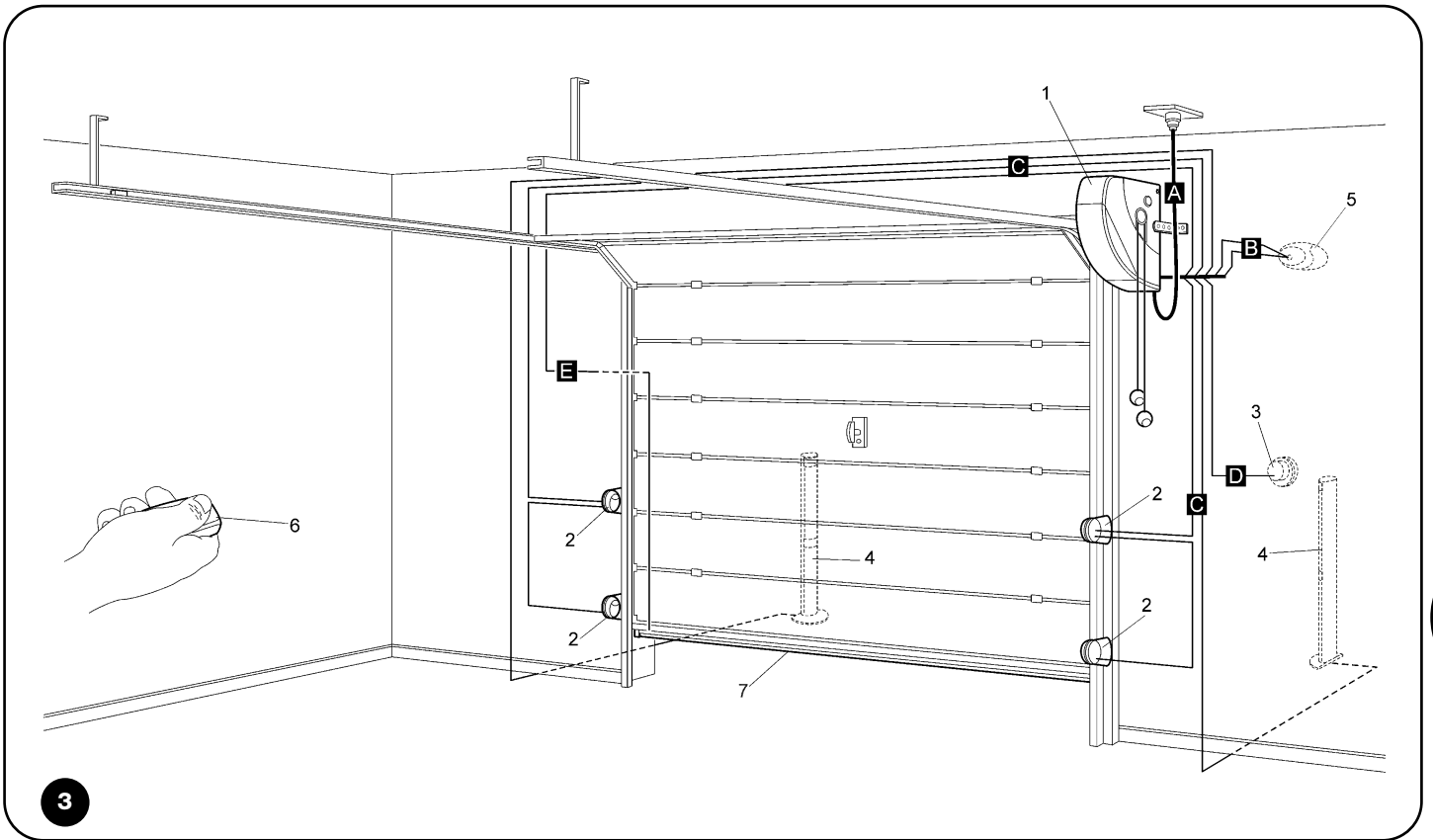
Die Abb. 3 zeigt die komplette Installation eines Antriebs Soon. Auf der Zeichnung sind die verschiedenen Bestandteile und die für ihren Anschluss notwendigen Kabel angegeben, das Ganze ist nach einem typischen und üblichen Schema zusammgebaut und angeordnet.

Legende der mechanischen Bestandteile in Abb. 3:

- 1** - Antrieb Soon
- 2** - Photozelle
- 3** - Schlüsseltaster
- 4** - Standsäule für Photozelle
- 5** - Blinkleuchte
- 6** - Sender
- 7** - Hauptschaltleiste

Legende der Elektrokabel in Abb. 3:

- A** - Elektrische Versorgungsleitung
- B** - Blinkleuchte mit Antenne
- C** - Photozellen
- D** - Schlüsseltaste
- E** - Hauptschaltleiste



3

D

4.2) Die mechanischen bestandteile installieren

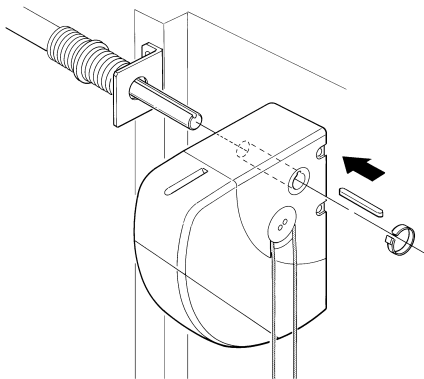
Nachdem die Vorbereitungsarbeiten zur Installation (wie z.B. Ausgraben der Kanäle zum Verlegen der Elektrokabel oder Verlegen externer Kanäle; eventuelle Befestigung der genannten Kanäle im Beton und andere notwendige Vorbereitungen) beendet sind, können die Montage und die vollständige Installation aller mechanischen und elektrischen Teile des Soon ausgeführt werden. In der hier angegebenen Reihenfolge weiterarbeiten.

Montage des Antriebs Soon (siehe Abb. 4)

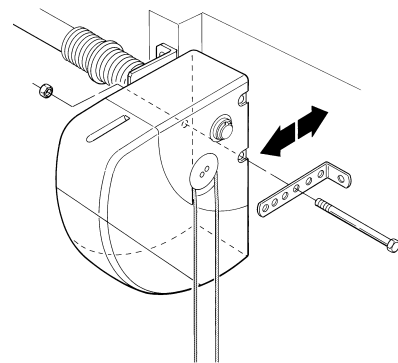
1. (Abb. 4-a) Die Ausgangswelle des Soon in die Antriebswelle des Sektionaltors stecken und mit Hilfe eines mitgelieferten Keils verbinden.

Diesen Vorgang bei GESCHLOSSEM Tor ausführen

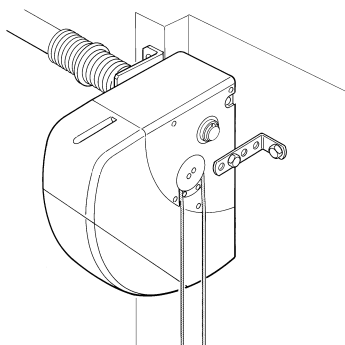
2. (Abb. 4-b) Am Soon, den Bügel mit Schraube, Mutter und Unterlegscheibe (mitgeliefert) befestigen.
3. (Abb. 4-c) Den Bügel mit einem für das Mauermaterial geeigneten Dübel (nicht mitgeliefert) an der Wand befestigen.
4. (Abb. 4-d) Soon kann mit Hilfe des speziellen Vorgeleges (mitgeliefert) in horizontaler Stellung befestigt werden. Das Vorgelege muss mit drei Schrauben (mitgeliefert) in der dargestellten Position befestigt werden. Achtung: den Austritt der Entriegelungsseile beachten.



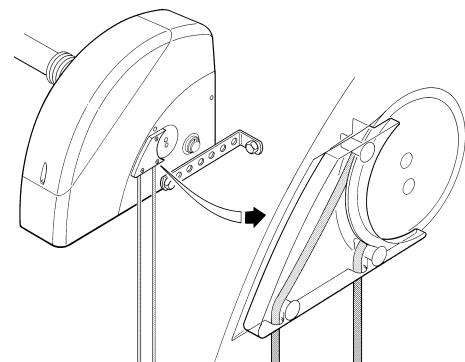
4a



4b



4c



4d

4.3) Die elektrischen Kabel verlegen (siehe Abb. 3 und Tab. 1)

Nach der Installation der verschiedenen mechanischen Bestandteile, alle notwendigen Elektrokabel verlegen - siehe Abb. 3 mit der typischen Anordnung dieser Kabel, und die Tabelle 1, die ihre technischen Merkmale vereinzelt analysiert.

⚠ Die für den Anschluss der verschiedenen Vorrichtungen benutzten Kabel müssen für den auszuführenden Installationstyp geeignet sein: wenn die Installation in einem überdachten Raum oder in einem Gebäude erfolgt, wird ein Kabel des Typs H03VV-F empfohlen.

MERKMALE DER ELEKTRISCHEN KABEL

(Die mit den Kabeln kombinierten Buchstaben sind dieselben wie in Abb. 3)

Tabelle 1: Kabelliste

Anschluss	Kabeltyp	Zulässige Höchstlänge
A: Elektrische Versorgungsleitung	Nr. 1 Kabel (3 x 1,5 mm ²)	30 m (*)
B: Blinkleuchte	Nr. 1 Kabel (2 x 1 mm ²)	20 m
C: Antenne	Nr. 1 abgeschirmtes Kabel (Typ RG58)	20 m (empfohlen: kürzer als 5m)
D: Photozelle	Nr. 1 Kabel (2 x 0,5 mm ²)	30 m
E: Schlüsseltaster	Nr. 1 Kabel (4 x 0,5 mm ²)	50 m
F: Bewegliche Schaltleisten	Nr. 1 Kabel (2 x 0,5 mm ²)	20 m

Anmerkungen: (*) Falls das Versorgungskabel länger als 30 m ist, muss ein Kabel mit größerem Durchmesser benutzt werden (z.B.: und eine Sicherheitserdung in der Nähe der Automatisierung ist erforderlich).

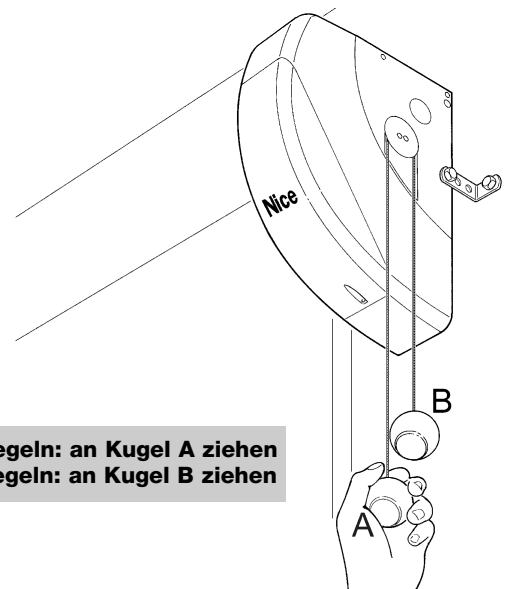
4.4) Ver- und entriegelung von hand

⚠ Jedes Mal auf dieses Verfahren Bezug nehmen, wenn im Text des Handbuchs gefordert wird, den Mechanismus von SOON von Hand zu "verriegeln" oder zu "entriegeln".

Anmerkungen:

Ent- und Verriegelungsverfahren dürfen nur mit ganz stehendem Antrieb ausgeführt werden.

- Das manuelle Verfahren muss bei einem Stromausfall, bei Störungen der Anlage oder wann ausdrücklich im Text des Handbuchs verlangt ausgeführt werden.
- Die manuelle Entriegelung ermöglicht den freien Lauf des Sektionaltors.



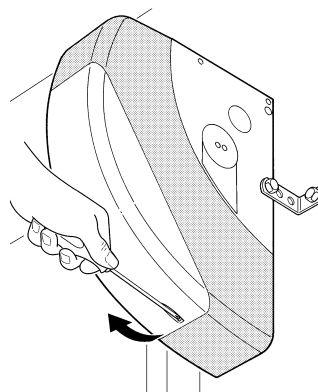
5) Die elektrischen Anschlüsse ausführen

⚠ Um die Sicherheit des Installateurs zu gewährleisten und Schäden an den Bestandteilen der Automatisierung zu vermeiden, ist vor der Durchführung der elektrischen Anschlüsse oder dem Einstecken des Funkempfängers sicher zu stellen, dass die Steuerung vom Stromnetz und von eventuellen Pufferbatterien ABGETRENNT ist.

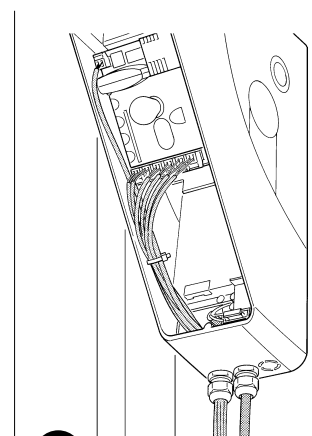
5.1) Alle vorrichtungen anschließen

Alle elektrischen Anschlüsse müssen ohne Spannung zur Anlage ausgeführt werden.

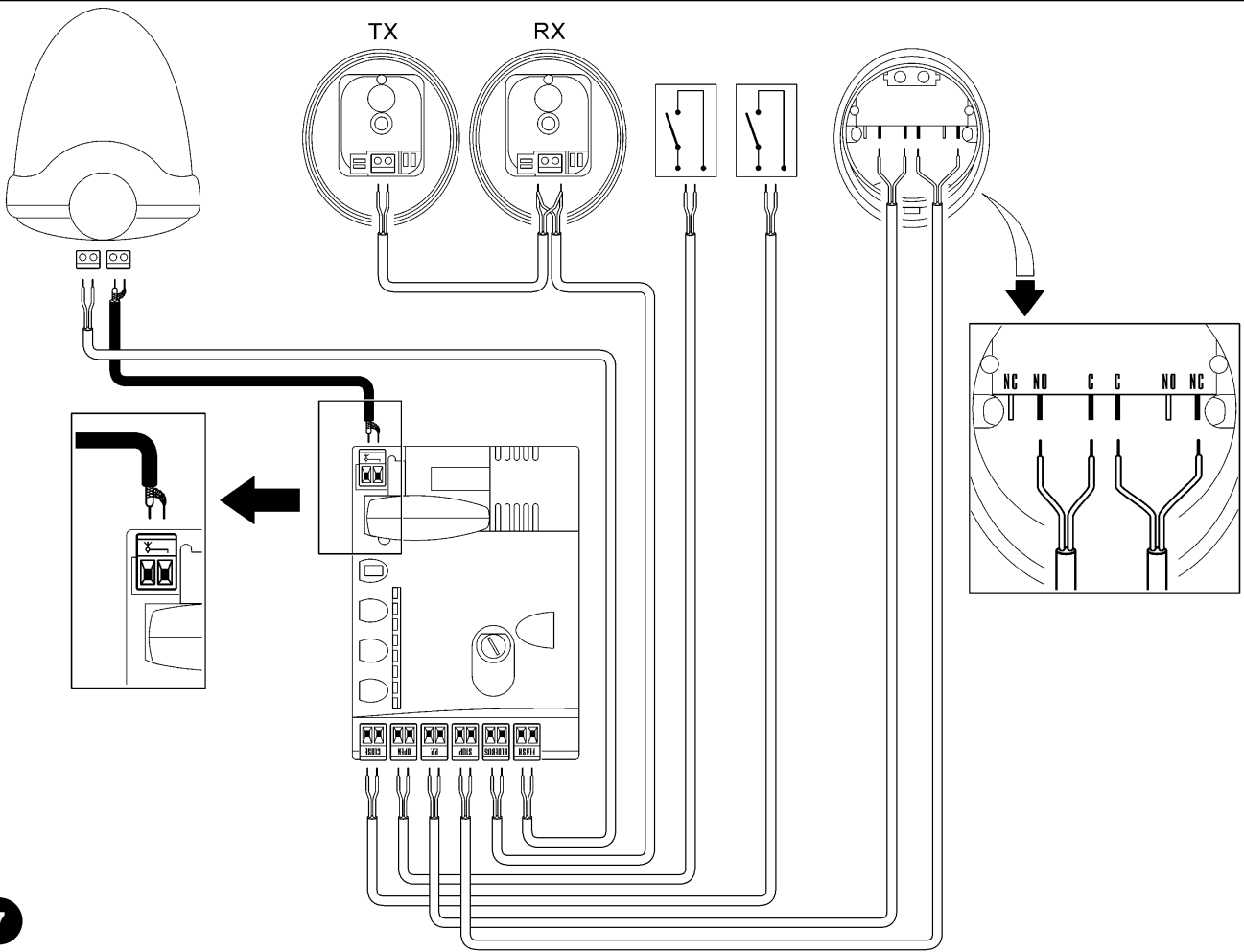
1. Um den Schutzdeckel zu entfernen und Zugang zur elektronischen Steuerung von SOON zu erhalten, muss die Schraube entfernt und der Deckel nach oben herausgezogen werden (Abb. 5).
2. Den freien Kabelhalter lösen und die Kabel für den Anschluss an den Klemmen der Steuerung durchführen. Die Kabel 20-30 cm länger als notwendig lassen. Siehe die Tabelle Nr. 1 für den Kabeltyp und die Abbildung 6 für die Anschlüsse.
3. Den Anschluss der Kabel nach dem Schema in Abb. 7 ausführen. Um die Anschlüsse zu erleichtern, sind die Klemmen abziehbar.
4. Die Kabel nach Beendigung der Anschlüsse durch Festziehen des Kabelhalters blockieren. Der überschüssige Teil des Antennenkabels muss mit einer anderen Schelle an den anderen Kabeln blockiert werden.



5



6



7

FLASH	Dieser Ausgang kann programmiert werden (siehe den ZWEITEN TEIL des Handbuchs), um eine der folgenden Vorrichtungen daran anzuschließen:
	Blinkleuchte Falls als "Blinkleuchte" programmiert, kann am Ausgang "FLASH" eine NICE Blinkleuchte "LUCY B" mit 12V 21W Lampe automatischen Typs angeschlossen werden. Während der Bewegung blinkt sie in Abständen von 0,5 Sekunden (0,5 Sek. ein, 0,5 Sek. aus).
	Ausgang "Kontrollampe Tor geöffnet" Falls als "Kontrollampe Tor geöffnet" programmiert, kann am Ausgang "FLASH" eine 24V max. 5W Kontrolllampe für die Anzeige Tor geöffnet angeschlossen werden. Kann auch für andere Funktionen programmiert werden - siehe den ZWEITEN TEIL des Handbuchs.
	Saugscheibe* Falls als "Saugscheibe" programmiert, kann am Ausgang "FLASH" eine 24V max. 10W Saugscheibe angeschlossen werden (Ausführungen nur mit Elektromagnet, ohne elektronische Vorrichtungen). Wenn das Tor geschlossen ist, aktiviert sich die Saugscheibe und blockiert das Tor. Während der Öffnungs- oder Schließbewegung wird sie deaktiviert.
	Elektrosperre* Falls als "Elektrosperre" programmiert, kann am Ausgang "FLASH" eine Elektrosperre mit 24V max. 10W Schnappschloss angeschlossen werden (Ausführungen nur mit Elektromagnet, ohne elektronische Vorrichtungen). Während der Öffnungsbewegung aktiviert sich die Elektrosperre und bleibt aktiv, um das Tor frei zu machen, so dass die Bewegung erfolgen kann. Bei der Schließbewegung ist sicher zu stellen, dass sich die Elektrosperre wieder mechanisch einspannt.
	Elektroschloss* Falls als "Elektroschloss" programmiert, kann am Ausgang "FLASH" ein Elektroschloss mit 24V max. 10W Schnappschloss e angeschlossen werden (Ausführungen nur mit Elektromagnet, ohne elektronische Vorrichtungen). Während der Öffnungsbewegung aktiviert sich das Elektroschloss kurz, um das Tor frei zu machen, so dass die Bewegung erfolgen kann. Bei der Schließbewegung ist sicher zu stellen, dass sich das Elektroschloss wieder mechanisch einspannt.
BLUEBUS	an dieser Klemme können kompatible Vorrichtungen angeschlossen werden; alle Vorrichtungen werden mit nur zwei Leitern, auf denen sowohl die Stromversorgung als auch die Kommunikationssignale übermittelt werden, parallel geschaltet. Weitere Auskünfte über BlueBUS sind in Par. "5.2 Die BlueBUS-Vorrichtungen anschließen" enthalten.
STOPP	Eingang für Vorrichtungen, welche die laufende Bewegung blockieren oder ggf. anhalten; mit entsprechenden Maßnahmen am Eingang können "gewöhnlich geschlossene" und "gewöhnlich geöffnete" Kontakte oder Vorrichtungen mit konstantem Widerstand bzw. optische Vorrichtungen angeschlossen werden. Weitere Auskünfte über STOPP sind in Par. "5.3 - Vorrichtungen am Eingang Stopp anschließen" enthalten.
PP	Eingang für Vorrichtungen, welche die Bewegung in Modalität Schrittbetrieb steuern; es können "gewöhnlich geöffnete" Kontakte angeschlossen werden.
OPEN	Eingang für Vorrichtungen, die nur eine Öffnungsbewegung steuern; es können "gewöhnlich geöffnete" Kontakte angeschlossen werden.
CLOSE	Eingang für Vorrichtungen, die nur eine Schließbewegung steuern; es können "gewöhnlich geöffnete" Kontakte angeschlossen werden.
ANTENNE	Eingang für den Anschluss der Antenne für Funkempfänger (die Antenne ist in LUCY B eingebaut).

* Es können nur Vorrichtungen angeschlossen werden, die nur den Elektromagneten enthalten.

⚠ Keine anderen vorrichtungen als vorgesehen verwenden

D

5.2) Die bluebus-vorrichtungen anschließen

BlueBUS ist eine Technik, mit der kompatible Vorrichtungen mit nur zwei Leitern, auf denen sowohl die Stromversorgung als auch die Kommunikationssignale übermittelt werden, angeschlossen werden können. Alle Vorrichtungen werden an den 2 BlueBUS Leitern parallel geschaltet; eine Polung ist nicht zu beachten. Jede Vorrichtung wird einzeln erkannt, da ihr während der Installation eine eindeutige Adresse zugeteilt wird. An BlueBUS kann man zum Beispiel Photozellen, Sicherheitsvorrichtungen, Steuertasten, Leuchtmelder usw. anschließen. Die Steuerung von SOON erkennt nacheinander alle

angeschlossenen Vorrichtungen durch eine geeignete Erlernung und ist imstande, alle möglichen Störungen mit höchster Sicherheit wahrzunehmen. Deshalb muss an der Steuerung jedes Mal, wenn eine an BlueBUS angeschlossene Vorrichtung hinzugefügt oder entfernt wird, die Erlernphase ausgeführt werden, wie in Par. "7.1 Vorrichtungen speichern" beschrieben.

5.2.1) Photozellen

Das System "BlueBUS" ermöglicht durch die Adressierung mit speziellen Überbrückungen die Erkennung der Photozellen seitens der Steuerung und die Zuteilung der korrekten Wahrnehmungsfunktion. Die Adressierung muss sowohl an TX als auch an RX ausgeführt werden (wobei die Überbrückungen auf dieselbe Art anzuordnen sind). Überprüft werden muss, dass andere Photozellenpaare nicht dieselbe Adresse haben.

An einem Sektionaltorautomatismus mit SOON können die Photozellen wie auf Abbildung 8 gezeigt installiert werden. 8. Nach der Installation oder Entfernung von Photozellen muss an der Steuerung die Erlernphase ausgeführt werden, wie in Par. "7.1 - Vorrichtungen speichern" beschrieben.

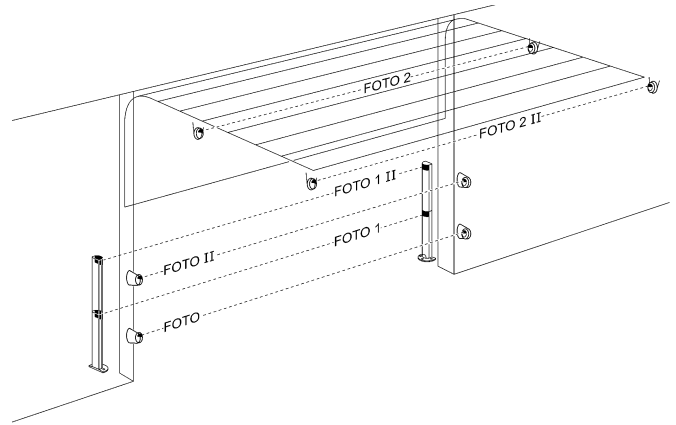


Tabelle 2: Adressierungen der Photozellen

Photozelle	Überbrückungen	Photozelle	Überbrückungen
FOTO Photozelle H = 50 mit Auslösung in Schließung;		FOTO 2 Photozelle mit Auslösung in Öffnung	
FOTO II Photozelle H = 100 mit Auslösung in Schließung;		FOTO 2 II Photozelle mit Auslösung in Öffnung	
FOTO 1 Photozelle H = 50 mit Auslösung sowohl in Schließung als auch in Öffnung;		FOTO 3 UNZULÄSSIGE KONFIGURATION	
FOTO 1 II Photozelle H = 50 mit Auslösung sowohl in Schließung als auch in Öffnung;			

5.2.2) Lichtsensor FT210B

Der Lichtsensor FT210B vereint in einer einzigen Vorrichtung das Kraftbegrenzungssystem (Typ C gemäß EN12453) und einen Präsenzdetektor, der Hindernisse auf der optischen Achse zwischen Sender TX und Empfänger RX wahrnimmt (Typ D gemäß EN12453). Die Statussignale der Schalleiste werden über den Strahl der Photozelle in den Lichtsensor FT210B gesendet, wodurch 2 Systeme in einer einzigen Vorrichtung integriert sind. Der übertragende Teil am beweglichen Torflügel ist durch Batterien gespeist, was unschöne Anschlüsse verhindert; spezielle Kreisläufe verringern den Verbrauch der Batterie, deren Dauer bis zu 15 Jahre lang garantiert wird (siehe Details dieser Schätzung in den Anweisungen des Produkts).

Mit nur einer Vorrichtung FT210B, kombiniert mit einer Schalleiste

(z.B. TCB65) kann das Sicherheitsniveau der "Hauptschalleiste" erreicht werden, das von Norm EN12453 für jede Art von "Benutzung" und "Aktivierung" verlangt ist. Der Lichtsensor FT210B in Kombination mit resistiven Schalleisten (8,2Kohm) ist vor einzelnen Defekten geschützt (Klasse 3 gemäß EN 954-1). Er verfügt über einen speziellen Antikollisionskreislauf, der Interferenzen mit anderen, auch nicht synchronisierten Detektoren verhindert und die Hinzufügung weiterer Photozellen ermöglicht, wie zum Beispiel für die Durchfahrt von schweren Fahrzeugen, wo gewöhnlich eine zweite Photozelle in 1 m Höhe ab Boden angebracht wird. Für weitere Auskünfte über Anschluss und Adressierung wird auf die Anleitung von FT210B verwiesen.

5.3) Vorrichtungen am eingang stopp anschließen

STOPP ist der Eingang, der das unverzügliche Anhalten der Bewegung verursacht, gefolgt von einer kurzen Umkehrung. An diesen Eingang können Vorrichtungen mit Ausgang mit gewöhnlich geöffnetem "NO"-Kontakt, mit gewöhnlich geschlossenem "NC"-Kontakt oder Vorrichtungen mit Ausgang mit konstantem 8,2KΩ Widerstand, wie zum Beispiel Schalleisten, oder optische Vorrichtungen angeschlossen werden.

Wie für BlueBUS, erkennt die Steuerung die am Eingang STOPP

angeschlossene Vorrichtung während der Erlernung - siehe Paragraph "7.1 Vorrichtungen speichern"; danach wird ein STOPP verursacht, wenn eine beliebige Variation des erlernten Status erfolgt.

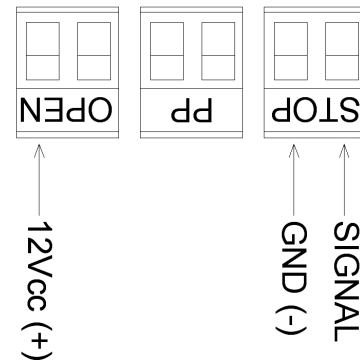
Mit entsprechenden Maßnahmen kann am Eingang STOPP mehr als eine Vorrichtung auch anderen Typs angeschlossen werden.

- Mehrere NO-Vorrichtungen können miteinander in unbegrenzter Menge parallelgeschaltet werden.

- Mehrere NC-Vorrichtungen können miteinander in unbegrenzter Menge seriengeschaltet werden.
- Zwei Vorrichtungen mit konstantem 8,2KΩ Widerstand können parallelgeschaltet werden, im Falle von mehr als 2 Vorrichtungen müssen alle mit nur einem 8,2KΩ Endwiderstand "kaskadengeschaltet" werden.
- Die Kombination NO und NC ist möglich, wenn die 2 Kontakte parallelgeschaltet werden, wobei ein 8,2KΩ Widerstand mit dem NC-Kontakt seriengeschaltet werden muss (daher ist auch die Kombination von 3 Vorrichtungen NO, NC und 8,2KΩ möglich)

⚠ Falls der Eingang STOPP für den Anschluss von Vorrichtungen mit Sicherheitsfunktionen benutzt wird, garantieren nur die Vorrichtungen mit Ausgang mit konstantem 8,2KΩ Widerstand oder optische Vorrichtungen OPTO SENSOR die Sicherheitsklasse 3 gegen Defekte gemäß der Vorschrift EN 954-1.

Für den Anschluss einer optischen Vorrichtung des Typs OPTO SENSOR sind die Verbindungen hingegen wie in Abb. 9 gezeigt auszuführen. 9:



9

5.4) Die bluebus-vorrichtungen anschließen

Für die Versorgung von SOON mit Betriebsspannung genügt es, den Stecker von SOON in eine Steckdose zu stecken. Sollte der Stecker von SOON nicht mit der verfügbaren Steckdose übereinstimmen, kann ein handelsüblicher Adapter benutzt werden.

6) Erstes Einschalten der Anlage - Überprüfungen

⚠ Die hier folgenden Arbeiten werden an unter Spannung stehenden elektrischen Kreisläufen ausgeführt, die Vorgänge könnten daher gefährlich sein! Daher sehr vorsichtig und nie allein vorgehen.

Nachdem die Installation der Bestandteile und der elektrische Anschluss beendet sind, müssen sofort einige einfache Überprüfungen des korrekten Betriebs der Anlage ausgeführt werden, bevor weitergemacht wird. Dann die hier folgend verzeichneten Vorgänge ausführen und die Punkte nach der Überprüfung der Konformität der Ergebnisse nach und nach abhaken.

6.1) Betriebstest

Sobald SOON mit Spannung versorgt ist, sollten einige einfache Überprüfungen ausgeführt werden:

- Prüfen, ob die BlueBUS-Led regelmäßig einmal pro Sekunde blinkt.
- Falls Photozellen vorhanden sind, prüfen, dass auch die LEDs an den Photozellen (sowohl an TX als auch an RX) blinken; wie die LEDs blinken, ist unwichtig und hängt von anderem ab.
- Prüfen, dass die an Ausgang FLASH angeschlossene Vorrichtung ausgeschaltet ist.
- Prüfen, dass die zusätzliche Beleuchtung ausgeschaltet ist.

Sollte all dies nicht der Fall sein, muss die Versorgung zur Steuerung unverzüglich ausgeschaltet werden, dann die elektrischen Anschlüsse genauer kontrollieren.

7) Vorrichtungen und Positionen speichern

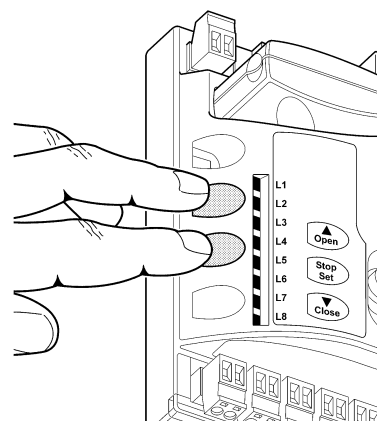
7.1) Vorrichtungen speichern

Nach dem Anschluss der Versorgung muss die Steuerung die an den Eingängen BlueBUS und STOP angeschlossenen Vorrichtungen erkennen. Vor dieser Phase blinken die LEDs L1 und L2 und geben somit an, dass die Erlernung der Vorrichtungen ausgeführt werden muss.

⚠ Die Erlernungsphase der Vorrichtungen muss auch, wenn keine Vorrichtung angeschlossen ist, ausgeführt werden.

1. Auf die Tasten **[▲]** und **[Set]** drücken und gedrückt halten
2. Die Tasten loslassen, wenn die LEDs L1 und L2 sehr schnell zu blinken beginnen (nach ca. 3 Sekunden)
3. Ein paar Sekunden warten, bis die Steuerung die Erlernung der Vorrichtungen beendet.
4. Am Ende der Erlernung muss die LED STOPP eingeschaltet bleiben; die LEDs L1 und L2 werden sich ausschalten (eventuell werden L3 und L4 zu blinken beginnen)

Die Erlernungsphase der angeschlossenen Vorrichtungen kann jederzeit auch nach der Installation wiederholt werden, wenn zum Beispiel eine Vorrichtung hinzugefügt wird.



10

7.2) Positionen speichern

Nach der Erlernung der Vorrichtungen muss die Steuerung die Öffnungs- und Schließpositionen des Tors erkennen. Man kann bis zu 6 Positionen programmieren. Sie sind:

Position	Bedeutung
A1	Maß der gewünschten, maximalen Öffnung. Das Tor hält an, wenn es diese Position erreicht.
RA1	Maß, an dem die Verlangsamung in Öffnung beginnt. Wenn das Tor diese Position erreicht, geht der Motor auf die Mindestgeschwindigkeit herunter.
RINT	Zwischenmaß für die Verlangsamung in Schließung. Wenn man diese Position programmiert, wird das Tor die Verlangsamung ca. 50 cm vorher beginnen und die Position RINT mit Mindestgeschwindigkeit durchlaufen. Nachdem es das Maß RINT durchlaufen hat, wird sich der Motor wieder auf die programmierte Geschwindigkeit bringen.
AP	Teilöffnungsmaß. Ist die Position, in der das Tor anhält, wenn ein Befehl für Teilöffnung gegeben wird.
RA0	Maß, an dem die Verlangsamung in Schließung beginnt. Wenn das Tor diese Position erreicht, geht der Motor auf die Mindestgeschwindigkeit herunter.
A0	Maß der maximalen Schließung. Das Tor hält an, wenn es diese Position erreicht.

Die LEDs L3 und L4 blinken, wenn die Maße nicht erfasst sind.

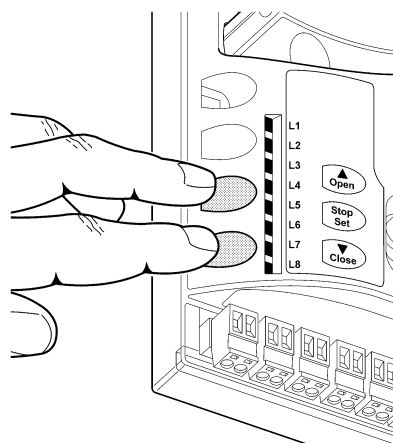
Hier folgend ist das Speicherverfahren der Positionen beschrieben. Die Maße A1 und A0 müssen programmiert sein, wogegen die anderen Positionen übersprungen werden können. Die Steuerung wird sie in diesem Fall automatisch berechnen.

1.	3 Sekunden lang auf [Set] + [▼] drücken, um in Speicherung der Maße zu gehen.
Die LED L1 blinkt: Programmierung von Maß A1	
2.	Das Tor mit den Tasten [▲] oder [▼] bis zur Position "maximale Öffnung" verschieben.
3.	Sekunden lang auf Taste [Set] drücken, um das Maß A1 zu bestätigen. Die LED L1 bleibt eingeschaltet.
Die LED L2 blinkt: Programmierung von Maß RA1	
4.	Wenn man das Verlangsamungsmaß in Öffnung nicht programmieren will, 2 Mal schnell auf Taste [Set] drücken, um auf die nächste Programmierung überzugehen; die LED L2 bleibt ausgeschaltet. Andernfalls in der angegebenen Reihenfolge weitermachen.
5.	Das Tor mit den Tasten [▲] oder [▼] bis zur Position "Verlangsamung in Öffnung" verschieben.
6.	2 Sekunden lang auf Taste [Set] drücken, um das Maß RA1 zu bestätigen. Die LED L2 bleibt eingeschaltet.
Die LED L4 blinkt: Programmierung von Maß RINT	
7.	Wenn man das Verlangsamungszwischenmaß nicht programmieren will, 2 Mal schnell auf Taste [Set] drücken, um auf die nächste Programmierung überzugehen; die LED L4 bleibt ausgeschaltet. Andernfalls in der angegebenen Reihenfolge weitermachen.
8.	Das Tor mit den Tasten [▲] oder [▼] bis zur Verlangsamung-Zwischenposition verschieben.
9.	2 Sekunden lang auf Taste [Set] drücken, um das Maß RINT zu bestätigen. Die LED L4 bleibt eingeschaltet.
Die LED L5 blinkt: Programmierung von Maß RAP	
10.	Wenn man das Teilöffnungsmaß nicht programmieren will, 2 Mal schnell auf Taste [Set] drücken, um auf die nächste Programmierung überzugehen; die LED L5 bleibt ausgeschaltet. Andernfalls in der angegebenen Reihenfolge weitermachen.
11.	Das Tor mit den Tasten [▲] oder [▼] bis zur Position "Teilöffnung" verschieben.
12.	2 Sekunden lang auf Taste [Set] drücken, um das Maß RAP zu bestätigen. Die LED L5 bleibt eingeschaltet.
Die LED L7 blinkt: Programmierung von Maß RA0	
13.	Wenn man das Verlangsamungsmaß in Schließung nicht programmieren will, 2 Mal schnell auf Taste [Set] drücken, um auf die nächste Programmierung überzugehen; die LED L7 bleibt ausgeschaltet. Andernfalls in der angegebenen Reihenfolge weitermachen.
14.	Das Tor mit den Tasten [▲] oder [▼] bis zur Position "Verlangsamung in Schließung" verschieben.
15.	2 Sekunden lang auf Taste [Set] drücken, um das Maß RA0 zu bestätigen. Die LED L7 bleibt eingeschaltet.
Die LED L8 blinkt: Programmierung von Maß A0	
16.	Das Tor mit den Tasten [▲] oder [▼] bis zur Position "maximale Schließung" verschieben.
17.	2 Sekunden lang auf Taste [Set] drücken, um das Maß A0 zu bestätigen. Die LED L8 bleibt eingeschaltet.
18.	Wenn man die Taste [Set] loslässt, schalten sich alle LEDs aus.
19.	Auf Taste [Open] drücken, um einen Öffnungsbefehl zu erteilen und eine vollständige Öffnungsbewegung auszuführen.
20.	Auf Taste [Close] drücken, um einen Schließbefehl zu erteilen und eine vollständige Schließbewegung auszuführen.

Bei diesen Bewegungen speichert die Steuerung die zu den Öffnungs- und Schließbewegungen notwendige Kraft.

Wichtig: diese ersten Bewegungen dürfen z.B. mit einem STOPP-Befehl nicht unterbrochen werden.

Die Erlernung der Positionen kann jederzeit auch nach der Installation wiederholt werden; es genügt, sie ab Punkt 1 erneut auszuführen. Wenn dagegen nur ein Maß geändert werden muss, die Sequenz ab Punkt 1 wiederholen und die Programmierung jeder betreffenden Position durch 2-maliges schnelles Drücken der Taste **[Set]** überspringen.



8) Die Endabnahme der Anlage ausführen

8.1) Test für die endabnahme

Für jedes einzelne Element des Automatismus wie zum Beispiel Schaltleisten, Photozellen, Notstops usw. ist eine spezielle Abnahmephase erforderlich; für diese Vorrichtungen sind die Verfahren in den jeweiligen Anleitungen auszuführen. Für die Abnahme von SOON muss die folgende Sequenz an Vorgängen ausgeführt werden:

1. Prüfen, ob alles in Kapitel 1 "HINWEISE" angegebene genauestens eingehalten ist.
2. Das Tor vom Motor entriegeln, indem das Entriegelungsseil nach unten gezogen wird. Prüfen, ob es möglich ist, das Tor in Öffnung und Schließung mit einer Kraft nicht über 225N von Hand zu bewegen.
3. Das Tor wieder mit dem Motor verriegeln, indem am Verriegelungsseil gezogen wird.
4. Den Schlüsseltaster oder Funksender verwenden, die Schließung und Öffnung des Tors testen und prüfen, ob die Bewegung wie vorgesehen ist.
5. Besser mehrere Tests ausführen, um das Gleiten des Tors und eventuelle Montage- und Einstellfehler sowie das Vorhandensein besonderer Reibungen zu überprüfen.
6. Den korrekten Betrieb aller Sicherheitsvorrichtungen der Anlage

einzelnen überprüfen (Photozellen, Schaltleisten usw.). Bei jeder Auslösung einer Vorrichtung wird die BlueBUS-LED an der Steuerung zweimal schneller blinken und so bestätigen, dass die Steuerung das Ereignis erkannt hat.

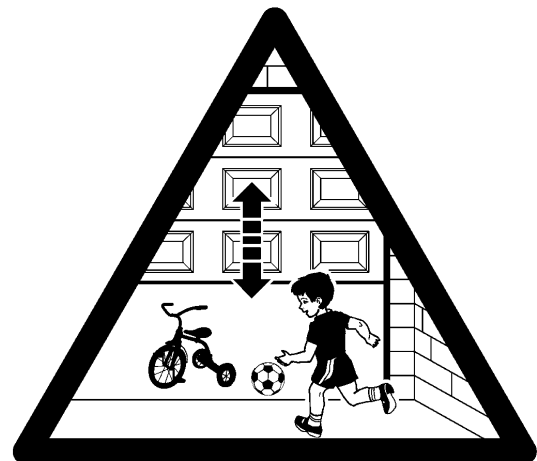
7. Zur Überprüfung der Photozellen und insbesondere um zu prüfen, dass keine Interferenzen mit anderen Vorrichtungen vorhanden sind, einen 30 cm langen Zylinder mit 5 cm Durchmesser auf der optischen Achse zuerst nah an TX, dann nah an RX und abschließend in ihrer Mitte durchführen (siehe Abbildung 15) und prüfen, dass die Vorrichtung in allen Fällen ausgelöst wird und vom aktiven Zustand auf den Alarmzustand übergeht und umgekehrt; abschließend prüfen, dass in der Steuerung die vorgesehene Handlung erfolgt, wie zum Beispiel: während der Schließung also zum Beispiel eine Umkehrung der Bewegung.
8. Falls die durch die Torbewegung verursachten Gefahren mittels Begrenzung der Aufprallkraft abgesichert worden sind, muss die Kraft nach den Verordnungen der Vorschrift EN 12445 gemessen werden. Falls die « Geschwindigkeitsregelung » und die Kontrolle der "Motorkraft" als Hilfsmittel für das System zur Aufprallkraftreduzierung benutzt wird, die Einstellung erproben und finden, mit der die besten Ergebnisse erzielt werden.

8.2) Inbetriebsetzung

Die Inbetriebsetzung darf erst erfolgen, nachdem alle Abnahmephasen von Soon sowie der anderen Vorrichtungen erfolgreich beendet sind. Eine teilweise oder vorübergehende Inbetriebsetzung ist unzulässig.

1. Die technischen Unterlagen der Automatisierung zusammenstellen und diese mindestens 10 Jahre lang aufbewahren. Sie müssen mindestens umfassen: Gesamtzeichnung der Automatisierung, Schaltplan mit den elektrischen Anschlüssen, Risikoanalyse und jeweilige angewendete Lösungen, Konformitätserklärung des Herstellers für alle benutzten Vorrichtungen (für Soon die anliegende "CE-Konformitätserklärung" verwenden), Kopie der Bedienungsanweisungen und des Wartungsplans der Automatisierung.
2. Am Tor ein Schild mit mindestens folgenden Daten anbringen: Automatisierungstyp, Name und Adresse des Herstellers (Verantwortlicher der "Inbetriebsetzung"), Seriennummer, Baujahr und CE-Markierung.
3. In Tornähe auf bleibende Art ein Etikett oder ein Schild befestigen, dass die Angaben zur Durchführung der Entriegelung und der Bewegung von Hand enthält.
4. Am Tor auf bleibende Weise ein Etikett oder Schild mit dieser Abbildung befestigen (Mindesthöhe 60 mm).
5. Die Konformitätserklärung der Automatisierung anfertigen und dem Inhaber aushändigen.
6. Das Handbuch "Anweisungen und Hinweise für die Bedienung der Automatisierung" anfertigen und dem Inhaber der Automatisierung übergeben.

7. Den Wartungsplan anfertigen und dem Inhaber der Automatisierung aushändigen. Er enthält die Wartungsvorschriften der einzelnen Vorrichtungen.
8. Vor der Inbetriebsetzung des Automatismus, den Inhaber auf geeignete Weise und schriftlich (z.B. in den "Anweisungen und Hinweise für die Bedienung der Automatisierung" über die noch vorhandenen Gefahren und Risiken informieren.



9) Anweisungen für die Personalisierung der Automatisierung

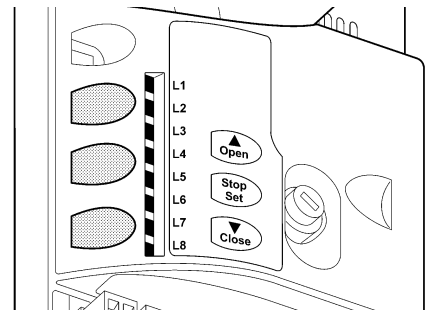
Im ZWEITEN TEIL des Handbuchs wird beschrieben, wie die Automatisierung durch Einstellungen und Optionen, die in der Steuerung gespeichert werden, personalisiert werden kann. Ein Endabschnitt des Handbuchs ist dagegen den Problemen und ihrer Lösung sowie der Wartung und Entsorgung des Produktes gewidmet.

9.1) Programmierungstasten

An der Steuerung von SOON sind 3 Tasten vorhanden, die sowohl zur Schaltung der Steuerung bei den Tests als auch zu Programmierungen benutzt werden können:

OPEN ▲	Mit Taste "OPEN" kann dem Tor ein Öffnungsbefehl erteilt werden oder sie dient zur Verschiebung des Programmierungspunktes nach oben.
STOP SET	Mit Taste "STOP" kann die Bewegung angehalten werden; falls länger als 5 Sekunden gedrückt, ermöglicht sie den Zugriff auf die Programmierung.
CLOSE ▼	Mit Taste "CLOSE" kann dem Tor ein Schließbefehl erteilt werden oder sie dient zur Verschiebung des Programmierungspunktes nach unten.

12



10) Programmierungen

Die Steuerung von SOON verfügt über einige programmierbare Funktionen; die Einstellung dieser Funktionen erfolgt mit 3 Tasten an der Steuerung: **[▲] [Set] [▼]**; die Funktionen werden über 8 LEDs angezeigt: **L1....L8**.

Die an SOON zur Verfügung stehenden programmierbaren Funktionen befinden sich auf 2 Niveaus:

Erstes Niveau: ON-OFF-Funktionen (aktiv oder nicht aktiv); in diesem Fall zeigt jede LED **L1É.L8** eine Funktion an; wenn die LED leuchtet, ist die Funktion aktiviert, wenn die LED nicht leuchtet, ist die Funktion deaktiviert - siehe Tabelle Nr. 3.

Zweites Niveau: auf einer Werteskala von 1 bis 8 einstellbare Parameter; in diesem Fall zeigt jede LED **L1É.L8** den unter den 8 möglichen eingestellten Wert an - siehe Tabelle Nr. 4.

10.1) Funktionen des ersten niveaus

Tabelle 3: Liste der programmierbaren Funktionen: erstes Niveau

LED	Funktion	Beschreibung
L1	Automatische Schließung	Diese Funktion ermöglicht eine automatische Torschließung nach der programmierten Pausezeit; werkseitig ist die Pausezeit auf 30 Sekunden eingestellt, kann aber auf 10, 20, 40, 60, 80, 120, 160 und 200 Sekunden geändert werden. Wenn die Funktion nicht aktiviert ist, ist die Funktionsweise "halbautomatisch".
L2	Zulauf nach Durchfahrt der Photozelle	Diese Funktion ermöglicht es, das Tor nur in der zur Durchfahrt nötigen Zeit geöffnet zu halten. In der Tat verursacht die Auslösung von « Foto » immer ein automatisches erneutes Schließen mit einer Pausezeit von 5 Sekunden (unabhängig vom programmierten Wert). Das Verhalten ändert sich je nachdem, ob die Funktion « Automatische Schließung » aktiviert ist oder nicht. Mit deaktivierter "Automatischer Schließung": Das Tor erreicht immer die Position ganz geöffnet (auch wenn die Photozelle vorher frei wird). Beim Freiwerden der Photozelle wird der automatische Zulauf mit einer Pause von 5 Sekunden verursacht. Mit aktivierter "Automatischer Schließung": die Öffnungsbewegung stoppt gleich nach dem Freiwerden der Photozellen und es wird der automatische Zulauf mit einer Pause von 5 Sekunden verursacht. Die Funktion "Zulauf nach Durchfahrt der Photozelle" wird im Falle von Bewegungen, die mit einem Stoppbefehl unterbrochen wurden, immer deaktiviert. Wenn die Funktion "Zulauf nach Durchfahrt der Photozelle" nicht aktiviert ist, wird die Pausezeit wie programmiert sein, oder es erfolgt kein automatischer Zulauf, wenn die Funktion nicht aktiviert war.
L3	Schließt immer	Die Funktion "Schließt Immer" wird ausgelöst und verursacht eine Schließung, wenn nach einem Stromausfall und der Rückkehr der Stromversorgung das geöffnete Tor wahrgenommen wird. Aus Sicherheitsgründen geht der Bewegung eine Vorwarnung von 3 Sekunden voraus. Wenn die Funktion nicht aktiviert ist, wird das Tor nach der Rückkehr der Stromversorgung stehen bleiben.
L4	Stand-By	Mit dieser Funktion kann der Verbrauch auf das Geringste reduziert werden. Wenn diese Funktion aktiviert ist, schaltet die Steuerung 1 Minute nach Beendigung der Bewegung den Ausgang BlueBUS (und daher alle Vorrichtungen) sowie alle LEDs mit Ausnahme der BlueBUS-LED aus, die langsamer blinken wird. Wenn die Steuerung einen Befehl erhält, geht sie wieder auf den Normalbetrieb über. Wenn die Funktion deaktiviert ist, erfolgt keine Reduzierung des Stromverbrauchs.
L5	Lange Reversierung	Mit dieser Funktion kann der Reversierungstyp gewählt werden, den das Tor aufgrund der Auslösung von STOPP oder des Kraftbegrenzers ausführt. Bei deaktivierter Funktion ist die Reversierung kurz (ca. 15 cm). Wenn die Funktion aktiviert ist, erfolgt die Reversierung bis zum maximalen Maß in Öffnung oder Schließung.
L6	Vorwarnen	Mit der Vorwarnfunktion wird eine 3 Sekunden lange Pause zwischen Einschalten der Blinkleuchte und Bewegungsbeginn erfolgen, um die Gefahr vorab bekannt zu geben. Wenn die Vorwarnfunktion nicht aktiviert ist, erfolgen Einschalten der Blinkleuchte und Bewegungsbeginn gleichzeitig.
L7	Empfindlichkeit	Mit dieser Funktion kann die Empfindlichkeit des Antriebs bei der Wahrnehmung von Hindernissen bedeutend erhöht werden. Falls als Hilfe zur Aufprallkraftmessung benutzt, sind auch die Parameter „Geschwindigkeit“ und "Motorkraft" im Menü zweiten Niveaus einzustellen.
L8	Ausgleich	Mit dieser Funktion kann die Dehnung der Metallseile des Tors im Laufe der Zeit ausgeglichen werden; sie untersteht der Anwendung einer resistiven Schaltleiste des Typs 8,2KΩ oder einer optischen Schaltleiste des Typs OSE.

Während des Normalbetriebs von SOON sind die LEDs **L1....L8** nach dem Status der Funktion, die sie darstellen, ein- oder ausgeschaltet, zum Beispiel ist **L1** eingeschaltet, wenn die Funktion "Automatische Schließung" aktiviert ist.

10.2) Programmierungen des ersten niveaus

Werkseitig sind alle Funktionen des ersten Niveaus auf "OFF" gestellt, was aber jederzeit geändert werden kann, wie hier folgend beschrieben. Bei der Durchführung des Verfahrens vorsichtig sein, da die Zeitgrenze 10s zwischen dem Druck auf eine Taste und die andere beträgt. Andernfalls wird das Verfahren automatisch beendet, mit Speicherung der bisher ausgeführten Änderungen.

1. Auf Taste **[Set]** drücken und ca. 3 Sekunden gedrückt halten
2. Taste **[Set]** loslassen, wenn LED L1 zu blinken beginnt
3. Auf Taste **[▲]** oder **[▼]** drücken, um das Blinken auf die LED zu verschieben, welche die zu ändernde Funktion darstellt
4. Auf Taste **[Set]** drücken, um den Status der Funktion zu ändern (kurzes Blinken = OFF; langes Blinken = ON)

10s warten, um die Programmierung aufgrund des Ablaufs der Zeitgrenze zu beenden.

Anmerkung: die Punkte 3 und 4 können während derselben Programmierungsphase wiederholt werden, um andere Funktionen auf ON oder OFF zu stellen.

10.3) Funktionen des zweiten niveaus (einstellbaren Parameter)

Tabelle 4: Liste der programmierbaren Funktionen: zweites Niveau

Eingangs- LED	Parameter	LED (Niveau)	Wert	Beschreibung
L1	Pausezeit	L1	10 Sekunden	Stellt die Pausezeit ein bzw. die Zeit vor dem automatischen Zulauf. Wirkt nur, falls die automatische Schließung aktiviert ist.
		L2	20 Sekunden	
		L3	40 Sekunden	
		L4	60 Sekunden	
		L5	80 Sekunden	
		L6	120 Sekunden	
		L7	160 Sekunden	
		L8	200 Sekunden	
L2	Funktion Schrittbetrieb	L1	Öffnet - Stop - Schließt - Stop	Stellt die Sequenz der Steuerbefehle ein, die dem Eingang Schrittbetrieb oder dem 1. Funkbefehl zugeteilt sind.
		L2	Öffnet - Stop - Schließt - Öffnet	
		L3	Öffnet - Schließt - Öffnet - Schließt	
		L4	Wohnblockbetrieb	
		L5	Wohnblockbetrieb 2 (mehr als 2" bewirkt Stop)	
		L6	Schrittbetrieb 2 (weniger als 2" bewirkt Gehflügel)	
		L7	Todmannfunktion	
		L8	Öffnung "halbautomatisch", Schließung mit "Todmannfunktion"	
L3	Motorgeschwindigkeit	L1	Geschwindigkeit 1 (30% - langsam)	Stellt die Motorgeschwindigkeit während des normalen Laufs ein
		L2	Geschwindigkeit 2 (44%)	
		L3	Geschwindigkeit 3 (58%)	
		L4	Geschwindigkeit 4 (72%)	
		L5	Geschwindigkeit 5 (86%)	
		L6	Geschwindigkeit 6 (100% - schnell)	
		L7	Öffnet V4, schließt V2	
		L8	Öffnet V6, schließt V4	
L4	Ausgang FLASH	L1	Kontrolllampe Tor Geöffnet	Wählt die an Ausgang FLASH angeschlossene Vorrichtung
		L2	Aktiv, wenn das Tor geschlossen ist	
		L3	Aktiv, wenn das Tor geöffnet ist	
		L4	Blinkleuchte	
		L5	Elektrosperre	
		L6	Elektroschloss	
		L7	Saugscheibe	
		L8	Leuchtmelder Wartung erforderlich	
L5	Motorkraft in Öffnung	L1	Kraft 1 (niedrig)	Regelt das Kontrollsystem der Motorkraft, um sie während der Öffnungsbewegung dem Tor typ anzupassen.
		L2	Kraft 2	
		L3	Kraft 3	
		L4	Kraft 4	
		L5	Kraft 5	
		L6	Kraft 6	
		L7	Kraft 7	
		L8	Kraft 8 (hoch)	
L6	Motorkraft in Schließung	L1	Kraft 1 (niedrig)	Regelt das Kontrollsystem der Motorkraft, um sie während der Schließbewegung dem Tor typ anzupassen.
		L2	Kraft 2	
		L3	Kraft 3	
		L4	Kraft 4	
		L5	Kraft 5	
		L6	Kraft 6	
		L7	Kraft 7	
		L8	Kraft 8 (hoch)	

Anmerkung: "■" ist die werkseitige Einstellung

SEGUE

Eingangs- LED	Parameter	LED (Niveau)	Wert	Beschreibung
L7	Wartungsan- zeige	L1	Automatisch (je nach Beschwerlichkeit der Bewegungen)	Regelt die Anzahl an Bewegungen, nach der die Anzeige «Wartung der Automatisierung erforderlich» erscheinen soll (siehe Par. "13 Wartungsmeldung").
		L2	1.000	
		L3	2.000	
		L4	4.000	
		L5	6.000	
		L6	8.000	
		L7	10.000	
		L8	12.000	
L8	Liste der Störungen	L1	Ergebnis 1. Bewegung (die letzte)	Zur Überprüfung der Störung, die bei den 8 letzten Bewegungen erfolgte (siehe Par. "14 Alarmhistorik").
		L2	Ergebnis 2. Bewegung	
		L3	Ergebnis 3. Bewegung	
		L4	Ergebnis 4. Bewegung	
		L5	Ergebnis 5. Bewegung	
		L6	Ergebnis 6. Bewegung	
		L7	Ergebnis 7. Bewegung	
		L8	Ergebnis 8. Bewegung	

Anmerkung: "■" ist die werkseitige Einstellung

Alle Parameter können beliebig ohne Nebenwirkungen eingestellt werden, nur für die Einstellung der "Motorkraft in Öffnung" und "Motorkraft in Schließung" könnte besondere Aufmerksamkeit geboten sein:

- Keine hohen Kraftwerte benutzen, um der Tatsache abzuwehren, dass das Tor starke Reibungspunkte hat. Eine zu starke Kraft kann das Sicherheitssystem beeinträchtigen und das Tor beschädigen.
- Falls die Kontrolle der "Motorkraft" als Hilfsmittel für das System zur Aufprallkraftreduzierung benutzt wird, die Kraftmessung nach jeder Einstellung wiederholen, wie von Norm EN 12445 vorgesehen.
- Verschleiß und Witterung können die Torbewegungen beeinflussen; die Krafteinstellung sollte in regelmäßigen Abständen überprüft werden.

10.4) Programmierungen zweiten niveaus

Werkseitig sind die einstellbaren Parameter wie in Tabelle Nr. 4 mit "■" angegeben eingestellt, sie können aber wie hier folgend beschrieben jederzeit geändert werden. Bei der Durchführung des Verfahrens vorsichtig sein, da die Zeitgrenze 10s zwischen dem Druck auf eine Taste und die andere beträgt. Andernfalls wird das Verfahren automatisch beendet, mit Speicherung der bisher ausgeführten Änderungen.

1.	Auf Taste [Set] drücken und ca. 3 Sekunden gedrückt halten
2.	Taste [Set] loslassen, wenn LED L1 zu blinken beginnt
3.	Auf Taste [▲] oder [▼] drücken, um das Blinken auf die "Eingangs-LED" zu verschieben, die den zu ändernden Parameter darstellt
4.	Auf Taste [Set] drücken und gedrückt halten; die Taste [Set] muss während der Schritte 5 und 6 ständig gedrückt bleiben
5.	Ca. 3s warten, danach wird die LED aufleuchten, die das aktuelle Niveau des zu ändernden Parameters darstellt
6.	Auf Taste [▲] oder [▼] drücken, um die LED zu verschieben, die den Wert des Parameters darstellt.
7.	Die Taste [Set] loslassen

10s warten, um die Programmierung aufgrund des Ablaufs der Zeitgrenze zu beenden.

Anmerkung: die Punkte von 3 bis 7 können während derselben Programmierungsphase wiederholt werden, um mehrere Parameter einzustellen.

11) Wartungsanzeige

SOON warnt den Benutzer, wann eine Wartung der Automatisierung ausgeführt werden soll. Die Anzahl an Bewegungen, nach der die Anzeige erfolgt, kann im einstellbaren Parameter "Wartungsanzeige" (siehe Tabelle 4) auf 8 Niveaus ausgewählt werden. 4).

Das Niveau 1 ist "automatisch" und berücksichtigt die Beschwerlichkeit der Bewegungen bzw. den Kraftaufwand und die Dauer der Bewegung, wogegen die anderen Niveaus von der Anzahl der Bewegungen ausgehen.

Die Anzeige "Wartung notwendig" erfolgt durch die Blinkleuchte oder die Wartungskontrolllampe, je nach Programmierung (siehe Tab. 4). Je nach Anzahl an ausgeführten Bewegungen im Vergleich zum programmierten Grenzwert geben die Blinkleuchte Flash und die Wartungskontrolllampe die in Tabelle 5 angegebenen Anzeigen ab. 5.

Tabelle 5: Wartungsanzeige mit Flash und Wartungskontrolllampe

Anzahl an Bewegungen	Anzeige an Flash	Anzeige an Wartungskontrolllampe
Unter 80% des Grenzwertes	Normal (0,5 Sek. ein, 0,5 Sek. aus).	Ein für 2 Sek. bei Öffnungsbeginn
Zwischen 81 und 100% des Bewegung.	Bleibt bei Öffnungsbeginn 2 Sek. eingeschaltet, blinkt dann normal weiter	Blinkt während der ganzen Grenzwertes
Über 100% des Grenzwertes	Bleibt bei Bewegungsbeginn und am Ende der Bewegung 2 Sek. eingeschaltet, blinkt dann normal weiter	Blinkt immer

11.1) Überprüfung der Anzahl an ausgeführten Bewegungen

Mit der Funktion "Wartungsanzeige" kann die Anzahl an ausgeführten Bewegungen als Prozentsatz des eingestellten Grenzwertes überprüft werden. Die Überprüfung wie hier folgend beschrieben ausführen.

1. Auf Taste **[Set]** drücken und ca. 3 Sekunden gedrückt halten
2. Taste **[Set]** loslassen, wenn LED L1 zu blinken beginnt
3. Auf Taste **[▲]** oder **[▼]** drücken, um das Blinken auf die LED L7, die "Eingangs-LED" des Parameters "Wartungsanzeige" zu verschieben
4. Auf Taste **[Set]** drücken und gedrückt halten; die Taste **[Set]** muss während der Schritte 5, 6 und 7 ständig gedrückt bleiben
5. Ca. 3s warten, danach wird die LED aufleuchten, die das aktuelle Niveau des Parameters "Wartungsanzeige" darstellt
6. Auf die Tasten **[▲]** und **[▼]** drücken und sofort loslassen.
7. Die LED, die dem gewählten Niveau entspricht, wird mehrmals blinken. Die Anzahl an Blinkvorgängen steht für den Prozentsatz an ausgeführten Bewegungen (Vielfaches von 10%) im Vergleich zum eingestellten Grenzwert. Beispiel: eingestellt ist die Wartungsanzeige an L7 mit 10000. 10% entspricht 1000 Bewegungen. Wenn die LED vier Mal blinkt, ist 40% der Bewegungen erreicht worden (zwischen 4000 und 4999 Bewegungen). Unter 10% der Bewegungen erfolgt kein Blinken.
8. Die Taste **[Set]** loslassen

11.2) Nullstellung des Bewegungszählers

Nach der Wartung der Anlage muss der Bewegungszähler auf Null gestellt werden. Wie in Tabelle 18 beschrieben vorgehen.

1. Auf Taste **[Set]** drücken und ca. 3 Sekunden gedrückt halten
2. Taste **[Set]** loslassen, wenn LED L1 zu blinken beginnt
3. Auf Taste **[▲]** oder **[▼]** drücken, um das Blinken auf die LED L7, die "Eingangs-LED" des Parameters "Wartungsanzeige" zu verschieben
4. Auf Taste **[Set]** drücken und gedrückt halten; die Taste **[Set]** muss während der Schritte 5 und 6 ständig gedrückt bleiben
5. Ca. 3s warten, danach wird die LED aufleuchten, die das aktuelle Niveau des Parameters "Wartungsanzeige" darstellt
6. Auf die Tasten **[▲]** und **[▼]** drücken und mindestens 5 Sekunden lang gedrückt halten, dann die beiden Tasten loslassen. Die dem gewählten Niveau entsprechende LED wird mehrmals schnell blinken und so anzeigen, dass der Bewegungszähler nullgestellt ist.
7. Die Taste **[Set]** loslassen.

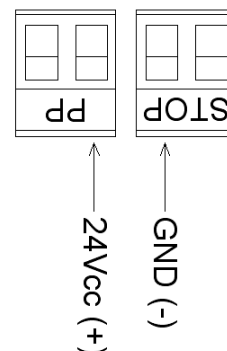
12) Liste der alarmhistorik

SOON ermöglicht es, eventuelle Störungen bei den 8 letzten Bewegungen zu sehen, wie z.B. die Unterbrechung einer Bewegung infolge der Auslösung einer Photozelle oder Schalleiste. Um die Liste der Alarmhistorik zu überprüfen, wie hier folgend beschrieben vorgehen.

1. Auf Taste **[Set]** drücken und ca. 3 Sekunden gedrückt halten
2. Taste **[Set]** loslassen, wenn LED L1 zu blinken beginnt
3. Auf Taste **[▲]** oder **[▼]** drücken, um das Blinken auf die LED L8, die "Eingangs-LED" des Parameters "Alarmhistorik" zu verschieben
4. Auf Taste **[Set]** drücken und gedrückt halten; die Taste **[Set]** muss während der Schritte 5 und 6 ständig gedrückt bleiben
5. Ca. 3s warten, danach werden die LEDs aufleuchten, die den Bewegungen mit der Störung entsprechen. L1 gibt das Ergebnis der letzten Bewegung an, L8 das Ergebnis der achten. Wenn die LED leuchtet, haben sich Störungen während der Bewegung ereignet, wenn sie ausgeschaltet ist, wurde die Bewegung störungsfrei beendet.
6. Auf die Tasten **[▲]** und **[▼]** drücken, um die gewünschte Bewegung auszuwählen: die entsprechende LED wird sooft blinken, wie die Blinkleuchte gewöhnlich nach einer Störung blinkt.
7. Die Taste **[Set]** loslassen.

13) Verbindung sonstiger vorrichtungen

Sollte es notwendig sein, externe Vorrichtungen wie zum Beispiel einen Proximity-Leser für Transponder-Cards oder die Beleuchtung des Schlüsseltasters anzuschließen, kann die Versorgung wie in Abbildung 12 gezeigt entnommen werden. Die Versorgungsspannung ist 24Vcc -30% ÷ +50% mit zur Verfügung stehendem Höchststrom von 100mA.



14) Weitere Auskünfte: Sonderfunktionen

14.1) Funktion "Öffnet Immer"

Die Funktion "Öffnet Immer" ist eine Besonderheit der Steuerung, mit der immer eine Öffnungsbewegung erfolgt, wenn der Befehl "Schrittbetrieb" länger als 2 Sekunden gegeben wird; das ist zum Beispiel nützlich, um an Klemme Schrittbetrieb den Kontakt einer Zeituhr anzuschließen, damit das Tor in einer bestimmten Zeitspanne geöffnet bleibt. Diese Eigenschaft ist unabhängig von der Programmierung des Eingangs P.P. (Schrittbetrieb), außer wenn dieser Eingang als "Wohnblock 2" programmiert ist - siehe Parameter "Funktion Schrittbetrieb" in Tabelle Nr. 4.

14.2) Funktion "Todmann"

Wenn eine Sicherheitsvorrichtung nicht korrekt funktionieren oder außer Betrieb sein sollte, kann das Tor in der Modalität "Todmann" bewegt werden. Für Einzelheiten wird auf den Paragraph "Torbewegung mit Sicherheitsvorrichtungen außer Betrieb" in der Anlage "Anweisungen und Hinweise für den Benutzer des Toröffners SOON" verwiesen.

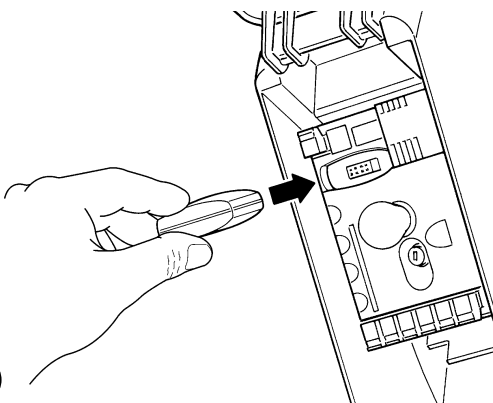
15) Funktionsweise der Automatisierung über sender und funkempfänger "SM"

Die Steuerung verfügt über einen Verbinder für den Einbau eines steckbaren Funkempfängers des Typs "SM" (Abb. 13), um die Automatisierung über Sender/Empfänger zu steuern (Empfänger und Sender sind Sonderzubehör). Die vier Ausgänge des Empfängers ermöglichen es, der Steuerung folgende Befehle zu erteilen:

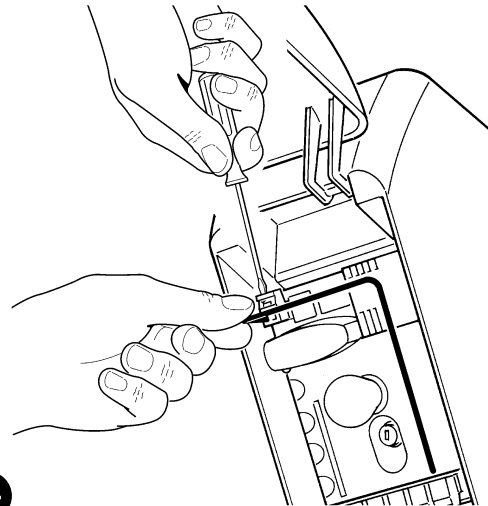
Falls die in LUCYB eingebaute Antenne oder eine andere externe Antenne nicht benutzt wird, das mit dem Empfänger gelieferte starre Kabel an der Klemme der Antenne festschrauben (Abb. 14).

Tabelle 6: Befehle mit Empfänger SMXI, SMXIS

Ausgang Nr. 1	Befehl "P.P." (Schrittbetrieb)
Ausgang Nr. 2	Befehl "Teilöffnung"
Ausgang Nr. 3	Befehl "Öffnet"
Ausgang Nr. 4	Befehl "Schließt"



13



14

16) Kontrolle und automatische diagnose von betriebsstörungen

Die Steuerung hält während des ordnungsgemäßen Betriebs die Automatisierungsprozesse ständig unter Kontrolle und zeigt eventuelle Störungen durch bereits eingestellte Blinksequenzen der Blinkleuchte, der zusätzlichen Beleuchtung oder der BlueBUS-Led an (das Diagnose-Blinken bezieht sich immer auf die von Soon ausgeführte, letzte Handlung). Für den Zusammenhang der Anzahl an Blinkvorgängen mit den Ursachen ist auf die nachfolgende Tabelle Bezug zu nehmen:

Tabelle 7: Diagnose-Blinken

Anzahl an Blinkv.	Ursache
1	BlueBUS-Synchronisierungsfehler
2	Auslösung von Photozelle oder Fehler beim Photozellentest
3	Antriebskraft ungenügend oder Hindernis während der Torbewegung wahrgenommen
4	Auslösung der Stoppvorrichtungen
5	Fehler in den gespeicherten Parametern
6	Auslösung des internen Bewegungsbegrenzers
7	Keine Betriebsspannung in den Antriebskreisen
8	Überstrom in den Antriebskreisen

17) Was tun, wenn... (Leitfaden zum Lösen von Problemen)

Hier folgt eine kurze Anleitung zur Lösung der üblichsten Probleme, die bei der Installation und Programmierung der Automatisierung auftreten können.

- **Es erfolgt keine Bewegung und die BlueBUS-LED blinkt nicht.**

- Prüfen, ob Soon mit der 230V Netzspannung gespeist ist. Prüfen, ob die Sicherungen F1 und F2 (Abb. 15) unterbrochen sind; in diesem Fall die Ursache des Defekts überprüfen, dann die Sicherungen mit anderen mit demselben Stromwert und denselben Merkmalen auswechseln.

- **Es erfolgt keine Bewegung und die Blinkleuchte blinkt nicht.**

- Prüfen, ob der Befehl effektiv empfangen wird. Falls der Befehl am Eingang PP angelangt, muss die jeweilige LED "PP" aufleuchten, wenn dagegen der Funksender benutzt wird, muss die BlueBUS-LED zweimal schnell blinken.

- **Es erfolgt keine Bewegung und die zusätzliche Beleuchtung blinkt mehrmals.**

Zählen, wie oft die Beleuchtung blinkt und nach den Angaben in Tabelle Nr. 7 überprüfen.

- **...während der Bewegung erfolgt eine kurze Umkehrung**

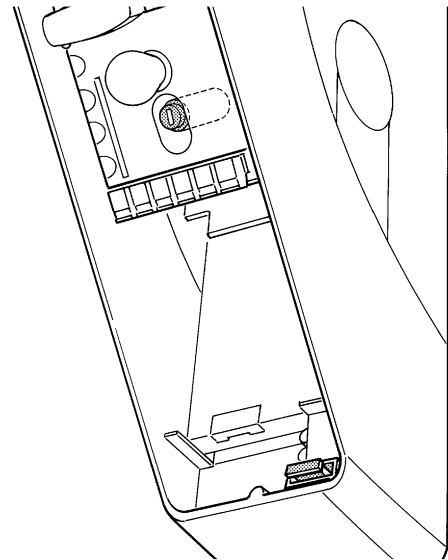
- Die gewählte Kraft könnte für das Tor zu gering sein. Prüfen, ob Hindernisse vorhanden sind und ggf. eine stärkere Kraft wählen.
- Prüfen, ob eine am Eingang Stopp angeschlossene Sicherheitsvorrichtung ausgelöst hat.

- **...die Bewegung wird ausgeführt, aber die am Ausgang FLASH angeschlossene Vorrichtung funktioniert nicht**

- Prüfen, dass die an Ausgang FLASH angeschlossene Vorrichtung die effektiv programmierte ist.
- Prüfen, ob Spannung an der Klemme der Vorrichtung vorhanden ist, wenn diese gespeist sein müsste; falls ja, hängt das Problem mit der Vorrichtung zusammen, die mit einer mit denselben Merkmalen ersetzt werden muss. Falls keine Spannung vorhanden ist, ist der Ausgang elektrisch überlastet. Prüfen, dass das Kabel nicht kurzgeschlossen ist.

- **...während der Speicherung der Maße blinken die LEDs 1 oder 8 schnell**

- Bedeutet, dass das Extralaufmaß hoch (L1 blinkt schnell) oder niedrig (L8 blinkt schnell) erreicht wurde.
- Falls L1 blinkt, eine Schließbewegung ausführen, bis L1 nicht mehr schnell blinkt. Dann Soon von der Federtragwelle abmontieren, das Tor in max. Position öffnen und Soon ab dieser Position wieder installieren.
- Falls L8 blinkt, eine Öffnungsbewegung ausführen, bis L8 nicht mehr schnell blinkt. Dann Soon von der Federtragwelle abmontieren, das Tor in max. Position schließen und Soon ab dieser Position wieder installieren.



15

18) Entsorgung

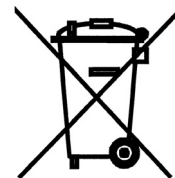
Wie die Installationsarbeiten muss auch die Abrüstung am Ende der Lebensdauer dieses Produktes von technischem Fachpersonal ausgeführt werden.

Dieses Produkt besteht aus verschiedenen Stoffen, von denen einige recycled werden können, andere müssen hingegen entsorgt werden. Informieren Sie sich über die Recycling- oder Entsorgungssysteme für dieses Produkt, die von den auf Ihrem Gebiet gültigen Verordnungen vorgesehen sind.

⚠ Bestimmte Teile des Produktes können Schadstoffe oder gefährliche Substanzen enthalten, die, falls in die Umwelt gegeben, schädliche Wirkungen auf die Umwelt und die Gesundheit der Menschen haben könnten.

Wie vom Symbol in Abb. 16 angegeben, darf dieses Produkt nicht in den Hausmüll gegeben werden. Daher differenziert nach den Methoden entsorgen, die von den auf Ihrem Gebiet gültigen Verordnungen vorgesehen sind, oder das Produkt dem Verkäufer beim Kauf eines neuen, gleichwertigen Produktes zurückgeben

⚠ Die örtlichen Verordnungen sehen schwere Strafen im Fall einer widerrechtlichen Entsorgung dieses Produktes vor.



16

Soon

Índice	pág.
Instrucciones para instalar y poner en funcionamiento la automatización	67
1 Trabajar en condiciones seguras	67
1.1 Precauciones y advertencias de seguridad	67
2 Conocer las características del producto	67
2.1 Descripción del producto, uso adecuado y características técnicas	67
3 Evaluar la factibilidad de la instalación	68
3.1 Control de los componentes del producto	68
3.2 Control de la idoneidad del ambiente	68
3.3 Control de los límites de empleo del producto	68
4 Instalar los diferentes componentes	68
4.1 Esquema típico de instalación	68
4.2 Instalación de los componentes mecánicos	69
4.3 Tendido de los cables eléctricos	70
4.4 Procedimiento manual de bloqueo y desbloqueo	70
5 Efectuar las conexiones eléctricas	70
5.1 Conexión de todos los dispositivos	70
5.2 Conexión de los dispositivos BlueBUS	72
5.2.1 Fococélulas	72
5.2.2 Fotosensor FT210B	72
5.3 Conexión de los dispositivos a la entrada STOP	72
5.4 Conexión de la alimentación eléctrica	73
6 primer encendido de la instalación - controles	73
6.1 Test de funcionamiento	73
7 Memorización de los dispositivos y posiciones	73
7.1 Memorización de los dispositivos	73
7.2 Memorización de las posiciones	74
8 Efectuar el ensayo final de la instalación	75
8.1 Test para el ensayo final	75
8.2 Puesta en servicio	75
9 Instrucciones para personalizar el funcionamiento de la automatización	76
9.1 Botones de programación	76
10 Programaciones	76
10.1 Funciones de primer nivel	76
10.2 Programaciones de primer nivel	77
10.3 Funciones de segundo nivel (parámetros regulables)	77
10.4 Programaciones de segundo nivel	78
11 Aviso de mantenimiento	78
11.1 Control del número de maniobras efectuadas	79
11.2 Puesta a cero del contador de maniobras	79
12 Listado del historial de los desperfectos	79
13 Conexión de otros dispositivos	79
14 Otras informaciones: funciones especiales	80
14.1 Función "Abrir siempre"	80
14.2 Función "Mover igualmente"	80
15 Funcionamiento de la automatización mediante transmisor y receptor "SM"	80
16 Control y diagnóstico automático de los desperfectos de funcionamiento	80
17 Qué hacer si ... (Guía para resolver los problemas)	81
18 Desguace	81

INTRODUCCIÓN

En este manual se explica cómo instalar, programar y utilizar dispositivo para abrir y cerrar puertas seccionales Soon. Los argumentos están subdivididos en tres partes diferentes:

La PRIMERA PARTE es una guía paso a paso que ilustra las etapas necesarias para la instalación "física" del producto y para ponerlo en funcionamiento.

La SEGUNDA PARTE describe cómo personalizar el funcionamiento de Soon mediante la programación de algunas funciones específicas y la elección de opcionales y regulaciones especiales. También hay una sección dedicada al mantenimiento y al desguace del producto.

⚠ La Primera y la Segunda Parte del manual están destinadas exclusivamente al Personal Técnico cualificado que instalará la automatización. Ninguna de estas informaciones puede ser considerada útil para el Usuario final del producto

Instrucciones para instalar y poner en funcionamiento la automatización

En esta PRIMERA PARTE se describen paso a paso todas las etapas de instalación del producto (montaje mecánico, conexiones eléctricas, ensayo) y su primera puesta en funcionamiento (configuraciones de funcionamiento).

Estas etapas están antecedidas por indicaciones muy importantes sobre la seguridad, las características del producto y la factibilidad de la instalación.

1) Trabajar en condiciones seguras

1.1) Precauciones y advertencias de seguridad

⚠ Las operaciones de instalación, programación y puesta en servicio del producto deben ser efectuadas únicamente por personal técnicamente cualificado, respetando las leyes y normas vigentes respectivas, y también las instrucciones contenidas en este manual. Este manual está estructurado para guiar paso a paso el trabajo de instalación, programación y puesta en servicio del motorreductor Soon. Todas las operaciones que hay que efectuar, junto con las instrucciones necesarias, están mencionadas en el orden exacto en que deberán llevarse a cabo.

Por lo tanto, es importante leer todas las secciones del manual antes de comenzar con la instalación. Se recomienda leer detenidamente las Secciones que contienen informaciones fundamentales para la SEGURIDAD como la Sección 1, la Sección 3 - CONTROLES A EFECTUAR ANTES DE LA INSTALACIÓN Y LÍMITES DE EMPLEO DEL PRODUCTO, y la Sección 8 - ENSAYO Y PUESTA EN SERVICIO DEL SISTEMA.

Considerando los peligros que pueden generarse durante la instalación y el uso diario del producto, es necesario que la instalación se realice respetando plenamente la Directiva europea n° 98/37/CE (Directiva de Máquinas que reglamenta la realización de una puerta o de una cancela automática) y, en especial, las normas EN 12445, EN 12453 y EN 12635.

La observancia de esta Directiva le permitirá trabajar con la máxima seguridad, pudiendo emitir al final del trabajo la declaración de la presunta conformidad y la seguridad de la instalación.

NOTA: Más informaciones y directrices para el análisis de los riesgos, útiles para la realización del "Expediente Técnico", están disponibles en la página web: www.niceforyou.com.

- Está prohibido utilizar el producto Soon de manera diferente de aquella indicada en este manual. Un uso inadecuado podría averiar el producto y ser peligroso para las personas o bienes.
- Está prohibido modificar cualquier componente del producto salvo que esté indicado expresamente en el manual. Las operaciones no autorizadas pueden provocar desperfectos de funcionamiento; Nice® no se asume ninguna responsabilidad por daños provocados por productos modificados arbitrariamente.
- Antes de comenzar la instalación es necesario realizar el análisis de los riesgos, que incluye la lista de los requisitos esenciales de seguridad previstos en el anexo I de la Directiva de Máquinas, indicando las respectivas soluciones adoptadas. Recuerde que el "análisis de los riesgos" es uno de los documentos que forman parte del "Expediente Técnico" de la automatización.
- Antes de comenzar la instalación compruebe si es necesario incorporar otros dispositivos y materiales que puedan servir para

completar la automatización con Soon, evaluando la situación de empleo específica y los peligros presentes: por ejemplo, deben tenerse en cuenta los peligros de choque, aplastamiento, corte, arrastre y otros peligros en general.

- Conecte exclusivamente la Central de mando de Soon a una línea de alimentación eléctrica dotada de puesta a tierra de seguridad.
- Durante la instalación, tenga cuidado de que las piezas de la automatización no sean sumergidas en el agua o en otras sustancias líquidas, ni que dichas sustancias u objetos sólidos entren dentro de la central o de los demás dispositivos abiertos. Si así fuera, desconecte inmediatamente la alimentación eléctrica y contacte con el Servicio de Asistencia Nice®.

⚠ ¡Utilizar el Soon en estas situaciones puede ser peligroso!

- No coloque los componentes del Soon cerca de fuentes de calor ni los exponga al fuego. Esto podría averiar los componentes del sistema y provocar desperfectos de funcionamiento, incendios o situaciones peligrosas.
- Durante la instalación, todas las operaciones que requieren el acceso a las piezas internas cubiertas por la tapa de Soon (por ej. los bornes) deben efectuarse con la alimentación eléctrica cortada. Si la conexión ya ha sido efectuada y el dispositivo de desconexión no está a la vista, es importante colocar un cartel que indique: "¡ATENCIÓN! MANTENIMIENTO EJECUTÁNDOSE".
- Si durante la instalación se desconectaran los sistemas de protección eléctrica, tales como los interruptores automáticos o los fusibles, antes de restablecerlos hay que localizar y eliminar la avería.
- Al concluir la instalación, la automatización puede utilizarse sólo después de haber efectuado la "puesta en servicio", tal como especificado en la Sección 8 - ENSAYO Y PUESTA EN SERVICIO DEL SISTEMA.
- Si el Soon debe permanecer por mucho tiempo inactivo, se aconseja extraer la batería opcional y guardarla en un lugar seco. Dicha medida de precaución evitará que la batería se deteriore y que de ésta salgan sustancias peligrosas.
- Si hubiera algún desperfecto que no se pueda resolver por medio de las informaciones contenidas en este manual, se aconseja contactar con el Servicio de Asistencia Nice®.
- El material de embalaje del producto Soon debe eliminarse respetando la normativa local en materia de eliminación de residuos.
- Se recomienda conservar con cuidado este manual para facilitar las futuras operaciones de mantenimiento o reparaciones del producto.

2) Conocer las características del producto

2.1) Descripción del producto, uso adecuado y características técnicas

SOON es un actuador electromecánico para la automatización de puertas seccionales de hasta 20m². El eje hueco de salida permite un acoplamiento fácil al eje portamuelles de la mayoría de las puertas seccionales en comercio.

La central SOA2, además de alimentar el motor con corriente continua, permite una regulación excelente del par y de la velocidad del

motorreductor, una medición exacta de las medidas, el arranque y el cierre graduales, y la detección del obstáculo. Además la central incorpora un indicador de mantenimiento que memoriza las maniobras que el motorreductor ejecuta durante toda su vida útil. El dispositivo de desbloqueo, que se acciona desde el suelo, desactiva el motor del cuerpo del reductor.

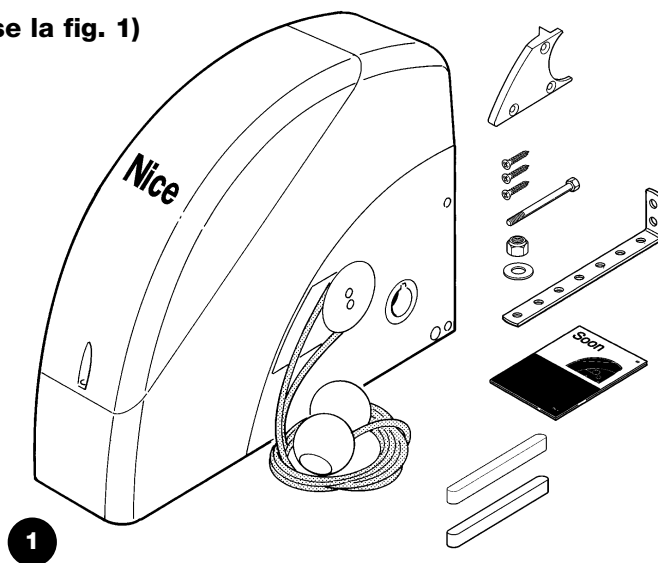
3) Evaluar la factibilidad de la instalación

Antes de proceder con la instalación, controle que los componentes del producto estén íntegros, que el modelo corresponda con el pedido y que sea idóneo para el entorno en el cual debe ser instalado.

3.1) Control de los componentes del producto (véase la fig. 1)

Controle que el embalaje esté íntegro; desembale el producto y compruebe que se encuentren los siguientes elementos:

- 1 motorreductor Soon
- 1 estribo de fijación
- 4 semicasquillos de desbloqueo
- 2 llaves
- 1 tornillo M8x130
- 1 tuerca M8 de seguridad
- 1 arandela Ø8
- 1 reenvío
- 3 tornillos autorroscantes negros
- 1 manual de instrucciones



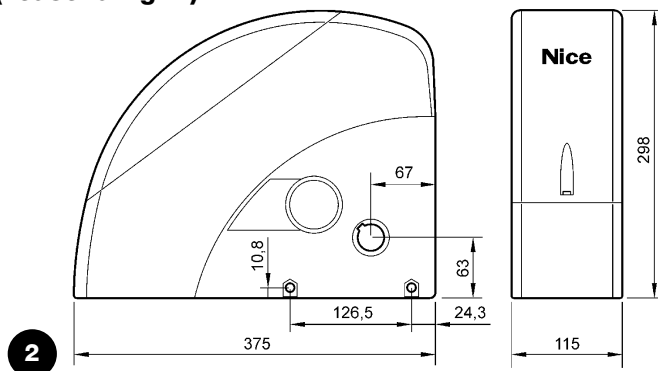
3.2) Control de la idoneidad del ambiente

- Controle que el entorno escogido para la instalación sea compatible con las medidas totales del modelo Soon (Fig. 2).
- Controle que no haya obstáculos en la trayectoria de la puerta seccional que puedan limitar el movimiento total de apertura y de cierre de la puerta.
- Controle que en el entorno escogido para la instalación se puedan realizar fácilmente y de manera segura las maniobras manuales.
- Controle que cada dispositivo que deba fijar quede colocado sobre una superficie firme y protegida de golpes accidentales.

3.3) Control de los límites de empleo del producto (véase la fig. 2)

Controle los límites de empleo del Soon y de los accesorios que se deseen montar, evaluando que sus características cumplan con las exigencias del entorno y los límites indicados a continuación:

- Controle que las dimensiones de la puerta seccional no supere 20m².
- Controle que el eje de movimiento de la puerta seccional sea compatible con el eje de salida del Soon, utilizando las llaves entregadas.
- Controle que el estribo de fijación a la pared sea suficientemente largo.



4) Instalar los diferentes componentes

⚠ La automatización debe ser instalada únicamente por personal cualificado, respetando las instrucciones dadas en este manual, las leyes y las normas vigentes.

4.1) Esquema típico de instalación (véase la Fig. 3)

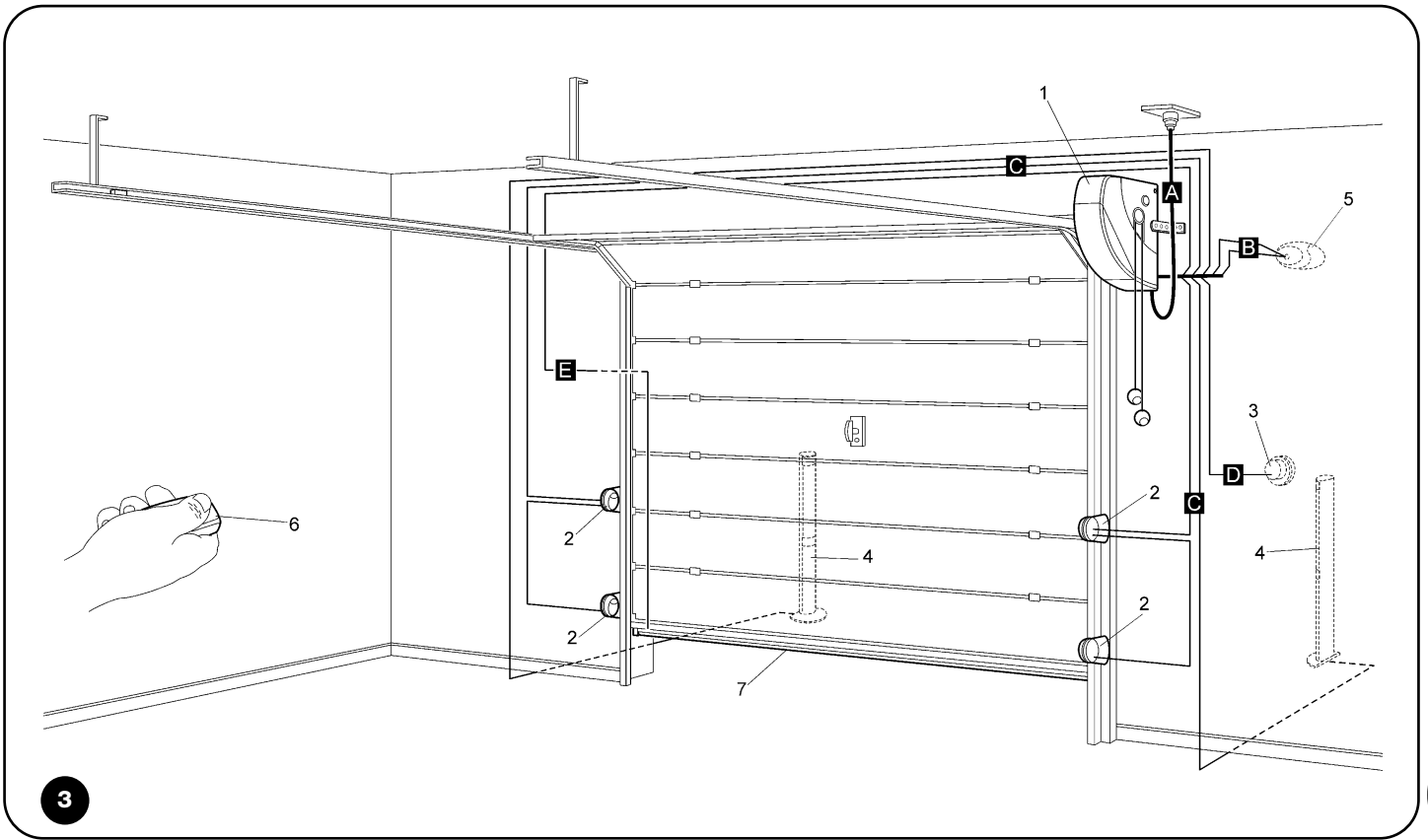
La Fig. 3 muestra la instalación completa de un motorreductor Soon. En el dibujo se muestran los componentes y los cables necesarios para la conexión, todo ensamblado y colocado según un esquema típico y usual.

Leyenda de los componentes mecánicos indicados en la Fig. 3:

- 1 - Motorreductor Soon
- 2 - Fotocélula
- 3 - Selector de llave
- 4 - Columna para fotocélula
- 5 - Luz intermitente
- 6 - Transmisor
- 7 - Banda de seguridad principal

Leyenda de los cables eléctricos en la Fig. 3:

- A - Línea eléctrica de alimentación
- B - Luz intermitente con antena
- C - Fotocélulas
- D - Selector de llave
- E - Banda de seguridad principal



3

E

4.2) Instalación de los componentes mecánicos

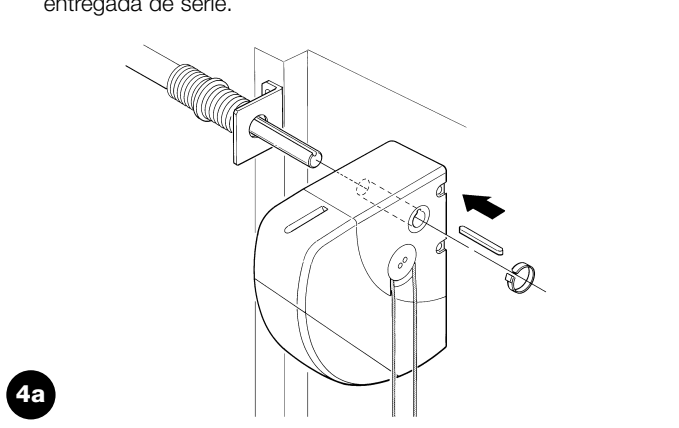
Después de haber concluido los trabajos de preparación para la instalación (por ejemplo la realización de las rozas para los tubos de los cables eléctricos o la colocación de las canaletas externas, la fijación en el hormigón de los tubos y otras preparaciones útiles) se podrá proceder con el montaje y la instalación completa de todos los componentes mecánicos y eléctricos del Soon. Proceda siguiendo el orden indicado a continuación.

Montaje del motorreductor Soon (véase la Fig. 4)

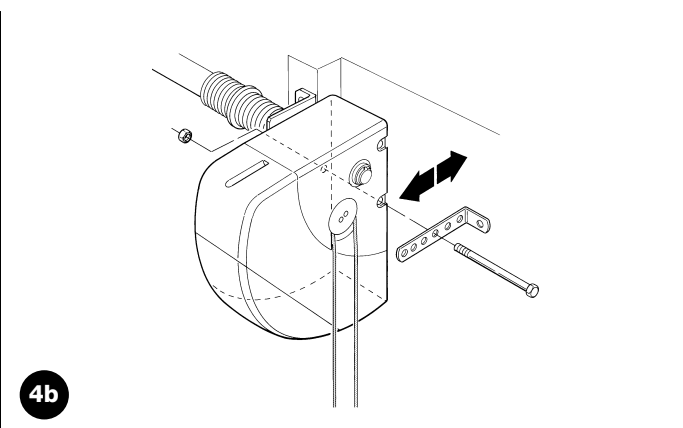
1. (Fig. 4-a) Introduzca el eje de salida del Soon en el eje de transmisión de la puerta seccional, acoplándolos utilizando la llave entregada de serie.

Realice esta operación con la puerta CERRADA.

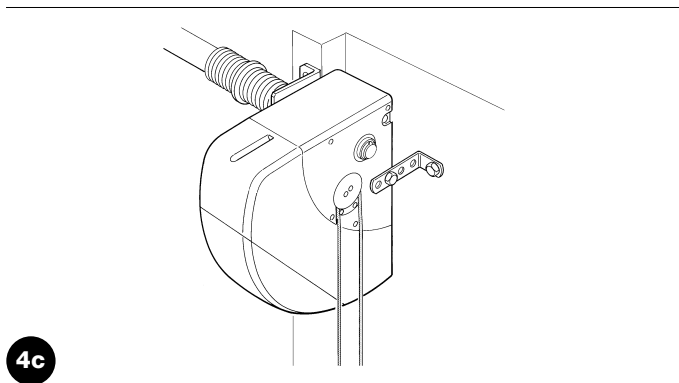
2. (Fig. 4-b) Fije el estribo al Soon con el tornillo, la tuerca y la arandela entregados de serie.
3. (Fig. 4-c) Fije el estribo a la pared con un taco (no suministrado) adecuado para el tipo de pared.
4. (Fig. 4-d) Soon puede instalarse en posición horizontal por medio de un reenvío (suministrado) específico que debe fijarse con tres tornillos (suministrados) en la posición indicada, observando las salidas de los cables de desbloqueo.



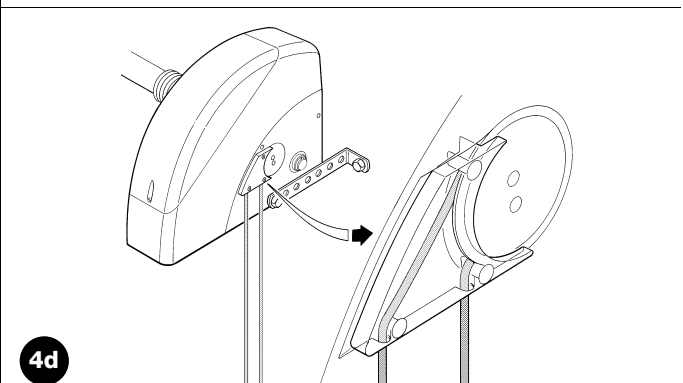
4a



4b



4c



4d

4.3) Tendido de los cables eléctricos (véase la Fig. 3 y la Tab. 1)

Concluida la instalación de los componentes mecánicos, proceda con el tendido de todos los cables eléctricos necesarios, tomando como referencia la Fig. 3 donde se muestra la colocación típica de dichos cables, y la Tabla 1 donde se analizan detalladamente sus características técnicas.

⚠ Los cables utilizados para las conexiones de los diferentes dispositivos deben ser adecuados para el tipo de instalación que se desea efectuar: se aconseja un cable tipo H03VV-F para instalaciones en interiores o en un local cubierto.

CARACTERÍSTICAS DE LOS CABLES ELÉCTRICOS

(Las letras de los cables también están indicadas en la Fig. 3)

Tabla 1: listado de los cables

Conexión	Tipo de cable	Longitud máxima admitida
A: Línea eléctrica de alimentación	1 cavo (3 x 1,5 mm ²)	30 m (*)
B: Luz intermitente	1 cavo (2 x 1 mm ²)	20 m
C: Antena	1 cable blindado (tipo RG58)	20 m (se aconseja: menos de 5 m)
D: Fotocélula	1 cavo (2 x 0,5 mm ²)	30 m
E: Selector de llave	1 cavo (4 x 0,5 mm ²)	50 m
F: Conexión bandas sensibles montadas en elementos móviles	1 cavo (2 x 0,5 mm ²)	20 m

Notas: (*) Si el cable de alimentación mide más de 30 m, habrá que utilizar un cable de sección más grande (por ejemplo 3 x 2,5mm²) y es necesaria una puesta a tierra de seguridad cerca de la automatización.

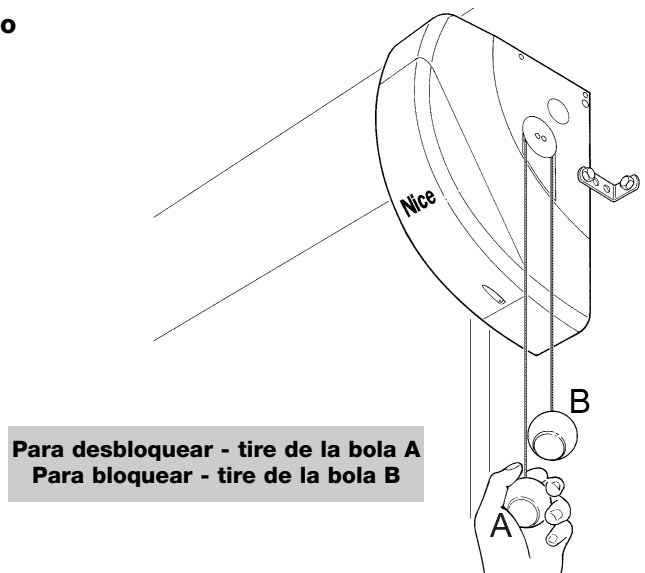
4.4) Procedimiento manual de desbloqueo y bloqueo

⚠ Tome como referencia este procedimiento cada vez que en el texto del manual se indique que haya que “bloquear” o “desbloquear” manualmente el mecanismos del SOON.

Notas:

Las maniobras de desbloqueo o de bloqueo del mecanismo deben hacerse exclusivamente con el motorreductor completamente detenido.

- La operación manual debe realizarse cuando no haya corriente eléctrica, cuando haya algún desperfecto en la instalación, o cuando esté indicado expresamente en el texto del manual.
- El desbloqueo manual permite que la puerta seccional se mueva libremente



Para desbloquear - tire de la bola A
Para bloquear - tire de la bola B

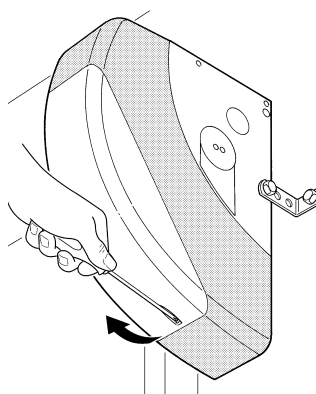
5) Efectuar las conexiones eléctricas

⚠ A fin de garantizar la seguridad del instalador y evitar daños a los componentes de la automatización, antes de efectuar las conexiones eléctricas o activar el Radiorreceptor, asegúrese de que la Central de mando esté DESCONECTADA de la red eléctrica y de posibles baterías de compensación.

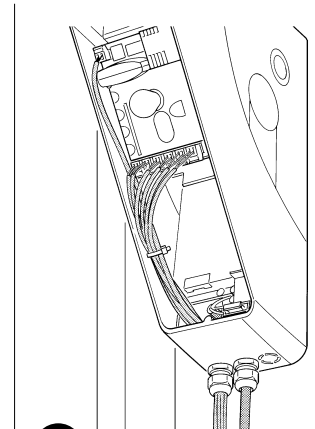
5.1) Conexión de todos los dispositivos

Todas las conexiones eléctricas deben efectuarse sin tensión en la instalación.

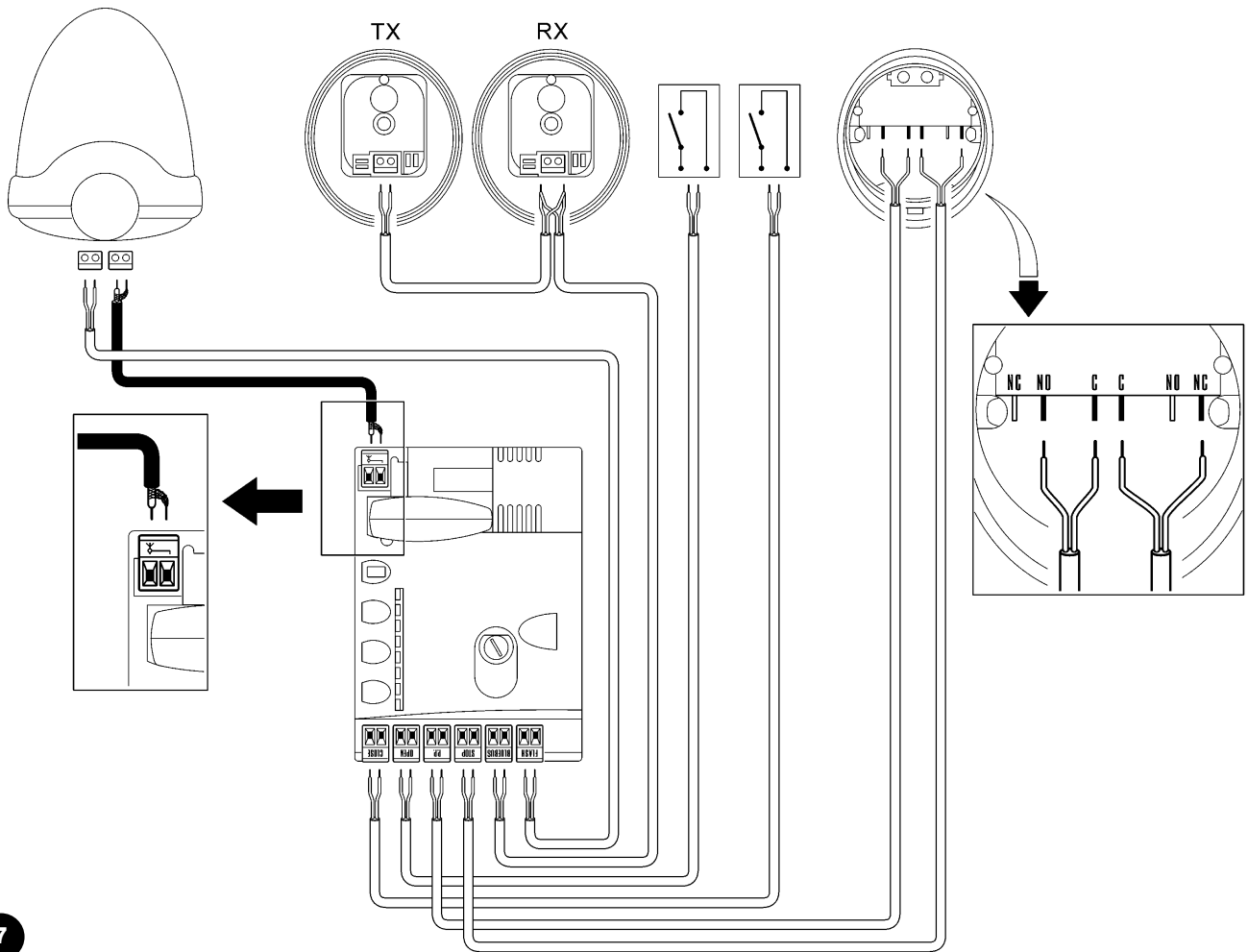
1. Para desmontar la tapa de protección y acceder a la central electrónica de control del SOON quite el tornillo del costado y levante la tapa tirando de ella hacia arriba (Fig. 5).
2. Afloje el prensaestopas libre y pase los cables para la conexión a los bornes de la central. Deje los cables 20÷30 cm más largos de lo necesario. Véase la tabla 1 para el tipo de cable y la Fig. 6 para las conexiones.
3. Conecte los cables según el esquema de la Fig. 7. Para mayor comodidad, los bornes son extraíbles.
4. Concluidas las conexiones, bloquee los cables apretando el prensaestopas. La parte que excede del cable de la antena debe atarse a los demás cables con otra abrazadera.



5



6



7

FLASH	esta salida es programable (véase la SEGUNDA PARTE del manual) para conectar uno de los siguientes dispositivos:
	Luz intermitente Si está programada como "luz intermitente" en la salida "FLASH", es posible conectar una luz intermitente NICE "LUCY B" con una bombilla de 12V 21W tipo automóvil. Durante la maniobra destella con una frecuencia de 0,5s encendida y 0,5s apagada.
	Salida "indicador puerta abierta" Si está programada como "indicador puerta abierta" en la salida "FLASH", es posible conectar un indicador luminoso de 24V máx. 5W para la señalización de puerta abierta. También puede programarse para otras funciones; véase la SEGUNDA PARTE del manual
	Ventosa* Si está programada como "ventosa" en la salida "FLASH", es posible conectar una ventosa de 24V máx. 10W (versiones sólo con electroimán, sin dispositivos electrónicos). Cuando la puerta está cerrada, la ventosa se activa bloqueando la puerta. Se desactiva durante la apertura o el cierre.
	Electrobloqueo* Si está programada como "electrobloqueo" en la salida "FLASH", es posible conectar un electrobloqueo con cerradura de golpe de 24V máx. 10W (versiones sólo con electroimán, sin dispositivos electrónicos). Durante la maniobra de apertura el electrobloqueo se activa y queda activo para dejar libre la puerta y efectuar el movimiento. Durante el cierre controle que el electrobloqueo se reenganche mecánicamente.
	Electrocerradura* Si está programada como "electrocerradura" en la salida "FLASH", es posible conectar una electrocerradura con cerradura de golpe de 24V máx. 10W (versiones sólo con electroimán, sin dispositivos electrónicos). Durante la maniobra de apertura la electrocerradura se activa y queda activa durante poco tiempo para dejar libre la puerta y efectuar el movimiento. Durante el cierre controle que la electrocerradura se reenganche mecánicamente.
BLUEBUS	en este borne se pueden conectar los dispositivos compatibles; todos se conectan en paralelo con dos conductores solos por los que transita tanto la alimentación eléctrica como las señales de comunicación. Para más informaciones sobre BlueBUS véase el párrafo "5.2 - Conexión de los dispositivos BlueBUS".
STOP	entrada para los dispositivos que bloquean o detienen la maniobra que se está ejecutando; con soluciones oportunas en la entrada es posible conectar contactos tipo "Normalmente Cerrado", "Normalmente Abierto", dispositivos de resistencia constante u ópticos. Para más informaciones sobre STOP, consulte el párrafo "5.3 - Conexión de los dispositivos a la entrada stop".
PP	entrada para los dispositivos que controlan el movimiento en modalidad Paso a Paso; es posible conectar contactos tipo "Normalmente Abierto".
OPEN	entrada para los dispositivos que accionan el movimiento de apertura sola; es posible conectar contactos tipo "Normalmente Abierto".
CLOSE	entrada para los dispositivos que accionan el movimiento de cierre solo; es posible conectar contactos tipo "Normalmente Abierto".
ANTENA	entrada de conexión de la antena para el radioreceptor (la antena está incorporada en LUCY B).

* Pueden conectarse solamente los dispositivos que contienen el electroimán solo.

⚠ No utilice dispositivos diferentes de aquellos previstos

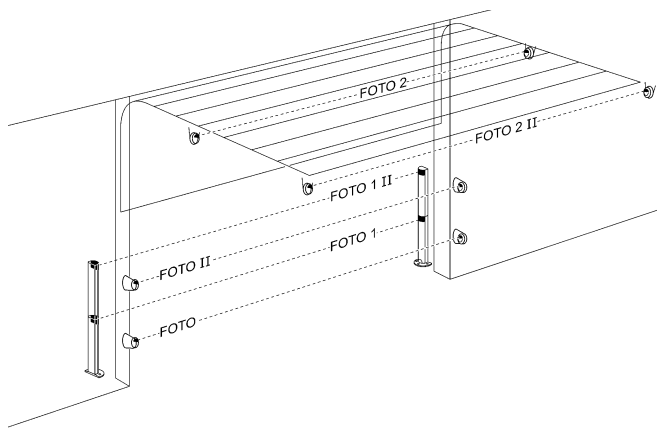
5.2) Conexión de los dispositivos bluebus

BlueBUS es un sistema que permite efectuar las conexiones de los dispositivos compatibles con dos conductores solos, por los cuales pasan la alimentación eléctrica y las señales de comunicación. Todos los dispositivos se conectan en paralelo en los mismos 2 conductores de BlueBUS y sin tener que respetar la polaridad; cada dispositivo es reconocido individualmente puesto que durante la instalación se le asigna una dirección unívoca. Al BlueBUS se le pueden conectar, por ejemplo: fotocélulas, dispositivos de seguridad, botones de mando, indicadores luminosos de señalización, etc.

La central de control del SOON reconoce uno a uno todos los dispositivos conectados por medio de una etapa de aprendizaje adecuada, y es capaz de detectar con extrema seguridad todos los desperfectos. Por dicho motivo, cada vez que se instala o desinstala un dispositivo conectado al BlueBUS, habrá que ejecutar el aprendizaje en la central, tal como descrito en el párrafo "7.1 - Memorización de los dispositivos".

5.2.1) Fotocélulas

El sistema "BlueBus" permite, mediante el direccionamiento con los puentes de conexión, el reconocimiento de las fotocélulas por parte de la central y asignar la función correcta de detección. La operación de direccionamiento se realiza tanto en el TX como en el RX (colocando los puentes de conexión de la misma manera), comprobando que no haya otros pares de fotocélulas con la misma dirección. En una automatización para puertas correderas con el SOON es posible instalar las fotocélulas según la representación de la Fig. 8. Después de instalar o desinstalar las fotocélulas, en la central habrá que ejecutar la etapa de aprendizaje tal como descrito en el párrafo "7.1 - Memorización de los dispositivos".



8

Tabla 2: direcciones de las fotocélulas

Fotocélula	Puentes de conexión	Fotocélula	Puentes de conexión
FOTO Fotocélula h = 50 con accionamiento en el cierre		FOTO 2 Fotocélula con accionamiento en la apertura	
FOTO II Fotocélula h = 100 con accionamiento en el cierre		FOTO 2 II Fotocélula con accionamiento en la apertura	
FOTO 1 Fotocélula h = 50 con accionamiento tanto en el cierre como en la apertura		FOTO 3 CONFIGURACIÓN NO ADMITIDA	
FOTO 1 II Fotocélula h = 100 con accionamiento tanto en el cierre como en la apertura			

5.2.2) Fotosensor FT210B

El fotosensor FT210B agrupa en un único dispositivo un sistema de limitación de la fuerza (tipo C según la norma EN12453) y un detector de presencia que detecta los obstáculos presentes en el eje óptico entre el transmisor TX y el receptor RX (tipo D según la norma EN12453). En el fotosensor FT210B las señales del estado de la banda sensible son enviadas mediante el rayo de la fotocélula integrando los 2 sistemas en un solo dispositivo. La parte transmisora situada en la hoja móvil es alimentada con baterías eliminando así los antiestéticos sistemas de conexión; unos circuitos especiales reducen el consumo de la batería para garantizar una duración de hasta 15 años (véanse los detalles de la evaluación en las instrucciones del producto). Un solo dispositivo FT210B, combinado con

una banda sensible (ejemplo TCB65), permite alcanzar el nivel de seguridad de la "banda sensible principal" exigido por la norma EN12453 para cualquier "tipo de utilización" y "tipo de activación". El fotosensor FT210B, combinado con bandas sensibles "resistivas" (8,2Kohm), es seguro para una avería única (categoría 3 según EN 954-1). Dispone de un circuito especial antichoque que evita interferencias con otros detectores aunque no estén sincronizados, y permite añadir otras fotocélulas; por ejemplo, si pasan vehículos veloces pesados donde normalmente se pone una segunda fotocélula a 1 m del suelo. Para más informaciones sobre los métodos de conexión y de direccionamiento, véase el manual de instrucciones de FT210B.

5.3) Conexión de los dispositivos a la entrada stop

STOP es la entrada que provoca la parada inmediata de la maniobra, seguida de una breve inversión. A esta entrada se le pueden conectar dispositivos con salida de contacto normalmente abierto "NA", normalmente cerrado "NC", dispositivos con salida con resistencia constante 8,2KΩ, o bien dispositivos ópticos, por ejemplo bandas sensibles.

Al igual que para el BlueBUS, la central reconoce el tipo de dispositivo conectado a la entrada STOP durante la etapa de aprendizaje

(véase el párrafo "7.1 - Memorización de los dispositivos"); sucesivamente, se provoca un STOP cuando se produce cualquier variación respecto del estado memorizado.

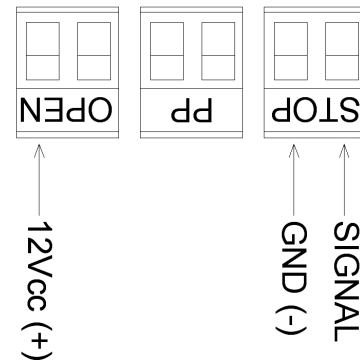
Con algunas soluciones oportunas es posible conectar varios dispositivos a la entrada STOP, incluso de diferentes tipos:

- Varios dispositivos NA pueden conectarse en paralelo entre sí sin límites de cantidad.

- Varios dispositivos NC pueden conectarse en serie entre sí sin límites de cantidad.
- Dos dispositivos con salida de resistencia constante 8,2KΩ pueden conectarse en paralelo; si hubiera más de 2 dispositivos, entonces todos deben conectarse "en cascada" con una sola resistencia de terminación de 8,2KΩ.
- La combinación NA y NC puede efectuarse colocando los 2 contactos en paralelo con la precaución de colocar, en serie al contacto NC, una resistencia de 8,2KΩ (esto permite también la combinación de 3 dispositivos: NA, NC y 8,2KΩ).

⚠ Si se utiliza la entrada STOP para conectar dispositivos con funciones de seguridad, sólo los dispositivos con salida con resistencia constante 8,2 KΩ o dispositivos ópticos OPTO SENSOR garantizan la categoría de seguridad 3 contra las averías, según la norma EN 954-1.

Para conectar un dispositivo óptico tipo OPTO SENSOR realice las conexiones indicadas en la Fig. 9:



9

5.4) Conexión de la alimentación eléctrica

Para conectar la alimentación eléctrica al SOON basta con enchufar su clavija en un tomacorriente. De ser necesario, si la clavija del SOON no corresponde al tomacorriente disponible, utilice un adaptador de esos que se encuentran generalmente en el comercio.

6) Primer encendido de la instalación - controles

⚠ Las siguientes operaciones deben efectuarse en los circuitos eléctricos bajo tensión y las maniobras podrían ser peligrosas. Por consiguiente, trabaje con mucho cuidado y nunca lo haga solo.

Concluido el montaje de los componentes y las conexiones eléctricas, antes de continuar es necesario realizar inmediatamente una comprobación sencilla del funcionamiento de la instalación. Efectúe las siguientes operaciones tildando los puntos a medida que vaya comprobando la conformidad de los resultados.

6.1) Test de funcionamiento

Ni bien se conecta la tensión al SOON se aconseja realizar algunos controles sencillos:

- Controle que el led BLUEBUS destelle regularmente con una frecuencia de un destello por segundo.
- Si estuvieran montadas las fotocélulas, controle que también destellen los leds de las fotocélulas (tanto en TX como en RX); no es importante el tipo de destello que depende de otros factores.
- Controle que el dispositivo conectado a la salida FLASH esté apagado.
- Controle que la luz de cortesía esté apagada.

Si así no fuera, se aconseja apagar inmediatamente la alimentación de la central y controlar más detenidamente las conexiones eléctricas.

7) Memorización de los dispositivos y posiciones

7.1) Memorización de los dispositivos

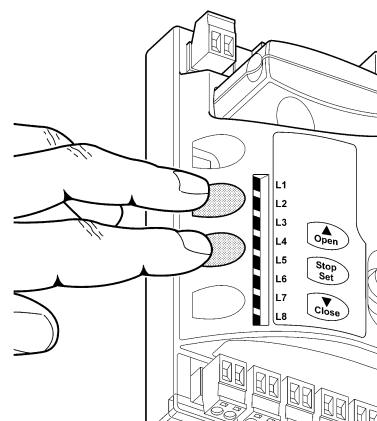
Después de concluir la conexión de la alimentación, hay que hacer que la central reconozca los dispositivos conectados a las entradas BlueBUS y STOP. Antes de esta etapa los leds L1 y L2 destellan indicando que hay que efectuar el aprendizaje de los dispositivos.

⚠ La fase de aprendizaje de los dispositivos debe ejecutarse aunque no haya ningún dispositivo conectado.

1. Pulse y mantenga pulsados los botones **[▲]** y **[Set]**.
2. Suelte los botones cuando los leds L1 y L2 comiencen a destellar muy rápidamente (después de unos 3s).
3. Espere algunos segundos a que la central concluya el aprendizaje de los dispositivos.

Al concluir el aprendizaje, el led STOP debe quedar encendido y los leds L1 y L2 se apagarán (podrían comenzar a destellar los leds L3 y L4).

La etapa de aprendizaje de los dispositivos conectados puede repetirse en cualquier momento, incluso después de la instalación (por ejemplo si se añade un dispositivo).



10

7.2) Memorización de las posiciones

Después del aprendizaje de los dispositivos es necesario que la central reconozca las posiciones de apertura y cierre de la puerta. Es posible programar hasta 6 posiciones, a saber:

Posición	Significado
A1	Cota de apertura máxima deseada. La puerta se detiene cuando llega a esta posición.
RA1	Cota de inicio de la desaceleración durante la apertura. Cuando la puerta llega a esta posición el motor desacelera funcionando a la velocidad mínima.
RINT	Cota de desaceleración intermedia durante el cierre. Programando este punto, la puerta comienza a desacelerar unos 50 cm antes, de manera de pasar la posición RINT a la velocidad mínima. Superada la cota RINT el motor funciona a la velocidad programada.
AP	Cota de apertura parcial. Es la cota en que la puerta se detiene después de haber accionado un mando de apertura parcial.
RA0	Cota de inicio de la desaceleración durante el cierre. Cuando la puerta llega a esta posición el motor desacelera funcionando a la velocidad mínima.
A0	Cota de cierre máximo. La puerta se detiene cuando llega a esta posición.

Cuando las cotas no han sido adquiridas, los leds L3 y L4 destellan.

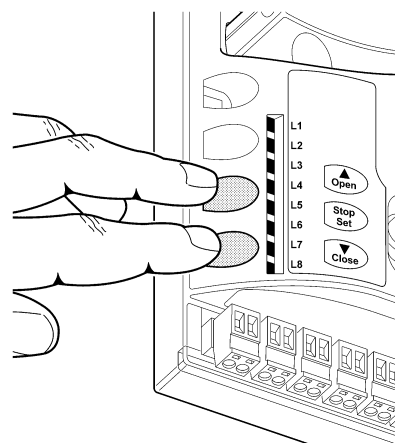
A continuación se describe el procedimiento para memorizar las posiciones. Las cotas A1 y A0 deben programarse mientras que las demás cotas pueden obviarse. En este último caso las cotas serán calculadas automáticamente por la central.

1.	Pulse [Set] + [▼] durante 3 segundos para entrar en la memorización de las cotas.
El led L1 destella: programación cota A1	
2.	Con los botones [▲] o [▼] desplace la puerta hacia la posición de apertura máxima.
3.	Pulse el botón [Set] durante 2 segundos para confirmar la cota A1. El led L1 queda encendido.
El led L2 destella: programación cota RA1	
4.	Si no se desea programar la cota de desaceleración de apertura, pulse 2 veces rápidamente el botón [Set] para pasar a la programación siguiente, el led L2 queda apagado. En caso contrario, siga con la secuencia.
5.	Con los botones [▲] o [▼] desplace la puerta hacia la posición de desaceleración apertura.
6.	Pulse el botón [Set] durante 2 segundos para confirmar la cota RA1. El led L2 queda encendido.
El led L4 destella: programación cota RINT	
7.	Si no se desea programar la cota de desaceleración intermedia, pulse 2 veces rápidamente el botón [Set] para pasar a la programación siguiente, el led L4 queda apagado. En caso contrario, siga con la secuencia.
8.	Con los botones [▲] o [▼] desplace la puerta hacia la posición de desaceleración intermedia.
9.	Pulse el botón [Set] durante 2 segundos para confirmar la cota RINT. El led L4 queda encendido.
El led L5 destella: programación cota RAP	
10.	Si no se desea programar la cota de apertura parcial, pulse 2 veces rápidamente el botón [Set] para pasar a la programación siguiente, el led L5 queda apagado. En caso contrario, siga con la secuencia.
11.	Con los botones [▲] o [▼] desplace la puerta hacia la posición de apertura parcial.
12.	Pulse el botón [Set] durante 2 segundos para confirmar la cota RAP. El led L5 queda encendido.
El led L7 destella: programación cota RA0	
13.	Si no se desea programar la cota de desaceleración de cierre, pulse 2 veces rápidamente el botón [Set] para pasar a la programación siguiente, el led L7 queda apagado. En caso contrario, siga con la secuencia.
14.	Con los botones [▲] o [▼] desplace la puerta hacia la posición de desaceleración cierre.
15.	Pulse el botón [Set] durante 2 segundos para confirmar la cota RA0. El led L7 queda encendido.
El led L8 destella: programación cota A0	
16.	Con los botones [▲] o [▼] desplace la puerta hacia la posición de cierre máximo.
17.	Pulse el botón [Set] durante 2 segundos para confirmar la cota A0. El led L8 queda encendido.
18.	Al soltar el botón [Set] se apagan todos los leds.
19.	Accione un mando de apertura pulsando el botón [Open] para ejecutar una maniobra completa de apertura.
20.	Accione un mando de cierre pulsando el botón [Close] para ejecutar una maniobra completa de cierre.

Durante dichas maniobras la central memoriza la fuerza necesaria para los movimientos de apertura y cierre.

Es importante que estas primeras maniobras no sean interrumpidas, por ej. por un mando de STOP.

La etapa de aprendizaje de las posiciones puede ejecutarse en cualquier momento, incluso después de la instalación; es suficiente repetirla a partir del punto 1. Por el contrario, si es necesario modificar una sola cota, repita la secuencia a partir del punto 1 y pase a la programación de las cotas no interesadas, pulsando 2 veces rápidamente el botón **[Set]** para cada posición que hay que saltar.



8) Efectuar el ensayo final de la instalación

8.1) Test para el ensayo final

Cada componente de la automatización, por ejemplo las bandas sensibles, fotocélulas, parada de emergencia, etc., exige un fase de ensayo específica; por dicha razón se deberán seguir los diferentes procedimientos indicados en los manuales de instrucciones respectivos.

Para el ensayo del SOON ejecute la siguiente secuencia de operaciones:

1. Controle que se respeten estrictamente las indicaciones del capítulo 1 "ADVERTENCIAS".
2. Desbloquee la puerta del motor tirando hacia abajo del tirador de desbloqueo. Controle que sea posible abrir y cerrar manualmente la puerta con una fuerza que no supere 225N.
3. Bloquee la puerta al motor tirando manualmente del tirador de bloqueo.
4. Utilizando el selector o el transmisor, efectúe los ensayos de cierre y apertura de la puerta y controle que el movimiento de la puerta sea el previsto.
5. Conviene efectuar diferentes ensayos para comprobar el deslizamiento de la puerta y los posibles defectos de montaje o de regulación, así como la presencia de puntos de fricción.

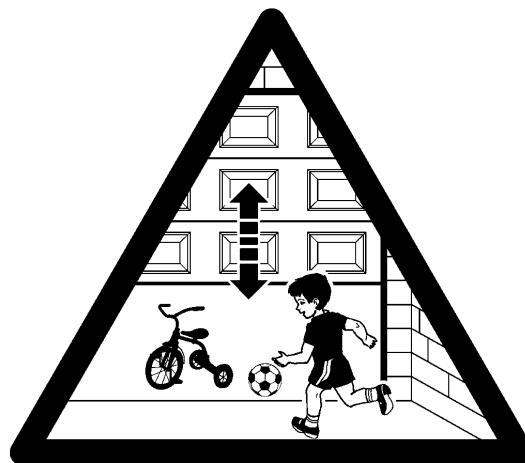
6. Controle uno por uno el funcionamiento correcto de todos los dispositivos de seguridad montados en la instalación (fotocélulas, bandas sensibles, etc.). Cada vez que un dispositivo se acciona, el led "BlueBUS" en la central destella 2 veces para confirmar que la central reconoce el evento.
7. Para controlar el funcionamiento de las fotocélulas y especialmente para que no haya interferencias con otros dispositivos, pase un cilindro de 5 cm de diámetro y 30 cm de longitud por el eje óptico, primero cerca del TX y después cerca del RX y, por último, por el centro entre los dos y controle que el dispositivo siempre se accione pasando del estado activo al estado de alarma y viceversa; por último, compruebe que provoque en la central la acción prevista, por ejemplo: que en la maniobra de cierre provoque la inversión de movimiento.
8. Si las situaciones peligrosas causadas por el movimiento de la puerta se han prevenido limitando la fuerza de impacto, hay que medir la fuerza de acuerdo con la prescripción de la norma EN 12445. Si la regulación de la "Velocidad" y el control de la "Fuerza del motor" se usan como una ayuda del sistema para reducir la fuerza de impacto, pruebe y busque la regulación que ofrezca los mejores resultados.

8.2) Puesta en servicio

La puesta en servicio puede llevarse a cabo sólo después de haber efectuado correctamente todas las etapas de ensayo del Soon y de los demás dispositivos montados. No está admitida la puesta en servicio parcial o en situaciones "precarias".

1. Realice y conserve durante al menos 10 años el expediente técnico de la automatización que deberá incluir como mínimo: dibujo de conjunto de la automatización, esquema de las conexiones eléctricas, análisis de los riesgos y soluciones adoptadas, declaración de conformidad del fabricante de todos los dispositivos utilizados (para el Soon utilice la Declaración de conformidad CE adjunta); copia del manual de instrucciones de uso y del plan de mantenimiento de la automatización.
2. Aplique sobre la puerta una placa con los siguientes datos: tipo de automatización, nombre y dirección del fabricante (responsable de la "puesta en servicio"), número de matrícula, año de fabricación y marcado "CE".
3. Aplique de manera permanente y en proximidad de la puerta una etiqueta o una placa que indique las operaciones para el desbloqueo y la maniobra manual.
4. Aplique de forma permanente sobre la puerta una etiqueta o una placa con esta imagen (altura mínima 60 mm).
5. Prepare y entregue al dueño de la automatización la declaración de conformidad correspondiente.
6. Prepare y entregue al dueño el "Manual de instrucciones y advertencias para el uso de la automatización".

7. Prepare y entregue al dueño el plan de mantenimiento de la automatización (que debe incluir todas las prescripciones sobre el mantenimiento de cada dispositivo).
8. Antes de poner en funcionamiento la automatización, informe adecuadamente y por escrito al dueño (por ejemplo en el manual de instrucciones y advertencias para el uso de la automatización) acerca de los peligros y los riesgos presentes.



9) Instrucciones para personalizar el funcionamiento de la automatización

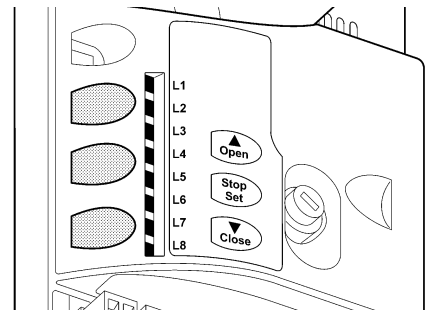
En esta SEGUNDA PARTE se describe cómo personalizar el funcionamiento de la automatización mediante regulaciones y opcionales que se han de memorizar en la memoria de la Central. Una sección final está dedicada a la solución de los problemas, al mantenimiento y al desguace del producto.

9.1) Botones de programación

En la central de control del SOON hay 3 botones que pueden utilizarse para el accionamiento de la central durante los ensayos y para las programaciones:

OPEN ▲	El botón "OPEN" permite accionar la apertura de la puerta, o bien desplazar hacia arriba el punto de programación.
STOP SET	El botón "STOP" permite detener la maniobra; al pulsarlo durante más de 5 segundos, permite entrar en programación.
CLOSE ▼	El botón "CLOSE" permite accionar el cierre de la puerta o desplazar hacia abajo el punto de programación.

12



10) Programaciones

En la central de control del SOON hay disponibles algunas funciones programables; las funciones se regulan con los 3 botones situados en la central: **[▲] [Set] [▼]** y se visualizan a través de los 8 leds: **L1...L8**.

Las funciones programables disponibles en SOON están dispuestas en 2 niveles:

Primer nivel: funciones regulables en modo ON-OFF (activo o desactivado); en este caso, cada led **L1...L8** indica una función; si está encendido, la función está activa, si está apagado, la función está desactivada; véase la Tab. 3.

Segundo nivel: parámetros regulables en una escala de valores (valores de 1 a 8); en este caso cada led **L1...L8** indica el valor regulado entre los 8 valores posibles; véase la Tab. 4.

10.1) Funciones de primer nivel

Tabla 3: lista de las funciones programables: primer nivel

Led	Función	Descripción
L1	Cierre automático	Esta función permite un cierre automático de la puerta después del tiempo de pausa programado, el Tiempo Pausa está configurado de fábrica en 30 segundos, pero puede modificarse en 10, 20, 40, 60, 80, 120, 160 y 200 segundos. Si la función está desactivada, el funcionamiento es "semiautomático".
L2	Cerrar después de Fococélula	Esta función permite tener la puerta abierta solo durante el tiempo necesario para el tránsito, en efecto, la activación de "Foto" provoca siempre un cierre automático con un tiempo de pausa de (independientemente del valor programado) El comportamiento cambia según si se activa o no la función de "Cierre Automático". Con "Cierre automático" desactivado: la puerta siempre alcanza la posición de apertura total (aunque si la Fococélula queda descubierta antes). Al quedar descubierta la fotocélula se provoca el cierre automático con una pausa 5s. Con "Cierre Automático" activo: la maniobra de apertura se detiene inmediatamente después de que las fotocélulas quedan descubiertas y comenzará la maniobra de cierre automático con una pausa de 5s. La función "Cerrar después de Fococélula" siempre se deshabilita en las maniobras interrumpidas por un mando de Stop. Si la función "Cerrar después de fotocélula" no está activa el tiempo de pausa será aquel programado, o no se producirá el cierre automático si la función no está activa.
L3	Cerrar Siempre	La función "Cerrar Siempre" se activa provocando un cierre cuando al volver la alimentación se detecta que la puerta está abierta. Por motivos de seguridad, la maniobra es antecedida de 3s de destello previo. Si la función está desactivada, al volver la alimentación la puerta quedará detenida.
L4	Stand-By	Esta función permite reducir al mínimo los consumos. Si esta función está activa, después de 1 minuto del final de la maniobra la central apaga la salida BlueBUS (y después los dispositivos) y todos los leds, salvo el led BlueBUS que destellará más lentamente. Cuando la central recibe un mando, restablece el funcionamiento. Si la función está desactivada, los consumos no disminuirán.
L5	Inversión larga	Esta función permite seleccionar el tipo de inversión que la puerta debe ejecutar por la activación de STOP o del limitador de fuerza. Si la función está desactivada, la inversión es breve (15 cm aprox.). Si la función está activa, la inversión se produce hasta la cota de apertura o de cierre máximo.
L6	Destello previo	Con la función de destello previo se añade una pausa de 3s entre el encendido de la luz intermitente y el inicio de la maniobra para advertir anticipadamente sobre la situación de peligro. Si el destello previo está desactivado, el encendido de la luz intermitente coincide con el comienzo de la maniobra.
L7	Sensibilidad	Esta función permite aumentar notablemente la sensibilidad del motor para la detección de obstáculos. Si se utiliza como ayuda para la medición de la fuerza de impacto, regule también los parámetros "Velocidad" y "Fuerza motor" en el menú del segundo nivel.
L8	Compensación	Esta función permite compensar el alargamiento de los cables metálicos de la puerta y depende del uso de una banda sensible resistiva 8,2KΩ u óptica OSE.

Durante el funcionamiento normal del SOON, cuando no se está ejecutando ninguna maniobra, los leds **L1...L8** están encendidos o apagados según el estado de la función que estos representan, por ejemplo **L1** está encendido si la función "Cierre automático" está activa.

10.2) Programaciones de primer nivel

Todas las funciones de primer nivel están configuradas de fábrica en "OFF" pero pueden cambiarse en cualquier momento como descrito a continuación. Tenga cuidado cuando efectúe la operación porque hay un tiempo máximo de 10s entre la presión de un botón y otro; en caso contrario el procedimiento se concluye automáticamente, memorizando las modificaciones hechas hasta ese momento.

1. Pulse y mantenga pulsado el botón **[Set]** durante unos 3s
2. Suelte el botón **[Set]** cuando el led L1 comienza a destellar
3. Pulse los botones **[▲]** o **[▼]** para pasar del led intermitente al led que representa la función a modificar
4. Pulse el botón **[Set]** para cambiar el estado de la función (destello breve = OFF; destello prolongado = ON)

Espere 10s para salir de la programación por conclusión del tiempo máximo.

Nota: los puntos 3 y 4 pueden repetirse durante la misma etapa de programación para colocar en ON u OFF las demás funciones.

10.3) Funciones de segundo nivel (parámetros regulables)

Tabla 4: lista de las funciones programables: segundo nivel

Led de entrada	Parámetro	Led (nivel)	Valor	Descripción
L1	Tiempo de pausa	L1	10 segundos	Regula el tiempo de pausa, es decir el tiempo antes del cierre automático. Es válido sólo si el cierre automático está activo.
		L2	20 segundos	
		L3	40 segundos	
		L4	60 segundos	
		L5	80 segundos	
		L6	120 segundos	
		L7	160 segundos	
		L8	200 segundos	
L2	Función P.P.	L1	Abrir - stop - cerrar - stop	Regula la secuencia de mandos asociados a la entrada PP o al 1º mando radio.
		L2	Abrir - stop - cerrar - abrir	
		L3	Abrir - cerrar - abrir - cerrar	
		L4	Comunitario	
		L5	Comunitario 2 (más de 2" se detiene)	
		L6	Paso a Paso 2 (menos de 2" provoca apertura parcial)	
		L7	Hombre presente	
		L8	Apertura modo "semiautomático", cierre modo "hombre presente"	
L3	Velocidad del motor	L1	Velocidad 1 (30% - lenta)	Regula la secuencia de mandos asociados a la entrada PP o al 1º mando radio.
		L2	Velocidad 2 (44%)	
		L3	Velocidad 3 (58%)	
		L4	Velocidad 4 (72%)	
		L5	Velocidad 5 (86%)	
		L6	Velocidad 6 (100% - rápida)	
		L7	Abrir V4, cerrar V2	
		L8	Abrir V6, cerrar V4	
L4	Salida FLASH	L1	Indicador Puerta Abierta	Selecciona el dispositivo conectado a la salida FLASH.
		L2	Activa si la puerta está cerrada	
		L3	Activa si la puerta está abierta	
		L4	Luz intermitente	
		L5	Electrobloqueo	
		L6	Electrocerradura	
		L7	Ventosa	
		L8	Indicador de mantenimiento	
L5	Fuerza del motor en la apertura	L1	Fuerza 1 (baja)	Regula el sistema de control de la fuerza del motor para adecuarlo al peso de la puerta durante la maniobra de apertura.
		L2	Fuerza 2	
		L3	Fuerza 3	
		L4	Fuerza 4	
		L5	Fuerza 5	
		L6	Fuerza 6	
		L7	Fuerza 7	
		L8	Fuerza 8 (alta)	
L6	Fuerza del motor en el cierre	L1	Fuerza 1 (baja)	Regula el sistema de control de la fuerza del motor para adecuarlo al peso de la puerta durante la maniobra de cierre.
		L2	Fuerza 2	
		L3	Fuerza 3	
		L4	Fuerza 4	
		L5	Fuerza 5	
		L6	Fuerza 6	
		L7	Fuerza 7	
		L8	Fuerza 8 (alta)	

Nota: "■" representa la regulación de fábrica

SEGUE

Led de entrada	Parámetro	Led (nivel)	Valor	Descripción
L7	Aviso de mantenimiento	L1	Automático (según el esfuerzo de las maniobras)	Regula el número de maniobras, superado el cual, señala la necesidad de mantenimiento de la automatización (véase el párrafo "13 Aviso de Mantenimiento").
		L2	1.000	
		L3	2.000	
		L4	4.000	
		L5	6.000	
		L6	8.000	
		L7	10.000	
		L8	12.000	
L8	Listado de desperfectos	L1	Resultado 1ª maniobra (la más reciente)	Permite comprobar el tipo de desperfecto que se produjo en las 8 últimas maniobras (véase el párrafo "14 Historial desperfectos").
		L2	Resultado 2ª maniobra	
		L3	Resultado 3ª maniobra	
		L4	Resultado 4ª maniobra	
		L5	Resultado 5ª maniobra	
		L6	Resultado 6ª maniobra	
		L7	Resultado 7ª maniobra	
		L8	Resultado 8ª maniobra	

Nota: "■" representa la regulación de fábrica

Todos los parámetros pueden regularse a placer sin ninguna contraindicación; sólo las regulaciones de la "Fuerza del motor en la apertura" y la "Fuerza del motor en el cierre" podrían requerir ciertas precauciones:

- Se desaconseja utilizar valores de fuerza elevados para compensar el hecho de que la puerta tiene puntos de fricción anormales; una fuerza excesiva puede perjudicar el funcionamiento del sistema de seguridad o averiar la hoja.
- Si el control de la "Fuerza motor" se usa como ayuda del sistema para reducir la fuerza de impacto, después de cada regulación, repita la medición de la fuerza tal como previsto por la norma EN 12445.
- El desgaste y las condiciones atmosféricas influyen sobre el movimiento de la puerta; por dicho motivo es necesario controlar periódicamente la regulación de la fuerza.

10.4) Programaciones de segundo nivel

Los parámetros regulables están configurados de fábrica como se muestra en la Tab. 4 con: "■" pero se pueden cambiar en cualquier momento, tal como descrito a continuación. Tenga cuidado cuando efectúe la operación porque hay un tiempo máximo de 10s entre la presión de un botón y otro; en caso contrario el procedimiento se concluye automáticamente, memorizando las modificaciones hechas hasta ese momento.

1. Pulse y mantenga pulsado el botón **[Set]** durante unos 3s
2. Suelte el botón **[Set]** cuando el led L1 comienza a destellar
3. Pulse los botones **[▲]** o **[▼]** para pasar del led intermitente al "led de entrada" que representa el parámetro a modificar
4. Pulse y mantenga pulsado el botón **[Set]**, mantenga pulsado el botón **[Set]** durante los pasos 5 y 6
5. Espere unos 3s, después se encenderá el led que representa el nivel actual del parámetro a modificar
6. Pulse los botones **[▲]** o **[▼]** para desplazar el led que representa el valor del parámetro.
7. Suelte el botón **[Set]**

Espere 10s para salir de la programación por conclusión del tiempo máximo.

Nota: los puntos de 3 a 7 pueden repetirse durante la misma etapa de programación para regular varios parámetros

11) Aviso de mantenimiento

El SOON permite avisar al usuario cuándo efectuar un control de mantenimiento de la automatización. El número de maniobras que deben ejecutarse antes de la señalización puede seleccionarse entre 8 niveles, mediante el parámetro regulable "Aviso de mantenimiento" (véase la Tab. 4).

El nivel 1 de regulación es "automático" y tiene en cuenta la dificultad de las maniobras, es decir el esfuerzo y la duración de la maniobra, mientras que las demás regulaciones están fijadas según la can-

tidad de las maniobras. La señal de aviso de mantenimiento es indicada por la luz intermitente o por el Indicador luminoso de mantenimiento según la programación (véase la Tab. 4).

Según el número de maniobras efectuadas respecto del límite programado, la luz intermitente Flash y el indicador luminoso de mantenimiento dan las señales indicadas en la Tab. 5.

Tabla 5: aviso de mantenimiento con Flash e indicador luminoso mantenimiento

Cantidad de maniobras	Señal en Flash	Señal en indicador de mantenimiento
Inferior al 80% del límite	Normal (0,5s encendido, 0,5s apagado)	Encendida durante 2s al comenzar la apertura
Entre el 81 y el 100% del límite	Al comenzar la maniobra queda encendido durante 2s después prosigue normalmente	Destella durante toda la maniobra
Superior al 100% del límite	Al comenzar y al final de la maniobra queda encendido durante 2s después prosigue normalmente	Destella siempre.

11.1) Control del número de maniobras efectuadas

Con la función de "Aviso de mantenimiento" es posible controlar las maniobras efectuadas en porcentaje sobre el límite configurado. Para dicho control, proceda como descrito a continuación.

1. Pulse y mantenga pulsado el botón **[Set]** durante unos 3s
2. Suelte el botón **[Set]** cuando el led L1 comienza a destellar
3. Pulse los botones **[▲]** o **[▼]** para desplazar el led intermitente al L7, es decir el "led de entrada" para el parámetro "Aviso de mantenimiento".
4. Pulse y mantenga pulsado el botón **[Set]**, mantenga pulsado el botón **[Set]** durante los pasos 5, 6 y 7
5. Espere unos 3s, posteriormente se encenderá el led que representa el nivel actual del parámetro "Aviso de mantenimiento".
6. Pulse y suelte de inmediato los botones **[▲]** y **[▼]**.
7. El led correspondiente al nivel seleccionado destellará algunas veces. La cantidad de destellos identifica el porcentaje de maniobras efectuadas (en múltiplos de 10%) respecto del límite configurado. Por ejemplo: configurando el aviso de mantenimiento en L7 es decir 10000, el 10% corresponde a 1000 maniobras; si el led de visualización destella 4 veces significa que se ha alcanzado el 40% de las maniobras (es decir entre 4000 y 4999 maniobras). Si no se alcanzó el 10% de las maniobras, el led no destellará.
8. Suelte el botón **[Set]**.

11.2) Puesta a cero del contador de maniobras

Después de haber hecho el mantenimiento de la instalación, es necesario poner a cero el contador de las maniobras. Proceda como descrito.

1. Pulse y mantenga pulsado el botón **[Set]** durante unos 3s
2. Suelte el botón **[Set]** cuando el led L1 comienza a destellar
3. Pulse los botones **[▲]** o **[▼]** para desplazar el led intermitente al L7, es decir el "led de entrada" para el parámetro "Aviso de mantenimiento".
4. Pulse y mantenga pulsado el botón **[Set]**, mantenga pulsado el botón **[Set]** durante los pasos 5 y 6
5. Espere unos 3s, posteriormente se encenderá el led que representa el nivel actual del parámetro "Aviso de mantenimiento".
6. Pulse y mantenga pulsados durante unos 5 segundos como mínimo los botones **[▲]** y **[▼]**, después suelte los 2 botones. El led correspondiente al nivel seleccionado ejecutará una serie de destellos rápidos para señalar que el contador de las maniobras fue puesto a cero.
14. Suelte el botón **[Set]**.

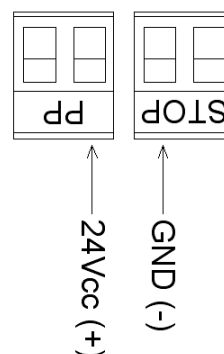
12) Listado del historial de los desperfectos

El SOON permite visualizar los desperfectos que se hayan producido en las últimas 8 maniobras, por ejemplo la interrupción de una maniobra por la activación de una fotocélula o de una banda sensible. Para comprobar el listado de los desperfectos, proceda como indicado a continuación.

1. Pulse y mantenga pulsado el botón **[Set]** durante unos 3s
2. Suelte el botón **[Set]** cuando el led L1 comienza a destellar
3. Pulse los botones **[▲]** o **[▼]** para desplazar el led intermitente al L8, es decir el "led de entrada" para el parámetro "Listado desperfectos"
4. Pulse y mantenga pulsado el botón **[Set]**, mantenga pulsado el botón **[Set]** durante los pasos 5 y 6
5. Espere unos 3s, se encenderán los leds correspondientes a las maniobras que han tenido algún desperfecto. El led indica el resultado de la maniobra más reciente, el led L8 indica el resultado de la octava maniobra. Si el led está encendido significa que durante la maniobra se han producido desperfectos; si el led está apagado significa que la maniobra se ha concluido sin problemas.
6. Pulse los botones **[▲]** y **[▼]** para seleccionar la maniobra deseada: el led correspondiente destellará la misma cantidad de veces que la luz intermitente después de un desperfecto.
7. Suelte el botón **[Set]**.

13) Conexión de otros dispositivos

Si hubiera que alimentar algún dispositivo exterior, por ejemplo un lector de proximidad para tarjetas por transponder o bien la luz de iluminación del selector de llave, es posible tomar la alimentación tal como indicado en la figura 12. La tensión de alimentación es 24Vcc -30% ÷ +50% con corriente máxima disponible de 100mA.



14) Otras informaciones: funciones especiales

14.1) Función "abrir siempre"

La función "Abrir siempre" es una característica de la central de control que permite accionar siempre una maniobra de apertura cuando el mando de "Paso a Paso" dura más de 2 segundos; esto es útil por ejemplo para conectar al borne PP el contacto de un reloj programador para mantener abierta la puerta durante una cierta franja horaria. Dicha característica es válida cualquiera sea la programación de la entrada de PP salvo la programación como "Comunitaria 2", véase el parámetro "Función PP" en la Tab. 4.

14.2) Función "mover igualmente"

Si alguno de los dispositivos de seguridad no funcionara correctamente o estuviera fuera de uso, es posible igualmente accionar y mover la puerta en modalidad "Hombre presente". Para más detalles, véase el párrafo "Accionamiento con dispositivos de seguridad fuera de uso" presente en el anexo "Instrucciones y advertencias destinadas al usuario del motorreductor SOON".

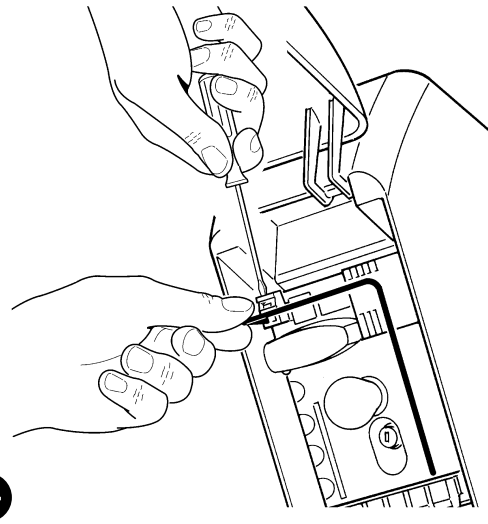
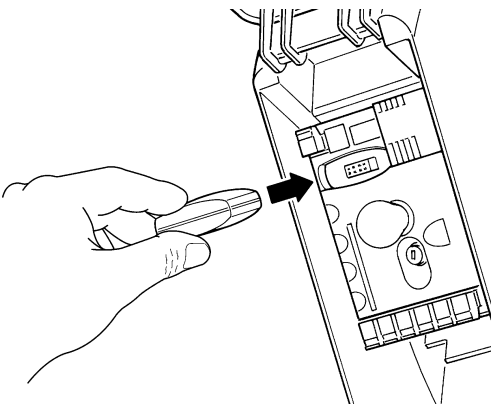
15) Funcionamiento de la automatización mediante transmisor y receptor "SM"

La Central incorpora un conector dedicado a la instalación de un Receptor con enganche tipo "SM" (Fig. 13) para accionar la automatización con un Transmisor (el receptor y el transmisor son accesorios opcionales). Las cuatro Salidas del Receptor permiten accionar en la Central los siguientes mandos:

Tabla 6: mandos con transmisor SMXI, SMXIS

Salida N°1	Mando "P.P." (Paso a Paso)
Salida N°2	Mando "Apertura parcial"
Salida N°3	Mando "Abrir"
Salida N°4	Mando "Cerrar"

Si no se utiliza la antena incorporada en LUCYB u otro tipo de antena exterior, enrosque el cable rígido entregado con el receptor en el borne de la antena (Fig. 14).



16) Control y diagnóstico automático de los desperfectos de funcionamiento

Durante el funcionamiento regular, la Central mantiene constantemente bajo control los procesos de la automatización y señala posibles desperfectos mediante secuencias predeterminadas de destellos de la luz intermitente, luz de cortesía y "Led BlueBUS" (los destellos de diagnósticos se refieren siempre a la última acción realizada por el Soon). Para saber la correspondencia entre el número de destellos y las causas, consulte la siguiente tabla:

Tabla 7: destellos de diagnóstico

n° dest.	causa
1	Error sincronización BlueBUS
2	Activación de Foto o error del Fototest
3	Fuerza del motorreductor insuficiente o detectado un obstáculo durante la carrera
4	Activación de los dispositivos de Stop
5	Error en los parámetros de la memoria
6	Activación del limitador de las maniobras interno
7	Falta de corriente en los circuitos del motor
8	Sobrecorriente en los circuitos del motor

17) Qué hacer si... (Guía para resolver los problemas)

Esta es una pequeña guía para resolver los problemas más comunes que se pueden presentar durante la instalación y la programación de la automatización.

- **...no se acciona ninguna maniobra y el led "BlueBUS" no destella**

- Controle que el Soon esté alimentado con la tensión de red de 230V. Controle que los fusibles F1 y F2 (Fig. 15) no estén quemados; si así fuera, controle la causa de la avería y sustitúyalos con otros con el mismo valor de corriente y características.

- **...no se acciona ninguna maniobra y la luz intermitente está apagada**

- Controle que el mando sea recibido efectivamente. Si el mando llega a la entrada PP, el led "PP" debe encenderse; por el contrario, si se utiliza el transmisor, el led "BlueBUS" debe emitir dos destellos rápidos.

- **...la maniobra no arranca y la luz de cortesía destella algunas veces**

Cuente la cantidad de destellos y controle según lo indicado en la Tab. 7.

- **...durante la maniobra se produce una breve inversión**

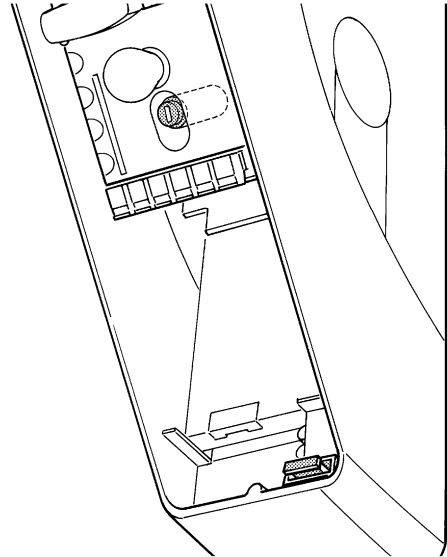
- La fuerza seleccionada podría ser muy baja para mover la puerta. Controle que no haya obstáculos y, de ser necesario, seleccione una fuerza mayor.
- Controle si se ha desconectado algún dispositivo de seguridad conectado a la entrada de Stop.

- **...la maniobra se ejecuta pero el dispositivo conectado a la salida FLASH no funciona**

- Controle que el dispositivo conectado a la salida "FLASH" esté programado efectivamente.
- Controle que cuando el dispositivo deba ser alimentado, haya tensión en el borne del dispositivo; si hubiera tensión, el problema es el dispositivo que habrá que sustituir con uno con las mismas características. Si no hay tensión significa que hay una sobrecorriente eléctrica en la salida. Controle que no haya un cortocircuito en el cable.

- **...durante la memorización de las cotas, el led L1 o el led L8 destellan rápidamente**

- Significa que se ha alcanzado la cota de sobrerrecorrido alto (L1 destella rápidamente) o bajo (L8 destella rápidamente).
- Si el led L1 destella, ejecute una maniobra de cierre hasta que L1 deje de destellar rápidamente. Posteriormente desinstale el Soon del eje portamuelles, abra la puerta en la posición máxima y reinstale el Soon en esta posición.
- Si el led L8 destella, realice una maniobra de apertura hasta que el led L8 deje de destellar rápidamente. Posteriormente desinstale el Soon del eje portamuelles, cierre la puerta en la posición máxima y reinstale el Soon en esta posición.



15

18) Desguace

Al igual que para las operaciones de instalación, también al final de la vida útil de este producto, las operaciones de desguace deben ser efectuadas por Personal Técnico cualificado.

Este producto está formado de varios tipos de materiales: algunos pueden reciclarse y otros deben eliminarse. Infórmese sobre los sistemas de reciclaje o eliminación previstos por las normas locales vigentes para esta categoría de producto.

⚠ Algunas partes del producto pueden contener sustancias contaminantes o peligrosas; si se abandonarán en el medio ambiente podrían ser perjudiciales para el ambiente y para la salud de las personas.

Como indicado por el símbolo de la Fig. 16, está prohibido arrojar este producto en los residuos domésticos. Para la eliminación, realice la recogida selectiva, según los métodos previstos por las normas locales vigentes, o bien entregue el producto al vendedor cuando compre un nuevo producto equivalente.

⚠ Las normas locales pueden prever sanciones importantes en el caso de eliminación abusiva de este producto.



16

Soon

Spis treści pag.

Zalecenia dotyczące instalacji i uruchomienia automatyki		83
1	Praca w bezpiecznych warunkach	83
1.1	Środki ostrożności i ostrzeżenia dotyczące bezpieczeństwa	83
2	Zapoznanie się z charakterystyką produktu	83
2.1	Opis i przeznaczenie produktu, dane techniczne	83
3	Ocena możliwości wykonania instalacji	84
3.1	Sprawdzenie elementów produktu	84
3.2	Sprawdzenie otoczenia	84
3.3	Sprawdzenie ograniczeń eksploatacyjnych produktu	84
4	Montaż poszczególnych elementów	84
4.1	Typowy schemat instalacji	84
4.2	Montaż elementów mechanicznych	85
4.3	Ułożenie przewodów elektrycznych	86
4.4	Ręczne wysprężanie i zasprężanie	86
5	Wykonanie podłączeń elektrycznych	86
5.1	Podłączenie wszystkich urządzeń	86
5.2	Podłączenie urządzeń BlueBUS	88
5.2.1	Fotokomórki	88
5.2.2	FotoczuJNIK FT210B	88
5.3	Podłączenie urządzeń do wejścia STOP	88
5.4	Podłączenie zasilania	89
6	Pierwsze uruchomienie instalacji - testy	89
6.1	Testy prawidłowego działania	89
7	Rozpoznawanie urządzeń i pozycji	89
7.1	Rozpoznawanie dołączonych urządzeń	89
7.2	Rozpoznawanie pozycji	90
8	Końcowy odbiór techniczny instalacji	91
8.1	Testy podczas końcowego odbioru technicznego	91
8.2	Oddanie do eksploatacji	91

Wstęp

Niniejsza instrukcja przedstawia sposoby montażu, programowania i użytkowania siłownika SOON do bram segmentowych. Poszczególne tematy zostały podzielone na trzy części:

Część Pierwsza to instrukcja, ilustrująca krok po kroku etapy "rzeczywistego" montażu produktu oraz jego uruchomienia

Część Druga opisuje możliwość personalizacji działania siłownika SOON, poprzez zaprogramowanie funkcji specjalnych, wybór opcji oraz specjalne regulacje. W części tej została omówiona także konserwacja i późniejsza użycia produktu.

9	Zalecenia dotyczące personalizacji działania automatyki	92
9.1	Przyciski programujące	92
10	Programowanie	92
10.1	Funkcje pierwszego poziomu	92
10.2	Programowanie funkcji pierwszego poziomu	93
10.3	Funkcje drugiego poziomu	93
10.4	Programowanie funkcji drugiego poziomu	94
11	Przypomnienie o konserwacji	94
11.1	Kontrola ilości przeprowadzonych manewrów	95
11.2	Zerowanie licznika manewrów	95
12	Historia anomalii	95
13	Podłączenie pozostałych urządzeń	95
14	Informacje dodatkowe: funkcje specjalne	96
14.1	Funkcja "Zawsze otwórz"	96
14.2	Funkcja "Wykonaj manewr mimo wszystko"	96
15	Działanie automatyki przy użyciu nadajnika i radioodbiornika typu "SM"	96
16	Automatyczna kontrola i diagnostyka nieprawidłowego działania	96
17	Co robić gdy... (Poradnik - rozwiązywanie problemów)	97
18	Utylizacja	97

⚠ Część Pierwsza i Druga instrukcji są skierowane wyłącznie do wykwalifikowanego Personelu Technicznego instalującego. Żadna z zawartych tam informacji nie jest przeznaczona dla końcowego Użytkownika produktu.

Zalecenia dotyczące instalacji i uruchomienia automatyki

Część Pierwsza opisuje krok po kroku wszystkie etapy montażu automatyki (montaż mechaniczny, podłączenia elektryczne, odbiór techniczny) oraz pierwszego uruchomienia (ustawienia).

Etapy te są poprzedzone przez bardzo ważne informacje dotyczące bezpieczeństwa, właściwości produktu i wykonalności instalacji.

1) Praca w bezpiecznych warunkach

1.1) Środki ostrożności i ostrzeżenia dotyczące bezpieczeństwa

⚠ Czynności związane z montażem, programowaniem i uruchomieniem produktu mogą być wykonane wyłącznie przez wykwalifikowany personel techniczny, zgodnie z obowiązującymi przepisami i normami oraz zaleceniami zawartymi w niniejszej instrukcji. Instrukcja została przygotowana tak, by poprowadzić instalatora krok po kroku podczas montażu, programowania i uruchomienia siłownika SOON. Wszystkie czynności, które należy wykonać oraz związane z nimi zalecenia zostały przedstawione w kolejności wykonania poszczególnych etapów pracy.

Ważne jest zatem, aby przed przystąpieniem do montażu zapoznać się z wszystkimi rozdziałami instrukcji. Zwracamy szczególną uwagę, na przeczytanie z dużą uwagą rozdziałów, które zawierają podstawowe informacje odnośnie BEZPIECZEŃSTWA, takie jak Rozdział 1, Rozdział 3 - SPRAWDZENIA PRZED MONTAŻEM I OGRANICZENIA EKSPLOATACYJNE oraz Rozdział 8 - ODBIÓR TECHNICZNY I ODDANIE DO EKSPLOATACJI. W związku z możliwością wystąpienia zagrożeń - zarówno podczas montażu, jak i codziennego użytkowania produktu - montaż musi zostać przeprowadzony według Dyrektywy europejskiej nr 98/37/WE (Dyrektywa Maszynowa, określająca wykonanie drzwi lub bram automatycznych), a w szczególności musi odpowiadać normom EN 12445, EN 12453 i EN 12635.

Przestrzeganie postanowień Dyrektywy umożliwi Ci wykonanie pracy w maksymalnie bezpiecznych warunkach, pozwalając jednocześnie na wydanie na zakończenie oświadczenia o zgodności, a co za tym idzie, o bezpieczeństwie instalacji.

Pamiętaj: Dodatkowe informacje i wytyczne dotyczące analizy ryzyka, które mogłyby okazać się przydane podczas wykonania "Dokumentacji Technicznej" są dostępne na stronie internetowej www.niceforyou.com.

- Zabrania się stosowania siłownika SOON w celach innych od wskazanych w niniejszej instrukcji. Niewłaściwe użycie może doprowadzić do uszkodzenia produktu i spowodować zagrożenie dla osób i rzeczy.
- Zabrania się wprowadzania modyfikacji w jakimkolwiek elemencie produktu, o ile nie są to zmiany opisane w niniejszej instrukcji. Niedozwolone działania mogą doprowadzić do nieprawidłowego funkcjonowania produktu. Firma Nice® nie bierze odpowiedzialności za szkody spowodowane przez produkt zmodyfikowany na własną rękę.
- Przed rozpoczęciem montażu, musisz przeprowadzić analizę ryzyka, zawierającą wykaz podstawowych wymogów bezpieczeństwa przewidzianych w załączniku 1 do Dyrektywy Maszynowej, wskazując zarazem wdrożone środki zapobiegawcze. Przypominamy, że "analiza ryzyka" to jeden z dokumentów składających się na "Dokumentację Techniczną" automatyki.
- Przed rozpoczęciem montażu powinieneś także sprawdzić czy istnieje potrzeba montażu dodatkowych urządzeń i materiałów, które

mogłyby uzupełnić automatykę opartą na siłowniku SOON. Oceń konkretną sytuację zastosowania i istniejące zagrożenia, weź pod uwagę na przykład ryzyko uderzenia, przygniecenia, przecięcia, wciągnięcia i inne podobne zagrożenia.

- Podłącz Centralę sterującą siłownika SOON do linii zasilania wyposażonej w uziemienie zabezpieczające.
- Podczas montażu unikaj zetknięcia elementów automatyki z wodą lub innymi płynami. Upewnij się również, że do wnętrza centrali i innych otwartych urządzeń nie przedostaną się ani płyny, ani objekty stałe. Gdyby jednak do tego doszło, odłącz natychmiast zasilanie elektryczne i skontaktuj się z Serwisem Nice®.

⚠ Użytkowanie siłownika SOON w takiej sytuacji może stanowić źródło zagrożenia!

- Nie trzymaj elementów siłownika SOON blisko źródeł ciepła i płomieni. Mogłoby to doprowadzić do zniszczenia elementów instalacji, spowodować nieprawidłowe działanie, pożar lub inne groźne sytuacje.
- Podczas montażu wszystkie czynności, które wymagają dostępu do części wewnętrznych, znajdujących się pod pokrywą siłownika SOON (np. do zacisków) muszą być wykonane przy odłączonym zasilaniu. Jeśli podłączenie zasilania zostało już wykonane, a urządzenie odcinające zasilanie znajduje się poza zasięgiem Twojego wzroku, przywieś na nim karteczkę "UWAGA KONSERWACJA W TOKU".
- Jeśli podczas montażu zadziałają systemy ochrony elektrycznej takie jak automatyczne wyłączniki lub bezpieczniki, zanim przywrócisz je do normalnego stanu, znajdź i wyeliminuj uszkodzenie, które wywołało ich interwencję.
- Po zakończeniu montażu, automatyka może być użytkowana tylko po wcześniejszym przeprowadzeniu "oddania do eksploatacji", zgodnie ze wskazaniami zawartymi w Rozdziale 8 - ODBIÓR TECHNICZNY I ODDANIE DO EKSPLOATACJI.
- W przypadku wystąpienia długich okresów przestoju w użytkowaniu siłownika SOON, zaleca się wyjąć akumulator awaryjny i przechowywać go w suchym miejscu. Dzięki temu unika się ryzyka uszkodzenia akumulatora i wyciekania z niego substancji szkodliwych.
- W przypadku gdy informacje zawarte w niniejszej instrukcji okażą się niewystarczające do przywrócenia prawidłowego działania, skontaktuj się z serwisem technicznym firmy Nice®.
- Opakowanie produktu Soon musi zostać zutilizowane zgodnie z obowiązującymi przepisami lokalnymi.
- Zaleca się zachowanie niniejszej instrukcji dla ułatwienia przyszłej konserwacji i ewentualnych interwencji na produkcie.

2) Zapoznanie się z charakterystyką produktu

2.1) Opis i przeznaczenie produktu, dane techniczne

SOON to elektromechaniczny siłownik do automatyzacji bram segmentowych o powierzchni do 20m².

Centrala SOA2, poza dostarczaniem do silnika prądu stałego, pozwala na idealne wyregulowanie momentu obrotowego i prędkości siłownika, dokładne odczytanie pozycji, stopniowe rozpoczęcie manewru otwarcia i zamknięcia, wykrywanie przeszkód. Ponadto centrala jest

wyposażona w diodę "konserwacji", która pozwala na rejestrowanie manewrów wykonywanych przez siłownik podczas całego okresu eksploatacji.

Ręczne wysprzęglenie odłącza silnik od przekładni, przy użyciu linek dostępnych przez użytkownika.

PL

3) Ocena możliwości wykonania instalacji

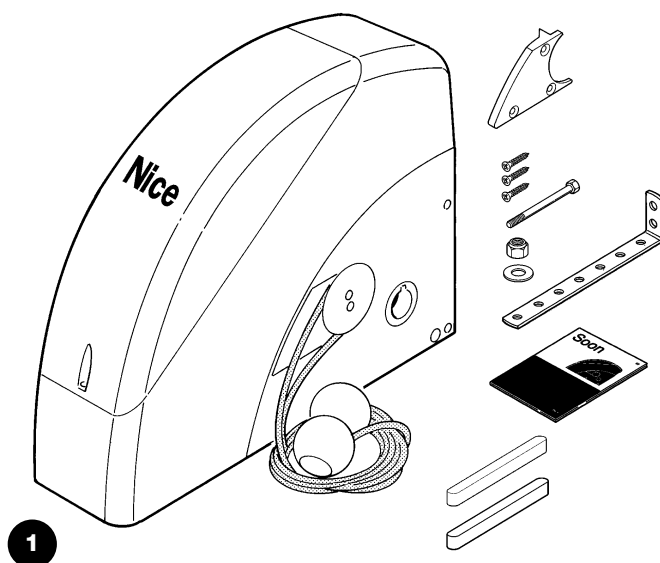
Przed przystąpieniem do montażu, upewnij się czy elementy produktu są nienaruszone, czy wybrano odpowiedni model oraz czy nadaje się on do montażu w danym otoczeniu.

3.1) sprawdzenie elementów produktu (Rys.1)

Sprawdź czy opakowanie jest nienaruszone;

odpakuj produkt i sprawdź czy zawiera on:

- siłownik SOON
- uchwyt mocujący
- 4 elementy gałek odblokowujących
- 2 wpusty
- 1 śruba M8x130
- 1 nakrętka samoblokująca M8
- 1 podkładka D8
- 1 prowadnica
- 3 śruby samogwintujące czarne
- 1 instrukcja obsługi



3.2) Sprawdzenie otoczenia

- Upewnij się czy otoczenie, w którym ma zostać zamontowany siłownik odpowiada pełnym wymiarom siłownika SOON (Rys. 2).
- Upewnij się czy na torze ruchu bramy segmentowej nie występują przeszkody, które mogłyby ograniczyć wykonanie pełnego manewru otwarcia i zamknięcia.
- Upewnij się czy w miejscu, w którym ma zostać wykonany montaż

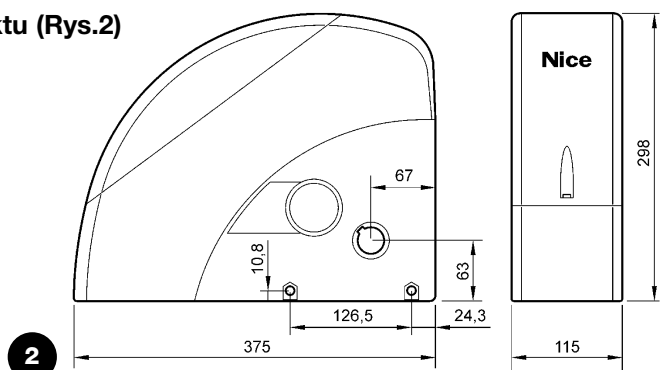
istnieje możliwość przeprowadzenia manewrów ręcznych w sposób łatwy i bezpieczny.

- Upewnij się czy do montażu każdego urządzenia przewidziane jest miejsce o solidnej powierzchni, w którym nie występuje ryzyko przypadkowych uderzeń.

3.3) Sprawdzenie ograniczeń eksploatacyjnych produktu (Rys.2)

Sprawdź ograniczenia eksploatacyjne siłownika SOON oraz pozostałych akcesoriów, które mają zostać zamontowane. Oceń czy właściwości produktów odpowiadają wymaganiom otoczenia i wskazanym poniżej ograniczeniom:

- Upewnij się czy wielkość bramy segmentowej nie przekracza 20 m.
- Przy użyciu wpustów znajdujących się na wyposażeniu, sprawdź czy wał napędowy bramy segmentowej jest kompatybilny z otworem wyjściowym siłownika SOON.
- Upewnij się czy uchwyt mocujący do ściany jest wystarczająco długi.



4) Montaż poszczególnych elementów

⚠ Czynności związane z montażem automatyki mogą być wykonane wyłącznie przez wykwalifikowany personel techniczny, zgodnie z obowiązującymi przepisami i normami oraz zaleceniami zawartymi w niniejszej instrukcji.

4.1) Typowy schemat instalacji (Rys.3)

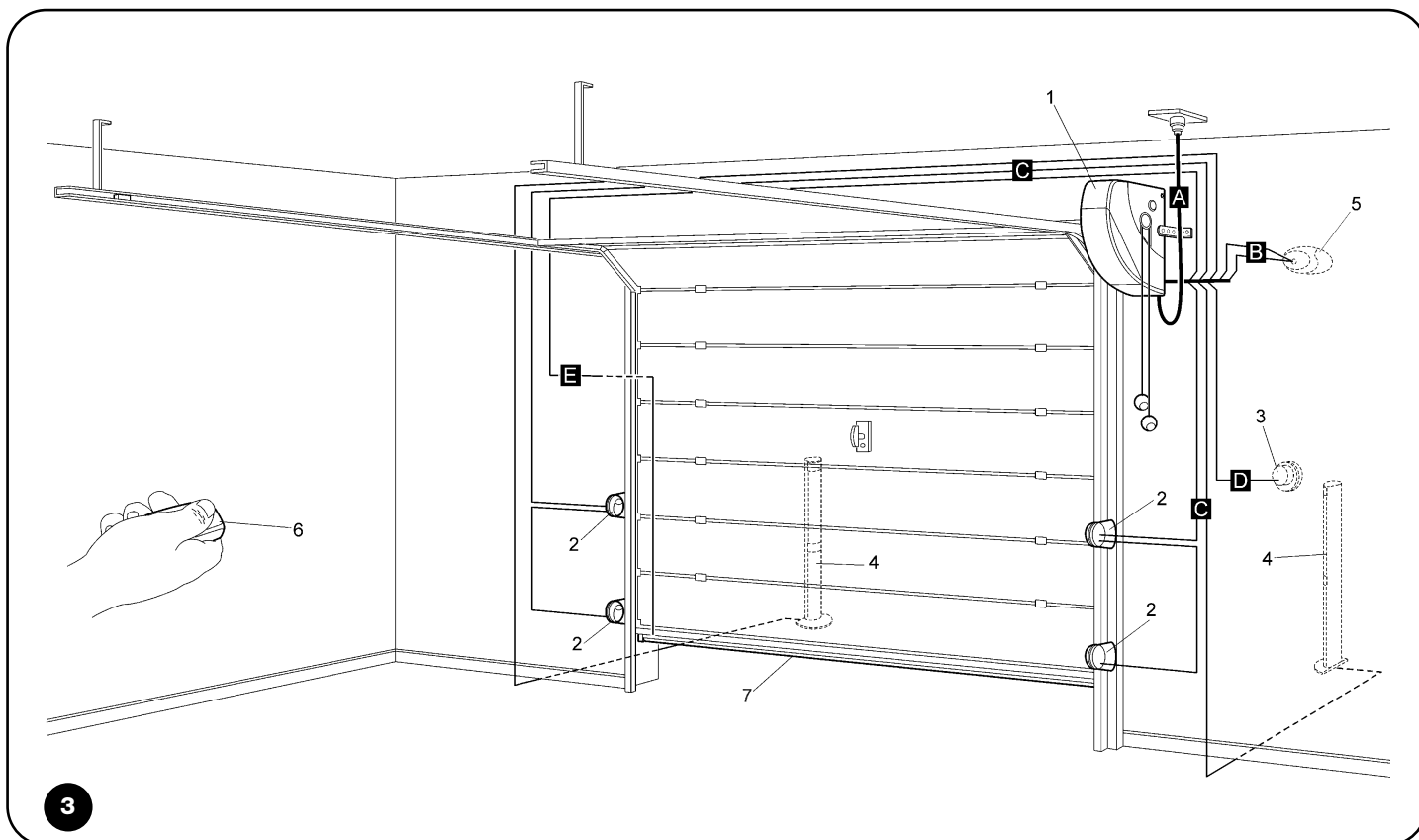
Na Rys. 3 przedstawiono kompletną instalację siłownika SOON. Rysunek przedstawia typowy schemat wykonania instalacji z zaznaczeniem poszczególnych elementów oraz przewodów potrzebnych do ich montażu.

Legenda elementów mechanicznych przedstawionych na Rys. 3:

- 1 - Siłownik SOON
- 2 - Fotokomórka
- 3 - Przełącznik na klucz
- 4 - Słupek na fotokomórkę
- 5 - Lampa ostrzegawcza
- 6 - Nadajnik
- 7 - Główna listwa krawędziowa

Legenda przewodów elektrycznych przedstawionych na Rys. 3:

- A - Linia zasilania
- B - Lampa ostrzegawcza z anteną
- C - Fotokomórki
- D - Przełącznik na klucz
- E - Główna listwa krawędziowa



3

4.2) Montaż elementów mechanicznych

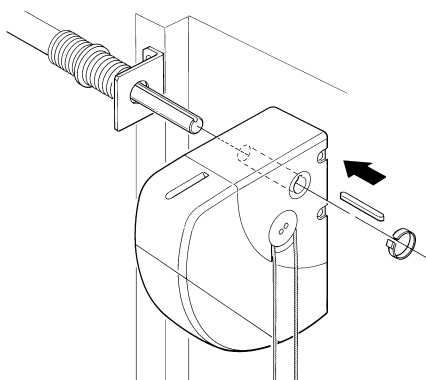
Po zakończeniu prac przygotowawczych (np. wykonanie bruzd pod rury z przewodami elektrycznymi i ułożenie zewnętrznych koryt kablowych, ewentualne zamocowanie wspomnianych wyżej rur w betonie i inne niezbędne prace wstępne) możesz przystąpić do montażu i wykonania kompletnej instalacji wszystkich elementów mechanicznych i elektrycznych siłownika SOON. Pamiętaj, aby zachować wskazaną poniżej kolejność.

Montaż siłownika SOON (Rys. 4)

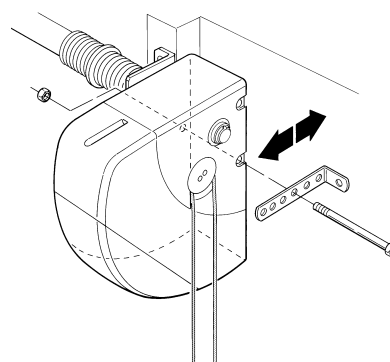
1. (Rys. 4-a) Wsuń siłownik SOON na wał napędowy bramy segmentowej, łącząc je przy użyciu wpustu, który znajduje się na wyposażeniu.

Czynność ta musi być wykonana przy ZAMKNIĘTEJ bramie.

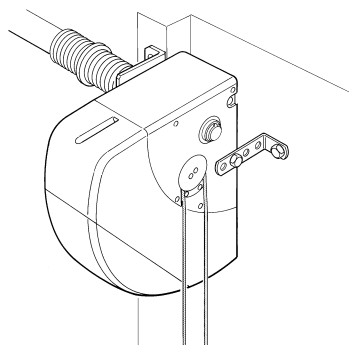
2. (Rys. 4-b) Przy użyciu śruby, nakrętki i podkładki, które znajdują się na wyposażeniu, zamontuj do siłownika SOON uchwyt mocujący.
3. (Rys. 4-c) Przy użyciu kołka rozporowego (brak w wyposażeniu) przymocuj uchwyt do ściany. Wybierz kołek odpowiedni do typu ściany.
4. (Rys. 4-d) Istnieje możliwość montażu siłownika SOON w pozycji poziomej przy wykorzystaniu małej prowadnicy, który znajduje się na wyposażeniu. Przy użyciu trzech śrub (na wyposażeniu), przymocuj prowadnicę w pozycji przedstawionej na rysunku. Zwróć uwagę na wyjście linek wysprężających



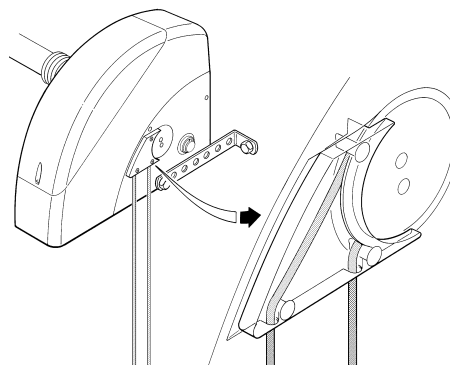
4a



4b



4c



4d

PL

4.3) Ułożenie przewodów elektrycznych (Rys. 3 i Tabela 1)

Po zakończeniu montażu poszczególnych elementów mechanicznych, możesz przystąpić do ułożenia przewodów elektrycznych. Postępuj według Rys. 3, który pokazuje typowe ułożenie tych przewodów oraz Tabeli 1, zawierającej ich dane techniczne.

⚠ Przewody stosowane do podłączenia poszczególnych urządzeń muszą być odpowiednie do typu instalacji, jaką pragniesz wykonać. W przypadku montażu w miejscu zadaszonym lub w pomieszczeniach zaleca się przewód typu H03VV-F.

WŁAŚCIWOŚCI PRZEWODÓW ELEKTRYCZNYCH

(Litera przypisane przewodom odpowiadają oznaczeniom z Rys.3)

Podłączenie	Rodzaj przewodu	Maksymalna dozwolona długość
A: Linia zasilania	przewód (3 x 1,5 mm ²), szt.1	30 m (*)
B: Lampa ostrzegawcza	przewód (2 x 1 mm ²), szt.1	20 m
C: Antena	przewód ekranowany (typ RG58), szt.1	20 m (zalecana: mniej niż 5 m)
D: Fotokomórka	przewód (2 x 0,5 mm ²), szt.1	30 m
E: Przełącznik na klucz	przewód (4 x 0,5 mm ²), szt.1	50 m
F: Podłączenie zabezpieczających listew krawędziowych	przewód (2 x 0,5 mm ²), szt.1	20 m

Pamiętaj: (*) Jeśli długość przewodu zasilania przekracza 30 m, musisz użyć przewodu o większym przekroju (np. 3 x 2,5 mm²). Potrzebne jest wówczas także uziemienie zabezpieczające w pobliżu automatyki.

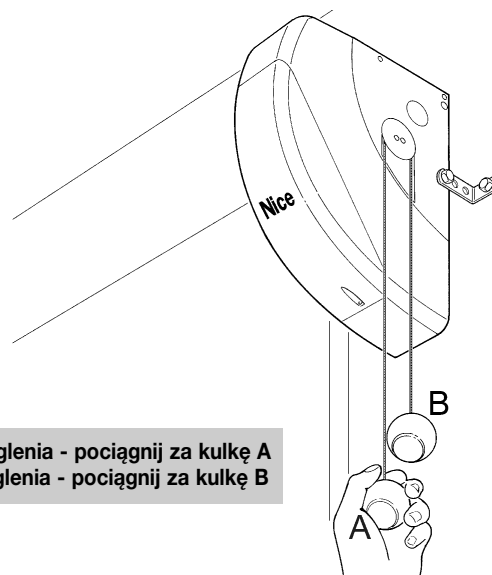
4.4) Ręczne wysprężenie i zaszprężenie

⚠ Przedstawiona poniżej procedura obowiązuje każdorazowo, gdy w tekście instrukcji jest mowa o ręcznym "zasprężaniu" lub "wysprężaniu" mechanizmu siłownika SOON.

Pamiętaj:

Manewr wysprężenia lub zaszprężenia mechanizmu może być wykonywany tylko przy całkowicie nieruchomym siłowniku.

- Ręczny manewr jest wykonywany w przypadku braku prądu, wystąpienia anomalii w instalacji lub jeśli wyraźnie zaleca to instrukcja.
- Ręczne wysprężenie pozwala na swobodny ruch bramy segmentowej.



W celu wysprężenia - pociągnij za kulkę A
W celu zaszprężenia - pociągnij za kulkę B

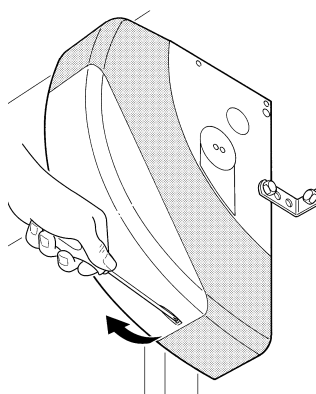
5) Wykonanie podłączeń elektrycznych

⚠ Aby zapewnić bezpieczeństwo instalatora i uniknąć uszkodzenia elementów automatyki, przed wykonaniem podłączeń elektrycznych lub włączeniem Nadajnika radiowego upewnij się czy Centrala sterująca jest ODŁĄCZONA od zasilania i od ewentualnych akumulatorów buforowych.

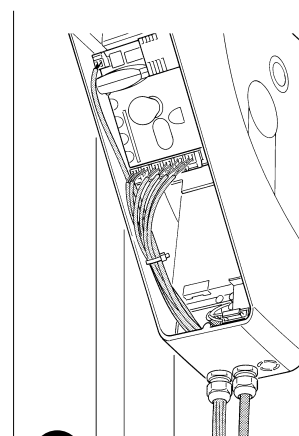
5.1) Podłączenie wszystkich urządzeń

Wszystkie podłączenia elektryczne muszą być wykonywane na odłączonym napięciu.

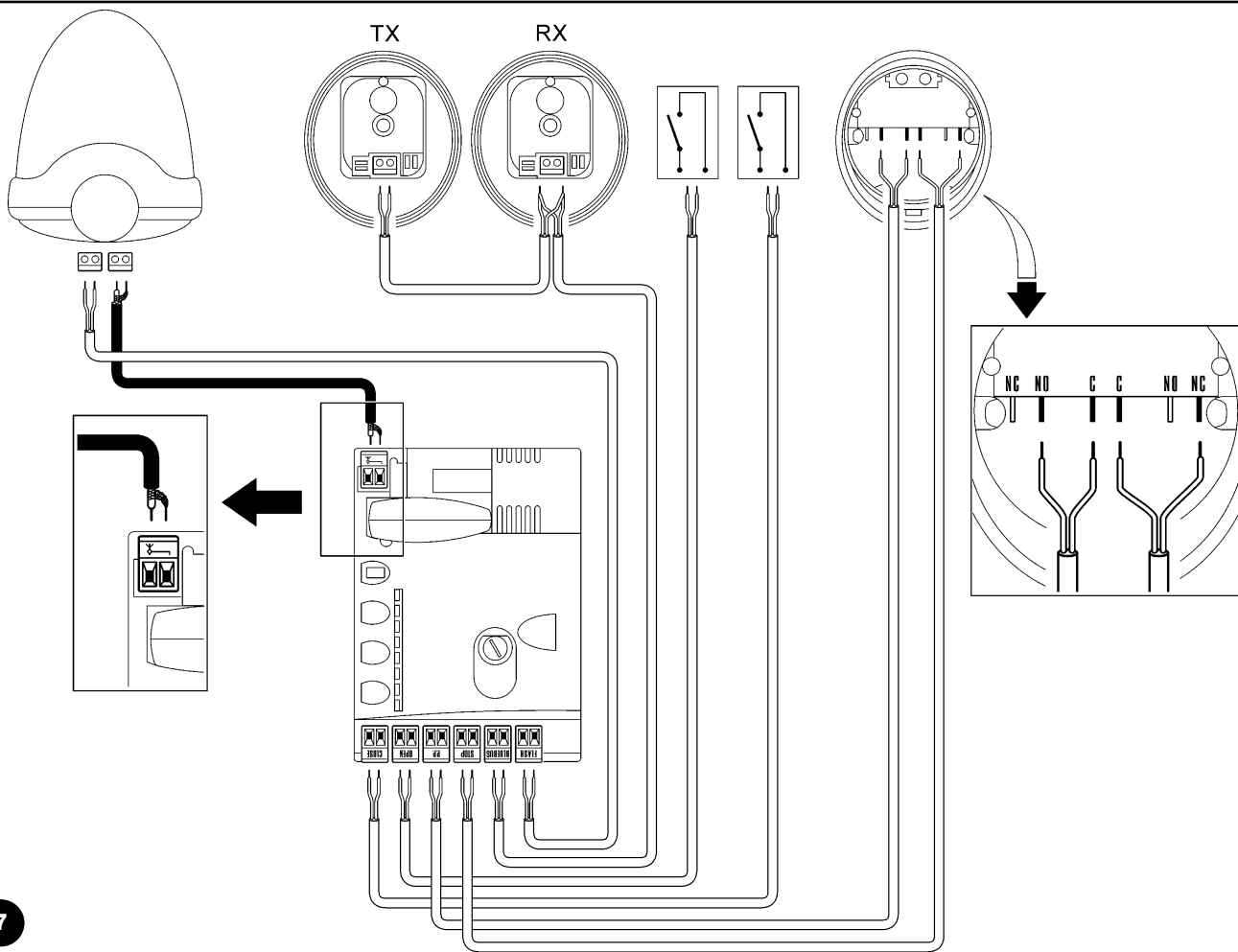
1. Aby zdjąć pokrywę zabezpieczającą i uzyskać dostęp do centrali sterującej SOON, wykręć śrubę i podnieś pokrywę odchylając ją do góry (Rys.5).
2. Poluzuj wolną opaskę zaciskową i wsuń w nią przewody do podłączenia do zacisków centrali. Zostaw przewody dłuższe o 20-30 cm niż potrzeba. Typ przewodów znajdziesz w Tabeli 1, natomiast podłączenia na Rys. 6.
3. Podłącz przewody według schematu przedstawionego na Rys. 7. Istnieje możliwość wyjęcia zacisków, co usprawnia wykonanie podłączeń.
4. Po wykonaniu podłączeń zablokuj przewody, zaciągając opaskę zaciskową. Nadmiar przewodu anteny przymocuj do pozostałych przewodów przy użyciu innej opaski.



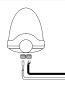

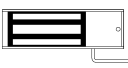
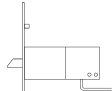
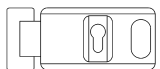
5



6



7

FLASH	istnieje możliwość zaprogramowania tego wyjścia (patrz CZĘŚĆ DRUGA instrukcji) tak, aby podłączyć jedno lub więcej spośród następujących urządzeń:
	Lampa ostrzegawcza Jeśli na wyjściu "FLASH" jest zaprogramowana "lampa ostrzegawcza" istnieje możliwość podłączenia lampy ostrzegawczej NICE "LUCY B" z żarówką o mocy 12V/21W, typu samochodowego. W czasie manewru lampa miga - 0.5 sekundy pali się i 0.5 sekundy jest zgaszona.
	Wyjście "lampa sygnalizująca otwartą bramę" Jeśli na wyjściu "FLASH" jest zaprogramowana "lampa sygnalizująca otwartą bramę" istnieje możliwość podłączenia lampki o napięciu 24V max 5W w celu sygnalizacji otwartej bramy. Na tym wyjściu można zaprogramować także inne funkcje. Więcej informacji w CZĘŚCI DRUGIEJ instrukcji.
	Blokada elektromagnetyczna* Jeśli na wyjściu "FLASH" jest zaprogramowana "blokada elektromagnetyczna" istnieje możliwość podłączenia blokady elektromagnetycznej o napięciu 24V max 10W (wersja z samym elektromagnesem, bez elektroniki sterującej). Kiedy brama jest zamknięta blokada elektromagnetyczna jest aktywna, blokując bramę. W czasie manewru otwarcia lub zamknięcia blokada elektromagnetyczna nie jest aktywna.
	Blokada elektryczna* Jeśli na wyjściu "FLASH" jest zaprogramowana "blokada elektryczna" istnieje możliwość podłączenia blokady elektrycznej z zatraskiem, o napięciu 24V max 10W (wersja z samym elektromagnesem, bez elektroniki sterującej). Blokada elektryczna jest aktywowana podczas manewru otwarcia, co pozwala na odblokowanie bramy i wykonanie manewru. Upewnij się czy podczas manewru zamknięcia blokada elektryczna ponownie załącza się mechanicznie.
	Zamek elektryczny* Jeśli na wyjściu "FLASH" jest zaprogramowany "zamek elektryczny" istnieje możliwość podłączenia zamka elektrycznego z zatraskiem, o napięciu 24V max 10W (wersja z samym elektromagnesem, bez elektroniki sterującej). Zamek elektryczny jest aktywowany na krótko podczas manewru otwarcia w celu zwolnienia bramy i wykonania manewru. Upewnij się czy podczas manewru zamknięcia zamek elektryczny ponownie załącza się mechanicznie.
BLUEBUS	do tego zacisku można podłączyć urządzenia kompatybilne. Wszystkie urządzenia są podłączone równolegle i tylko na dwóch przewodach, przez które zarówno przechodzi zasilanie elektryczne jak i odbywa się transmisja danych. Więcej informacji o BlueBUS znajdziesz się w punkcie "5.2 – Podłączenie urządzeń BlueBUS".
STOP	wejście dla urządzeń, które blokują lub zatrzymują manewr w toku. Przy użyciu odpowiednich sposobów można podłączyć styki typu "Normalnie Zamknięty", "Normalnie Otwarty", urządzenia o stałej oporności lub typu optycznego. Więcej informacji o wejściu STOP znajdziesz się w punkcie "5.3 – Podłączenie urządzeń do wejścia STOP"
KROK PO KROKU	wejście dla urządzeń, które sterują ruchem w trybie Krok po kroku. Istnieje możliwość podłączenia styków typu "Normalnie Otwarty".
OPEN	wejście dla urządzeń, które sterują ruchem tylko podczas manewru otwarcia. Istnieje możliwość podłączenia styków typu "Normalnie Otwarty".
CLOSE	wejście dla urządzeń, które sterują ruchem tylko podczas manewru zamknięcia. Istnieje możliwość podłączenia styków typu "Normalnie Otwarty".
ANTENA	wejście podłączenia anteny odbiornika radiowego (antena jest wbudowana w LUCY B)

* Można podłączyć urządzenia posiadające wyłącznie elektromagnes.

⚠ Zakaz stosowania urządzeń innych od przewidzianych

5.2) Podłączenie urządzeń bluebus

BlueBUS to technologia, która umożliwia podłączenie urządzeń kompatybilnych przy użyciu jedynie dwóch przewodów, przez które zarówno przechodzi zasilanie elektryczne jak i odbywa się transmisja danych. Wszystkie urządzenia są podłączane równolegle, na tych samych przewodach BlueBUS i bez konieczności zwracania uwagi na biegunowość. Każde urządzenie jest rozpoznawane oddzielnie, ponieważ podczas montażu jest mu przypisywany jednoznaczny adres. Do BlueBUS można podłączyć na przykład fotokomórki, urządzenia

zabezpieczające, przyciski sterujące, lampki sygnalizacyjne, itd. Wszystkie podłączone urządzenia są rozpoznawane automatycznie przez centralę sterującą SOON podczas specjalnej procedury uczenia się. Centrala jest w stanie wykryć z niezwykłą dokładnością wszelkie anomalie. W związku z powyższym, za każdym razem, gdy dodajesz lub usuwasz urządzenie podłączone do wyjścia BlueBUS, musisz przeprowadzić w centrali procedurę uczenia, zgodnie z opisem wskazanym w punkcie "7.1 – Rozpoznawanie dołączonych urządzeń".

5.2.1) Fotokomórki

System "BlueBUS" pozwala - poprzez adresowanie przy użyciu specjalnych zworek - na rozpoznanie fotokomórek przez centralę i przydzielenie każdej linii właściwej funkcji odczytu. Adresowanie musi być przeprowadzone zarówno w stosunku do TX, jak i RX (zworki muszą być ustawione w ten sam sposób). Należy sprawdzić także czy nie ma innych par fotokomórek o tym samym adresie.

W automatyzacji bram segmentowych z SOON można zainstalować fotokomórki tak jak pokazano na Rys.8. Po montażu lub usunięciu fotokomórek należy przeprowadzić w centrali procedurę uczenia, zgodnie z punktem "7.1 – Rozpoznawanie dołączonych urządzeń".

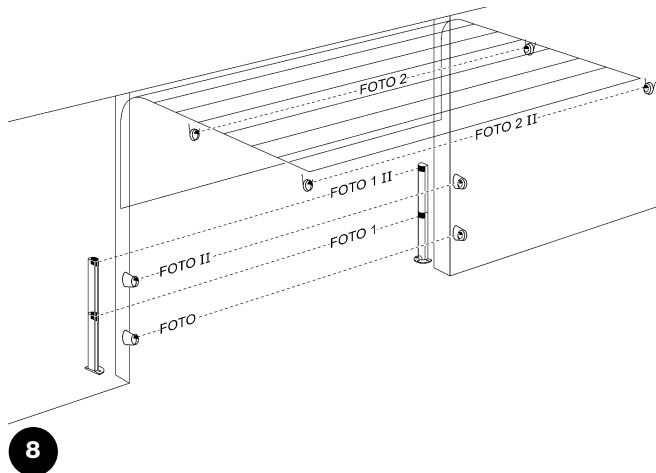


Tabela 2: Ustawienia fotokomórek

Fotokomórka	Zworki	Fotokomórka	Zworki
FOTO Fotokomórka h = 50 działa podczas zamknięcia		FOTO 2 Fotokomórka działa podczas otwarcia	
FOTO II Fotokomórka h = 100 działa podczas zamknięcia		FOTO 2 II Fotokomórka działa podczas otwarcia	
FOTO 1 Fotokomórka h = 50 działa zarówno podczas zamknięcia jak i otwarcia		FOTO 3 KONFIGURACJA ZABRONIONA	
FOTO 1 II Fotokomórka h = 100 działa zarówno podczas zamknięcia jak i otwarcia			

5.2.2) FotoczuJNIK FT210B

FotoczuJNIK FT210B stanowi połączenie w jednym urządzeniu systemu ograniczenia siły (typ C, według normy EN12453) oraz wykrywacza przeszkód występujących na osi optycznej pomiędzy nadajnikiem TX a odbiornikiem RX (typ D, według normy EN12453). W fotoczuJNIku FT210B sygnały statusu zabezpieczającej listwy krawędziowej są przesyłane za pośrednictwem promienia fotokomórki, łącząc 2 systemy w jednym urządzeniu. Część nadawcza znajdująca się na ruchomym skrzydle jest zasilana baterią, co eliminuje potrzebę wykonywania nieestetycznych systemów łączenia. Zużycie baterii jest zmniejszane dzięki specjalnemu rozwiązaniu projektowemu, które przedłuża jej trwałość do 15 lat (więcej na temat szczegółów oszacowania trwałości znajdziesz w instrukcji produktu). Urządzenie FT210B, w połączeniu z zabezpieczającą listwą krawędziową (np. TCB65), pozwala na

osiągnięcie poziomu bezpieczeństwa "głównej krawędzi zamykającej" wymaganego przez normę EN12453 dla każdego "typu użycia" i "typu aktywacji". FotoczuJNIK FT210B w połączeniu z zabezpieczającymi listwami krawędziowymi "opornościowymi" ($8,2K\Omega$), jest odporny na pojedyncze uszkodzenie (kategoria 3, według EN 954-1). Jest wyposażony w specjalny system anty-zakłóceńowy, który pozwala na uniknięcie zakłóceń z innymi urządzeniami wykrywającymi, nawet jeśli nie zostanie wcześniej przeprowadzona synchronizacja, i pozwala na dodanie innych fotokomórek, np. gdy masz do czynienia z przejazdem ciężkich pojazdów, kiedy to zazwyczaj należy zamontować dodatkową fotokomórkę na wysokości 1 m od podłoża.

Więcej informacji dotyczących trybu podłączenia i adresowania znajdziesz w instrukcji FT210B.

5.3) Podłączenie Urządzeń Do Wejścia STOP

STOP jest wejściem, które powoduje natychmiastowe zatrzymanie manewru i krótki ruch w przeciwnym kierunku. Do tego wejścia mogą być podłączone urządzenia z wyjściem ze stykiem normalnie otwartym "NO", normalnie zamkniętym "NC" lub urządzenia z wyjściem o stałej oporności $8,2K\Omega$, na przykład zabezpieczające listwy krawędziowe. W przypadku wejścia STOP, tak jak przy BlueBUS, należy przeprowadzić procedurę uczenia, rozpoznając urządzenia podłączone do centrali (punkt 7.1 "Rozpoznawanie urządzeń").

Następnie STOP będzie interweniował za każdym razem, gdy nastąpi zmiana w stosunku do zapamiętanego stanu.

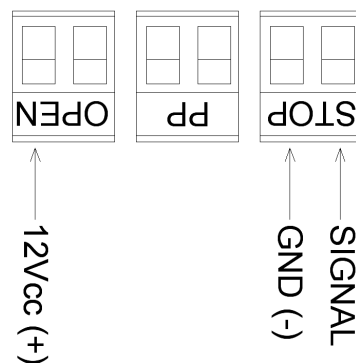
Przy użyciu odpowiednich sposobów można podłączyć do wejścia STOP więcej niż jedno urządzenie, nawet różnego typu:

- Kilka urządzeń NO można podłączyć równolegle, bez ograniczeń ilości.

- Kilka urządzeń NC można podłączyć szeregowo, bez ograniczeń ilości.
- Kilka urządzeń o stałej oporności $8,2K\Omega$ można podłączyć "kaskadowo" z jedną opornością końcową o wartości $8,2K\Omega$.
- Możliwa jest kombinacja NO i NC poprzez równoległe ustawienie obu styków, należy tylko pamiętać by ustawić szeregowo ze stykiem NC oporność $8,2K\Omega$ (pozwala to na kombinację 3 urządzeń: NO, NC i $8,2K\Omega$).

⚠ Jeśli wejście STOP jest używane do podłączenia urządzeń zabezpieczających, należy pamiętać, że tylko urządzenia z wyjściem o stałej oporności $8,2K\Omega$ lub urządzenia optyczne gwarantują 3 klasę bezpieczeństwa, zgodnie z normą EN 954-1.

W celu podłączenia urządzenia optycznego typu OPTO SENSOR (listwa optyczna) należy natomiast wykonać podłączenia tak jak pokazano na Rys.9



9

5.4) Podłączenie zasilania

W celu podłączenia SOON do zasilania elektrycznego wystarczy włożyć wtyczkę do gniazdka. Jeśli wtyczka SOON nie jest kompatybilna z istniejącym gniazdkiem, zastosuj odpowiedni adapter dostępny na rynku.

6) Pierwsze uruchomienie instalacji - testy

⚠ Opisane poniżej czynności będą wykonywane na częściach elektrycznych pod napięciem, w związku z tym manewry mogą być niebezpieczne! Pracuj ostrożnie i zawsze w towarzystwie drugiej osoby.

Po zakończeniu montażu elementów i po wykonaniu podłączeń elektrycznych, zanim przejdziesz do następnego etapu, przeprowadź od razu kilka prostych testów w celu sprawdzenia prawidłowego działania instalacji. Wykonaj czynności opisane poniżej, odhaczając po kolei punkty, gdy uzyskasz prawidłowe wyniki.

6.1) Testy prawidłowego działania

Od razu po podłączeniu SOON do zasilania, zaleca się wykonanie kilku prostych testów:

- Upewnij się czy dioda BlueBUS miga regularnie z częstotliwością jedno mignięcie na sekundę.
- Jeśli są podłączone fotokomórki, upewnij się czy migają także diody na fotokomórkach (zarówno TX jak i RX). Rodzaj migania jest nieistotny, jako że zależy on od innych czynników.
- Upewnij się czy urządzenie podłączone do wyjścia FLASH jest wyłączone.
- Upewnij się czy światelko nocne jest zgaszone.

Jeśli przeprowadzone testy nie dadzą pozytywnych wyników odłącz natychmiast zasilanie centrali i sprawdź ponownie połączenia elektryczne.

7) Rozpoznawanie urządzeń i pozycji

7.1) Rozpoznawanie dołączonych urządzeń

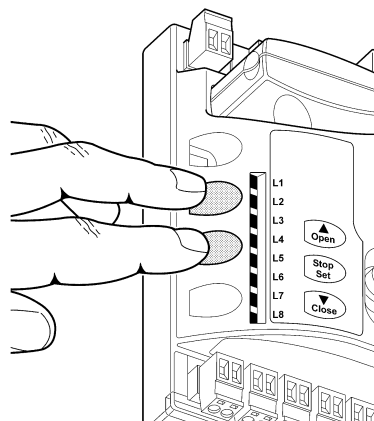
Po podłączeniu zasilania centrala musi rozpoznać urządzenia podłączone do wyjść BlueBUS i STOP. Przed przystąpieniem do tej fazy, diody L1 i L2 migają przypominając, że należy przeprowadzić procedurę uczenia.

⚠ Procedura uczenia musi być przeprowadzona nawet wówczas gdy żadne urządzenie nie zostało podłączone

1. Wciśnij i przytrzymaj przyciski [▲] i [Set]
2. Zwolnij przyciski po około 3 sekundach, kiedy diody L1 i L2 zaczną szybko migać.
3. Odczekaj kilka sekund, aż centrala zakończy procedurę uczenia.

Po zakończeniu wczytywania dioda STOP musi palić się, natomiast diody L1 i L2 zgasną (ewentualnie zaczną migać diody L3 i L4).

Procedura rozpoznawania podłączonych urządzeń może być przeprowadzona ponownie w każdej chwili, również po zakończeniu montażu, np. w przypadku podłączania nowego urządzenia.



10

PL

7.2) Rozpoznawanie pozycji

Po rozpoznaniu urządzeń centrala musi zapamiętać pozycje otwarcia i zamknięcia bramy. Można zaprogramować do 6 następujących pozycji:

Pozycja	Znaczenie
A1	Pozycja maksymalnego otwarcia. Po osiągnięciu tej pozycji brama zatrzymuje się.
RA1	Pozycja początku zwolnienia ruchu podczas manewru otwarcia. Po osiągnięciu tej pozycji silnik zwalnia, przechodząc na prędkość minimalną.
RINT	Pozycja zwolnienia pośredniego podczas manewru zamknięcia. W przypadku zaprogramowania tej pozycji brama zaczyna zwalniać około 50cm wcześniej, tak by minąć pozycję RINT na prędkości minimalnej. Po przejściu pozycji RINT silnik powraca na zaprogramowaną prędkość.
AP	Pozycja częściowego otwarcia. Po osiągnięciu tej pozycji brama zatrzymuje się, jeśli zostało wydane polecenie otwarcia częściowego.
RA0	Pozycja początku zwolnienia ruchu podczas manewru zamknięcia. Po osiągnięciu tej pozycji silnik zwalnia, przechodząc na prędkość minimalną.
A0	Pozycja maksymalnego zamknięcia. Po osiągnięciu tej pozycji brama zatrzymuje się.

Jeśli pozycje nie zostały wczytane migają diody L3 i L4.

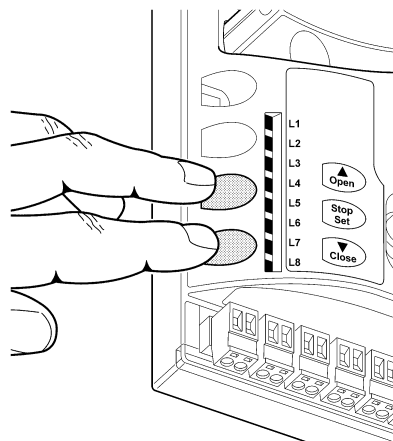
Poniżej została opisana procedura wczytywania pozycji. Pozycje A1 i A0 muszą zostać zaprogramowane, natomiast pozostałe pozycje możesz ominąć - zostaną one wówczas wyznaczone automatycznie przez centralę.

1. Wciśnij i przytrzymaj przyciski [Set] + [▼] przez 3 sekundy, aby wejść w tryb wczytywania pozycji.
Miga dioda L1: wczytywanie pozycji A1.
2. Przyciskami [▲] lub [▼] ustaw bramę w pozycji maksymalnego otwarcia.
3. Wciśnij i przytrzymaj przez 2 sekundy przycisk [Set] , aby potwierdzić pozycję A1. Dioda L1 zapali się na stałe.
Miga dioda L2: wczytywanie pozycji RA1
4. Jeśli nie chcesz programować pozycji zwolnienia ruchu podczas manewru otwarcia, wciśnij szybko 2 razy przycisk [Set] , aby przejść do kolejnego programowania - dioda L2 będzie zgaszona. Jeśli jednak chcesz zaprogramować tę pozycję wykonaj następującą sekwencję.
5. Przyciskami [▲] lub [▼] ustaw bramę w pozycji zwolnienia ruchu podczas manewru otwarcia.
6. Wciśnij i przytrzymaj przez 2 sekundy przycisk [Set] aby potwierdzić pozycję RA1. Dioda L2 zapali się na stałe.
Miga dioda L4: wczytywanie pozycji RINT
7. Jeśli nie chcesz programować pozycji zwolnienia pośredniego, wciśnij szybko 2 razy przycisk [Set] , aby przejść do kolejnego programowania, dioda L4 będzie zgaszona. Jeśli jednak chcesz zaprogramować tę pozycję wykonaj następującą sekwencję.
8. Przyciskami [▲] lub [▼] ustaw bramę w pozycji zwolnienia pośredniego.
9. Wciśnij i przytrzymaj przez 2 sekundy przycisk [Set] aby potwierdzić pozycję RINT. Dioda L4 zapali się na stałe.
Miga dioda L5: wczytywanie pozycji AP
10. Jeśli nie chcesz programować pozycji częściowego otwarcia, wciśnij szybko 2 razy przycisk [Set] , aby przejść do kolejnego programowania - dioda L5 będzie zgaszona. Jeśli jednak chcesz zaprogramować tę pozycję wykonaj następującą sekwencję.
11. Przyciskami [▲] lub [▼] ustaw bramę w pozycji częściowego otwarcia.
12. Wciśnij i przytrzymaj przez 2 sekundy przycisk [Set] aby potwierdzić pozycję RAP. Dioda L5 zapali się na stałe.
Miga dioda L7: wczytywanie pozycji RA0
13. Jeśli nie chcesz programować pozycji zwolnienia ruchu podczas manewru zamknięcia, wciśnij szybko 2 razy przycisk [Set] , aby przejść do kolejnego programowania - dioda L7 będzie zgaszona. Jeśli jednak chcesz zaprogramować tę pozycję wykonaj następującą sekwencję.
14. Przyciskami [▲] lub [▼] ustaw bramę w pozycji zwolnienia ruchu podczas manewru zamknięcia.
15. Wciśnij i przytrzymaj przez 2 sekundy przycisk [Set] aby potwierdzić pozycję RA0. Dioda L7 zapali się na stałe.
Miga dioda L8: wczytywanie pozycji A0
16. Przyciskami [▲] lub [▼] ustaw bramę w pozycji maksymalnego zamknięcia.
17. Wciśnij i przytrzymaj przez 2 sekundy przycisk [Set] aby potwierdzić pozycję A0. Dioda L8 pali się.
18. Po zwolnieniu przycisku [Set] zgasną wszystkie diody.
19. Wydadź polecenie otwarcia wciskając przycisk [Open] , tak by brama wykonała pełny manewr otwarcia.
20. Wydadź polecenie zamknięcia wciskając przycisk [Close] tak by brama wykonała pełny manewr zamknięcia.

Podczas tych manewrów w centrali zostanie zapamiętana siła potrzebna do wykonania ruchu otwarcia i zamknięcia.

Ważne jest aby te pierwsze manewry nie zostały przerwane, np. poprzez zadziałanie polecenia STOP.

Procedura wczytywania pozycji może zostać wykonana ponownie w każdej chwili, również po zakończeniu montażu, wystarczy powtórzyć ją od punktu 1. Jeśli chcesz zmienić tylko jedną z pozycji, powtórz sekwencję od punktu 1 i omiń programowanie pozycji, które cię nie interesują, wciskając 2 razy szybko przycisk **[Set]** dla każdej pozycji, którą chcesz ominąć.



8) Końcowy odbiór techniczny instalacji

8.1) Testy podczas końcowego odbioru technicznego

Każda część automatyki, np. zabezpieczające listwy krawędziowe, fotokomórki, stop bezpieczeństwa itd., wymaga osobnego odbioru technicznego. W odniesieniu do tych urządzeń należy zastosować procedury opisane w odnośnych instrukcjach.

W celu przeprowadzenia odbioru technicznego siłownika SOON wykonaj następujące czynności:

1. Upewnij się czy przestrzegane są ściśle zalecenia opisane w rozdziale 1 "OSTRZEŻENIA"
2. Wysprzęglij bramę pociągając w dół linkę wysprzęglającą. Upewnij się czy jest możliwe ręczne otwarcie i zamknięcie bramy przy użyciu siły nie przekraczającej 225N.
3. Zasprzęglij bramę pociągając za linkę zasprzęglającą.
4. Używając przełącznika na klucz lub nadajnika, wykonaj kilka prób zamknięcia i otwarcia bramy i upewnij się czy wykonywany ruch odpowiada oczekiwaniu.
5. Wykonaj kilka prób, aby ocenić płynny ruch bramy i upewnij się czy nie ma wad montażu lub regulacji oraz punktów większego tarcia.
6. Sprawdź po kolei prawidłowe działanie wszystkich urządzeń zabezpieczających, w które jest wyposażona instalacja (fotokomórki,

zabezpieczające listwy krawędziowe, itd.). W szczególności upewnij się czy za każdym razem przy interwencji jednego z tych urządzeń, dioda "BlueBUS" na centrali miga szybko 2 razy, co stanowi potwierdzenie, że do centrali wpłynęła informacja o zdarzeniu.

7. Należy sprawdzić fotokomórki, a w szczególności upewnij się czy nie ma zakłóceń z innymi urządzeniami. W tym celu przesuń cylinder o średnicy 5 cm i długości 30cm, przecinając oś optyczną, najpierw przy TX potem przy RX i na końcu pomiędzy nimi i upewnij się czy zawsze urządzenie zadziała przechodząc ze stanu aktywnego w stan alarmu i na odwrót. Upewnij się także czy interwencja fotokomórki wywołuje w centrali przewidzianą czynność: np. w czasie wykonywania manewru zamknięcia prowokuje ruch w przeciwnym kierunku.
8. Jeśli zastosowano ograniczenie siły dobitcia w celu uniknięcia niebezpiecznych sytuacji związanych z ruchem bramy należy zmierzyć tę siłę według zaleceń normy EN 12445. Jeśli regulacja "Prędkości" i kontrola "Siły Siłnika" stanowią wsparcie systemu redukcji siły dobitcia, należy powtórzyć regulację i znaleźć ustawienia, które zapewnią lepsze wyniki.

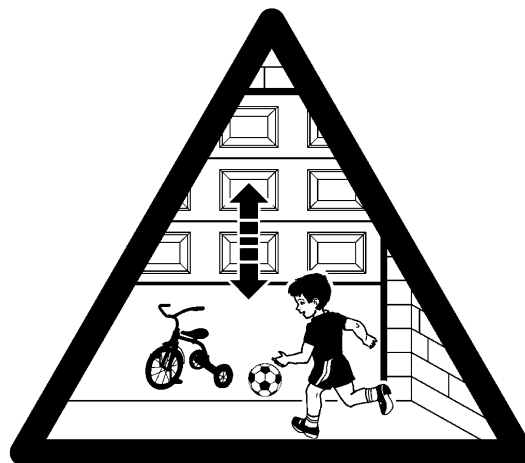
8.2) Przekazanie do eksploatacji

Przekazanie do eksploatacji może nastąpić dopiero po wykonaniu, z wynikiem pozytywnym, wszystkich etapów odbioru technicznego Soon i pozostałych urządzeń. Zabrania się częściowego lub "prowizorycznego" przekazania do eksploatacji.

1. Sporządź i zachowaj na minimum 10 lat Dokumentację Techniczną automatyki, która powinna zawierać: rysunek zestawieniowy automatyki, schemat połączeń elektrycznych, analizę ryzyka wraz z opisem wdrożonych środków zapobiegawczych, deklarację zgodności producenta wszystkich użytych urządzeń (dla Soon należy użyć załączonej Deklaracji zgodności CE), kopię instrukcji oraz harmonogramu konserwacji automatyki.
2. Na bramie zamocuj tabliczkę zawierającą (przynajmniej) następujące informacje: typ automatyki, nazwa i adres instalatora (odpowiedzialnego za "przekazanie do eksploatacji") numer identyfikacyjny, rok produkcji i znak "CE".
3. Zamocuj w sposób trwały na bramie także etykietę lub tabliczkę opisującą operacje wysprzęglenia oraz manewru ręcznego.
4. Zamocuj w sposób trwały na bramie etykietkę lub tabliczkę z takim rysunkiem (minimalna wysokość 60mm).
5. Sporządź i przekaz właścicielowi urządzenia deklarację zgodności automatyki.
6. Sporządź i przekaz właścicielowi urządzenia książkę "Zalecenia i ostrzeżenia dotyczące eksploatacji automatyki".
7. Sporządź i przekaz właścicielowi urządzenia harmonogram

konserwacji (zawierający wytyczne do konserwacji wszystkich urządzeń wchodzących w skład automatyki).

8. Przed przekazaniem automatyki do eksploatacji poinformuj właściciela w odpowiedni sposób i na piśmie (na przykład w książce "Zalecenia i ostrzeżenia dotyczące eksploatacji automatyki") o ryzyku resztkowym.



9) Zalecenia dotyczące personalizacji działania automatyki

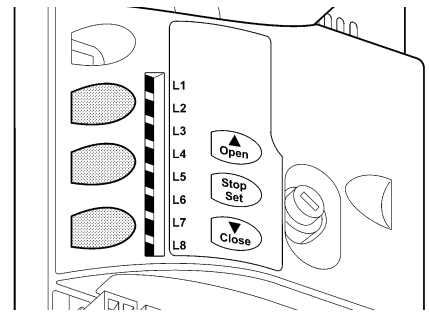
Część Druga przedstawia sposoby personalizacji działania automatyki przy użyciu regulacji oraz opcji, które można wczytać w pamięć centrali. Rozdział końcowy jest poświęcony rozwiązywaniu problemów, konserwacji i utylizacji produktu.

9.1) Przyciski programujące

Na centrali sterującej SOON znajdują się 3 przyciski, służące do sterowania centralą podczas prób oraz podczas programowania:

Open ▲	Przycisk "OPEN" umożliwia wydanie polecenia otwarcia bramy lub przesunięcie do góry zaprogramowanego punktu.
Stop Set	Przycisk "STOP" umożliwia zatrzymanie manewru. Jeśli jest wciśnięty przez więcej niż 5 sekund pozwala na przejście do trybu programowania.
Close ▼	Przycisk "CLOSE" umożliwia wydanie polecenia zamknięcia bramy lub przesunięcie do dołu zaprogramowanego punktu.

12



10) Programowanie

W centrali sterującej siłownika SOON znajdują się funkcje możliwe do zaprogramowania. Do ustawienia tych funkcji służą 3 przyciski na centrali: [▲] [Set] [▼], a do ich wizualizacji 8 diod: od L1 do L8.

W centrali SOON istnieje możliwość zaprogramowania funkcji na dwóch poziomach:

Pierwszy poziom - funkcje typu ON-OFF (aktywne lub nieaktywne). W tym wypadku każda dioda od L1 do L8 jest przypisana do jednej funkcji. Jeśli dioda pali się, funkcja jest aktywna, jeśli jest zgaszona funkcja jest nieaktywna. Patrz Tabela 3

Drugi poziom - możliwość regulacji wartości funkcji (w skali od 1 do 8). W tym wypadku każda dioda, od L1 do L8, wskazuje jeden z ośmiu możliwych poziomów wartości funkcji. Patrz Tabela 4.

10.1) Funkcje pierwszego poziomu

Tabela 3: Wykaz funkcji możliwych do zaprogramowania: pierwszy poziom

Dioda	Funkcja	Opis
L1	Zamknij automatycznie	Funkcja ta pozwala na automatyczne zamknięcie bramy po zaprogramowanym czasie pauzy. Fabrycznie czas pauzy jest ustawiony na 30 sekund, ale istnieje możliwość regulacji na 10, 20, 40, 60, 80, 120, 160 i 200 sekund. Jeśli funkcja nie zostanie aktywowana siłownik będzie działał w trybie "półautomatycznym".
L2	Zamknij po Fotokomórce	Funkcja ta pozwala na pozostawienie bramy otwartej tylko na czas potrzebny do przejazdu samochodu. Zadziałanie "Fotokomórki" powoduje zamknięcie automatyczne po czasie pauzy równym 5 sekund (niezależnie od zaprogramowanej wartości "czasu pauzy"). Działanie zależy od tego czy została aktywowana funkcja "Zamknięcie automatyczne". Jeśli funkcja "Zamknij automatycznie" nie została aktywowana brama osiąga zawsze pozycję całkowitego otwarcia (nawet jeśli wcześniej zadziała Fotokomórka). Zadziałanie Fotokomórki powoduje zamknięcie automatyczne po czasie pauzy równym 5 sekund. Jeśli funkcja "Zamknij automatycznie" została aktywowana wówczas manewr otwarcia zatrzymuje się zaraz po zadziałaniu fotokomórek, a po czasie pauzy równej 5 sekund wykonywane jest zamknięcie automatyczne. Funkcja "Zamknij po Fotokomórce" jest zawsze dezaktywowana podczas manewrów przerwanych poleceniem STOP. Jeśli funkcja "Zamknij po Fotokomórce" nie została aktywowana, czas pauzy będzie równy zaprogramowanemu czasowi pauzy lub zamknięcie automatyczne nie zostanie wykonane, jeśli funkcja "zamknij automatycznie" nie została aktywowana.
L3	Zamknij zawsze	Funkcja "Zamknij zawsze" interweniuje, powodując zamknięcie bramy, w sytuacji gdy, po przywróceniu zasilania, zostaje wykryta otwarta brama. Ze względów bezpieczeństwa manewr jest poprzedzony 3 sekundy wstępnym miganiem lampy ostrzegawczej. Jeśli funkcja nie została aktywowana, brama pozostanie otwarta po przywróceniu zasilania.
L4	Stand-By	Funkcja pozwala na maksymalne ograniczenie zużycia prądu. Jeśli funkcja jest aktywowana, wówczas po upływie 1 minuty od zakończenia manewru, centrala wyłącza wyjście BlueBUS (a co za tym idzie również podłączone do niego urządzenia) oraz wszystkie diody, za wyjątkiem diody BlueBUS, która będzie migłała wolniej. Kiedy do centrali ponownie dochodzi polecenie, przywraca ona pełne działanie BlueBUS. Jeśli funkcja ta nie została aktywowana nie istnieje możliwość ograniczenia zużycia prądu.
L5	Długi ruch w przeciwnym kierunku	Funkcja ta pozwala na wybór typu ruchu w przeciwnym kierunku, który brama wykonuje po interwencji STOP lub ogranicznika siły. Jeśli funkcja nie została aktywowana, ruch w przeciwnym kierunku jest krótki (około 15 cm). Jeśli funkcja jest aktywowana, ruch w przeciwnym kierunku jest długi i osiąga pozycję maksymalnego otwarcia lub zamknięcia.
L6	Wstępne miganie	Funkcja wstępnego migania daje dodatkową 3 sekundową pauzę pomiędzy zapaleniem lampy ostrzegawczej a rozpoczęciem manewru, co pozwala na wcześniejsze uprzedzenie o niebezpiecznej sytuacji. Jeśli funkcja wstępnego migania nie została aktywowana, zapalenie lampy ostrzegawczej nastąpi wraz z początkiem manewru.
L7	Czułość	Funkcja ta pozwala na znaczne zwiększenie czułości silnika przy wykrywaniu przeszkód. Jeśli jest stosowana jako wspomaganie przy wykrywaniu siły uderzenia, należy wyregulować także parametry "Prędkość" i "Siła silnika" w menu drugiego poziomu.
L8	Kompensacja	Funkcja ta pozwala na kompensację, następującą wraz z upływem czasu, wydłużenia metalowych linek bramy i wymaga zastosowania zabezpieczającej listwy krawędziowej o oporności 8,2KΩ lub listwy optycznej OSE.

W czasie normalnego działania siłownika SOON, kiedy nie odbywa się żaden manewr, diody od L1 do L8 palą się lub są zgaszone w zależności od statusu funkcji, której odpowiadają, np. dioda L1 pali się jeśli jest aktywna funkcja "Zamknięcie automatyczne".

10.2) Programowanie funkcji pierwszego poziomu

Funkcje pierwszego poziomu są fabrycznie ustawione na "OFF", ale w każdej chwili można dokonać zmiany. Musisz być bardzo skupiony wykonując tę procedurę ponieważ masz tylko 10 sekund pomiędzy wciśnięciem jednego przycisku i drugiego, po upływie tego czasu procedura kończy się automatycznie i zostają wczytane wszelkie zmiany wprowadzone do tego momentu.

1. Wciśnij i przytrzymaj przez około 3 sekundy przycisk **[Set]**
2. Zwolnij przycisk **[Set]** kiedy dioda L1 zacznie migać.
3. Za pomocą przycisków **[▲]** lub **[▼]** przejdź do migającej diody, odpowiadającej funkcji, którą chcemy zmienić.
4. Wciśnij przycisk **[Set]** w celu zmiany statusu funkcji (krótkie mignięcie = OFF; długie mignięcie = ON)

Odczekaj 10 sekund. Po upływie tego czasu automatycznie zakończy się etap programowania.

Pamiętaj – możesz wykonać ponownie punkty 3 i 4 podczas tej samej fazy programowania w celu ustawienia innych funkcji w ON lub OFF.

10.3) Funkcje drugiego poziomu

Tabela 4: Wykaz funkcji możliwych do zaprogramowania: drugi poziom

Dioda wejściowa	Parametr	Dioda (poziom)	Wartość	Opis
L1	Czas Pauzy	L1	10 sekund	Reguluje czas pauzy, tzn. czas przed zamknięciem automatycznym. Działa tylko przy aktywowanej funkcji "Zamknij automatycznie"
		L2	20 sekund	
		L3	40 sekund	
		L4	60 sekund	
		L5	80 sekund	
		L6	120 sekund	
		L7	160 sekund	
		L8	200 sekund	
L2	Funkcja Krok po Kroku	L1	Otwiera - stop - zamyka - stop	Reguluje sekwencję poleceń związanych z wejściem Krok po Kroku lub z 1. poleceniem radiowym
		L2	Otwiera - stop - zamyka - otwiera	
		L3	Otwiera - zamyka - otwiera - zamyka	
		L4	Zespół Mieszkalny	
		L5	Zespół Mieszkalny 2 (ponad 2" powoduje stop)	
		L6	Krok po kroku 2 (mniej niż 2" powoduje otwarcie częściowe)	
		L7	W obecności operatora (manualne)	
		L8	Otwarcie w trybie "półautomatycznym", zamknięcie w trybie "w obecności operatora"	
L3	Prędkość silnika	L1	Prędkość 1 (30% - mała)	Reguluje prędkość silnika podczas normalnego ruchu.
		L2	Prędkość 2 (44%)	
		L3	Prędkość 3 (58%)	
		L4	Prędkość 4 (72%)	
		L5	Prędkość 5 (86%)	
		L6	Prędkość 6 (100% - duża)	
		L7	Otwiera V4, zamyka V2	
		L8	Otwiera V6, zamyka V4	
L4	Wyjście FLASH	L1	Kontrolka otwartej bramy	Wybiera urządzenie podłączone do wyjścia FLASH.
		L2	Aktywne przy zamkniętej bramie	
		L3	Aktywne przy otwartej bramie	
		L4	Lampa ostrzegawcza	
		L5	Blokada elektryczna	
		L6	Zamek elektryczny	
		L7	Blokada elektromagnetyczna	
		L8	Dioda konserwacyjna	
L5	Siła silnika podczas otwarcia	L1	Siła 1 (mała)	Reguluje system sterowania siłą silnika, dostosowując go podczas manewru otwarcia do masy bramy.
		L2	Siła 2	
		L3	Siła 3	
		L4	Siła 4	
		L5	Siła 5	
		L6	Siła 6	
		L7	Siła 7	
		L8	Siła 8 (duża)	
L6	Siła silnika podczas zamknięcia	L1	Siła 1 (mała)	Reguluje system sterowania siłą silnika, dostosowując go podczas manewru zamknięcia do masy bramy.
		L2	Siła 2	
		L3	Siła 3	
		L4	Siła 4	
		L5	Siła 5	
		L6	Siła 6	
		L7	Siła 7	
		L8	Siła 8 (duża)	

Pamiętaj: "■" to ustawienie fabryczne

SEGUE

PL

Dioda wejściowa	Parametr	Dioda (poziom)	Wartość	Opis
L7	Przypomnienie o konserwacji	L1	Automatyczne (w zależności od stopnia trudności manewrów)	Ustala liczbę manewrów, po których nastąpi przypomnienie o konserwacji automatyki (patrz rozdział "13 Przypomnienie o konserwacji").
		L2	1.000	
		L3	2.000	
		L4	4.000	
		L5	6.000	
		L6	8.000	
		L7	10.000	
		L8	12.000	
L8	Historia anomalii	L1	Przebieg 1 manewru (ostatnio wykonanego)	Pozwala sprawdzić rodzaj anomalii odnotowanych podczas ostatnich 8 manewrów (patrz rozdział "14 Historia anomalii")
		L2	Przebieg 2 manewru	
		L3	Przebieg 3 manewru	
		L4	Przebieg 4 manewru	
		L5	Przebieg 5 manewru	
		L6	Przebieg 6 manewru	
		L7	Przebieg 7 manewru	
		L8	Przebieg 8 manewru	

Pamiętaj: "■" to ustawienie fabryczne

Wszystkie parametry mogą być regulowane dowolnie, bez żadnych przeciwwskazań, jedynie przy regulacji "Siły silnika" należy zwrócić uwagę na pewne sprawy:

- Odradza się ustawianie wysokich wartości siły w celu zrównoważenia miejsc nietypowego tarcia bramy. Zbyt duża siła może wpłynąć negatywnie na pracę systemu bezpieczeństwa lub wręcz doprowadzić do uszkodzenia bramy.
- Jeśli kontrola "Siły silnika" jest stosowana również jako wspomaganie systemu redukcji siły dobiecia, wówczas po każdej regulacji należy powtórzyć pomiar siły, zgodnie z normą EN 12445.
- Zużycie materiałów lub warunki atmosferyczne mogą mieć wpływ na ruch bramy, w związku z tym co jakiś czas może okazać się potrzebna nowa regulacja siły.

10.4) Programowanie funkcji drugiego poziomu

Parametry możliwe do regulacji mają fabryczne ustawienia (patrz tabela 4 pola oznaczone "■"), które mogą jednak w każdej chwili zostać zmienione. Musisz być bardzo skupiony wykonując tę procedurę ponieważ masz tylko 10 sekund pomiędzy wciśnięciem jednego przycisku i drugiego, po upływie tego czasu procedura kończy się automatycznie i zostają wczytane wszelkie zmiany wprowadzone do tego momentu.

1. Wciśnij i przytrzymaj przez około 3 sekundy przycisk **[Set]**
2. Zwolnij przycisk **[Set]** kiedy dioda L1 zacznie migać.
3. Wciśnij przyciski **[▲]** lub **[▼]** aby zaczęła migać dioda wejścia, odpowiadająca funkcji, którą chcemy zmienić.
4. Wciśnij i przytrzymaj przycisk **[Set]**. Przycisk **[Set]** musi być wciśnięty podczas wykonywania czynności opisanych w kroku 5 i 6
5. Odczekaj około 3 sekundy, aż zapali się dioda, odpowiadająca aktualnemu poziomowi parametru, który chcesz zmienić.
6. Za pomocą przycisków **[▲]** lub **[▼]**, aktywuj diodę, która odpowiada wartości parametru
7. Zwolnij przycisk **[Set]**

Odczekaj 10 sekund. Po upływie tego czasu automatycznie zakończy się etap programowania.

Pamiętaj: możesz powtórzyć punkty od 3 do 7 podczas tej samej fazy programowania w celu ustawienia większej ilości parametrów.

11) Przypomnienie o konserwacji

Siłownik SOON jest wyposażony w opcję przypominania użytkownikowi o konieczności przeprowadzenia konserwacji. Przy użyciu funkcji "Przypomnienie o konserwacji" istnieje możliwość ustawienia liczby manewrów, po których ma nastąpić sygnalizacja, na jednym z 8 poziomów. Patrz Tabela 4.

Pierwszy poziom regulacji jest "automatyczny" i bierze pod uwagę stopień trudności manewru, tzn. siłę i długość jego trwania, natomiast pozostałe regulacje zależą od liczby manewrów.

Przypomnienie o konserwacji jest sygnalizowane przy pomocy lampy ostrzegawczej lub diody konserwacyjnej w zależności od zaprogramowania (patrz Tabela 4).

W zależności od liczby wykonanych manewrów w stosunku do zaprogramowanego limitu, lampa ostrzegawcza Flash i dioda konserwacyjna, przekazują sygnały przedstawione w Tabeli 5.

Tabela 5: Przypomnienie o konserwacji za pośrednictwem Lampy (Flash) i diody konserwacji

Liczba manewrów	Sygnalizacja poprzez Lampę (Flash)	Sygnalizacja poprzez diodę konserwacji
Poniżej 80% limitu	Normalny (0.5s zapalona, 0.5s zgaszona)	Zapalona przez 2 sekundy na początku manewru otwarcia
Pomiędzy 81 a 100% limitu	Na początku manewru pozostaje zapalona przez 2 sekundy, potem działa normalnie.	Miga podczas całego manewru
Ponad 100% limitu	Na początku i na końcu manewru pozostaje zapalona przez 2 sekundy, potem działa normalnie.	Miga stale

11.1) Kontrola ilości przeprowadzonych manewrów

Przy użyciu funkcji „Przypomnienie o konserwacji” można sprawdzić jaki procent z ustawionego limitu stanowi liczba wykonanych już manewrów. Kontrolę przeprowadzamy w następujący sposób.

1. Wciśnij i przytrzymaj przez około 3 sekund przycisk **[Set]**.
2. Zwolnij przycisk **[Set]** kiedy dioda L1 zacznie migać.
3. Wciśnij przyciski **[▲]** lub **[▼]**, aby przesunąć diodę migającą na diodę L7, tzn. „diodę wejścia” dla funkcji „Przypomnienie o konserwacji”.
4. Wciśnij i przytrzymaj wciśnięty przycisk **[Set]**. Przycisk **[Set]** musi pozostać wciśnięty podczas wykonywania kroków 5,6 i 7.
5. Odczekaj 3 sekundy, aż zapali się dioda odpowiadająca aktualnemu poziomowi funkcji „Przypomnienie o konserwacji”.
6. Wciśnij i od razu zwolnij przyciski **[▲]** i **[▼]**.
7. Dioda odpowiadająca wybranemu poziomowi mignie kilka razy. Liczba mignięć określa procent wykonanych manewrów (razy 10%) w stosunku do ustalonego limitu. Na przykład: przy ustawieniu przypomnienia o konserwacji na L7 a więc 10000, 10% odpowiada 1000 manewrom, jeśli więc odpowiednia dioda mignie 4 razy, oznacza to, że zostało wykonanych 40% manewrów (czyli pomiędzy 4000 i 4999) Jeśli nie zostało jeszcze wykonanych 10% manewrów, nie mignie żadna z diod.
8. Zwolnij przycisk **[Set]**.

11.2) Zerowanie licznika manewrów

Po przeprowadzeniu konserwacji instalacji musisz wyzerować licznik manewrów. Postępuj zgodnie z poniższym opisem.

1. Wciśnij i przytrzymaj przez około 3 sekund przycisk **[Set]**.
2. Zwolnij przycisk **[Set]** kiedy dioda L1 zacznie migać.
3. Wciśnij przyciski **[▲]** lub **[▼]**, aby przesunąć diodę migającą na diodę L7, będącą „diodą wejścia” dla funkcji „Przypomnienie o konserwacji”.
4. Wciśnij i przytrzymaj wciśnięty przycisk **[Set]**. Przycisk **[Set]** musi pozostać wciśnięty podczas wykonywania kroków 5 i 6.
5. Odczekaj 3 sekundy, aż zapali się dioda odpowiadająca aktualnemu poziomowi parametru „Przypomnienie o konserwacji”.
6. Wciśnij i przytrzymaj przez minimum 5 sekund przyciski **[▲]** i **[▼]**, następnie zwolnij oba przyciski. Dioda odpowiadająca wybranemu poziomowi mignie szybko kilka razy, co będzie oznaczało, że licznik manewrów został wyzerowany.
7. Zwolnij przycisk **[Set]**.

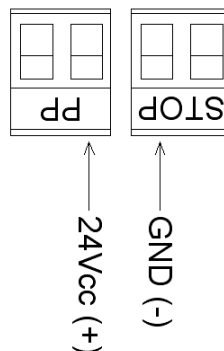
12) Historia anomalii

SOON pozwala na wizualizację anomalii, które wystąpiły w czasie ostatnich 8 manewrów, np. zatrzymanie manewru ze względu na zadziałanie fotokomórki lub zabezpieczającej listwy krawędziowej. W celu sprawdzenia historii anomalii należy wykonać następujące kroki.

1. Wciśnij i przytrzymaj przez około 3 sekund przycisk **[Set]**.
2. Zwolnij przycisk **[Set]** kiedy dioda L1 zacznie migać.
3. Wciśnij przyciski **[▲]** lub **[▼]**, aby przesunąć diodę migającą na diodę L8, będącą „diodą wejścia” dla funkcji „Historia anomalii”.
4. Wciśnij i przytrzymaj wciśnięty przycisk **[Set]**. Przycisk **[Set]** musi pozostać wciśnięty podczas wykonywania kroków 5 i 6.
5. Odczekaj około 3 sekund. Po tym czasie zapalą się diody odpowiadające manewrom, podczas których wystąpiły anomalie. Dioda L1 odpowiada ostatnio wykonanemu manewrowi, natomiast dioda L8 odpowiada ósmemu manewrowi od końca. Jeśli dioda pali się, oznacza to, że w czasie manewru wystąpiły anomalie, jeśli dioda jest zgaszona oznacza to, że manewr przebiegł bez zakłóceń.
6. Wciśnij przyciski **[▲]** i **[▼]**, aby wybrać żądany manewr - odpowiadająca mu dioda mignie tyle razy ile normalnie miga lampa ostrzegawcza w chwili wystąpienia anomalii.
7. Zwolnij przycisk **[Set]**.

13) Podłączenie pozostałych urządzeń

Jeśli istnieje konieczność zasilania urządzeń zewnętrznych, np. czytnika kart zbliżeniowych lub światelka przelącznika na klucz, można pobrać zasilanie tak jak wskazano to na Rys. 12. Napięcie zasilania wynosi 24Vcc -30% ÷ +50% przy maksymalnym dostępnym prądzie 100mA.



14) Informacje dodatkowe: funkcje specjalne

14.1) Funkcja "Zawsze otwórz"

Funkcja "Zawsze otwórz" pozwala na sterowanie poleceniem otwarcia, kiedy polecenie "Krok po kroku" trwa ponad 2 sekundy. Jest to przydatne np. kiedy do zacisku "Krok po kroku" podłączamy styk zegara programującego tak aby w pewnych godzinach brama pozostawała cały czas otwarta. Opcja ta jest zachowana przy każdym programowaniu wejścia Krok po kroku, za wyjątkiem programowania w trybie "Zespół Mieszkalny 2". Patrz "Funkcja Krok po kroku" w Tabeli 4.

14.2) Funkcja "Wykonaj manewr mimo wszystko"

W przypadku błędnego działania lub uszkodzenia jednego z urządzeń zabezpieczających, jest możliwe sterowanie bramą w trybie "W obecności operatora". Więcej informacji na ten temat znajdziesz w punkcie "Sterowanie przy niesprawnych urządzeniach zabezpieczających" znajdującym się w załączniku "Zalecenia i środki ostrożności skierowane do użytkownika siłownika SOON".

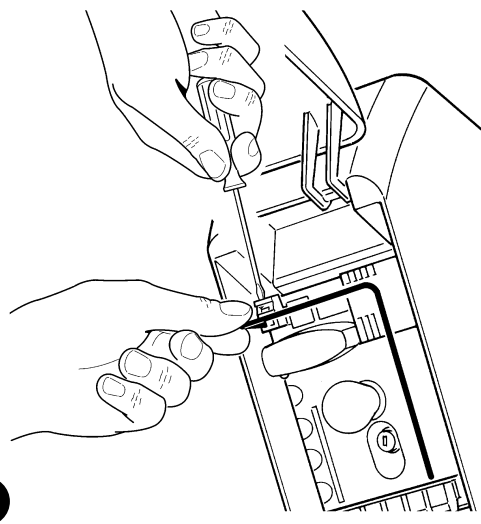
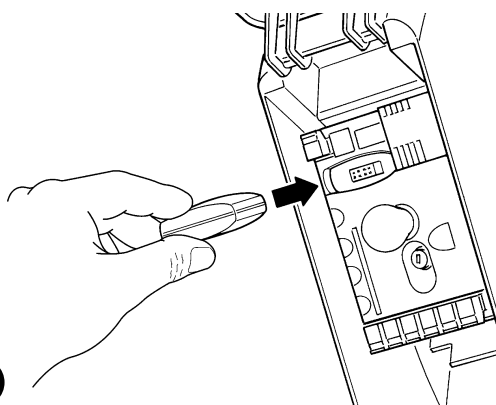
15) Działanie automatyki przy użyciu nadajnika i radiodbiornika typu "SM"

W centrali znajduje się złącze przeznaczone do instalacji Radiodbiornika z wtykiem typu "SM" (Rys.13) w celu sterowania automatyką za pomocą nadajnika (odbiornik i nadajnik stanowią akcesoria opcjonalne). Cztery Wyjścia Odbiornika pozwalają na przekazanie do Centrali następujących poleceń:

Jeśli nie jest stosowana antena wbudowana w LUCYB lub inny typ zewnętrznej anteny, do zacisku anteny należy przykręcić sztywny kabelek znajdujący się na wyposażeniu odbiornika (Rys.14)

Tabela 6: Polecenia dla odbiornika SMXI, SMXIS

Wyjście N. 1	Polecenie "Krok po Kroku"
Wyjście N. 2	Polecenie "Otwarcie częściowe"
Wyjście N. 3	Polecenie "Otwiera"
Wyjście N. 4	Polecenie "Zamyka"



16) Automatyczna kontrola i diagnostyka nieprawidłowego działania

Podczas regularnego działania Centrala stale kontroluje procesy automatyki i może sygnalizować wystąpienie ewentualnych anomalii przy pomocy wcześniej ustalonych sekwencji mignięć wydawanych przez lampę ostrzegawczą, światelko nocne i "Diodę BlueBUS" (mignięcia diagnostyczne odnoszą się zawsze do ostatniej czynności wykonanej przez SOON). Poszczególnym przyczynom wystąpienia anomalii odpowiada różna liczba mignięć, tak jak przedstawiono to w następującej tabeli:

Tabela 7: Sygnalizacja diagnostyczna

Liczba mignięć	Przyczyna
1	Błąd synchronizacji BlueBUS
2	Zadziałanie Fotokomórki lub błąd Fototestu
3	Zbyt mała siła siłownika lub wykryta przeszkoda w czasie manewru
4	Interwencja urządzeń STOP
5	Błąd w parametrach pamięci
6	Interwencja wewnętrznego ogranicznika manewrów
7	Błąd w obwodach zasilania siłownika
8	Przeciążenie obwodów siłownika

17) Co robić gdy... (Poradnik - rozwiązywanie problemów)

Jest to krótki poradnik dotyczący rozwiązywania najczęściej występujących problemów podczas montażu i programowania automatyki.

• **...nie można wykonać żadnego manewru, a dioda "BlueBUS" nie miga**

- Upewnij się czy do siłownika SOON dochodzi zasilanie z sieci o napięciu 230V. Sprawdź się czy nie zadziałały bezpieczniki F1 i F2. Jeśli zadziałały, musisz znaleźć przyczynę uszkodzenia i wymienić bezpieczniki na nowe o tych samych właściwościach i wartości prądu

• **...nie można wykonać żadnego manewru a lampa ostrzegawcza jest zgaszona**

- Upewnij się czy centrala rzeczywiście otrzymuje polecenie. Potwierdzeniem dotarcia polecenia do wejścia Krok po kroku jest zapalenie się odpowiedniej diody "Krok po kroku". W przypadku stosowania nadajnika, dioda "BlueBUS" musi mignąć szybko dwa razy.

• **...manewr nie rozpoczyna się a światelko nocne miga kilka razy**

- Policz liczbę mignięć i sprawdź w Tabeli xx co oznaczają

• **...podczas manewru jest wykonywany krótki ruch w przeciwną stronę**

- Wybrana siła może być zbyt niska do ruszenia bramy. Upewnij się czy nie występują żadne przeszkody i ewentualnie wybierz wyższą siłę.

- Sprawdź czy zadziałało urządzenie zabezpieczające podłączone do wejścia STOP.

• **...manewr jest wykonywany, ale urządzenie podłączone do wyjścia FLASH nie działa**

- Upewnij się czy urządzenie podłączone do wyjścia FLASH to urządzenie, które zostało zaprogramowane.

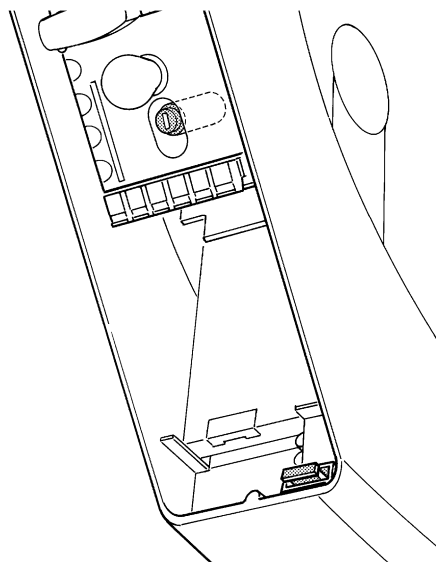
- Upewnij się czy w czasie gdy urządzenie powinno być zasilane, na zacisku tego urządzenia rzeczywiście jest napięcie. Jeśli napięcie jest, problem występuje po stronie urządzenia i musisz je zastąpić innym o identycznych właściwościach. Jeśli jednak brak napięcia, oznacza to przeciążenie elektryczne na wyjściu. Upewnij się czy nie ma zwarcia na przewodzie.

• **...podczas procedury programowania pozycji migają szybko dioda L1 lub L8**

- Oznacza to, że została przekroczona maksymalna pozycja otwarcia (miga szybko L1) lub zamknięcia (miga szybko L8).

- Jeśli miga dioda L1 przeprowadź manewr zamknięcia, aż do momentu kiedy L1 przestanie szybko migać. Następnie zdejmij siłownik SOON z wału sprężynowego, ustaw bramę w pozycji maksymalnego otwarcia i ponownie zamontuj siłownik SOON w tej pozycji.

- Jeśli miga dioda L8, przeprowadź manewr otwarcia, dopóki L8 nie przestanie szybko migać. Następnie zdejmij siłownik SOON z wału sprężynowego, ustaw bramę w pozycji maksymalnego zamknięcia i ponownie zamontuj siłownik SOON w tej pozycji.



15

PL

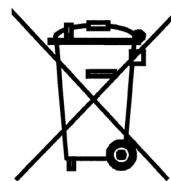
18) Utylizacja

Podobnie jak w przypadku montażu, również czynności związane z demontażem muszą być wykonane przez wykwalifikowany personel techniczny. Produkt ten składa się z różnego rodzaju materiałów, niektóre z nich mogą być powtórnie użyte, inne muszą zostać poddane utylizacji. Zasięgnij informacji odnośnie systemów recyklingu i utylizacji, przewidzianych zgodnie z lokalnymi przepisami obowiązującymi dla tej kategorii produktu.

⚠ Niektóre elementy produktu mogą zawierać substancje szkodliwe lub niebezpieczne, które po wyrzuceniu, mogłyby zaszkodzić środowisku lub zdrowiu ludzkiemu.

Zgodnie ze wskazaniem symbolu na rys. 16, zabrania się wyrzucania tego produktu do odpadów domowych. Należy przeprowadzić "segregację odpadów" na potrzeby utylizacji, według metod przewidzianych lokalnymi przepisami lub zwrócić produkt sprzedawcy podczas zakupu nowego, równorzędnego produktu.

⚠ Lokalne przepisy mogą przewidywać poważne sankcje w przypadku nielegalnej utylizacji produktu.



16

Dichiarazione CE di conformità / EC Declaration of Conformity

Dichiarazione CE di conformità secondo Direttiva 98/37/CE, Allegato II, parte B (dichiarazione CE di conformità del fabbricante)

EC Declaration of Conformity according to Directive 98/37/EC, Annex II, part B

Numero / *Number*: 245/SOON

Revisione / *Revision*: 0

Il sottoscritto Lauro Buoro in qualità di Amministratore Delegato, dichiara sotto la propria responsabilità che il prodotto:

The undersigned Lauro Buoro, managing director, declares under his sole responsibility that the following product:

Nome produttore / <i>Manufacturer's name</i> :	NICE s.p.a.
Indirizzo / <i>Address</i> :	Via Pezza Alta 13, 31046 Z.I. Rustignè, Oderzo (TV) Italia
Tipo / <i>Type</i> :	Motoriduttore elettromeccanico 24Vcc. con centrale incorporata 24Vcc <i>electromechanical gearmotor with incorporated control unit</i>
Modelli / <i>Models</i> :	SO2000
Accessori / <i>Accessories</i> :	SMXI, SMXIS, ONEXI PS124

Risulta conforme a quanto previsto dalla direttiva comunitaria:

Satisfies the essential requirements of the following Directives:

- 98/37/CE (89/392/CEE modificata) DIRETTIVA 98/37/CE DEL PARLAMENTO EUROPEO E DEL CONSIGLIO del 22 giugno 1998 concernente il ravvicinamento delle legislazioni degli Stati membri relative alle macchine
Secondo Allegato II, parte B (dichiarazione CE del fabbricante)
*98/37/EC (89/392/EEC amended); DIRECTIVE 98/37/EC OF THE EUROPEAN PARLIAMENT AND COUNCIL of 22 June 1998 regarding the approximation of member state legislation related to machinery
Conformity according to Directive EC, Annex II, part B*

Come previsto dalla direttiva 98/37/CE si avverte che non è consentita la messa in servizio del prodotto sopra indicato finché la macchina, in cui il prodotto è incorporato, non sia stata identificata e dichiarata conforme alla direttiva 98/37/CE.

As envisaged in the directive 98/37/EC, start-up of the product specified above is not admitted unless the machine, in which the product is incorporated, has been identified and declared as conforming to directive 98/37/EC.

Inoltre il prodotto risulta conforme a quanto previsto dalle seguenti direttive comunitarie, così come modificate dalla Direttiva 93/68/CEE del consiglio del 22 Luglio 1993:

The product also complies with the requirements of the following EC directives, as amended by Directive 93/68/EEC of the European Council of 22 July 1993:

- 73/23/CEE DIRETTIVA 73/23/CEE DEL CONSIGLIO del 19 febbraio 1973 concernente il ravvicinamento delle legislazioni degli Stati membri relative al materiale elettrico destinato ad essere adoperato entro taluni limiti di tensione
Secondo le seguenti norme armonizzate: EN 60335-1:1994; EN 60335-2-95: 2001.
*73/23/EEC; DIRECTIVE 73/23/EEC OF THE EUROPEAN COUNCIL of 19 February 1973 regarding the approximation of member state legislation related to electrical material destined for use within specific voltage limits
According to the following harmonised standard: EN 60335-1:1994; EN 60335-2-95: 2001.*
- 89/336/CEE DIRETTIVA 89/336/CEE DEL CONSIGLIO del 3 maggio 1989, per il ravvicinamento delle legislazioni degli Stati membri relative alla compatibilità elettromagnetica
Secondo le seguenti norme armonizzate: EN 61000-6-2:2001; EN 61000-6-3:2001+A1:2004
*89/336/EEC; DIRECTIVE 89/336/EEC OF THE EUROPEAN COUNCIL of 3 May 1989, regarding the approximation of member state legislation related to electromagnetic compatibility
According to the following harmonised standards: EN 61000-6-2:2001; EN 61000-6-3:2001+A1:2004*

Inoltre risulta conforme; limitatamente per le parti applicabili, alle seguenti norme / *It also complies, within the constraints of applicable parts, with the following standards:*

EN 60335-1:2002+A1:2004+A11:2004, EN 60335-2-103:2003, EN 13241-1:2003; EN 12453:2002; EN 12445:2002; EN 12978:2003

Oderzo, 9 Maggio 2006
Oderzo, 9 May 2006


Lauro Buoro
(Amministratore Delegato)
(Managing Director)



Nice

Headquarter

Nice SpA

Oderzo TV Italia
Tel. +39.0422.85.38.38
Fax +39.0422.85.35.85
info@niceforyou.com

Nice in Italy

Nice Padova

Sarmeola di Rubano PD Italia
Tel. +39.049.89.78.93.2
Fax +39.049.89.73.85.2
infopd@niceforyou.com

Nice Roma

Roma Italia
Tel. +39.06.72.67.17.61
Fax +39.06.72.67.55.20
inforoma@niceforyou.com

Nice worldwide

Nice France

Buchelay
Tel. +33.(0)1.30.33.95.95
Fax +33.(0)1.30.33.95.96
info@fr.niceforyou.com

Nice Rhône-Alpes

Decines Charpieu France
Tel. +33.(0)4.78.26.56.53
Fax +33.(0)4.78.26.57.53
info@alps.niceforyou.com

Nice France Sud

Aubagne France
Tel. +33.(0)4.42.62.42.52
Fax +33.(0)4.42.62.42.50
infomarseille@fr.niceforyou.com

Nice Belgium

Leuven (Heverlee)
Tel. +32.(0)16.38.69.00
Fax +32.(0)16.38.69.01
info@be.niceforyou.com

Nice España Madrid

Tel. +34.9.16.16.33.00
Fax +34.9.16.16.30.10
info@es.niceforyou.com

Nice España Barcelona

Tel. +34.9.35.88.34.32
Fax +34.9.35.88.42.49
info@es.niceforyou.com

Nice Polska

Pruszków
Tel. +48.22.728.33.22
Fax +48.22.728.25.10
info@pl.niceforyou.com

Nice UK

Chesterfield
Tel. +44.87.07.55.30.10
Fax +44.87.07.55.30.11
info@uk.niceforyou.com

Nice Romania

Cluj Napoca
Tel/Fax +40.264.45.31.27
info@ro.niceforyou.com

Nice Deutschland

Gelnhausen-Hailer
Tel. +49.60.51.91.52-0
Fax +49.60.51.91.52-119
info@de.niceforyou.com

Nice China

Shanghai
Tel. +86.21.575.701.46
+86.21.575.701.45
Fax +86.21.575.701.44
info@cn.niceforyou.com

Nice USA Inc.

Jacksonville, Fl.
Tel. +001.904.786.7133
Fax +001.904.786.7640
info@us.niceforyou.com