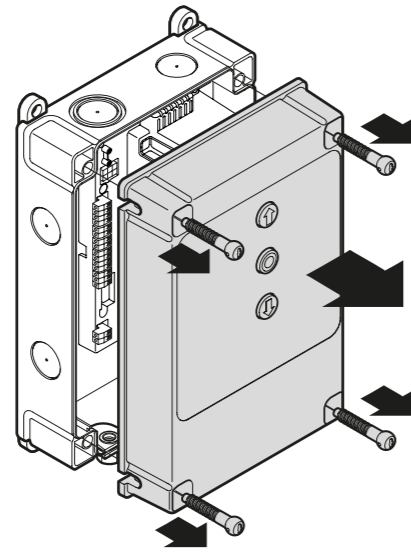
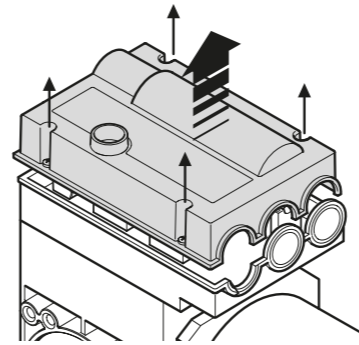


# D-PRO ACTION

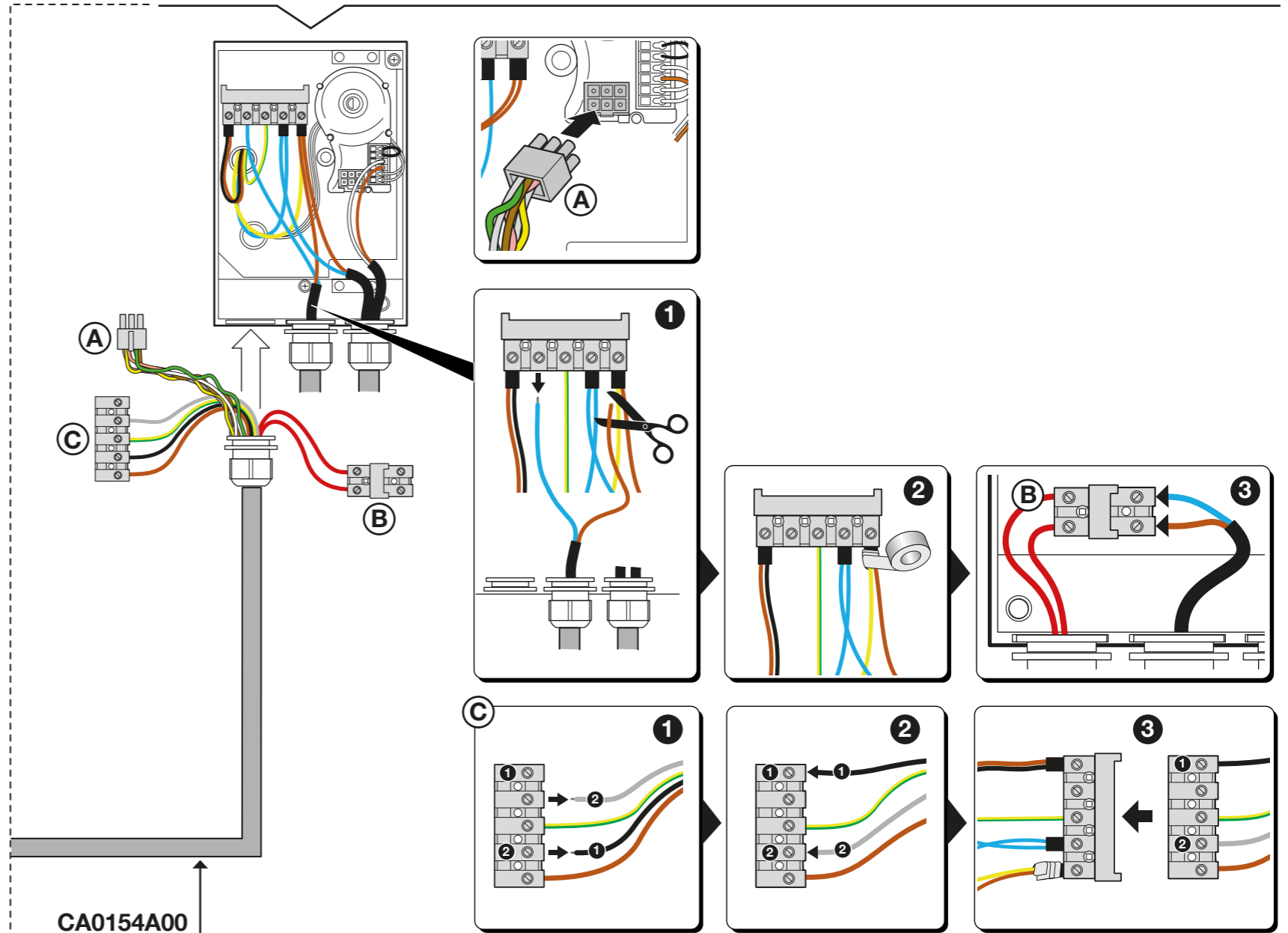
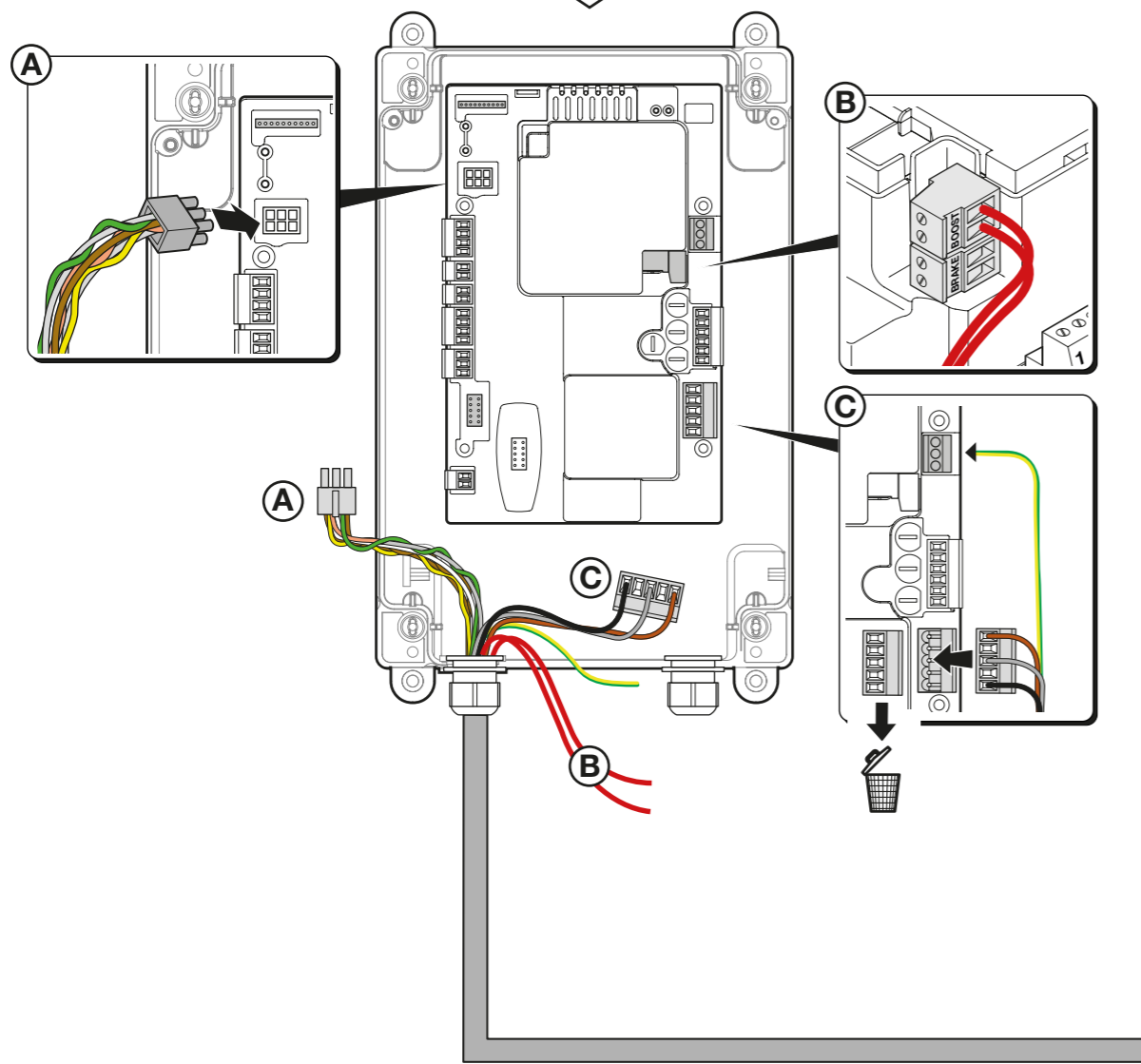


# SW



ISO506A00MM\_29-09-2016

SINGLE-PHASE ~ 230V

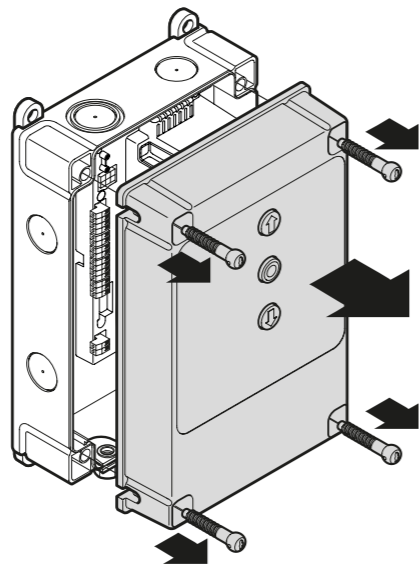


CA0154A00  
CA0155A00  
CA0156A00

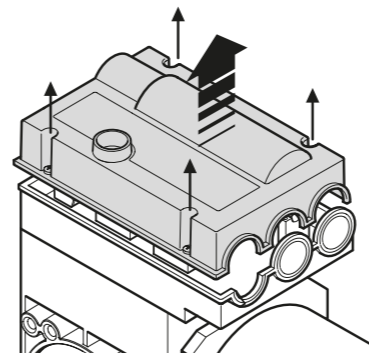


IS0506A00MM\_29-09-2016

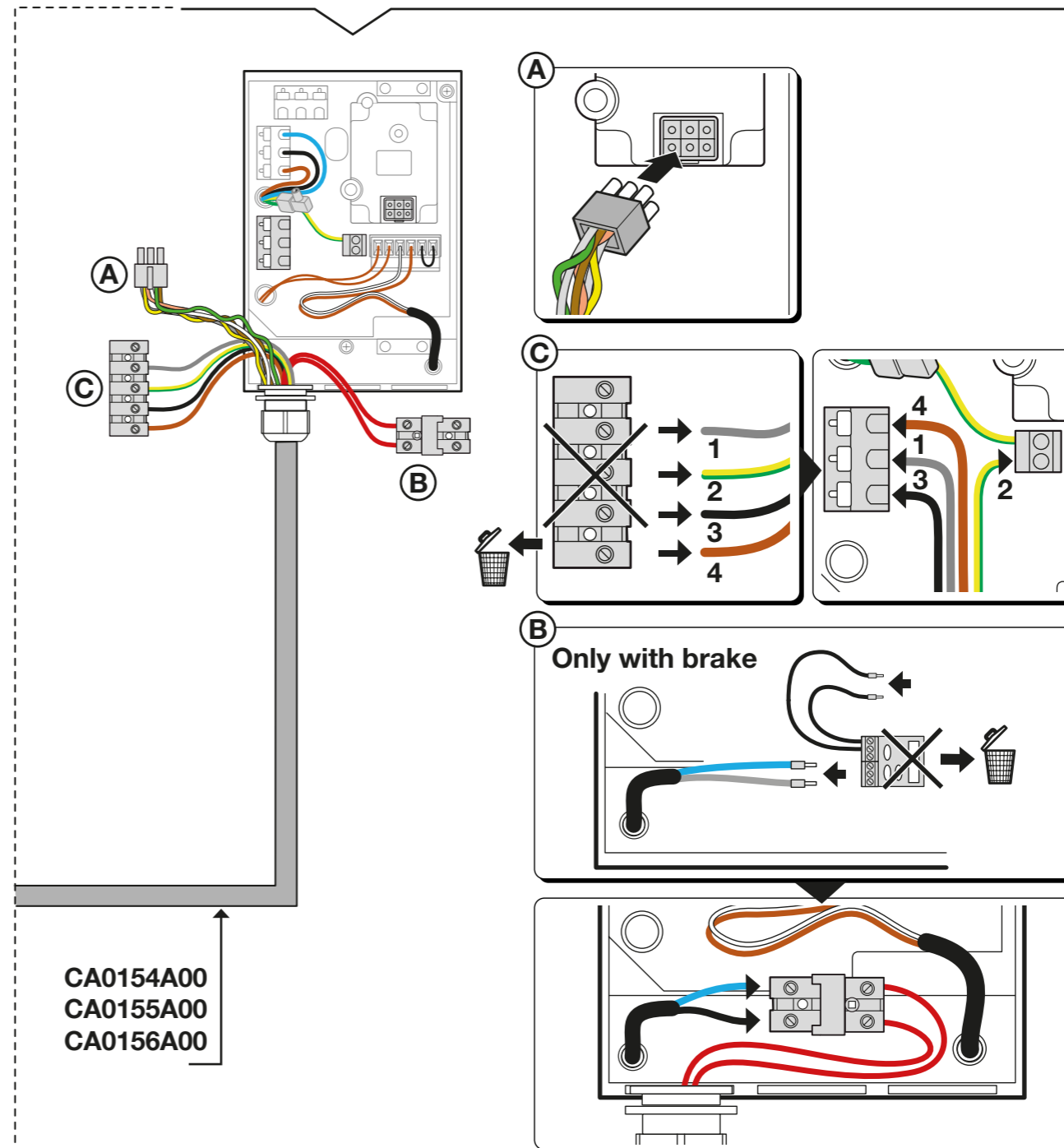
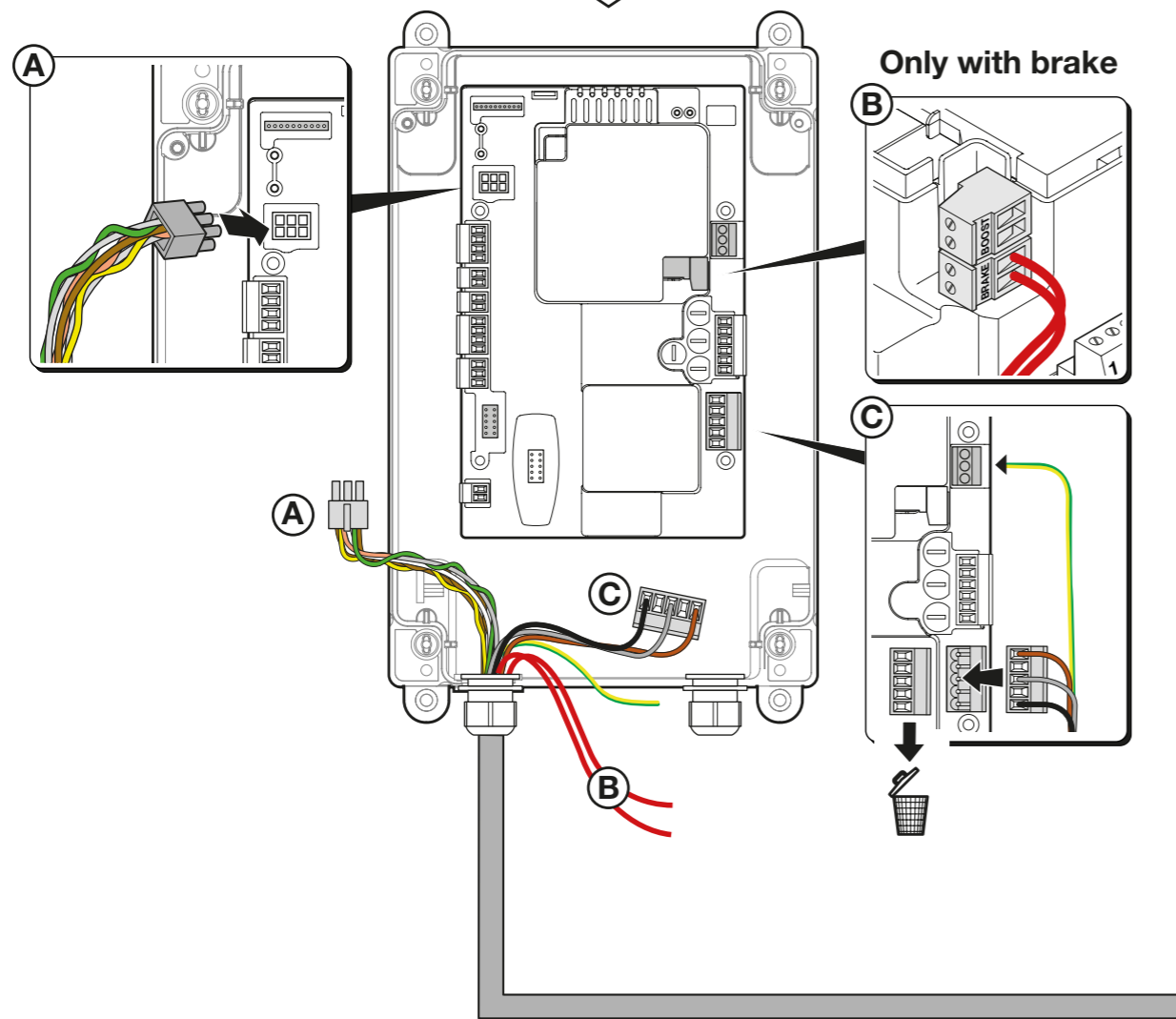
### D-PRO ACTION



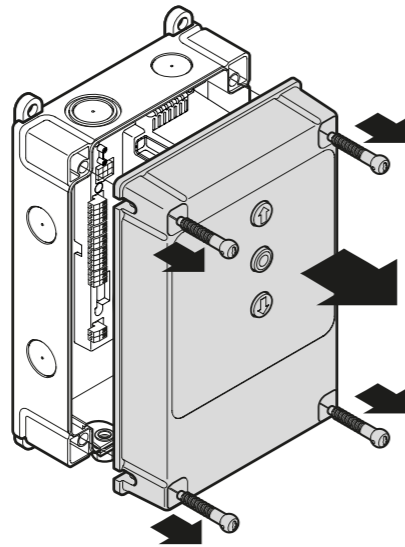
### SD - RD - RDF - HDF



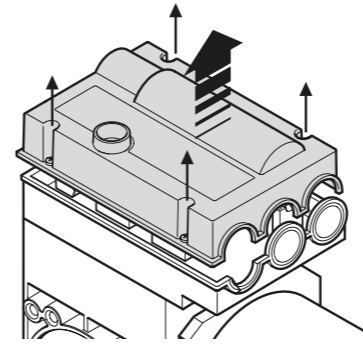
THREE-PHASE 3 ~ 400V  
3 ~ 230V



# D-PRO ACTION

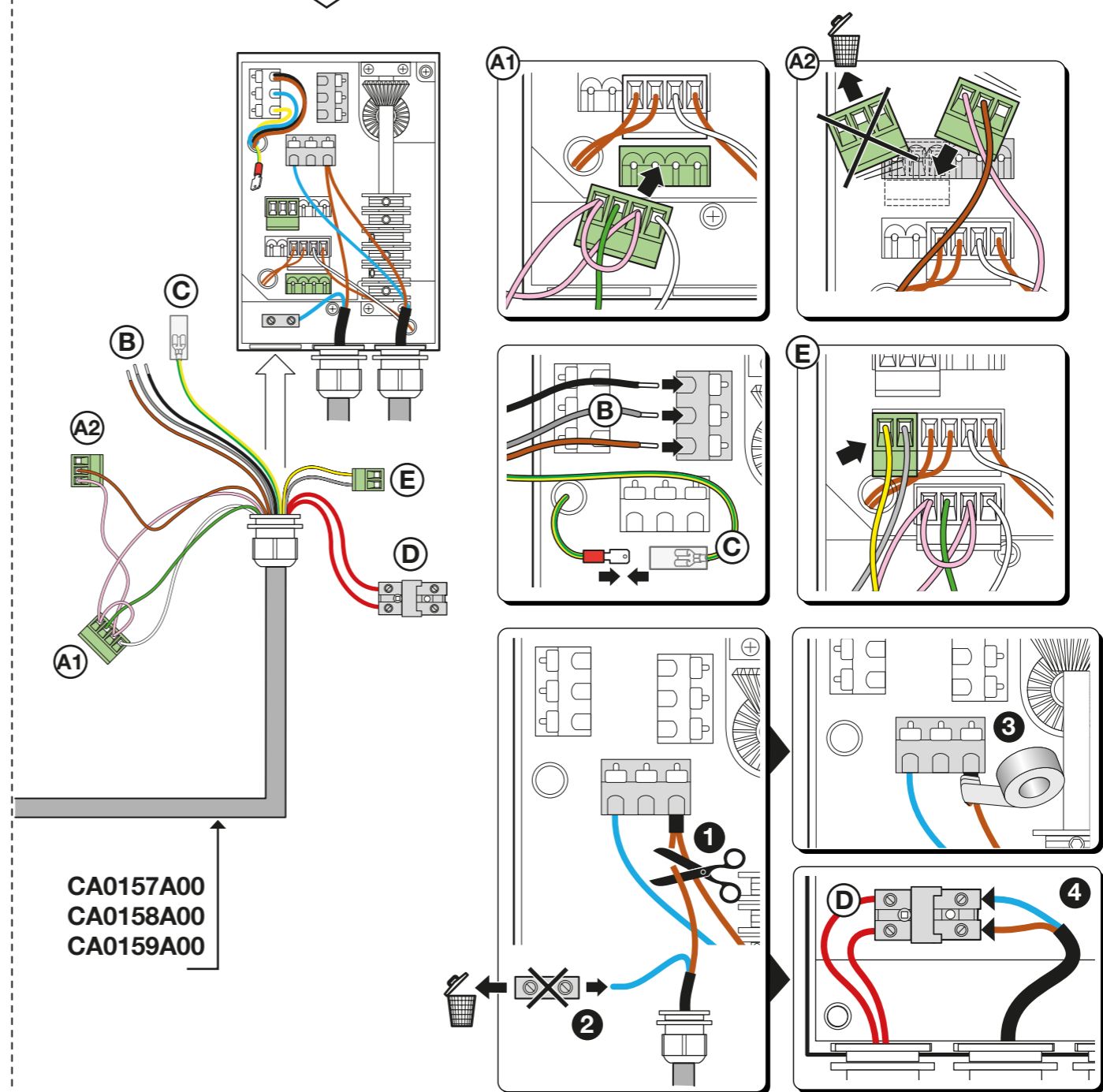
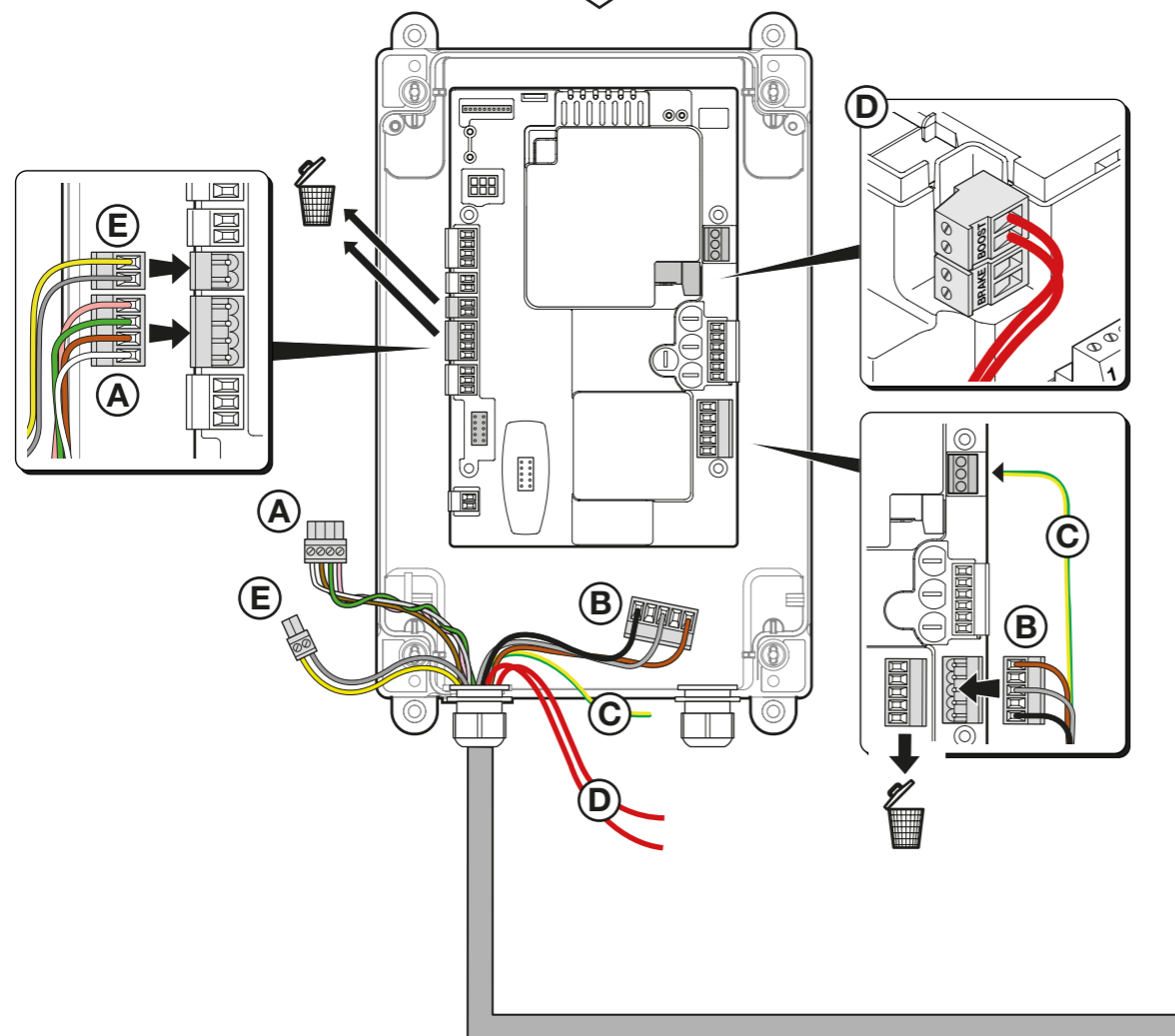


# SW



IS0506A00MM\_29-09-2016

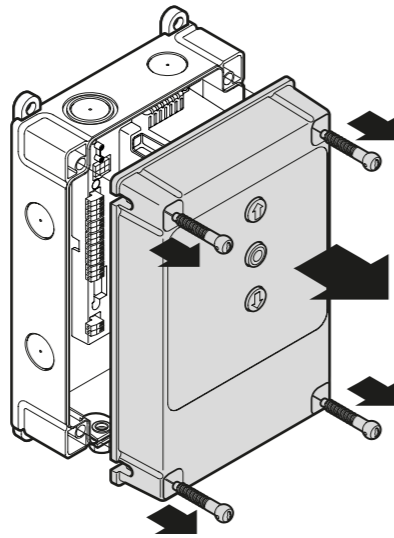
SINGLE-PHASE ~ 230V



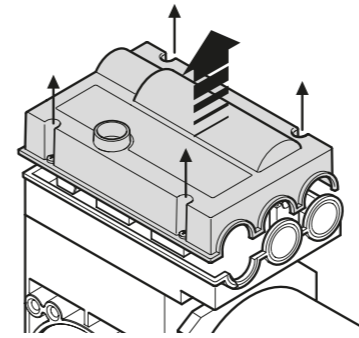


IS0506A00MM\_29-09-2016

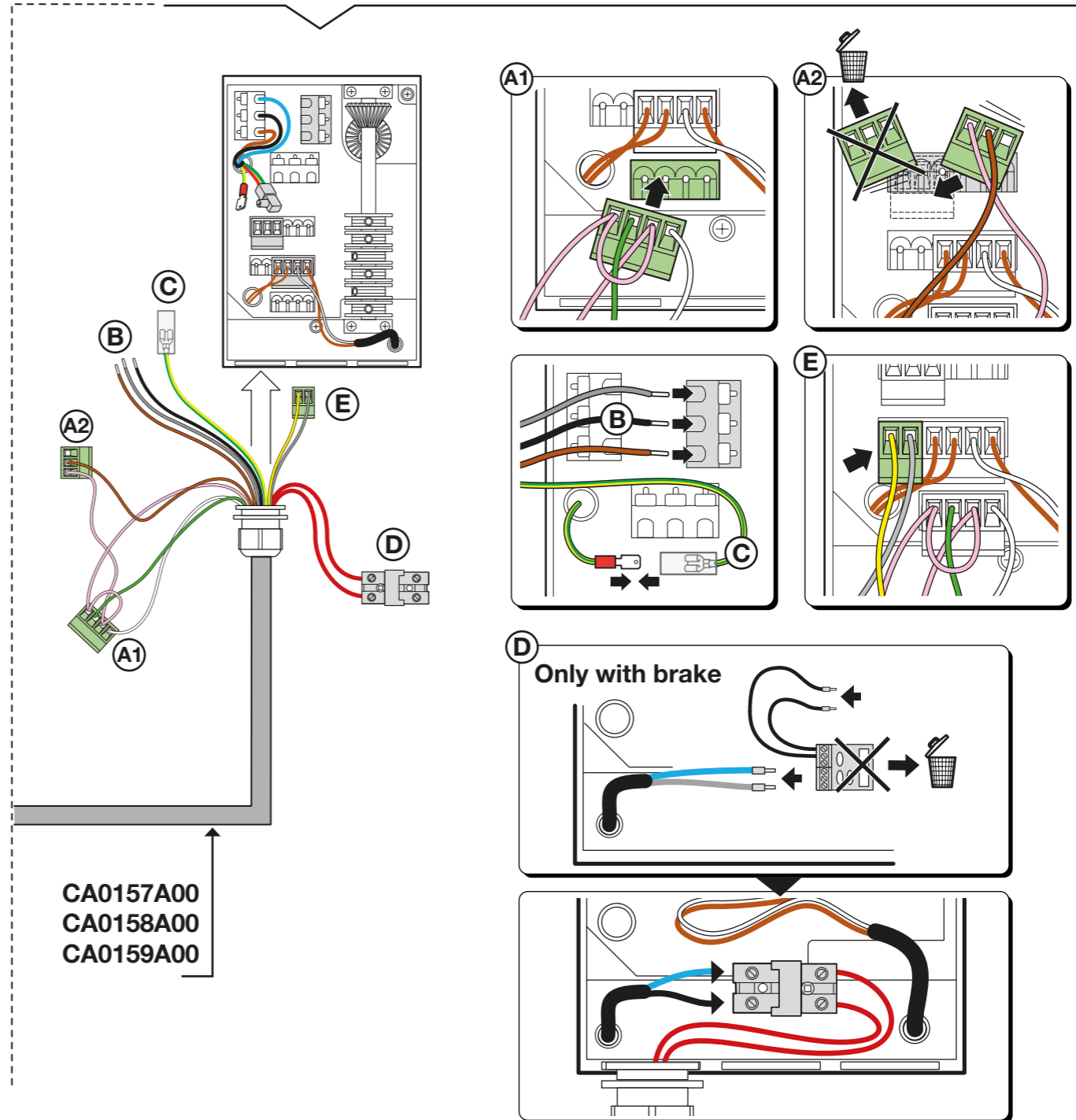
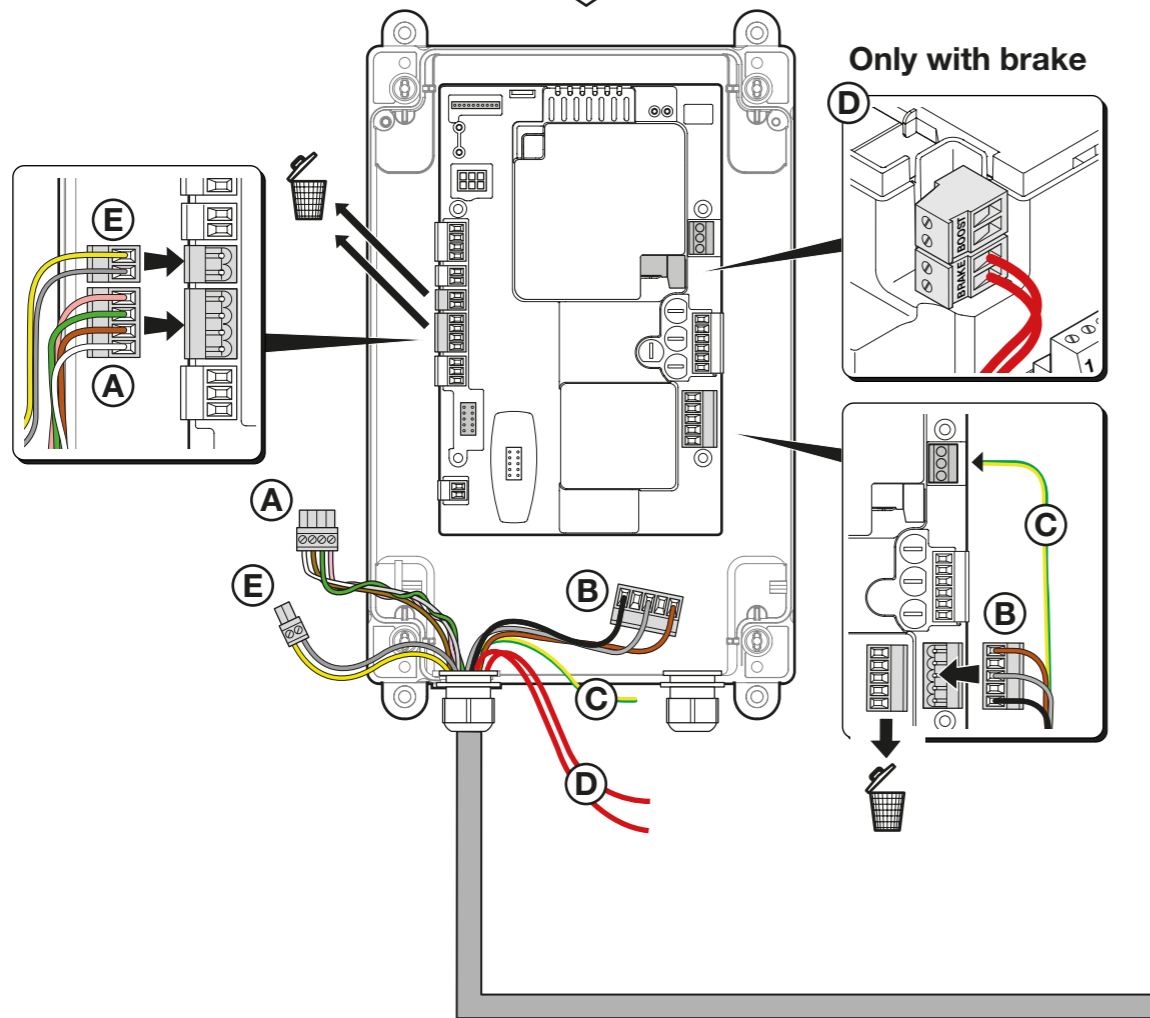
### D-PRO ACTION



### SD - RD - RDF - HDF



THREE-PHASE 3 ~ 400V  
3 ~ 230V



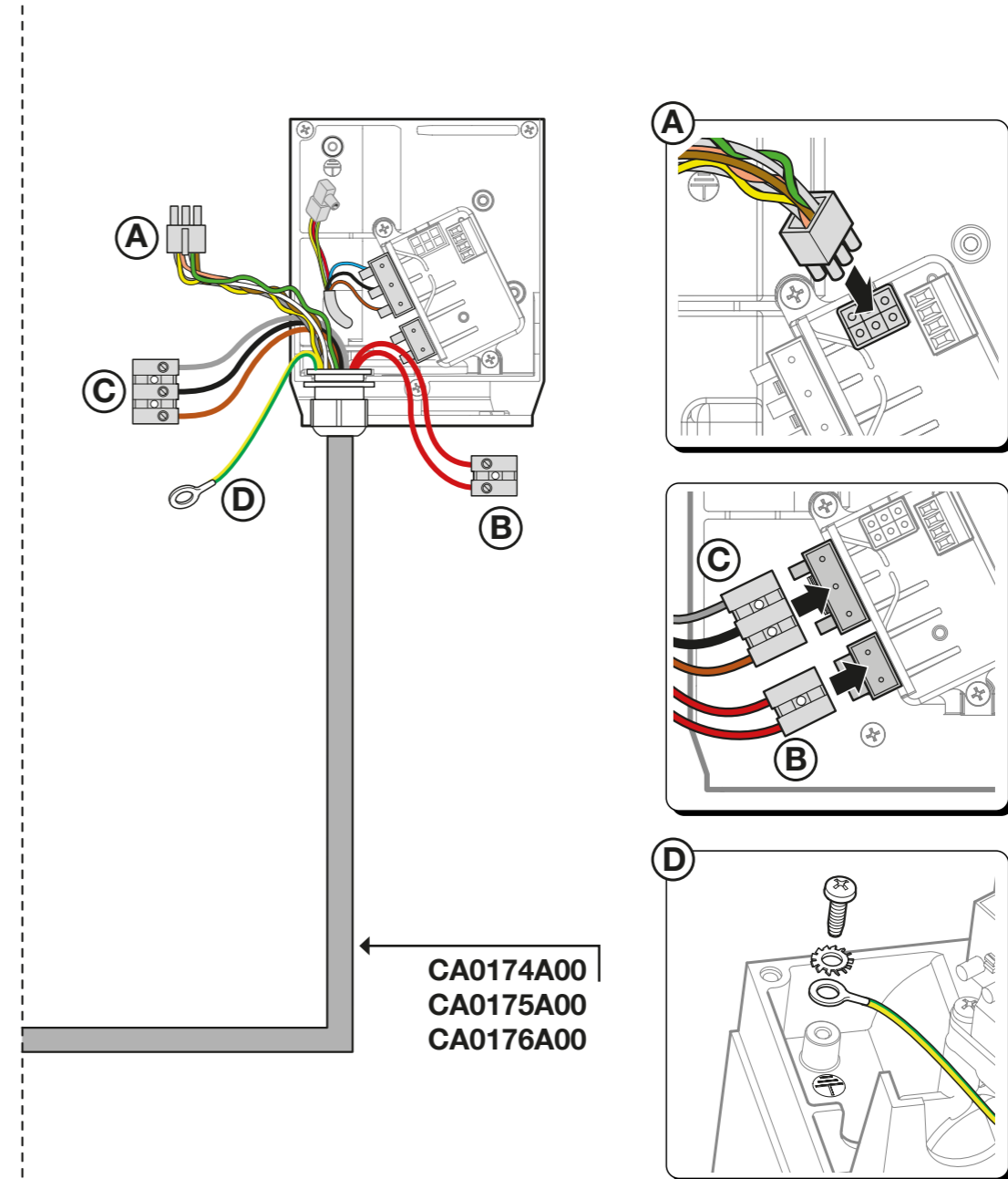
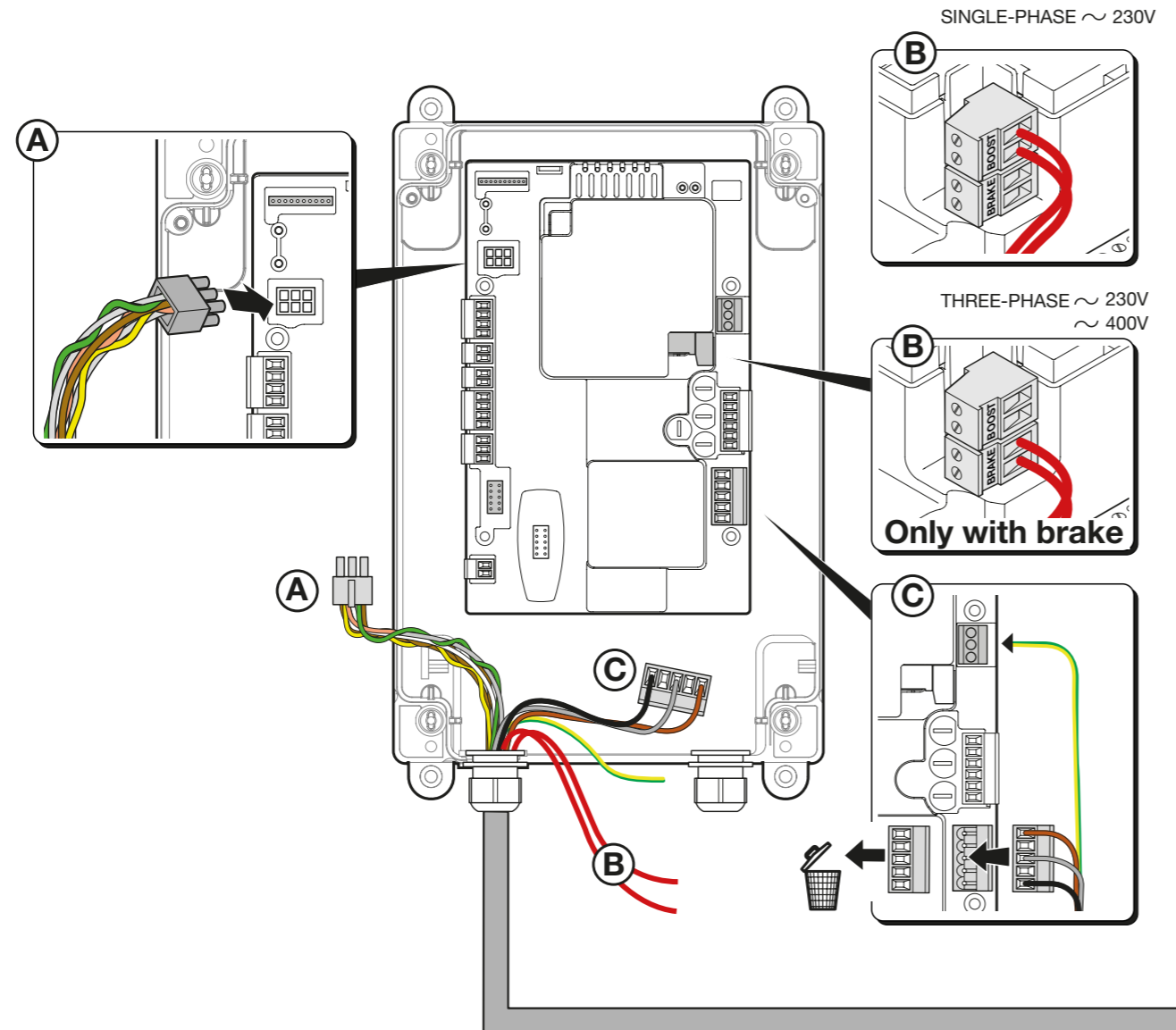
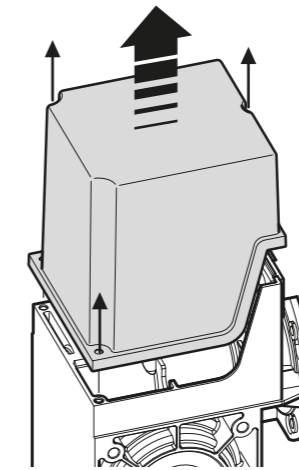
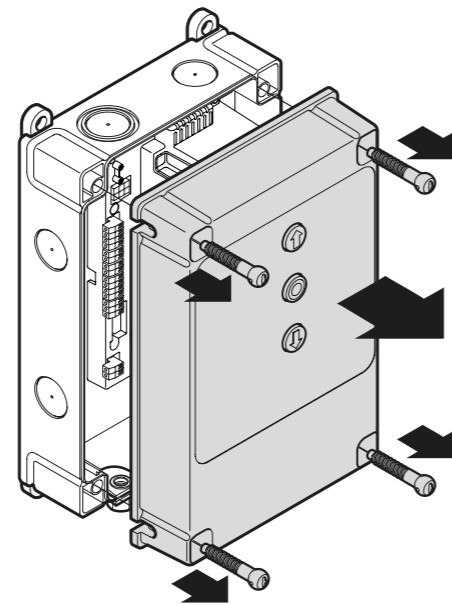
# D-PRO ACTION

# SWN - SDN - RDFN - RDN - HDFN



IS0506A00MM\_29-09-2016

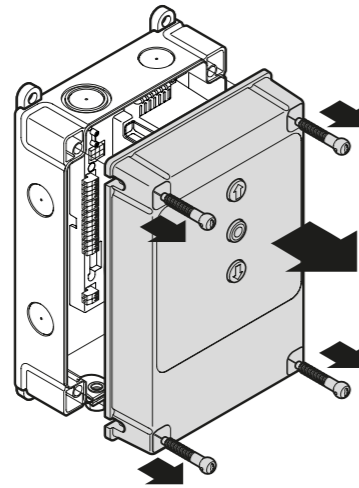
SINGLE-PHASE ~ 230V  
 THREE-PHASE 3 ~ 400V  
 3 ~ 230V





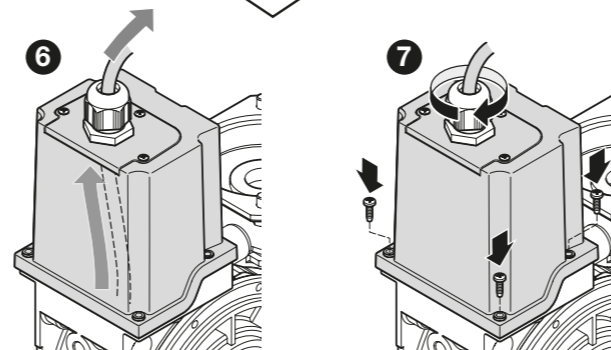
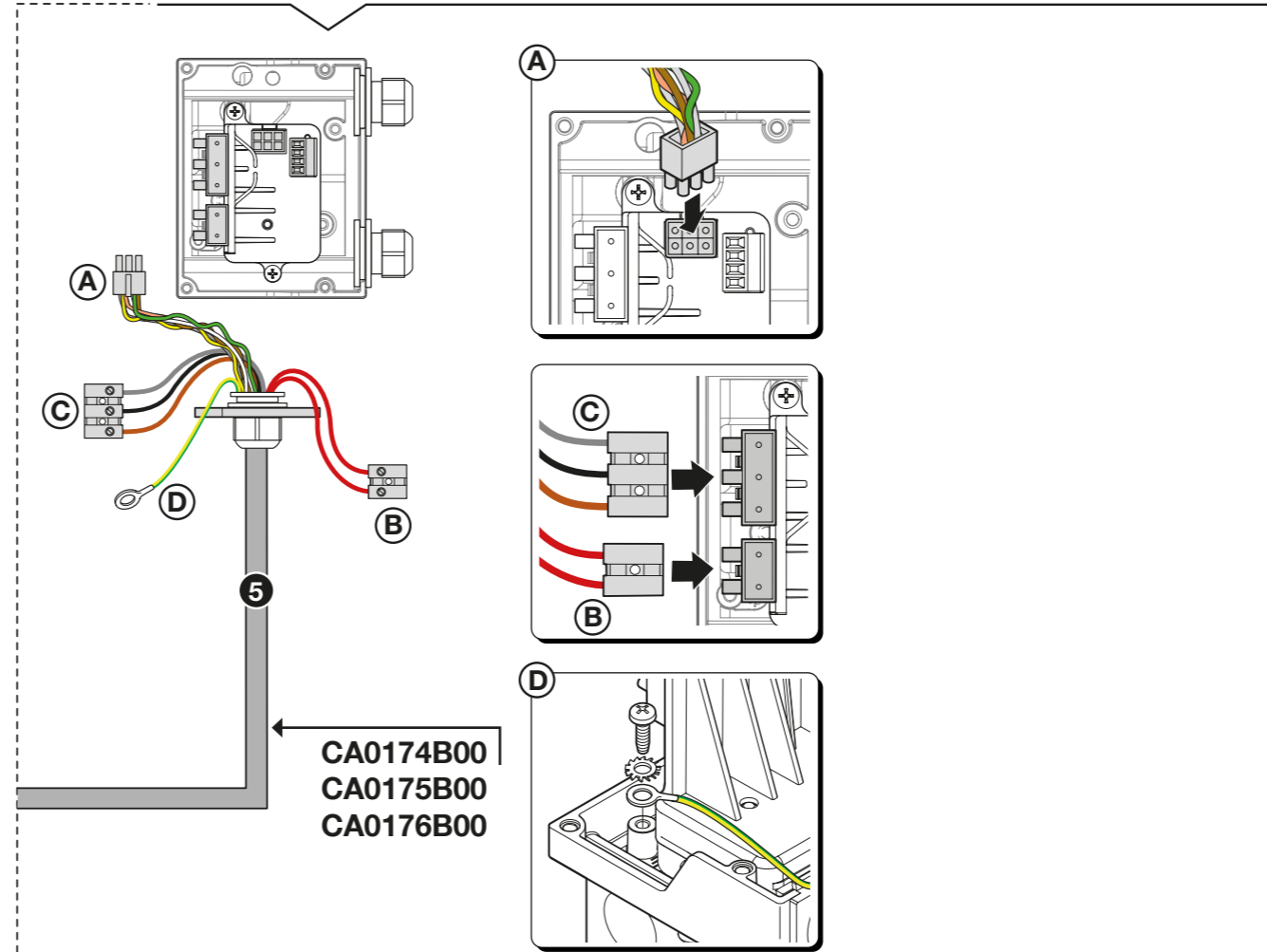
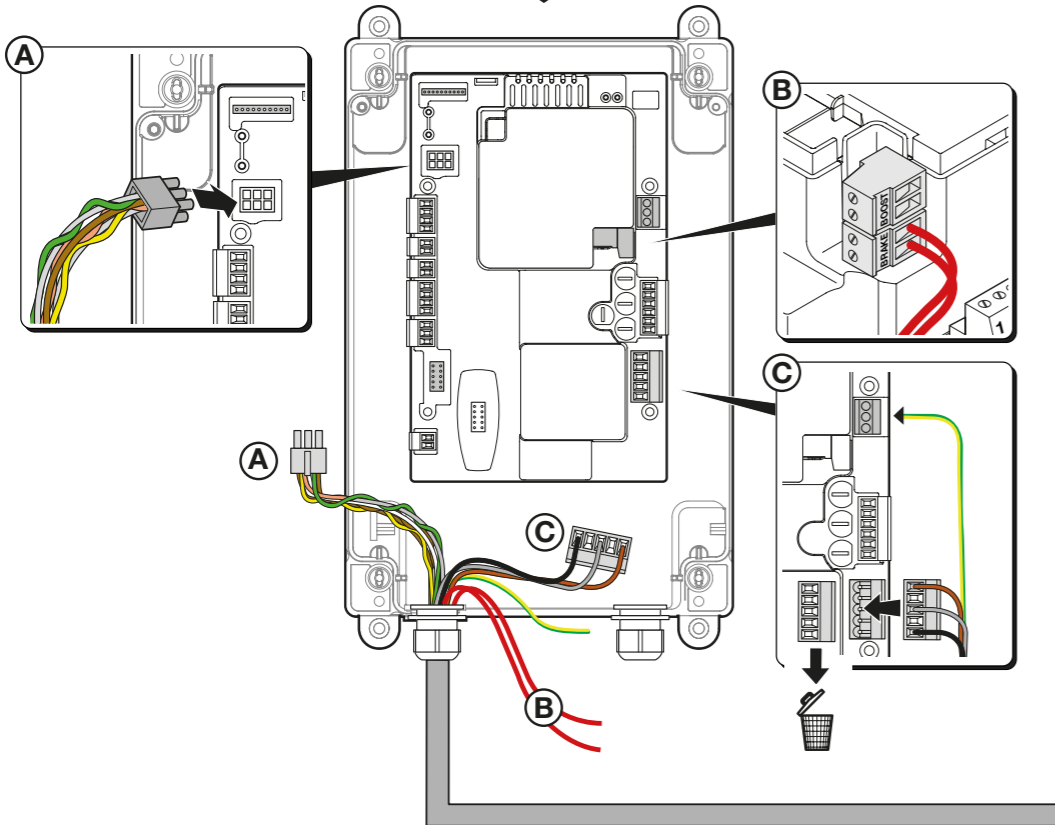
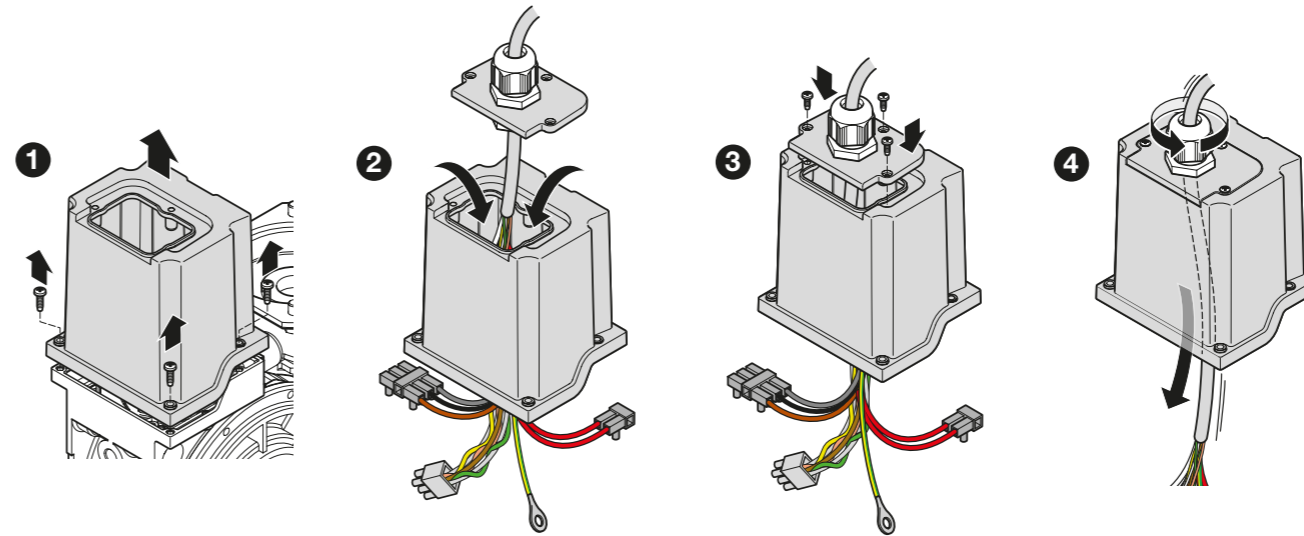
ISO506A00MM\_29-09-2016

### D-PRO ACTION

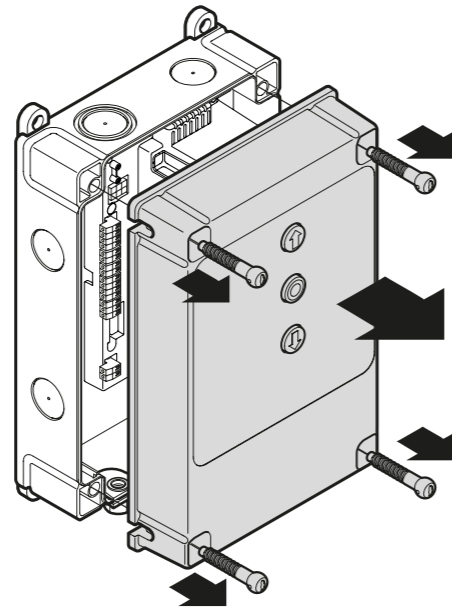


THREE-PHASE 3 ~ 400V  
3 ~ 230V

### RDFN - RDN - HDFN

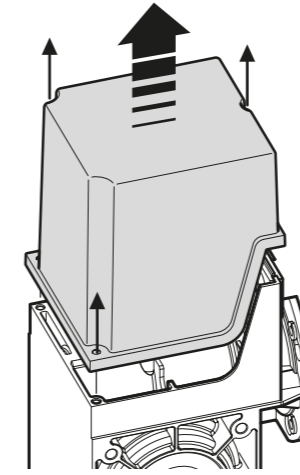


# D-PRO ACTION

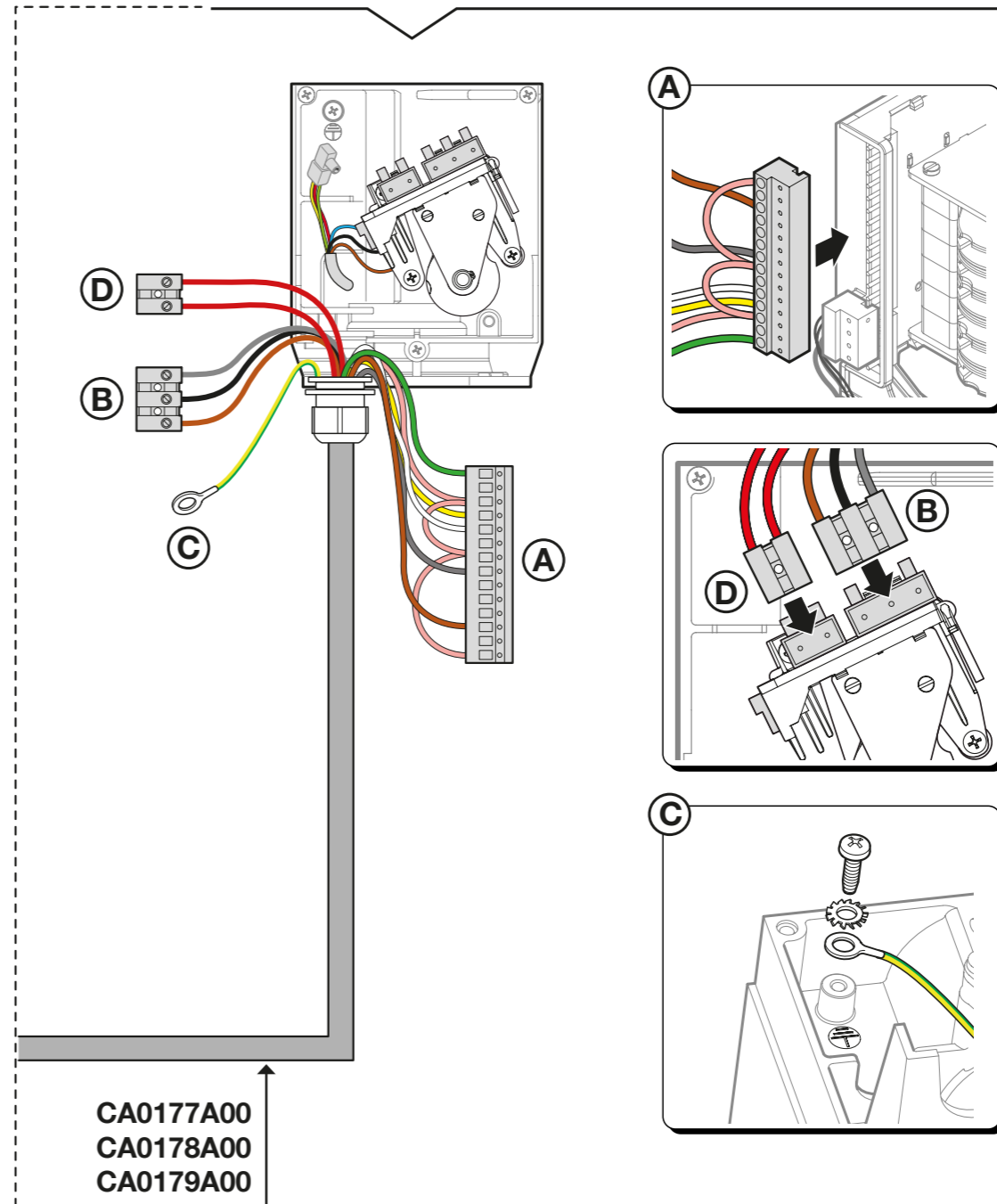
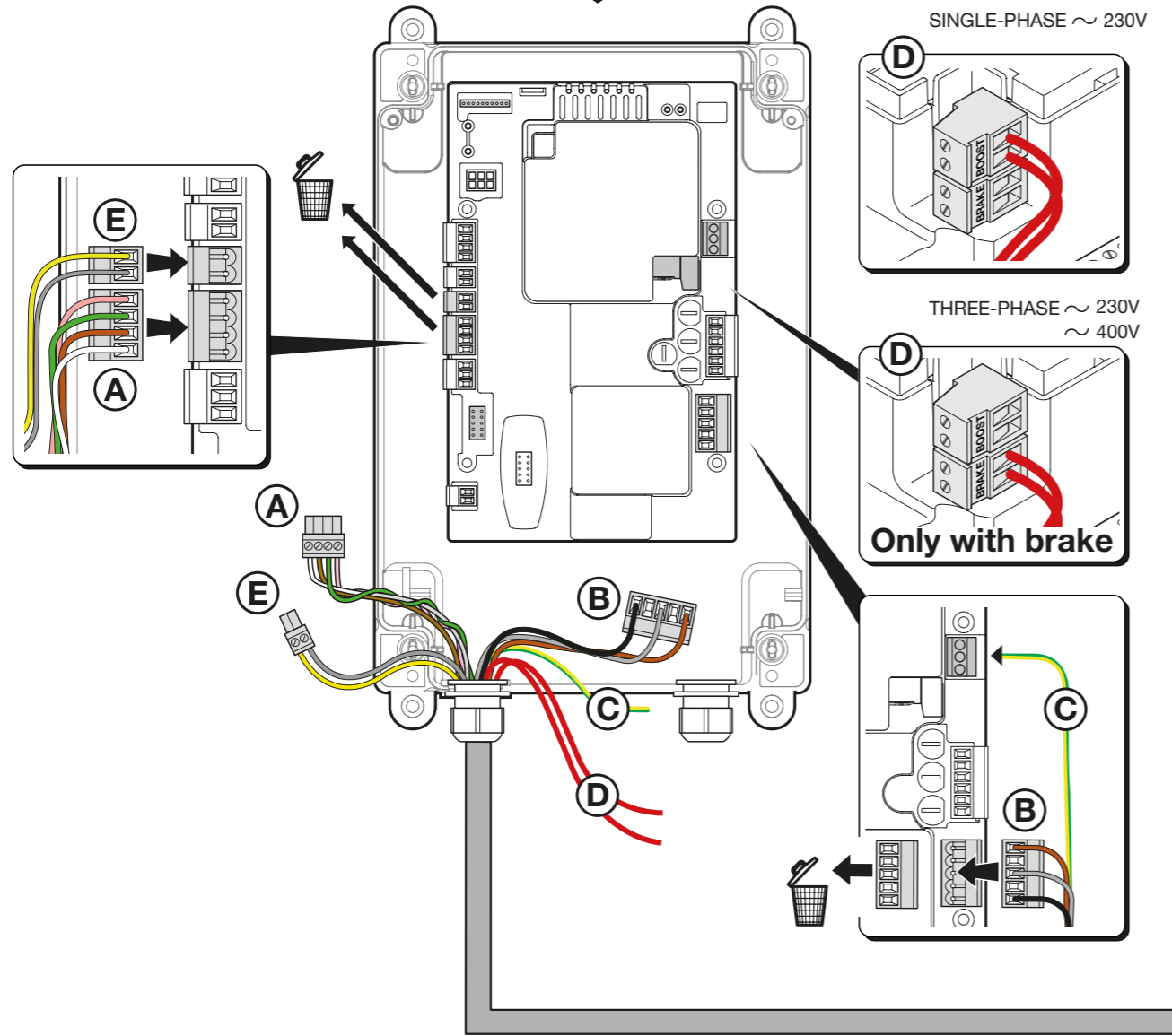


SINGLE-PHASE ~ 230V  
 THREE-PHASE 3 ~ 400V  
 3 ~ 230V

# SWN - SDN - RDFN - RDN - HDFN



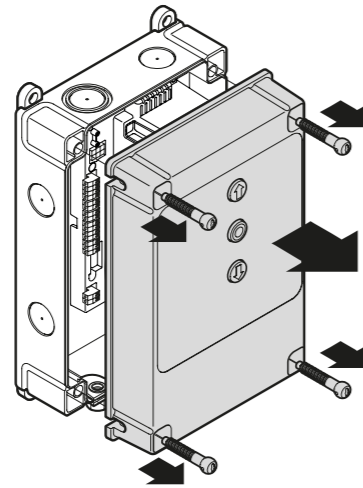
ISO506A00MM\_29-09-2016



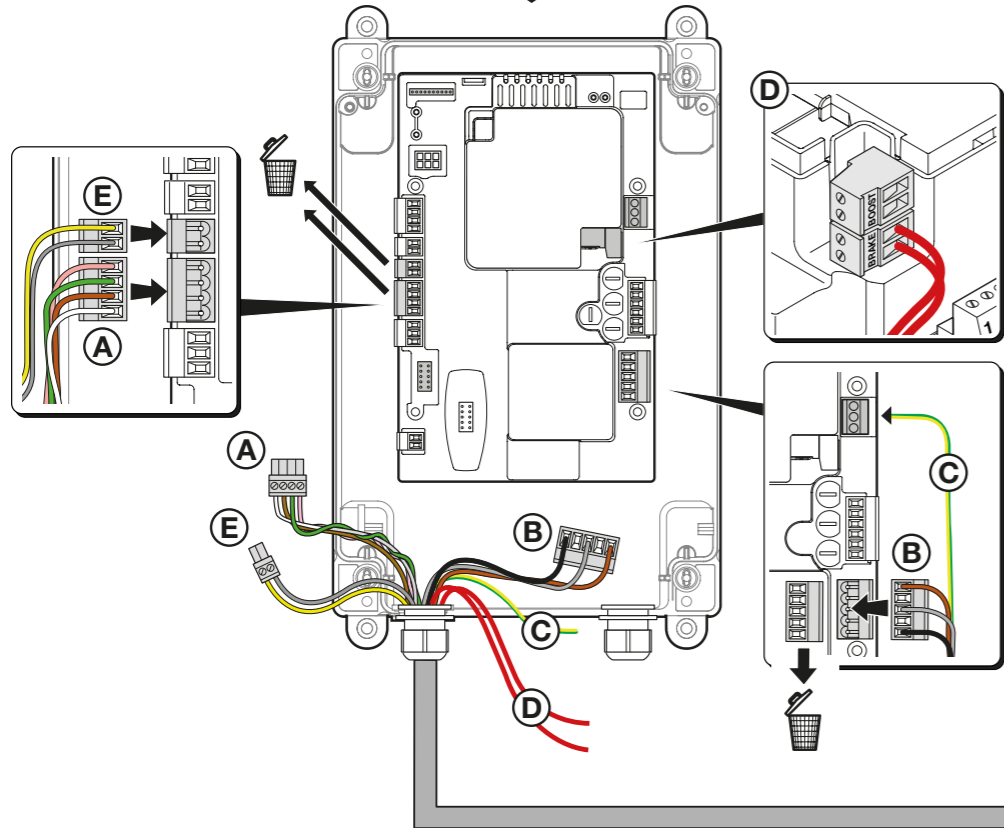


IS0506A00MM\_29-09-2016

### D-PRO ACTION



THREE-PHASE 3 ~ 400V  
3 ~ 230V



### RDFN - RDN - HDFN

