

E EASYPLUS M 817 SH
E EASYPLUS M 1517 SH
E EASYPLUS M 3017 SH



Tubular motor

EN - Instructions and warnings for installation and use

IT - Istruzioni ed avvertenze per l'installazione e l'uso

FR - Instructions et avertissements pour l'installation et l'utilisation

ES - Instrucciones y advertencias para la instalación y el uso

DE - Installierungs-und Gebrauchsanleitungen und Hinweise

PL - Instrukcje i ostrzeżenia do instalacji i użytkowania

NL - Aanwijzingen en aanbevelingen voor installatie en gebruik

Complete Manual

Note for reading this Manual – Some of the figures referred to in the text appear at the end of the manual.

1 WARNINGS AND GENERAL PRECAUTIONS FOR SAFETY

- **Attention! – Important safety instructions: keep these instructions.**
- **Attention! – It is important to follow these instructions to ensure safety. Therefore, read this manual carefully before beginning work.**

1.1 - Installation warnings

- All the product installation, collection, programming and maintenance operations must be carried out exclusively by a skilled and qualified technician, in observance of local laws, standards, regulations and the instructions in this manual.
- Before starting installation, read paragraph 3.1 to make sure the product is a suitable for automating your rolling shutter (or awning). If not suitable, do NOT proceed with installation.
- Product installation and maintenance operations must be performed with the automation mechanism disconnected from the power mains. Moreover, before starting to work, put a sign on the a disconnection device that says "ATTENTION! MAINTENANCE IN PROGRESS".
- Before starting installation, remove all electrical cables that are unnecessary for the system; deactivate all the mechanisms which are not necessary for the motorised operation of the rolling shutter (or awning).
- During installation of the system, keep people far away from the rolling shutter (or awning) when it is moving.
- A list of the mechanical parts required to couple this motor with the rolling shutter (or awning) appears in the Nice product catalogue.
- If the product is installed at a height of less than 2.5 m from the floor or other support surface, the moving parts must be protected with a suitable covering, to avoid inadvertent access. Refer to the rolling shutter (or awning) instruction manual for information on how to provide protection; in any case, make sure access is possible for maintenance work.
- On sun awnings, a minimum horizontal distance of 40 cm must be guaranteed between the awning completely open and any fixed object positioned in front.
- During installation, handle the product with care (**fig. 1**): avoiding the risk of crushing, impact, dropping or contact with any type of liquid, do not insert sharp objects in the motor, do not drill or insert screws on the motor exterior and do not place the product in the vicinity of heat sources or naked flames. This may damage product and cause malfunctions, fire or hazardous situations. If this occurs, suspend installation immediately and contact the Nice Technical Assistance.
- Do not apply screws to the winding roller on the section that is crossed by the motor internally. Such screws could damage the motor.
- Do not dismantle the product except when conforming to the operations described in this manual.
- Do not make any changes to any part of the product except those indicated in this manual. The manufacturer declines all liability for damage caused by makeshift modifications to the product.
- The power supply cable for the motor is made from PVC and is suitable for use in indoor environments. For use in other environments, protect the entire length of the cable by inserting it inside a dedicated sheath for protecting electrical cables.
- The unit's power cable may not be replaced. If the cable is damaged, the device must be scrapped.

1.2 - Warnings for use

- This product is not intended to be used by persons (including children) whose physical, sensorial or mental capacities are reduced, or who lack the necessary experience or skill.
- Do not allow children to play with fixed control devices.
- When performing a manoeuvre, keep a check on the automation and keep all people at safety distance until the movement has been complete.
- Do not start automation when jobs are being performed in the vicinity, i.e. window cleaning, maintenance jobs, etc. Disconnect the electrical supply before starting such jobs.
- Remember to frequently check the balance springs and wear and tear of cords (if such mechanisms are present). Do not use the product if it needs to be adjusted or repaired; only contact specialised technical personnel to solve these problems.

2 PRODUCT DESCRIPTION AND INTENDED USE

Era Plus is a family of tubular motors intended for use in automating shutters, awnings, sun screens and other similar applications (**fig. 2**). **Any other use is absolutely prohibited! The manufacturer is not liable for damage resulting from the any use of the product other than the one specified in this manual.**

The product has the following features:

- it is powered by the electricity mains (consult data on the motor dataplate);
- it must be installed inside the winding roller; the part of the motor that protrudes from the roller (electronic head) is fixed to the ceiling or the wall with suitable support brackets (not supplied in pack);
- the motor includes a radio receiver and control unit. The latter enables electronic control of the equipment's movements and automatic stopping at the "0" stop (shutter/awning completely retracted) and "1" stop (shutter/awning completely extended). See **fig. 4**;
- it is compatible with all Nice screen control equipment (transmitters and climate sensors);
- it can be controlled by radio or by cable with a variety of optional accessories not included in the package (see **fig. 5**);
- The stop positions are programmed with the arrow keys on the head of the motor. The motor's other functions can be programmed via radio, with a portable transmitter (not included in the package);
- the motor is designed for residential use, and hence for intermittent service. However, it can be operated continuously for the time indicated on the nameplate;
- it is equipped with a thermal protection system which, in the case of overheating caused by continuous use of the mechanism, beyond the indicated limits, automatically cuts off the electricity supply, restoring it as soon as the temperature goes back to normal;
- it is available in several versions, each with a certain motor torque (power).

3 INSTALLATION OF THE MOTOR AND THE ACCESSORIES

3.1 - Preliminary checks before installation and limitations on use

- Check the condition of the product right after unpacking it.
- This product is available in several versions, each with a specific motor torque. Each version is designed to move rolling shutters (or awnings) of certain specific dimensions and weights. Therefore, before installation make sure the parameters of the motor torque, rotation speed and operation time of the present product are suitable to automate your rolling shutter (or awning) (see the section "Guide to Selection" found in the Nice Product Catalogue – www.niceforyou.com). In particular, **do not install the product if its motor torque is greater than that needed to move your rolling shutter (or awning).**
- Check the diameter of the winding roller. This must be chosen according to the motor torque, as follows:
 - for the motors of size "M" ($\varnothing = 45$ mm) and with a torque of up to 35 Nm (included), the minimum inside diameter of the winding roller must be 52 mm;
 - for the motors of size "M" ($\varnothing = 45$ mm) and with a torque higher than 35 Nm, the minimum inside diameter of the winding roller must be 60 mm;
 - for the motors of size "L" ($\varnothing = 58$ mm), the minimum inside diameter of the winding roller must be 70 mm.
- Before automating an awning, check that there is enough free space in front of it for it to be completely opened.
- In cases of outdoor installation, make sure the motor is adequately protected against atmospheric agents.

Additional limitations on use are contained in chapters 1 and 2 and in the "Technical characteristics" section.

3.2 - Assembly and installation of the tubular motor

Warning! – Before starting, carefully read the warnings under sections 1.1 and 3.1. Incorrect installation could cause severe physical injury.

To assemble and install the motor, refer to **fig. 6**. Moreover, consult the Nice product catalogue or go to www.niceforyou.com to choose the crown of the limit switch (**fig. 6-a**), the drag wheel (**fig. 6-b**) and the motor fastening bracket (**fig. 6-f**).


3.3 - Installation of accessories

After installing the motor, install the accessories, if required. Per In order to identify those that are compatible and choose the models desired, see the Nice product catalogue, also viewable at www.niceforyou.com. For further details on the operation of the accessories and how to program their options, refer to Chapter 6. **Fig. 5** shows the type of accessories that are compatible and their connection to the motor (all of these are options and not included in the package).

4 ELECTRICAL CONNECTIONS AND FIRST POWER UP

The electrical connections must be made only after installing the motor and compatible accessories required.
The electrical cord of the motor is made up of the following internal cables (fig. 5):

Cable	Colour	Connection
1	Brown	Supply phase
2	Blue	Neutral
3	Yellow-green	Earth



4.1 - Connection of motor to electricity mains

Utilise cords 4, 5, 6 (fig. 5) to connect the motor to the main and pay attention to the warnings:

- scrupulously respect the connections indicated in this manual;
- improper connection can cause breakdowns and hazardous situations.

4.2 - Installing safety devices in the electrical mains

In compliance with the electric installation rules, in the network that powers the motor, a short circuit protection device and a disconnection device from the mains electricity must be envisioned (the two devices are not present in the package). **Caution!** – The disconnection device must have an opening distance between contacts which is sufficient to permit complete disconnection from the power supply under the conditions required by overvoltage category III.

The disconnection device must be located in view of the automation and, if it is not visible, must envision a system that blocks any accidental or unauthorised re-connection of the power supply, in order to prevent any danger.

4.3 - Connection of accessories to motor

Accessories can be connected by a radio (portable transmitters and certain climatic sensor models): memorise these accessories in the motor during the programming phases; refer to the procedures given in this manual and those given in the manuals supplied with the devices.

5 PROGRAMMING AND ADJUSTMENTS

5.1 - Transmitter to be used for programming procedures

- The programming procedures can be performed exclusively with a Nice transmitter having at least the following keys ▲, ■, ▼.
- The programming procedures must be performed exclusively with a transmitter memorised in “Mode I” (paragraph 5.7 or 5.9.1).
- If the transmitter used for programming controls multiple automation units, you must select the “unit” corresponding to the automation you are programming before sending a command during a procedure.

5.2 - Positions in which the shutter/awning stops automatically

The electronic system that controls the shutter/awning at all times can automatically stop its movement when it reaches the stop positions programmed by the installer. The programmable positions are (fig. 4):

- position “0” = upper limit switch: rolling shutter (or awning) completely rolled up;
- position “1” = lower limit switch: rolling shutter (or awning) completely unrolled.

When the stop positions have not yet been programmed, the shutter/awning can be operated only in “hold-to-run” mode, i.e. keeping the control key pressed for the desired duration of the manoeuvre; the movement stops as soon as the user releases the key. Once the stop positions have been programmed, one need only press the control key to start the shutter/awning moving in the desired direction, and it will automatically stop as soon as it reaches the programmed position.

5.3 - General warnings

- The stop positions must be set after motor has been installed onto the shutter/awning and connected to its power supply.
- In cases of installations with several motors and/or receivers, before starting to program you must disconnect the electrical supply to the motors and receivers you do not wish to program.
- Scrupulously respect the time limits indicated in the procedures: after releasing a key, you have 60 seconds to press the next key indicated in the procedure; otherwise, when the time is up, the motor will perform six movements to communicate cancellation of the procedure in progress.
- During programming, the motor performs a certain number of brief movements, as

a “response” to the command sent to the installer. Count the movements, regardless of their direction.

- Every time the motor is powered **2 movements** are performed to indicate that it is in one (or more) of the following conditions:
 - radio memory empty (no transmitter is programmed);
 - one or more of the “arrow” buttons not lowered (or one or both of the limit switches are not programmed);
 - direction of rotation of the motor is not programmed (in this case the motor moves only in “hold-to-run” mode, within the limits of the limit switches, if these are programmed);
 - it is a “virgin” motor, i.e. with factory settings (or with the memory totally erased through procedure 5.10).

5.4 - Overview of the transmitters

5.4.1 - Compatible transmitters

Consult the Nice product catalogue or go to www.niceforyou.com to find the Nice devices compatible with the radio receiver built into the motor.

5.4.2 - Transmitter memorisation hierarchy

In general a transmitter can be memorised as a FIRST transmitter or a SECOND transmitter (or third, fourth, etc.).

A - First transmitter

A transmitter can be memorised as a first transmitter only if in the motor no other transmitter is memorised. For this memorisation, follow procedure 5.7 (this memorises the transmitter in “Mode I”).

B - Second (or third, fourth, etc.) transmitting device

A portable transmitter (or a radio climate sensor) can be memorised as a second (or third, fourth, etc.) transmitting device only if the First Transmitter is already memorised in the motor. For this memorisation, follow one of the procedures given in section 5.9.

5.4.3 - Two procedures to memorise the keys of a transmitter

To memorise the keys of a transmitter, two different procedures can be used: “Mode I” and “Mode II”.

- **“MODE I”** – This mode automatically transfers, the various commands available in the motor, all together, into the various keys available on the transmitter, without allowing the installer to change the combinations of commands and keys. Upon completion of the procedure, each key will be combined with a command according to the following diagram.
 - key ▲ (or key 1): will be combined with **Raise**
 - key ■ (or key 2): will be combined with the command **Stop**
 - key ▼ (or key 3): will be combined with the command **Lower** (if there is a fourth key on the transmitter)
 - key 4: will be combined with the command **Stop**

Note – If the keys of your transmitter have no symbols or numbers, see fig. 3 to identify them.

- **“MODE II”** – This mode allows you to manually combine one of the commands available in the motor with one of the transmitter keys, giving the installer the option of choosing the command and key combinations to use. At the end of the procedure, to memorise another key with another command desired, it will be necessary to repeat the procedure once again.

Warning! – Each automation has its own list of commands that can be memorised in Mode II; in the case of the present motor the list of commands available is given in procedure 5.9.2.

5.4.4 - Number of transmitters that can be memorised

You can memorise 30 transmitters (including any radio climate sensors) if these are all memorised in “Mode I”, or you can memorise 30 single commands (keys) if they are all memorised in “Mode II”. The two modes can coexist up to a maximum limit of 30 memorised units.

PROCEDURES → → →

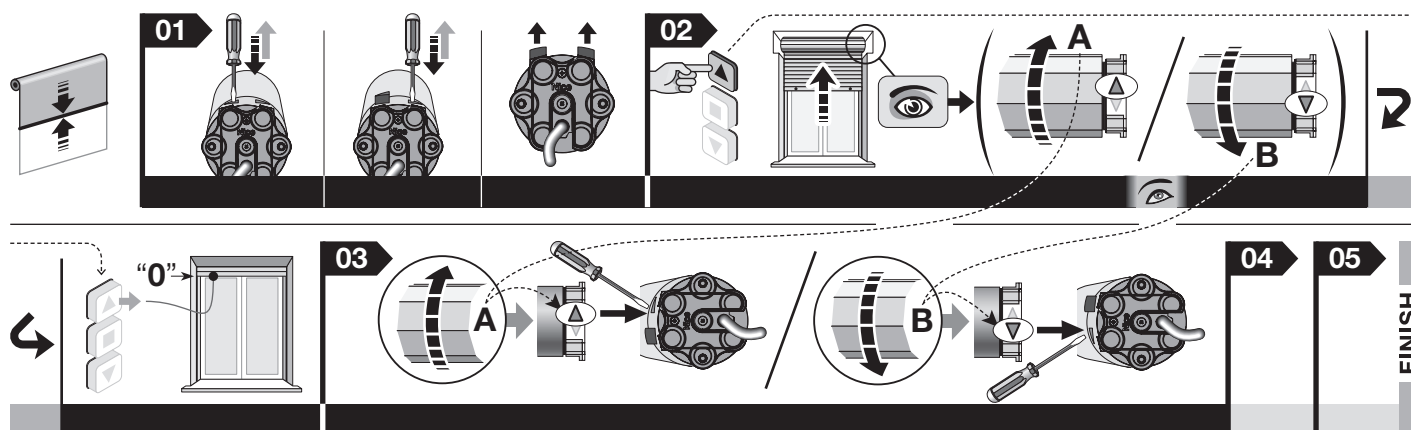
5.5 - Programming the two limit switches

During raising and lowering movements the motor automatically stops the rolling shutter (or awning) when it reaches a limit switch (**fig. 4**): position "0" = rolling shutter (or awning) completely rolled up; position "1" = rolling shutter (or awning) completely unrolled. Proceed as follows to programme these positions.

Warnings:

- The two "arrow" buttons on the motor head are each used to programme a limit switch. The motor is supplied with these buttons pressed and therefore with limit switches already programmed at arbitrary heights. Follow the procedure described below to adjust these heights to suit the specific features of your rolling shutter (or awning).
- At point 02 of the procedure, the first level to be programmed may be freely chosen as required.

01. Make sure that the two "arrow" buttons on the motor head are released, that is, that they emerge all the way out of the motor surface. If they are flush with the surface (pressed), release them by pressing each button all the way down with a screwdriver.
02. Use the wall-mounted pushbutton strip to position the rolling shutter (or awning) at the desired level for the limit switch (the High or "0" limit switch is shown in the example). **IMPORTANT!** – **while the manoeuvre is underway, observe the direction of rotation of the winding roller and identify the arrow on the motor head pointing in the same direction as the roller turns.** Then stop the manoeuvre. **Note** – Use the two pushbuttons on the wall-mounted pushbutton strip for fine regulation of levels.
03. Lastly, memorize the level by pressing the "arrow" button identified previously all the way down (with a screwdriver) on the motor head: it **must stay down**.
04. Use the wall-mounted pushbutton strip to adjust the other limit switch so that the rolling shutter (or awning) is at the desired level for this limit switch.
05. Lastly, memorize the level by pressing the "arrow" button not used before all the way down (with a screwdriver) on the motor head: it **must stay down**.



5.6 - To change only one of the two limit switch levels memorised

Proceed as follows to change a limit switch level which has already been memorised (without changing the other limit switch):

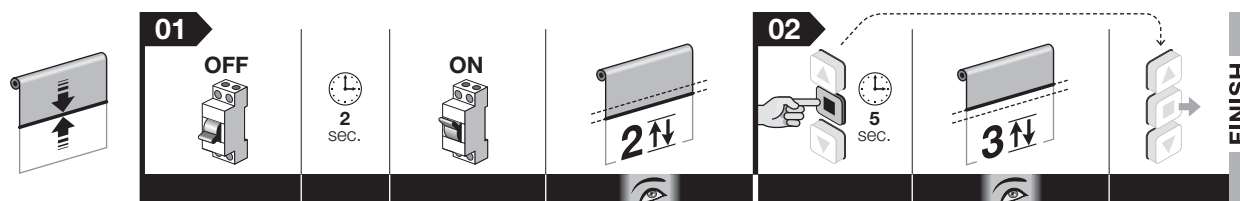
01. Use the wall-mounted pushbutton strip to move the rolling shutter (or awning) by a few centimetres in the direction of the limit switch to be modified: – **while the manoeuvre is underway, observe the direction of rotation of the winding roller and identify the arrow on the motor head pointing in the same direction as the roller turns** then stop the manoeuvre.
02. (on the head of the motor) With the shutter/awning stopped, press the arrow key you have just identified with a screwdriver. **The key should remain in the raised position.**
03. Use the wall-mounted pushbutton strip to complete the manoeuvre interrupted in point 01, putting the rolling shutter (or awning) at the new limit switch level. **Note** – Use the two pushbuttons on the wall-mounted pushbutton strip for fine regulation of levels.
04. (on the motor head) With the rolling shutter (or awning) stationary at the limit switch, memorize the new level by pressing the "arrow" button all the way down (using a screwdriver) on the motor head: **it must stay down**.

5.7 - Memorisation of the FIRST transmitter

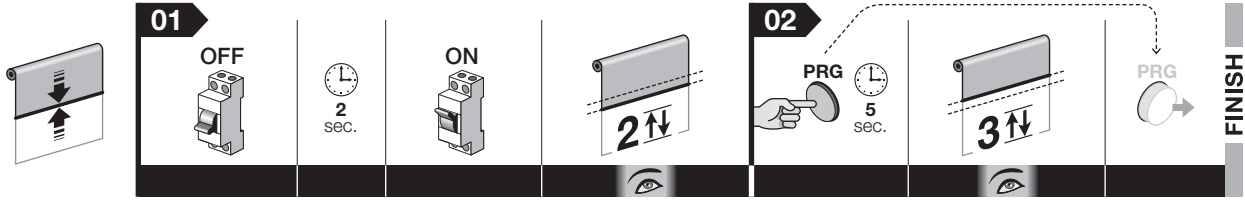
Warning – Every time the motor is powered, 2 movements are performed, if there is not at least one transmitter and the limit switch heights in its memory.

Before starting the procedure, move the shutter/awning to the mid-point of its stroke.

01. Disconnect the power supply to the motor; wait two seconds and reconnect the power supply: the motor performs 2 movements.
02. Keep the **■** key pressed and wait for the motor to perform 3 movements. Upon completion, release the key.



Note – After memorisation, the shutter/awning's Up and Down strokes have not yet been allocated to the transmitter's ▲ and ▼ keys.

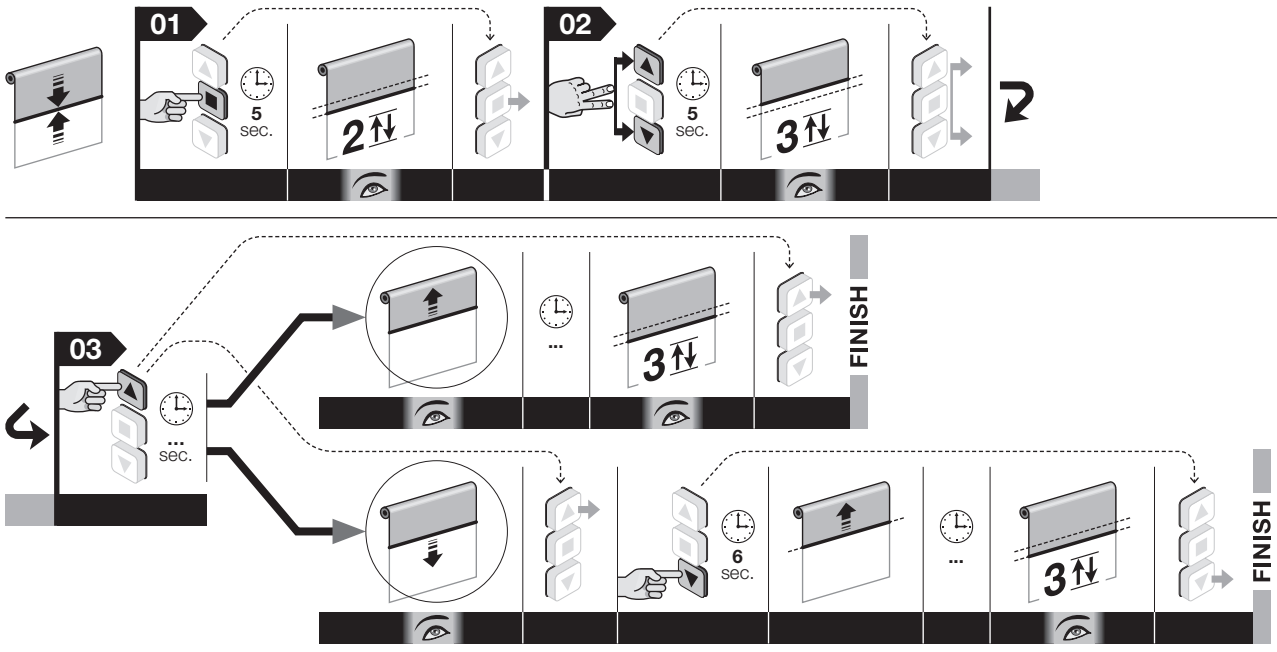


5.8 - Allocating the shutter/awning's UP and DOWN strokes to the s and t keys on the control device

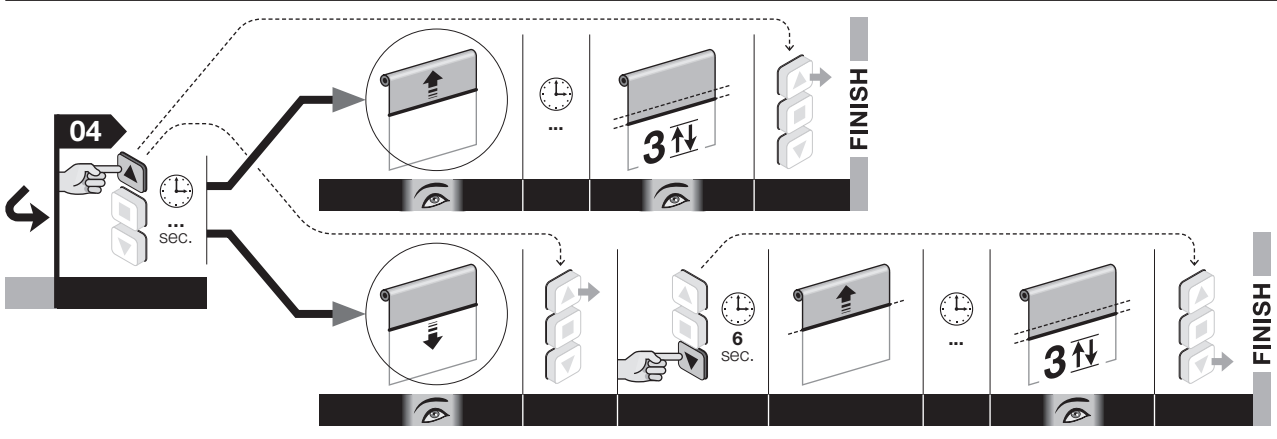
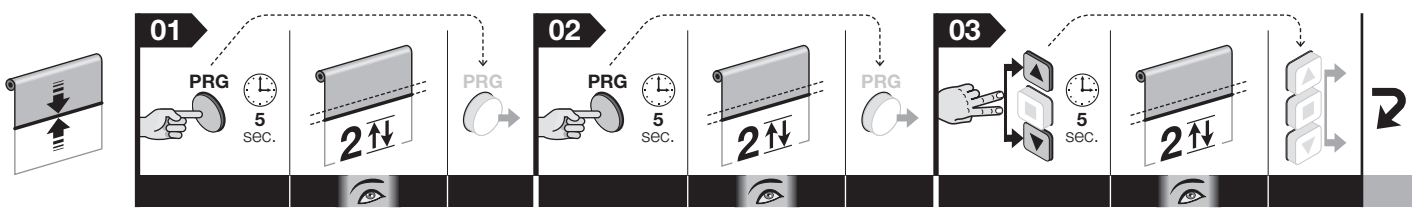
This procedure can only be done with a "Mode I" transmitter.

Before starting the procedure, move the shutter/awning to the mid-point of its stroke.

- 01.** Keep the **■** key pressed and wait for the motor to perform 2 movements. Upon completion, release the key.
- 02.** Keep the **▲** and **▼** keys pressed simultaneously and wait for the motor to perform 3 movements. Upon completion, release the keys.
- 03.** Keep the **▲** key pressed and...
 - if the shutter (or awning) starts to move in the direction **UP** keep the **▲** key pressed and wait for the motor to perform 3 movements. Upon completion, release the key.
 - if the shutter (or awning) starts to move in the direction **DOWN** release the **▲** key and keep the **▼** key pressed, waiting for the motor to perform 3 movements. Upon completion, release the key.



N.B. – When performing the procedure, you can cancel the programming at any time by keeping the **■** and **▼** keys pressed simultaneously for 4 seconds Alternatively, do not press any keys and wait 60 seconds for the motor to complete 6 movements.



5.9 - Memorising a SECOND (third, fourth, etc.) transmitter

This procedure requires you to have a second, previously memorized transmitter (the "old" transmitter) at hand.

5.9.1 - Memorising a second transmitter using "Mode I"

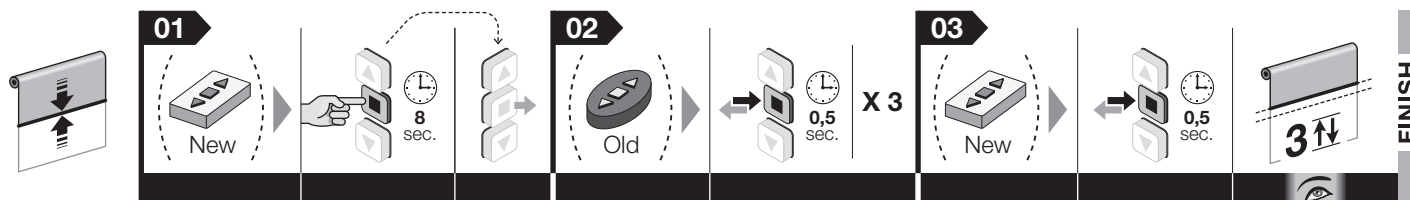
Caution! – This procedure memorises the new transmitter in "Mode I", regardless of the Mode in which the old transmitter was memorised.

Before starting the procedure, move the shutter/awning to the mid-point of its stroke.

01. (on the new transmitter) Keep the **■** key pressed for 8 seconds and then release it (in this case the motor does not perform any movement).

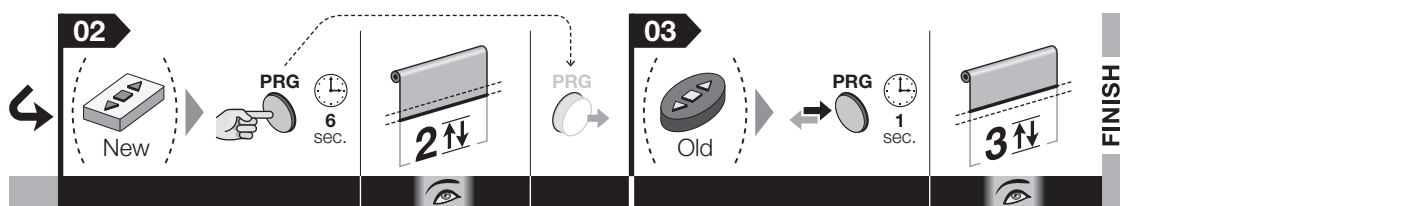
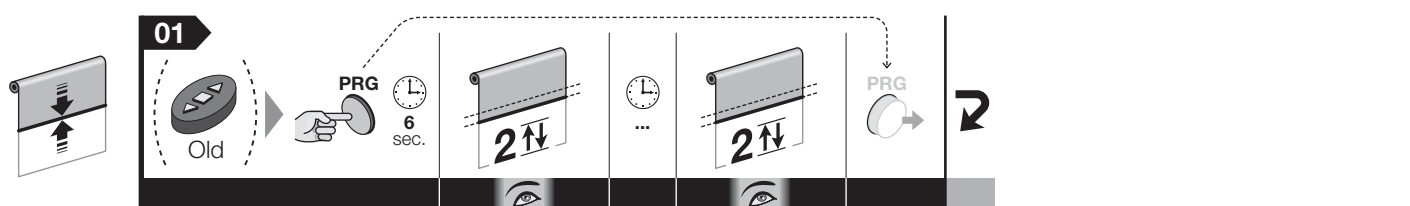
02. (on the old transmitter) Give 3 pulses on the key **■**, provided that it is stored.

03. (on the new transmitter) Give 1 pulse to the **■** key. After a while the motor performs 3 movements to confirm the memorisation. **Warning!** If the motor performs 6 movements, it means that its memory is full.



N.B. – When performing the procedure, you can cancel the memorisation at any time by keeping the **■** and **▲** keys pressed simultaneously for 4 seconds. Alternatively, do not press any keys and wait 60 seconds for the motor to complete 6 movements.

— Procedure 5.9.1 — executable only with a series transmitter Era P and Era W



5.9.2 - Memorising a second transmitter using "Mode II"

Caution! – This procedure memorises one key on the new transmitter using "Mode II", regardless of the Mode in which the key you press on the old transmitter is memorised.

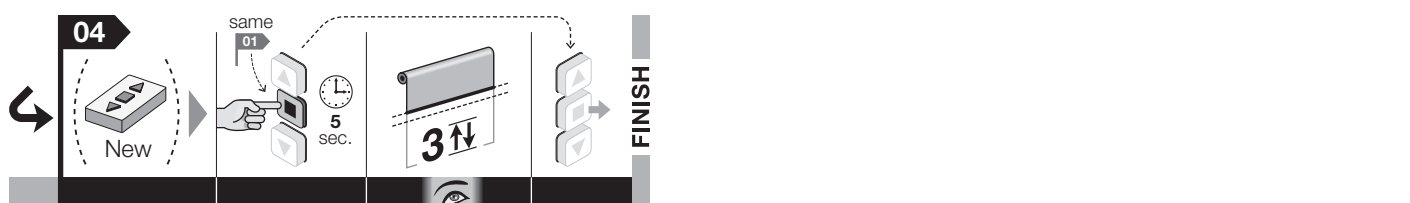
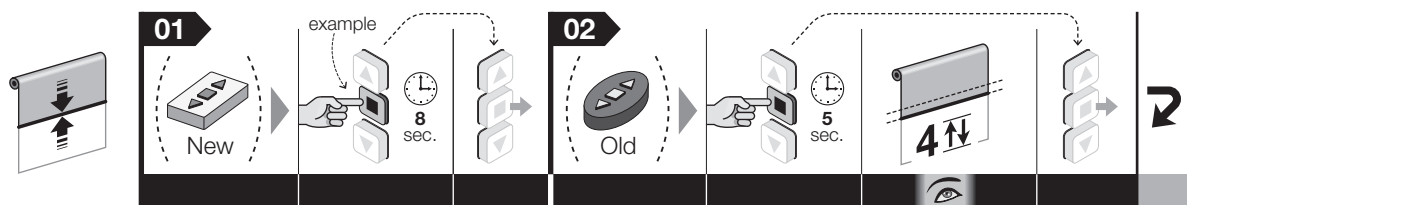
Before starting the procedure, move the shutter/awning to the mid-point of its stroke.

01. (on the new transmitter) Press and keep pressing on the key to be combined with one of the available functions. Release the key after 8 seconds (in this case, the motor does not perform any movement).

02. (on the old transmitter) Keep the **■** key pressed and wait for the motor to perform 4 movements. Upon completion, release the key.

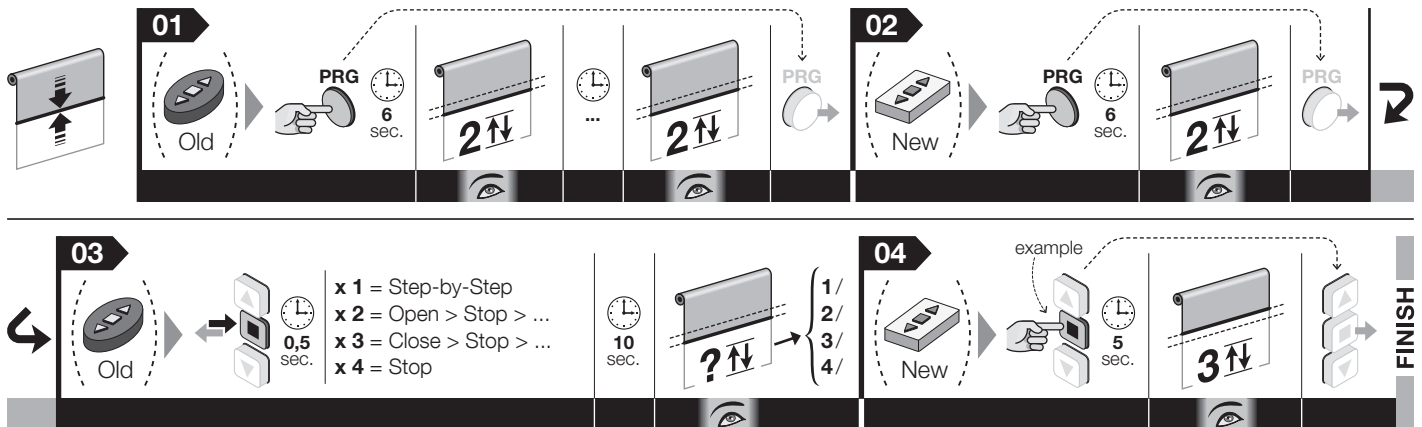
03. (on the old transmitter) Briefly press the **■** key a certain number of times depending on the command you want to memorise: • **1 pulse = Step-by-Step command** • **2 pulses = Open > Stop > Open > Stop > command ...** • **3 pulses = Close > Stop > Close > Stop > command ...** • **4 pulses = Stop command.** After about 10 seconds, the motor performs a number of movements equal to the number of impulses given with the transmitter.

04. (on the new transmitter) Keep pressing the key to be combined with the chosen function and wait for the motor to perform 3 movements. Upon completion, release the key. **Caution!** – If the motor performs 6 movements, it means that its memory is full.



N.B. – When performing the procedure, you can cancel the memorisation at any time by keeping the ■ and ▲ keys pressed simultaneously for 4 seconds Alternatively, do not press any keys and wait 60 seconds for the motor to complete 6 movements.

— Procedure 5.9.2 — executable only with a series transmitter Era P and Era W



5.10 - Total or partial deletion of memory

This procedure allows you to choose under point 05 the data that you want to delete.

5.10.1 - Procedure performed with a transmitter memorised in “Mode I”

Before starting the procedure, move the shutter/awning to the mid-point of its stroke.

01. Keep the ■ key pressed and wait for the motor to perform 2 movements. Upon completion, release the key.

02. Keep the ▲ key pressed and wait for the motor to perform 3 movements. Upon completion, release the key.

03. Keep the ■ key pressed and wait for the motor to perform 3 movements. Upon completion, release the key.

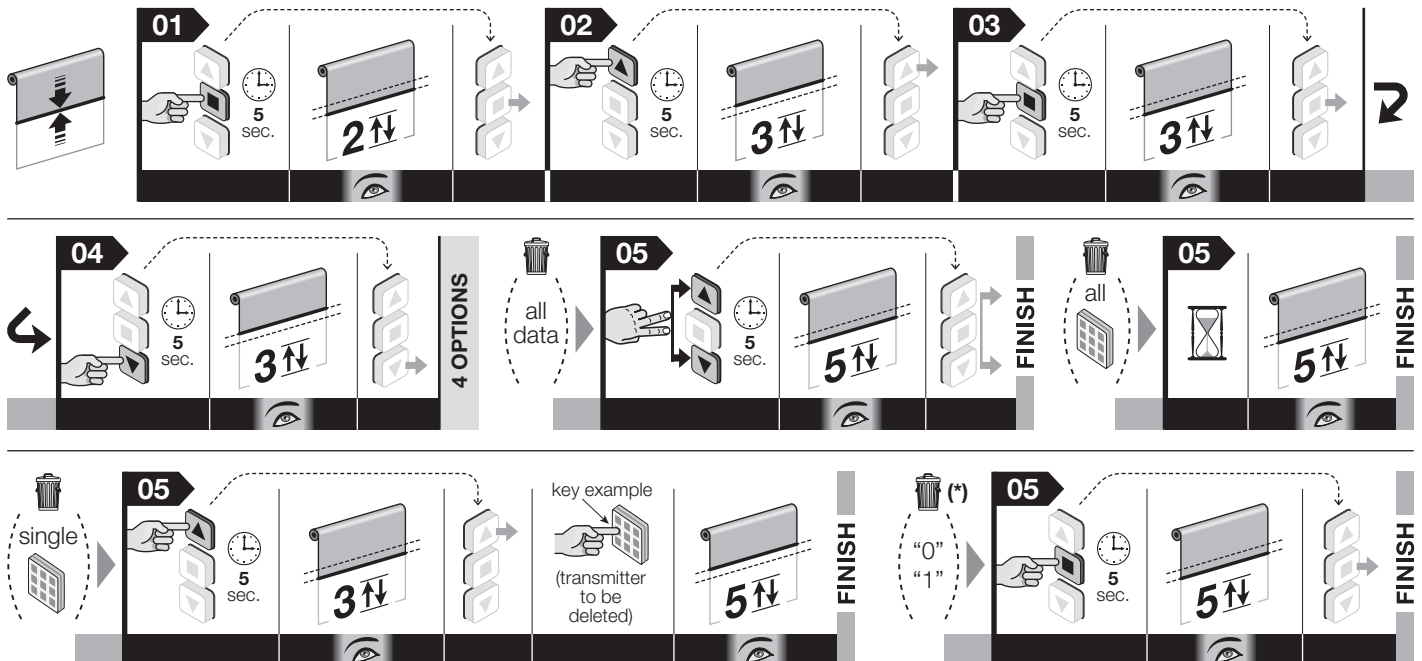
04. Keep the ▼ key pressed and wait for the motor to perform 3 movements. Upon completion, release the key.

05. • **To cancel the entire memory:** Keep the ▲ and ▼ keys pressed and wait for the motor to perform five movements. Upon completion, release the keys.

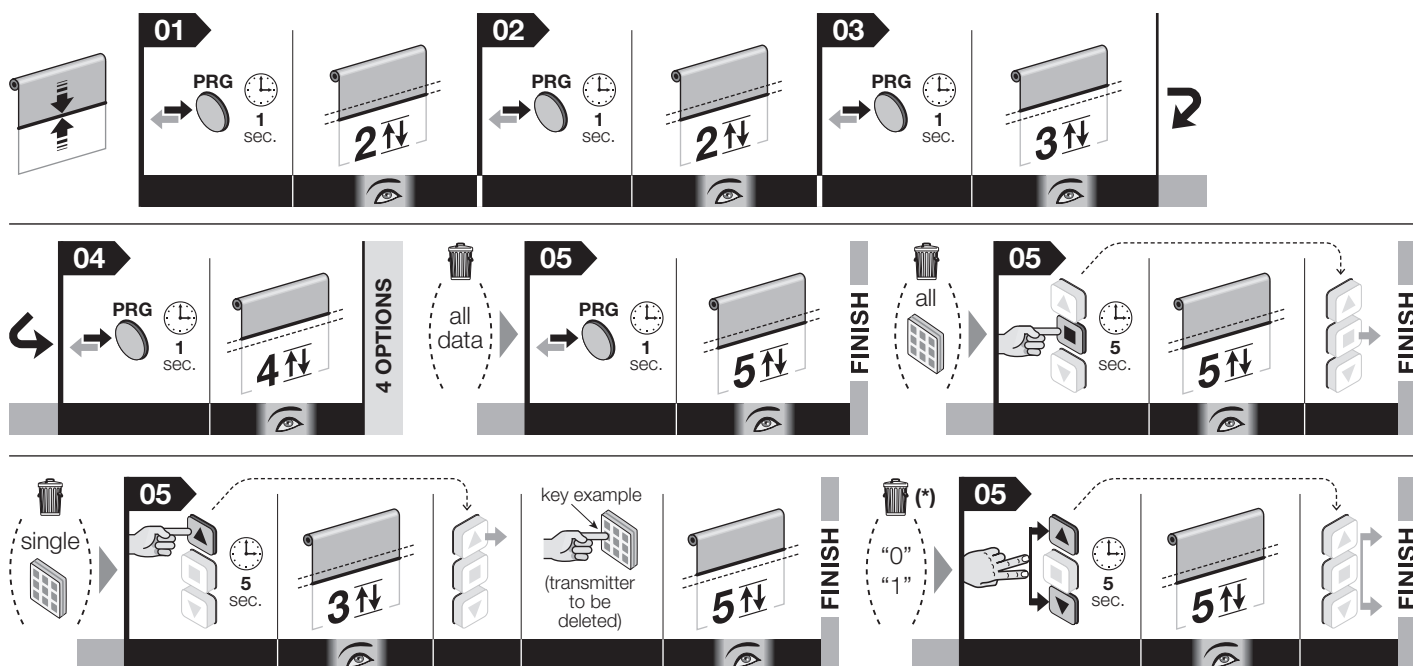
• **To delete all memorised transmitters:** do not press any key and wait until the motor performs 5 movements.

• **To delete a single memorised transmitter:** hold down the ▲ key and wait for the motor to perform 3 movements. Now release the key. Lastly, press the button of the transmitter you wish to delete: the motor performs 5 movements.

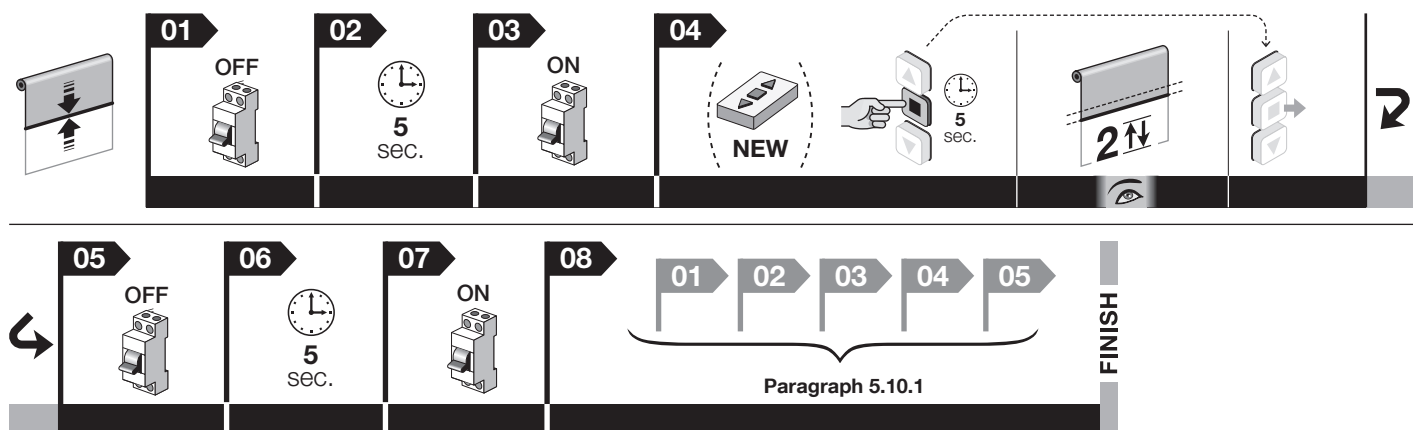
• **To cancel just the parameters:** keep the ■ key pressed and wait for the motor to perform 5 movements. Upon completion, release the key.



N.B. – When performing the procedure, you can cancel the memorisation at any time by keeping the ■ and ▲ keys pressed simultaneously for 4 seconds Alternatively, do not press any keys and wait 60 seconds for the motor to complete 6 movements.




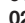
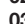
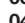
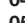
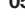

5.10.2 - Procedure performed with an unmemorised transmitter

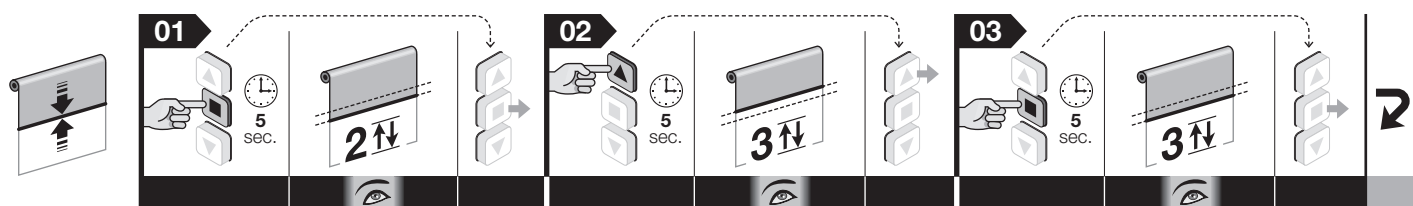


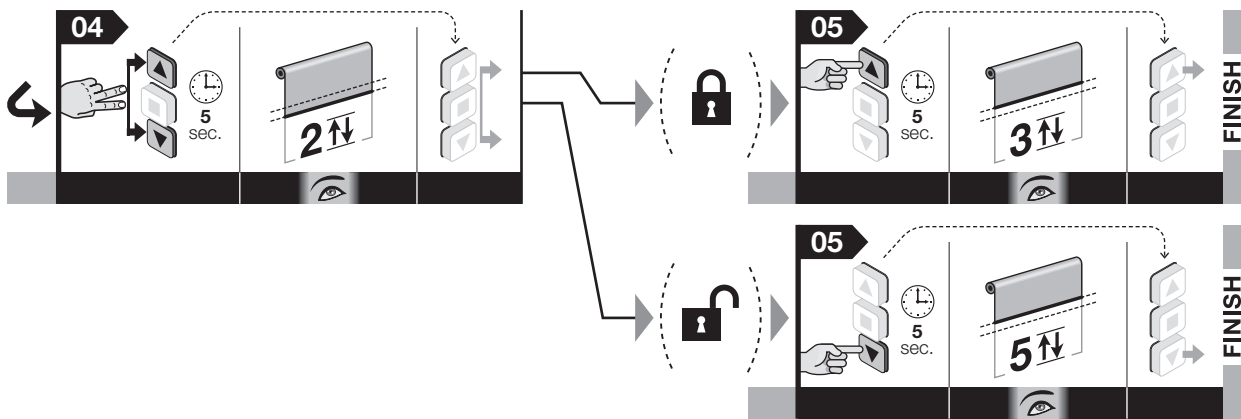
5.11 - Locking and unlocking the memory

This procedure allows you to lock or unlock the memory to prevent accidental memorisation of other transmitters not included in the system.

Before starting the procedure, move the shutter/awning to the mid-point of its stroke.

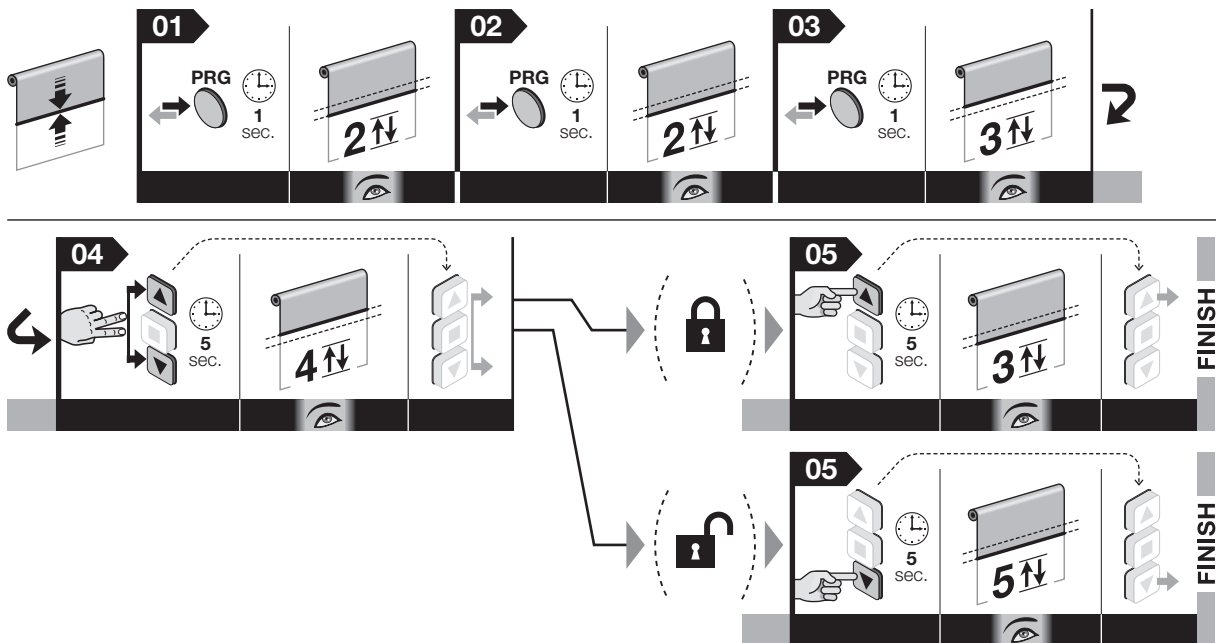
01. Keep the  key pressed and wait for the motor to perform 2 movements. Upon completion, release the key.
02. Keep the  key pressed and wait for the motor to perform 3 movements. Upon completion, release the key.
03. Keep the  key pressed and wait for the motor to perform 3 movements. Upon completion, release the key.
04. Keep the  and  keys pressed simultaneously and wait for the motor to perform 2 movements. Upon completion, release the keys.
05. • **To lock the memory:** keep the  key pressed and wait for the motor to perform 3 movements. Upon completion, release the key.
• **To unlock the memory:** keep the  key pressed and wait for the motor to perform 5 movements. Upon completion, release the key.





Note – When performing the procedure, at any time you can cancel it by keeping the ■ and ▼ keys pressed simultaneously for 4 seconds. Otherwise, do not press any key and wait 60 seconds for the motor to perform 6 movements.

— Procedure 5.11 — executable only with a series transmitter Era P and Era W



PROCEDURES FOR OPTIONAL ACCESSORIES (ref. Chapter 6)

5.12 - Memorisation of a climate sensor connected via radio (ref. paragraph 6.1.2)

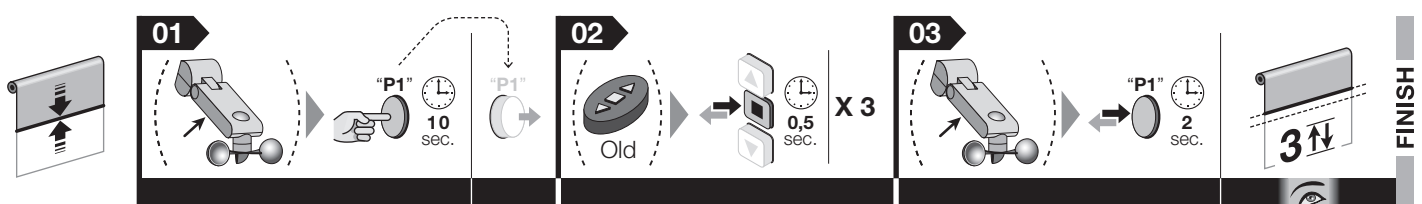
To perform the procedure you must have a transmitter memorised in "Mode I".

Before starting the procedure, move the shutter/awning to the mid-point of its stroke.

01. (on the climate sensor) Keep the yellow key pressed for 10 seconds and then release it (in this case the motor does not perform any movement).

02. (on the old transmitter) Give 3 pulses on the ■ key, provided that this is memorised.

03. (on the climate sensor) Keep the yellow key pressed for 2 seconds: the motor performs 3 movements to confirm its memorisation. **Caution!** – If the motor performs 6 movements, it means that its memory is full.

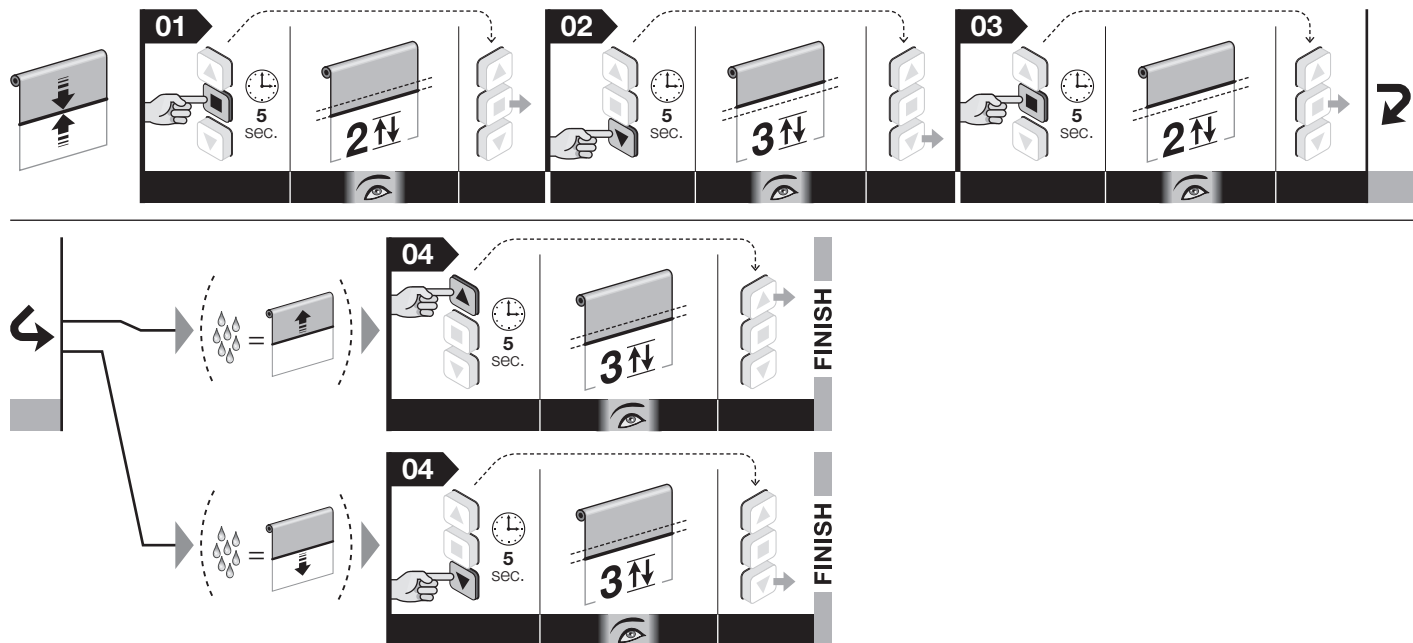


N.B. – When performing the procedure, you can cancel the programming at any time by keeping the ■ and ▼ keys pressed simultaneously for 4 seconds. Alternatively, do not press any keys and wait 60 seconds for the motor to perform 6 movements.

5.13 - Programming the movement (Ascent or Descent) that the motor must perform automatically when it starts to rain (ref. paragraph 6.1.4)

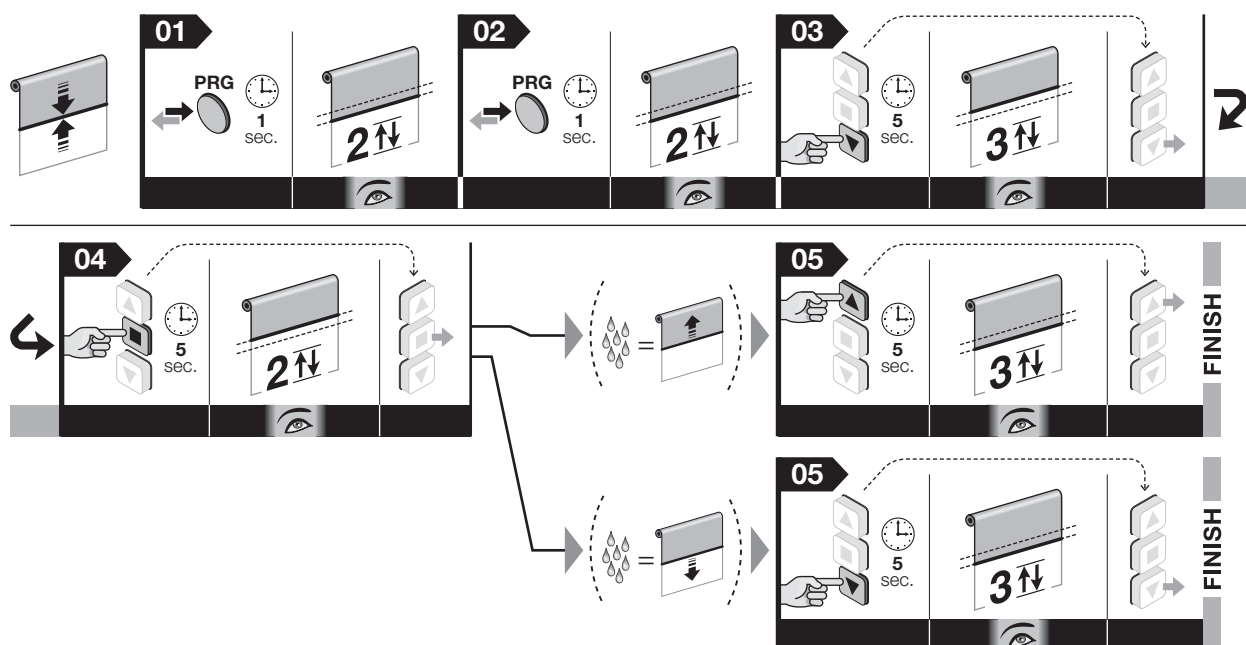
Before starting the procedure, move the shutter/awning to the mid-point of its stroke.

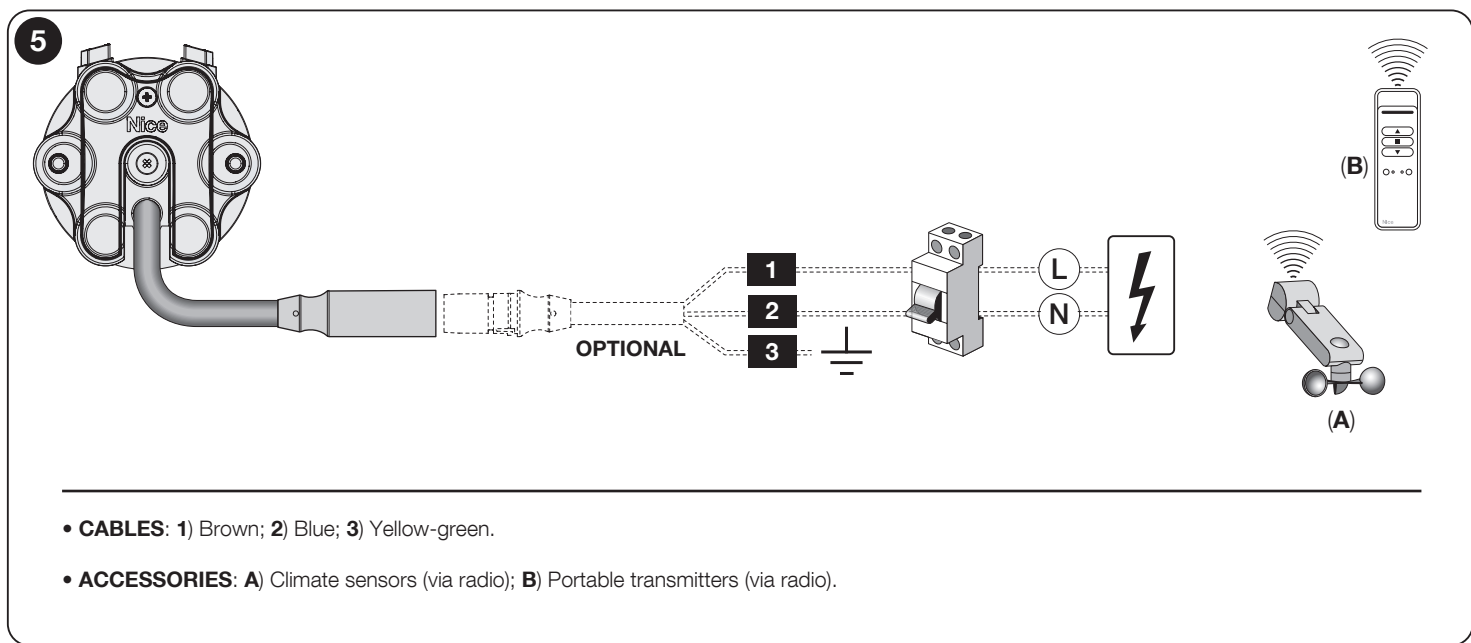
- 01. Keep the **■** key pressed and wait for the motor to perform 2 movements. Upon completion, release the key.
- 02. Keep the **▼** key pressed and wait for the motor to perform 3 movements. Upon completion, release the key.
- 03. Keep the **■** key pressed and wait for the motor to perform 2 movements. Upon completion, release the key.
- 04. Programme the movement that the motor must perform automatically when it starts to rain, by selecting one of the following options:
 - to programme the **Raising of the shutter (or awning)**: keep the **▲** key pressed and wait for the motor to perform 3 movements. Upon completion, release the key.
 - to programme the **Lowering of the shutter (or awning)**: keep the **▼** key pressed and wait for the motor to perform 3 movements. Upon completion, release the key.



N.B. – When performing the procedure, you can cancel the programming at any time by keeping the **■** and **▼** keys pressed simultaneously for 4 seconds. Alternatively, do not press any keys and wait 60 seconds for the motor to perform 6 movements.

— Procedure 5.12 — executable only with a series transmitter Era P and Era W





6 OPTIONAL ACCESSORIES

6.1 - Climate sensors for wind, sun, rain

WARNING! – Only radio-based sensors can be used. These accessories independently control the movements of the awning/shutter according to the atmospheric conditions detected outdoors.

Warning – These climate sensors must not be considered as safety devices that can eliminate failures in the awning/shutter caused by the effects of rain or strong winds; a mere electricity blackout, in fact, would make the automatic movement of the awning/shutter impossible. Consequently, these sensors must be considered as components of the automated device, that are useful in protecting the awning/shutter. Nice declines all liability for any material damages that occur due to atmospheric events not detected by the sensors.

6.1.1 - Definitions and conventions

- **Manual “Sun On” Command** = enables the reception, by the motor, of automatic commands transmitted by the “Sun” sensor if present in the installation. When reception is enabled, the user can send manual commands at any time: these override the automatic operation of the automated device.
- **Manual “Sun Off” Command** = enables the reception, by the motor, of automatic commands transmitted by the “Sun” sensor, if present in the installation. When the reception is disabled, the automated device operates exclusively with the manual commands sent by the user. The “Wind” and “Rain” sensors cannot be disabled because they protect the automated device from these atmospheric phenomena.
- **“Above-threshold” intensity of sun/wind** = condition where the intensity of the atmospheric phenomenon corresponds to high values above the set threshold.
- **“Below-threshold” intensity of sun/wind** = condition where the intensity of the atmospheric phenomenon corresponds to low values below the set threshold.
- **“Wind protection”** = a condition in which the system inhibits all the awning/shutter opening commands due to the intensity of the wind above the threshold.
- **“Presence of rain”** = a condition in which the system detects the presence of rain, with respect to the previous condition of “absence of rain”.
- **“Manual command”** = UP, DOWN or Stop command sent by the user by means of a transmitter.

6.1.2 - Memorisation of a climate sensor connected via radio

To store a climate sensor to perform the procedure 5.12.

6.1.3 - Behaviour of the motor in each kind of weather condition

The NEMO and VOLO accessories allow the awning/shutter to be moved automatically, depending on the weather conditions at the time. For adjustments to the levels of intervention, please refer to the Nemo and Volo product manuals.

• Behaviour of the automated device when there is a Sun sensor: fig. 7

When the intensity of the sunlight exceeds the set threshold for at least 2 minutes, the motor automatically lowers the awning/shutter. When the intensity of the sunlight goes below the specified delay threshold and remains there for at least 15 minutes, the motor automatically raises the awning/shutter. **N.B.** – the delay threshold is about

50% of the value for the specified sunlight threshold.

Momentary reductions in sunlight intensity, that last a short time or less than 15 minutes, do not affect the overall cycle. Manual commands sent by the user are in addition to the automatic commands.

The factory setting for the solar sensor setpoint is level 3 (= 15 Klux). If you wish to change this value use procedure 5.16.

• Behaviour of the automated device when there is a Rain sensor: fig. 8

The rain sensor recognises two states: “absence of rain” and “presence of rain”. When the motor receives the message “presence of rain”, it automatically activates the manoeuvre (Up or Down) that the installer has programmed for this condition (*). The rain sensor is disabled automatically when it detects the absence of rain for at least 15 minutes.

(*) - Use procedure 5.13 to program the manoeuvre that the motor should perform automatically when the rain sensor signals the “presence of rain”.

The automatic rain function is deactivated after the absence of rain has been verified for at least 15 minutes. In this case, the manual commands are always active and are in addition to the automatically-generated command. If a manual command is sent that is contrary to the previous automatic command, the system carries out the manual command and at the same time starts a 15 minute timer that regenerates the programmed automatic command once this time elapses (e.g. the closure of the awning/shutter).

Example: 1) The awning/shutter is open. **2)** It starts raining. **3)** The awning (or shutter) closes. **4)** The user forces it to open after a few moments. **5)** The awning (or shutter) opens again. **6)** 15 minutes after being opened, the awning (or shutter) closes again automatically. **7)** It stops raining for at least 15 minutes. **8)** The user again opens the awning (or shutter). **9)** The awning (or shutter) remains open.

• Behaviour of the automated device when there is a Wind sensor: fig. 9

When the intensity of the wind exceeds the set threshold, the system activates the wind protection and automatically raises the awning/shutter. With the wind protection activated, the manual commands are deactivated and it is not possible to lower the awning/shutter. At the end of the barring period, the manual commands are re-activated and after 10 minutes, automatic operation is restored.

The factory setting for the wind sensor setpoint is level 3 (= wind at 15 Km/h). If you wish to change this value use procedure 5.17.

• Behaviour of the system with various weather conditions at the same time

Each condition has a priority level. The scale of priorities is the following: wind, rain, sun. Wind has the highest priority. A condition with a higher priority neutralises the one with a lower priority.

Example: 1) On a beautiful sunny day the awning (or shutter) is lowered due to the effect of the sunlight. **2)** If some clouds arrive and a drop of rain falls on the sensor, the motor neutralises the “sun present” condition and commands the specified manoeuvre for the “rain present” condition. **3)** If the speed of the wind increases and exceeds the set threshold, the motor deactivates the specified automatic sequence for rain and will send a command to raise the awning (or shutter) and locks it in the closed position for as long as it is windy. **4)** When the thunderstorm stops, the wind alarm condition elapses after 10 minutes and, at this point, if the “rain presence” condition persists, the setting for this is reactivated and the established manoeuvre is commanded again. When the rain condition ceases, the routine for sun conditions are re-established. If the sunlight intensity exceeds the threshold, the awning (or

shutter) will re-open. When the sunlight intensity falls below the threshold level for at least 15 minutes, a command will be sent to raise the awning/shutter.

• “Sun-On” and “Sun-Off” commands

The “Sun-ON” command enables the function of the automated mechanism whereas the “Sun-OFF” command deactivates it. If the user sends the “Sun-On” command (automatic function enabled) and at that moment it is sunny, the system commands the awning/shutter to open. If the automatic device was already enabled, when another “Sun-On” command is sent, the system is reset and the algorithms start again from scratch, with immediate effect. If a “Sun-On” command is sent but the level of sunlight does not allow the awning/shutter to open (the sunlight threshold is not exceeded), the motor will generate a command to close it according to the conditions at that time. If the conditions are not such as to initiate a movement (e.g. the awning or shutter is closed and there is no sun), when the “Sun-On” command is sent, the motor will remain still. If a “Sun Off” order is sent, the automatic function is disabled.

Example: the awning (or shutter) is closed; a “Sun-On” command is sent; if it is sunny, the awning (or shutter) opens immediately without waiting 2 minutes.

By disabling the automatic function, the automatic movements associated with the variations in sunlight intensity are blocked. The automatic functions associated with wind and rain cannot be deactivated.

6.1.4 - Programming the direction in which the awning/shutter will move if it starts to rain

If it starts to rain, the system automatically commands the awning/shutter to be raised (factory setting). To change this setting, to perform the procedure 5.13.

7 WARNINGS ABOUT USING THE AUTOMATED DEVICE

7.1 - Maximum continuous work cycle

In general, the motors in the “Era” range were designed for residential use and therefore for discontinuous use. They guarantee a maximum continuous operating time of 4 minutes and in cases of overheating (e.g. caused by continuous prolonged operation) a safety “thermal protection device” intervenes to cut the power supply, restoring it when the temperature returns to normal.

What to do if... (troubleshooting guide)

- **The motor does not start when you send a command or press a key to start a movement.**
 - a) Check whether the motor thermal has been tripped. If this is the case, wait until the motor cools to restore normal functioning.
 - b) Check that the power is on and the grid voltage corresponds to the values appearing on the motor plate.
 - c) Check whether the motor has been shut down by the limit switch in either direction of rotation. If this is the case, adjust the limit switch levels again using the procedure described in par. 5.5.
 - d) Check that the power cable is in good condition.
- **If the motor does not stop automatically shutter/awning reaches the stop position.**
 - a) Make sure that the two “arrow” buttons on the motor head are in the lowered position, that is, flush with the motor surface.
 - b) While the manoeuvre is underway, make sure that the winding roller drives the limit switch ring nut (**fig. 6-h**).
- **If the programmed stop position moves during the shutter/awning’s first movement.**
 - a) Repeat the procedure described in par. 5.5 to compensate the play between the mechanisms.

If problems persist after these checks contact a qualified technician or the Nice Service Centre.

Disposal of the product

As in installation operations, disposal operations must be performed by qualified personnel at the end of the product’s lifespan.

The product is made of various types of materials: some of them may be recycled, while others must be scrapped. Find out about recycling and disposal systems in use in your area for this product category.

Warning! – Some parts of the product may contain polluting or hazardous substances which, if released to the environment, may cause serious damage to the environment or to human health. As indicated by the symbol appearing here, the product may not be disposed of with other household wastes. Separate the waste into categories for disposal, according to the methods established by current legislation in your area, or return the product to the retailer when purchasing a new version.



Warning! – Local legislation may impose heavy fines in the event of illegal disposal of this product.

- The product’s packaging materials must be disposed of in full compliance with local regulations.

Technical specifications

Refer to the technical characteristics stated on the motor’s nameplate.

Note: • All technical specifications stated herein refer to an ambient temperature of 20° C (± 5° C). • Nice S.p.A. reserves the right to apply modifications to products at any time when deemed necessary, maintaining the same intended use and functionality.

Simplified EU declaration of conformity

Hereby, NICE S.p.A., declares that the radio equipment type E EASYPLUS M 817 SH, E EASYPLUS M 1517 SH, E EASYPLUS M 3017 SH, is in compliance with Directive 2014/53/EU.

The full text of the EU declaration of conformity is available at the following internet address: <https://www.niceforyou.com/en/support>.

COMPLIANCE WITH THE FCC RULES (PART 15) AND RSS-210 RULES

This device complies with Industry Canada’s licence-exempt RSS-210s, and with Part 15 of the FCC rules of the United States of America. Operation is subject to the following two conditions: (1) this device may not cause interference; (2) this device must accept any interference, including interference that may cause undesired operation of the device. Any changes or modifications made to this device, without the express permission of the manufacturer, may void the user’s authority to operate this device.

Manuale completo

Nota alla consultazione del manuale – Alcune figure citate nel testo sono riportate alla fine del manuale.

1 AVVERTENZE E PRECAUZIONI GENERALI PER LA SICUREZZA

- **Attenzione!** – Istruzioni importanti per la sicurezza: conservare queste istruzioni.
- **Attenzione!** – Per la sicurezza delle persone è importante rispettare queste istruzioni; pertanto, prima di iniziare il lavoro, leggere attentamente questo manuale.

1.1 - Avvertenze per l'installazione

- Tutte le operazioni di installazione, di collegamento, di programmazione e di manutenzione del prodotto devono essere effettuate esclusivamente da un tecnico qualificato e competente, rispettando le leggi, le normative, i regolamenti locali e le istruzioni riportate in questo manuale.
- Prima di iniziare l'installazione leggere il paragrafo 3.1 per verificare se il prodotto è adatto ad automatizzare la vostra tapparella (o tenda). Se non è adatto, NON procedere all'installazione.
- Tutte le operazioni di installazione e di manutenzione del prodotto devono essere effettuate con l'automatismo scollegato dall'alimentazione elettrica. Inoltre, prima di iniziare il lavoro, attaccare sul dispositivo di connessione un cartello con la scritta "ATTENZIONE! MANUTENZIONE IN CORSO".
- Prima di iniziare le operazioni di installazione, allontanare tutti i cavi elettrici che non sono coinvolti nel lavoro; inoltre, disattivare tutti i meccanismi non necessari al funzionamento motorizzato della vostra tapparella (o tenda).
- Durante l'installazione, mantenere le persone lontane dalla tapparella (o dalla tenda) quando questa è in movimento.
- La lista delle parti meccaniche necessarie ad accoppiare il presente motore con la tapparella (o con la tenda) è riportata nel catalogo dei prodotti Nice.
- Se il prodotto è installato ad un'altezza inferiore a 2,5 m dal pavimento o da altra superficie di appoggio, è necessario proteggere le sue parti in movimento con una copertura, per impedire l'accesso accidentale. Per la protezione fare riferimento al manuale istruzioni della tapparella (o della tenda), garantendo in ogni caso l'accesso per gli interventi di manutenzione.
- Nelle tende da sole, è necessario garantire una distanza orizzontale minima di 40 cm tra la tenda completamente aperta e un eventuale oggetto fisso, posizionato di fronte.
- Durante l'installazione maneggiare con cura il prodotto (fig. 1): evitare schiacciamenti, urti, cadute o contatti con qualsiasi liquido; non introdurre oggetti appuntiti nel motore; non forare e non applicare viti all'esterno del motore; non mettere il prodotto vicino a fonti di calore e non esporlo a fiamme libere.
- Queste azioni possono danneggiare il prodotto ed essere causa di malfunzionamenti o situazioni di pericolo. In questi casi sospendere immediatamente l'installazione e rivolgersi al Servizio Assistenza Nice.
- Non applicare viti sul rullo avvolgitore, nel tratto attraversato internamente dal motore. Queste viti potrebbero danneggiare il motore.
- Non smontare il prodotto oltre le operazioni previste in questo manuale.
- Non eseguire modifiche su nessuna parte del prodotto oltre a quelle previste in questo manuale. Il costruttore declina ogni responsabilità per danni derivanti da modifiche arbitrarie al prodotto.
- Il cavo di alimentazione del motore è in PVC ed è adatto all'uso in ambienti interni. Per l'uso in altri ambienti proteggere il cavo per tutta la sua lunghezza, inserendolo in un condotto specifico per la protezione dei cavi elettrici.
- Il cavo di alimentazione dell'apparecchio non può essere sostituito. Se il cavo è danneggiato l'apparecchio deve essere rottamato.

1.2 - Avvertenze per l'uso

- Il prodotto non è destinato a essere usato da persone (bambini compresi) le cui capacità fisiche, sensoriali o mentali siano ridotte, oppure con mancanza di esperienza o di conoscenza.
- Non permettere ai bambini di giocare con i dispositivi di comando fissi.
- Durante l'esecuzione di una manovra controllare l'automazione e mantenere le persone a distanza di sicurezza, fino al termine del movimento.
- Non comandare l'automazione quando nei suoi pressi si stanno svolgendo lavori come la pulizia dei vetri, la manutenzione, ecc.. Scollegare l'alimentazione elettrica prima di eseguire questi lavori.
- Ricordatevi di controllare spesso le molle di bilanciamento e l'usura dei cavi (se questi meccanismi sono presenti). Non utilizzare l'automazione se questa necessita di regolazioni o riparazione; rivolgersi esclusivamente a personale tecnico specializzato per la soluzione di questi problemi.

2 DESCRIZIONE DEL PRODOTTO E DESTINAZIONE D'USO

Era Plus è una famiglia di motori tubolari destinati all'automatizzazione di tapparelle, tende da sole, schermi solari e altre applicazioni similari (fig. 2). **È vietato qualsiasi altro uso! Il produttore non risponde dei danni derivanti da un uso improprio del prodotto, rispetto a quanto descritto in questo manuale.**

Il prodotto ha le seguenti caratteristiche:

- è alimentato dalla rete elettrica (consultare i dati nella targa del motore);
- si installa all'interno del rullo avvolgitore; la parte del motore che sporge dal rullo (testa elettronica) si fissa al soffitto o alla parete con apposite staffe di supporto (non presenti nella confezione);
- integra un ricevitore radio e una centrale di comando. Quest'ultima garantisce il controllo elettronico del movimento e l'arresto automatico nel finecorsa "0" (tapparella o tenda totalmente arrotolata) e nel finecorsa "1" (tapparella o tenda totalmente srotolata). Vedere la fig. 4;
- è compatibile con tutti i dispositivi elettronici di comando di Nice screen (trasmettitori e sensori climatici);
- può essere comandato via radio o via cavo, utilizzando vari accessori opzionali, non presenti nella confezione (vedere la fig. 5);
- La programmazione dei finecorsa si effettua con i tasti a forma di "freccia" presenti sulla testa del motore. Le altre funzioni si programmano via radio, con un trasmettitore portatile (accessori non presenti nella confezione);
- è progettato per l'uso residenziale e, dunque, per un uso discontinuo. Garantisce comunque un tempo di lavoro continuo, specificato nei dati di targa;
- è dotato di un sistema di protezione termica che, in caso di surriscaldamento dovuto a un utilizzo continuo dell'automazione, oltre i limiti previsti, interrompe automaticamente l'alimentazione elettrica e la ripristina appena la temperatura rientra nella norma;
- è disponibile in varie versioni, ciascuna con una determinata coppia motore (potenza).

3 INSTALLAZIONE DEL MOTORE E DEGLI ACCESSORI

3.1 - Verifiche preliminari all'installazione e limiti d'impiego

- Verificare l'integrità del prodotto subito dopo averlo sballato.
- Il presente prodotto è disponibile in varie versioni, ognuna con una coppia motore specifica. Ogni versione è progettata per movimentare tapparelle (o tende) con determinate dimensioni e peso. Pertanto, prima dell'installazione, accertarsi che i parametri di coppia motore, velocità di rotazione e tempo di funzionamento del presente prodotto siano idonei ad automatizzare la vostra tapparella (o tenda) (fare riferimento alla "Guida alla scelta" presente nel catalogo dei prodotti Nice - www.niceforyou.com). In particolare, **non installare il prodotto se la sua coppia motore è maggiore di quella necessaria a muovere la vostra tapparella (o tenda).**
- Verificare il diametro del rullo avvolgitore. Questo deve essere scelto in base alla coppia del motore, nel modo seguente:
 - per i motori di taglia "M" ($\varnothing = 45$ mm) e con una coppia fino a 35 Nm (compresa), il diametro interno minimo del rullo avvolgitore deve essere di 52 mm;
 - per i motori di taglia "M" ($\varnothing = 45$ mm) e con una coppia maggiore di 35 Nm, il diametro interno minimo del rullo avvolgitore deve essere di 60 mm;
 - per i motori di taglia "L" ($\varnothing = 58$ mm), il diametro interno minimo del rullo avvolgitore deve essere di 70 mm.
- Prima di automatizzare una tenda, verificare che davanti a questa ci sia spazio libero, sufficiente alla sua apertura totale prevista.
- In caso di installazione all'esterno, garantire al motore un'adeguata protezione dagli agenti atmosferici.

Ulteriori limiti d'impiego sono contenuti nei capitoli 1, 2 e nelle "Caratteristiche tecniche".

3.2 - Assemblaggio e installazione del motore tubolare

Attenzione! – Prima di procedere leggere attentamente le avvertenze riportate nei paragrafi 1.1 e 3.1. L'installazione non corretta può causare gravi ferite.

Per assemblare e installare il motore fare riferimento alla fig. 6. Inoltre consultare il catalogo dei prodotti Nice o il sito www.niceforyou.com per scegliere la corona del finecorsa (fig. 6-a), la ruota di trascinamento (fig. 6-b) e la staffa di fissaggio del motore (fig. 6-f).

3.3 - Installazione degli accessori


Dopo aver installato il motore occorre installare anche gli accessori, se questi sono previsti. Per identificare quelli compatibili e scegliere i modelli desiderati fare riferimento al catalogo dei prodotti Nice, presente anche nel sito www.niceforyou.com. Invece, per approfondire le funzionalità degli accessori e programmarne le opzioni desiderate, leggere il capitolo 6. La fig. 5 mostra la tipologia degli accessori compatibili e il loro collegamento al motore (tutti questi sono opzionali e non presenti nella confezione).

4 COLLEGAMENTI ELETTRICI E PRIMA ACCENSIONE

I collegamenti elettrici devono essere effettuati solo dopo aver installato il motore e gli accessori compatibili previsti.

Il cavo elettrico del motore è formato dai seguenti cavi interni (fig. 5):

Cavo	Colore	Collegamento
1	Marrone	Fase di alimentazione
2	Blu	Neutro
3	Giallo-verde	Terra



4.1 - Collegamento del motore alla rete elettrica

Utilizzare i cavi 4, 5, 6 (fig. 5) per collegare il motore alla rete elettrica, rispettando le seguenti avvertenze:

- rispettare scrupolosamente i collegamenti indicati in questo manuale;
- un collegamento errato può provocare guasti o situazioni di pericolo.

4.2 - Installazione dei dispositivi di protezione all'interno della rete di alimentazione elettrica

In conformità alle regole di installazione elettrica, nella rete che alimenta il motore è necessario prevedere un dispositivo di protezione contro il corto circuito e un dispositivo di sconnessione dalla rete elettrica (i due dispositivi non sono presenti nella confezione). **Attenzione!** – Il dispositivo di sconnessione deve avere una distanza di apertura tra i contatti, tale da consentire la disconnessione completa dell'alimentazione, nelle condizioni stabilite dalla categoria di sovratensione III.

Il dispositivo di sconnessione deve essere collocato in vista dell'automazione e, se non è visibile, deve prevedere un sistema che blocca un'eventuale riconnessione accidentale o non autorizzata dell'alimentazione, al fine di scongiurare qualsiasi pericolo.

4.3 - Collegamento degli accessori al motore

Accessori collegabili via radio (trasmettitori portatili e qualche modello di sensore climatico): memorizzare questi accessori nel motore durante le fasi della Programmazione, facendo riferimento alle procedure riportate in questo manuale e a quelle riportate nei manuali dei dispositivi.

5 PROGRAMMAZIONI E REGOLAZIONI

5.1 - Trasmettitore da utilizzare per le procedure di programmazione

- Le procedure di programmazione possono essere eseguite esclusivamente con un trasmettitore Nice dotato almeno dei tasti ▲, ■, ▼.
- Le procedure di programmazione devono essere eseguite esclusivamente con un trasmettitore memorizzato in "Modo I" (paragrafo 5.7 o 5.9.1).
- Se il trasmettitore utilizzato per la programmazione comanda più gruppi di automazioni, durante una procedura, prima di inviare un comando è necessario selezionare il "gruppo" al quale appartiene l'automazione che si sta programmando.

5.2 - Posizioni nelle quali la tapparella (o la tenda) si ferma automaticamente

Il sistema elettronico che controlla in ogni istante il movimento della tapparella (o della tenda), è in grado di fermarlo autonomamente quando la tapparella (o la tenda) raggiunge una determinata posizione programmata dall'installatore. Le posizioni programmabili sono (fig. 4):

- posizione "0" = finecorsa alto: tapparella (o tenda) totalmente arrotolata;
- posizione "1" = finecorsa basso: tapparella (o tenda) totalmente srotolata.

Quando i finecorsa non sono ancora programmati, il movimento della tapparella (o della tenda) può avvenire solo con l'"uomo presente", cioè mantenendo premuto il tasto di comando per la durata desiderata della manovra; il movimento si ferma appena l'utente rilascia il tasto. Invece, dopo la programmazione dei finecorsa, basterà un semplice impulso sul tasto desiderato per far partire la tapparella (o la tenda) e il movimento terminerà autonomamente appena la tapparella (o la tenda) raggiunge la posizione prevista.

5.3 - Avvertenze generali

- La regolazione dei finecorsa deve essere fatta dopo aver installato il motore nella tapparella (o nella tenda) e averlo collegato all'alimentazione.
- Nelle installazioni in cui sono presenti più motori e/o più ricevitori, prima di iniziare la programmazione è necessario togliere l'alimentazione elettrica ai motori e ai ricevitori che non si desidera programmare.
- Rispettare rigorosamente i limiti di tempo indicati nelle procedure: dal rilascio di un tasto si hanno 60 secondi per premere il tasto successivo previsto nella procedura, altrimenti, allo scadere del tempo il motore esegue 6 movimenti per comunicare l'annullamento della procedura in corso.
- Durante la programmazione il motore esegue un determinato numero di brevi movimenti, come "risposta" al comando inviato dall'installatore. È importante contare il numero di questi movimenti senza considerare la direzione nella quale vengono

eseguiti.

- Ogni volta che il motore viene alimentato esegue **2 movimenti** per segnalare che si trova in una (o in alcune) delle seguenti condizioni:
 - memoria radio vuota (nessun trasmettitore programmato);
 - uno o entrambi i pulsanti "a freccia" non abbassati (oppure uno o entrambi i finecorsa non programmati);
 - senso di rotazione del motore non programmato (in questo caso il motore si muove solo "con l'uomo presente", entro i limiti dei finecorsa, se questi sono programmati);
 - motore "vergine", cioè con le impostazioni di fabbrica (oppure con la memoria totalmente cancellata tramite la procedura 5.10).

5.4 - Panoramica sui trasmettitori

5.4.1 - Trasmettitori compatibili

Consultare il catalogo dei prodotti Nice oppure il sito www.niceforyou.com per conoscere i dispositivi di comando Nice compatibili con il ricevitore radio integrato nel motore.

5.4.2 - Gerarchia nella memorizzazione dei trasmettitori

In generale un trasmettitore può essere memorizzato come PRIMO trasmettitore oppure come SECONDO trasmettitore (o terzo, quarto, ecc.).

A - Primo trasmettitore

Un trasmettitore può essere memorizzato come primo trasmettitore soltanto se nel motore non è memorizzato nessun altro trasmettitore. Per questa memorizzazione eseguire la procedura 5.7 (questa memorizza il trasmettitore in "Modo I").

B - Secondo (o terzo, quarto, ecc.) dispositivo trasmittente

Un trasmettitore portatile (o un sensore climatico radio) può essere memorizzato come secondo (o terzo, quarto, ecc.) dispositivo trasmittente soltanto se nel motore è già memorizzato il Primo Trasmettitore. Per questa memorizzazione eseguire una delle procedure riportate nel paragrafo 5.9.

5.4.3 - Due modalità per memorizzare i tasti di un trasmettitore

Per memorizzare i tasti di un trasmettitore possono essere utilizzate due modalità, alternative tra loro, denominate: "Modo I" e "Modo II".

- **"MODO I"** – Questa modalità trasferisce automaticamente, tutti insieme, i vari comandi disponibili nel motore, nei vari tasti disponibili sul trasmettitore, senza dare la possibilità all'installatore di modificare l'abbinamento tra comandi e tasti. Al termine della procedura ogni tasto risulterà abbinato a un determinato comando, secondo il seguente schema:

- tasto ▲ (oppure tasto 1): sarà abbinato al comando di **Salita**
- tasto ■ (oppure al tasto 2): sarà abbinato al comando di **Stop**
- tasto ▼ (oppure al tasto 3): sarà abbinato al comando di **Discesa** (se sul trasmettitore è presente un quarto tasto.....)
- tasto 4: sarà abbinato al comando di **Stop**

Nota – Se i tasti del vostro trasmettitore sono privi di simboli e numeri, fare riferimento alla fig. 3 per identificarli.

- **"MODO II"** – Questa modalità permette di abbinare manualmente uno dei comandi disponibili nel motore, con uno dei tasti del trasmettitore, dando la possibilità all'installatore di scegliere il comando e il tasto desiderato. Al termine della procedura, per memorizzare un altro tasto con un altro comando desiderato, occorrerà ripetere di nuovo la procedura.

Attenzione! – Ogni automazione ha una propria lista di comandi memorizzabili in Modo II; nel caso del presente motore la lista dei comandi disponibili è riportata nella procedura 5.9.2.

5.4.4 - Numero di trasmettitori memorizzabili

Si possono memorizzare **30 trasmettitori** (compresi eventuali sensori climatici radio), se questi vengono memorizzati tutti in "Modo I", oppure si possono memorizzare **30 singoli comandi (tasti)**, se questi vengono memorizzati tutti in "Modo II". Le due modalità possono convivere fino al limite massimo di 30 unità memorizzate.

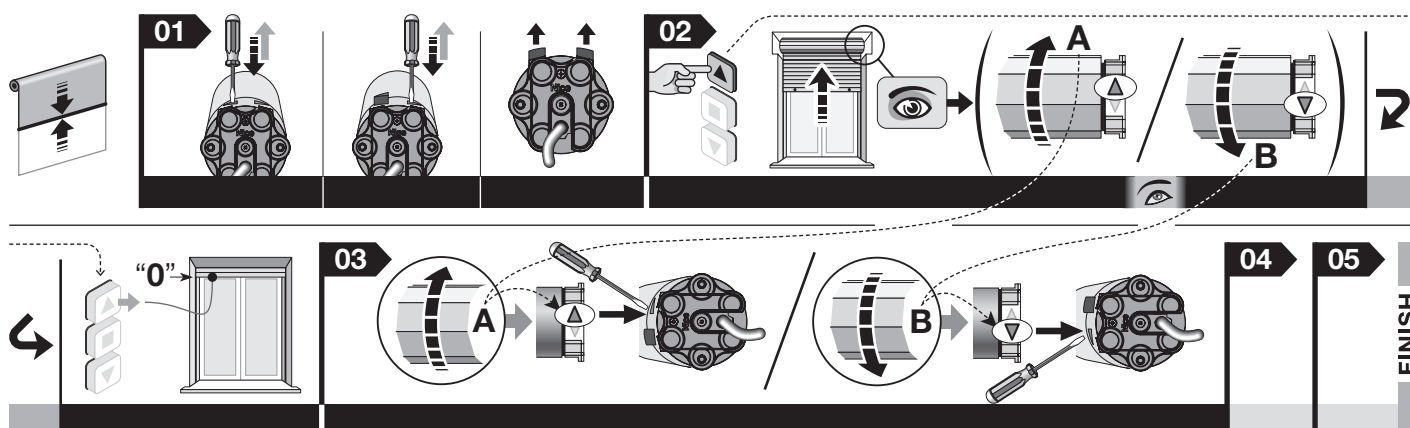
PROCEDURE → → →

5.5 - Programmazione dei due finecorsa

Durante i movimenti di salita e discesa il motore ferma automaticamente la tapparella (o la tenda) nel momento in cui questa raggiunge una posizione di finecorsa (**fig. 4**): posizione "0" = tapparella (o tenda) totalmente arrotolata; posizione "1" = tapparella (o tenda) totalmente srotolata. Per programmare queste posizioni procedere nel modo seguente.

Avvertenze:

- I due pulsanti "a freccia" presenti sulla testa del motore permettono, ciascuno, di programmare un finecorsa. Il motore esce di fabbrica con questi pulsanti schiacciati e, dunque, con i finecorsa già programmati con quote arbitrarie. Per regolare queste quote secondo le caratteristiche specifiche della vostra tapparella (o della vostra tenda), utilizzare la procedura che segue.
 - Al punto 02 della procedura, la prima quota da programmare può essere scelta liberamente, in base alle proprie necessità.
01. Accertarsi che i due pulsanti "a freccia" posizionati sulla testa del motore siano rilasciati, cioè che sporgano totalmente dalla superficie del motore. Se risultano a filo della superficie (posizione schiacciata), rilasciarli premendo a fondo ogni pulsante con l'ausilio di un cacciavite.
 02. Utilizzare la pulsantiera di comando a parete per portare la tapparella (o la tenda) alla quota desiderata per il finecorsa (nell'esempio è riportato il finecorsa Alto "0"). **IMPORTANTE!** – durante la manovra, osservare in quale direzione gira il rullo avvolgitore e, sulla testa del motore, individuare il pulsante con la freccia rivolta nella stessa direzione in cui gira il rullo. Quindi, fermare la manovra. **Nota** – Per effettuare un'eventuale regolazione fine della quota, utilizzare i due pulsanti della pulsantiera a parete.
 03. Infine, memorizzare la quota premendo a fondo (con l'ausilio di un cacciavite) il pulsante "a freccia" individuato prima, sulla testa del motore: questo **deve restare bloccato in posizione schiacciata**.
 04. Per regolare l'altro finecorsa utilizzare la pulsantiera di comando a parete per portare la tapparella (o la tenda) alla quota desiderata per questo finecorsa.
 05. Infine, memorizzare la quota premendo a fondo (con l'ausilio di un cacciavite) l'altro pulsante "a freccia" non utilizzato prima, sulla testa del motore: questo **deve restare bloccato in posizione schiacciata**.



5.6 - Per modificare soltanto una delle due quote di finecorsa memorizzate

Per modificare un finecorsa già memorizzato (senza modificare l'altro finecorsa), procedere nel modo seguente:

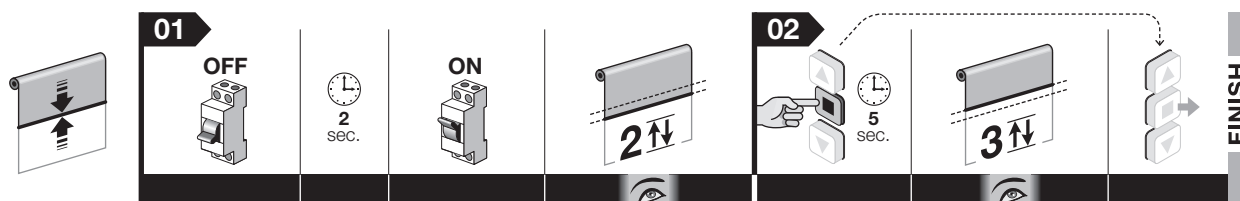
01. Comandare la tapparella (o la tenda) con la pulsantiera di comando a parete, facendola muovere per pochi centimetri nella direzione del finecorsa che si desidera modificare: **durante la manovra, osservare in quale direzione gira il rullo avvolgitore; quindi, sulla testa del motore individuare il pulsante con la freccia rivolta nella stessa direzione in cui gira il rullo** e fermare la manovra.
02. (sulla testa del motore) Con la tapparella (o la tenda) ferma, premere il pulsante "a freccia" (quello appena individuato), utilizzando un cacciavite. **Il pulsante deve restare in posizione alzata.**
03. Completare la manovra interrotta al punto 01 (con la pulsantiera di comando a parete), portando la tapparella (o la tenda) nella nuova quota del finecorsa. **Nota** – Per effettuare un'eventuale regolazione fine della quota, utilizzare i due pulsanti della pulsantiera a parete.
04. (sulla testa del motore) Con la tapparella (o la tenda) ferma nel finecorsa, memorizzare la nuova quota premendo a fondo (con l'ausilio di un cacciavite) il pulsante "a freccia" individuato prima, sulla testa del motore: **il pulsante deve restare bloccato in posizione abbassata.**

5.7 - Memorizzazione del PRIMO trasmettitore

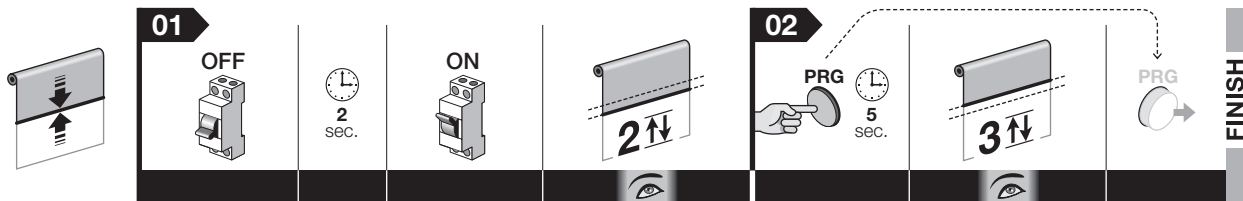
Avvertenza – Ogni volta che il motore viene alimentato, se nella sua memoria non è presente almeno un trasmettitore e le quote dei finecorsa, vengono eseguiti 2 movimenti.

Prima di iniziare la procedura portare la tapparella (o la tenda) a metà della sua corsa.

01. Togliere l'alimentazione elettrica al motore; attendere 2 secondi e dare di nuovo l'alimentazione: il motore esegue 2 movimenti.
02. Mantenere premuto il tasto ■ e attendere che il motore esegua 3 movimenti. Alla fine rilasciare il tasto.



Nota – Dopo la memorizzazione, la direzione di Salita e di Discesa della tapparella (o della tenda) non è ancora associata ai rispettivi tasti ▲ e ▼ del trasmettitore.



5.8 - Abbinamento della direzione di salita e discesa della tapparella (o della tenda) ai rispettivi tasti ▲ e ▼ del dispositivo di comando

Questa procedura può essere eseguita esclusivamente con un trasmettitore memorizzato in "Modo I".

Prima di iniziare la procedura portare la tapparella (o la tenda) a metà della sua corsa.

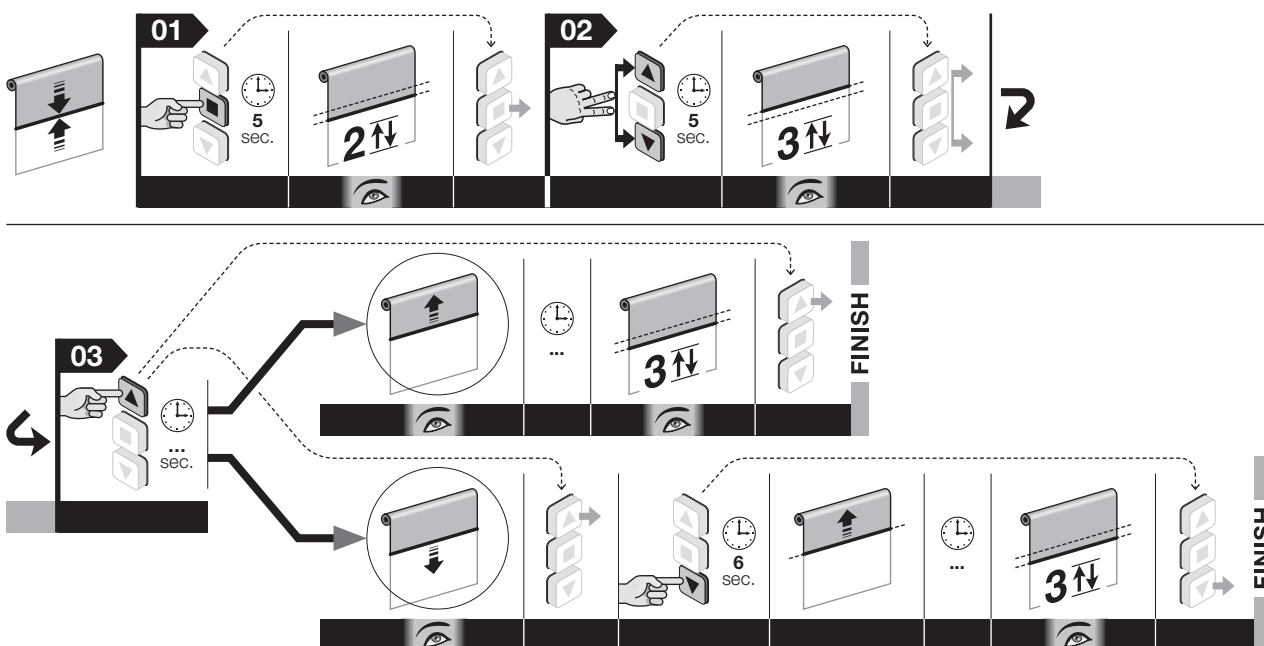
01. Mantenere premuto il tasto ■ e attendere che il motore esegua 2 movimenti. Alla fine rilasciare il tasto.

02. Mantenere premuti contemporaneamente i tasti ▲ e ▼ e attendere che il motore esegua 3 movimenti. Alla fine rilasciare i tasti.

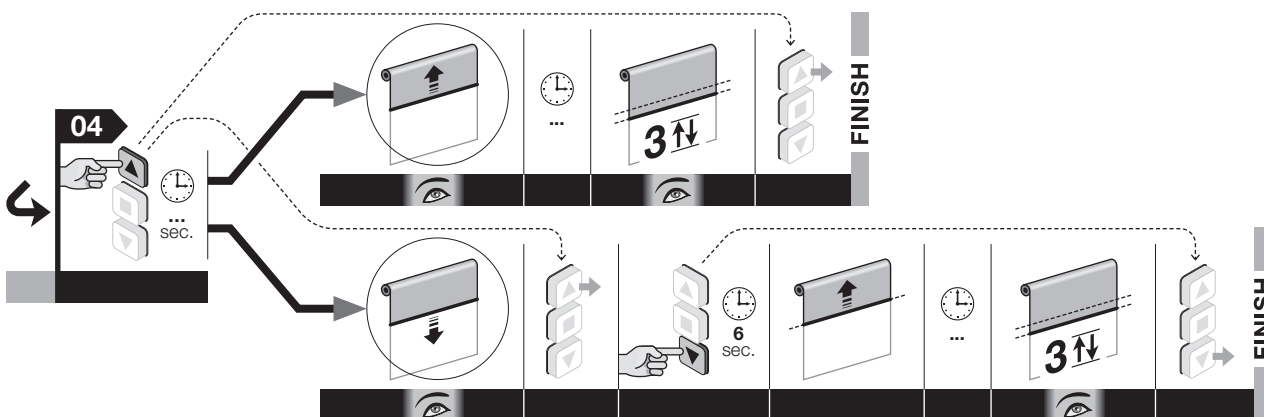
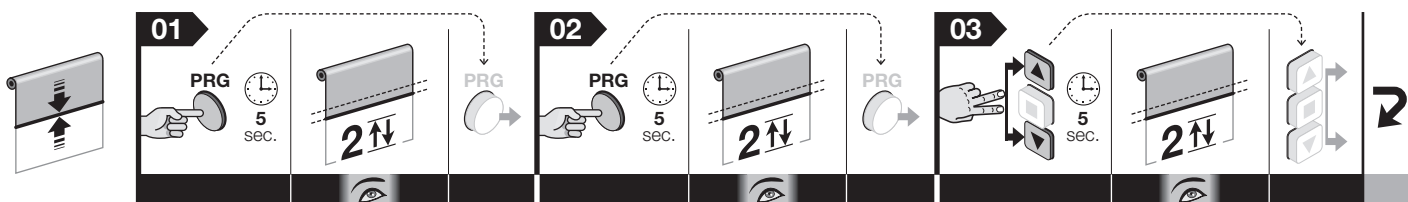
03. Mantenere premuto il tasto ▲ e...

• **se la tapparella (o la tenda) parte in direzione della SALITA** continuare a mantenere premuto il tasto ▲ e attendere che il motore esegua 3 movimenti. Alla fine rilasciare il tasto.

• **se la tapparella (o la tenda) parte in direzione della DISCESA** rilasciare il tasto ▲ e mantenere premuto il tasto ▼, attendendo che il motore esegua 3 movimenti. Alla fine rilasciare il tasto.



Nota – Durante l'esecuzione della procedura, in qualunque momento e possibile annullare la programmazione mantenendo premuti contemporaneamente i tasti ■ e ▼ per 4 secondi. In alternativa non premere alcun tasto e attendere 60 secondi che il motore esegua 6 movimenti.



5.9 - Memorizzazione di un SECONDO (terzo, quarto, ecc.) trasmettitore

Per eseguire le procedure è necessario avere a disposizione un altro trasmettitore già memorizzato ("vecchio").

5.9.1 - Memorizzazione di un secondo trasmettitore in "Modo I"

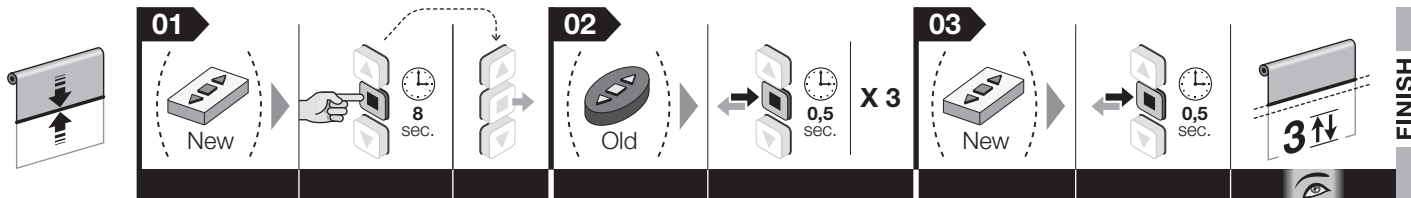
Attenzione! – La procedura memorizza il nuovo trasmettitore in "Modo I", indipendentemente dal Modo in cui è memorizzato il vecchio trasmettitore.

Prima di iniziare la procedura portare la tapparella (o la tenda) a metà della sua corsa.

01. (sul nuovo trasmettitore) Mantenere premuto il tasto ■ per 8 secondi e poi rilasciarlo (in questo caso il motore non esegue nessun movimento).

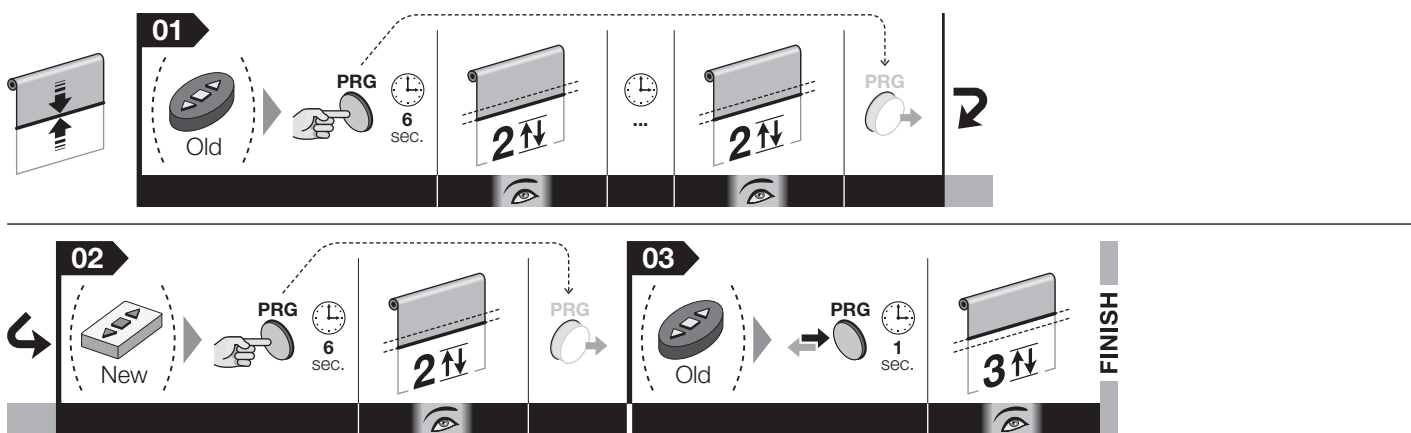
02. (sul vecchio trasmettitore) Dare 3 impulsi sul tasto ■, purché questo sia memorizzato.

03. (sul nuovo trasmettitore) Dare 1 impulso sul tasto ■. Dopo un attimo il motore esegue 3 movimenti per confermare la memorizzazione. **Attenzione!** – Se il motore esegue 6 movimenti significa che la sua memoria è piena.



Nota – Durante l'esecuzione della procedura, in qualunque momento è possibile annullare la programmazione mantenendo premuti contemporaneamente i tasti ■ e ▼ per 4 secondi. In alternativa non premere alcun tasto e attendere 60 secondi che il motore esegua 6 movimenti.

— Procedura 5.9.1 — eseguibile solo con un trasmettitore della serie Era P ed Era W



5.9.2 - Memorizzazione di un secondo trasmettitore in "Modo II"

Attenzione! – La procedura memorizza un tasto del nuovo trasmettitore in "Modo II", indipendentemente dal Modo in cui è memorizzato il tasto che si preme sul vecchio trasmettitore.

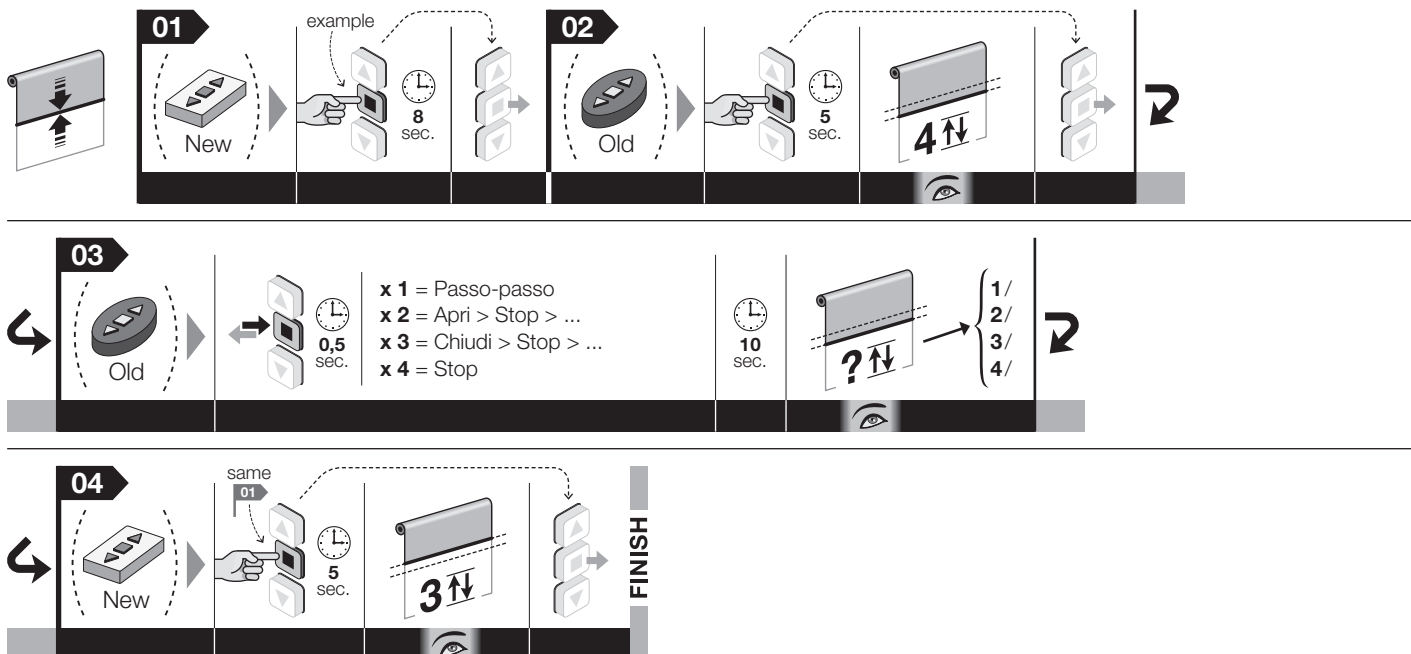
Prima di iniziare la procedura portare la tapparella (o la tenda) a metà della sua corsa.

01. (sul nuovo trasmettitore) Mantenere premuto per 8 secondi il tasto che si desidera memorizzare (esempio: tasto ■) e poi rilasciarlo (in questo caso il motore non esegue nessun movimento).

02. (sul vecchio trasmettitore) Mantenere premuto il tasto ■ e attendere che il motore esegua 4 movimenti. Alla fine rilasciare il tasto.

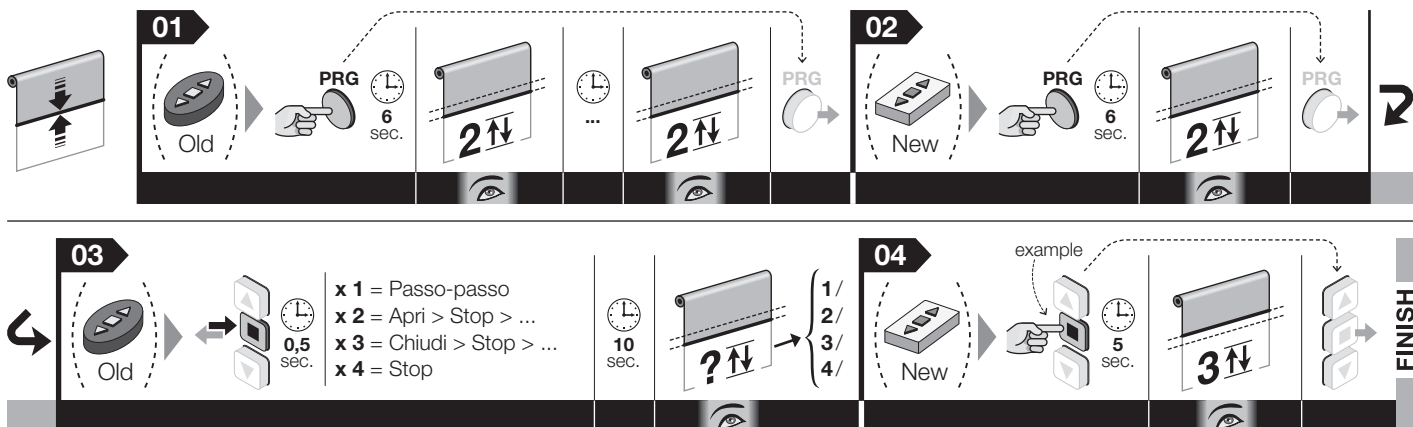
03. (sul vecchio trasmettitore) Premere brevemente il tasto ■ un certo numero di volte, in base al comando che si desidera memorizzare: • **1 impulso = comando Passo-Passo** • **2 impulsi = comando Apri > Stop > Apri > Stop > ...** • **3 impulsi = comando Chiudi > Stop > Chiudi > Stop > ...** • **4 impulsi = comando Stop**. Dopo circa 10 secondi il motore esegue un numero di movimenti uguale al numero di impulsi dati con il trasmettitore.

04. (sul nuovo trasmettitore) Mantenere premuto lo stesso tasto premuto al punto 01 e attendere che il motore esegua 3 movimenti. Alla fine rilasciare il tasto. **Attenzione!** – Se il motore esegue 6 movimenti significa che la sua memoria è piena.



Nota – Durante l'esecuzione della procedura, in qualunque momento è possibile annullare la programmazione mantenendo premuti contemporaneamente i tasti ■ e ▼ per 4 secondi. In alternativa non premere alcun tasto e attendere 60 secondi che il motore esegua 6 movimenti.

— Procedura 5.9.2 — eseguibile solo con un trasmettitore della serie Era P ed Era W



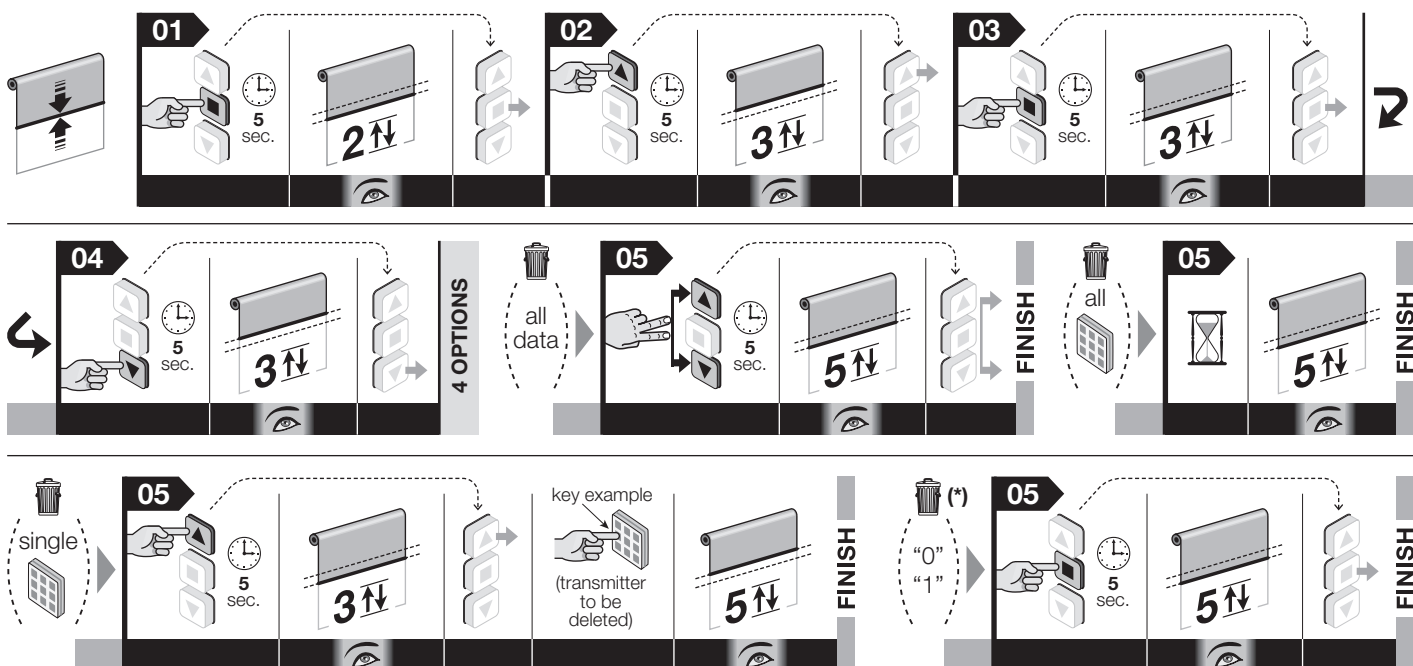
5.10 - Cancellazione totale o parziale della memoria

Questa procedura permette di scegliere al punto 05 i dati che si desidera cancellare.

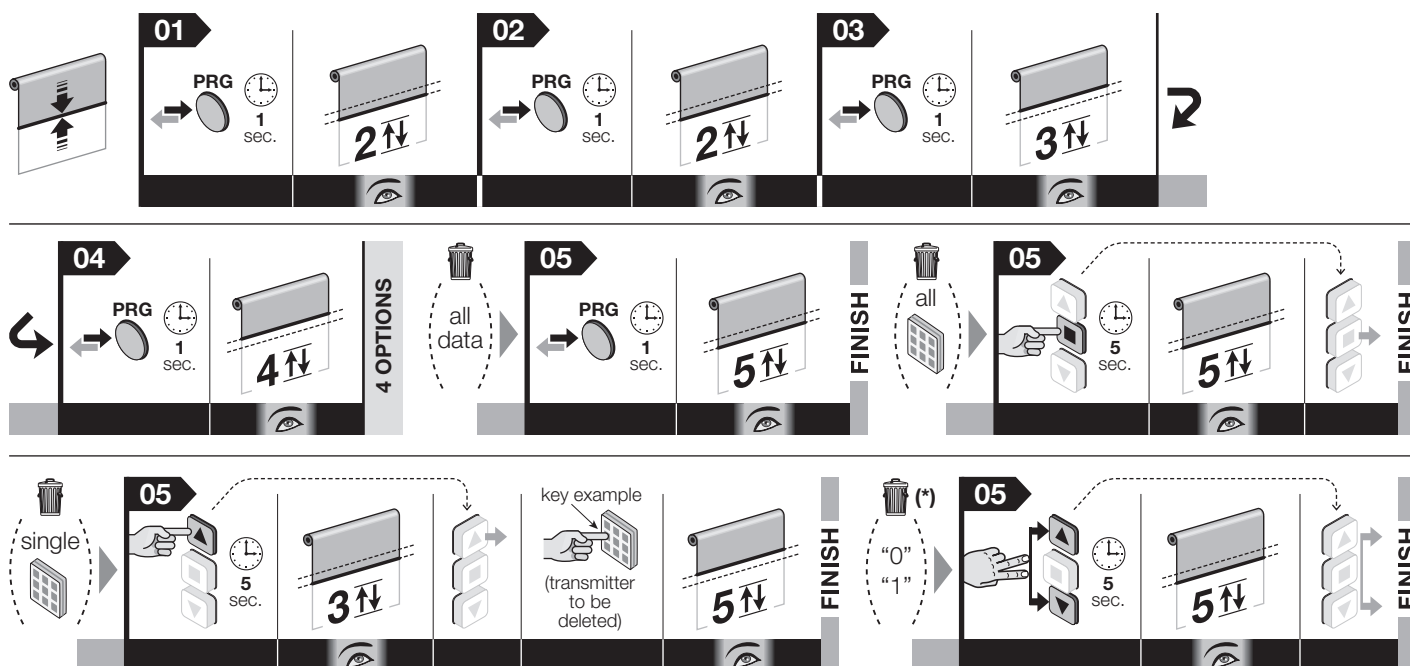
5.10.1 - Procedura eseguita con un trasmettitore memorizzato in "Modo I"

Prima di iniziare la procedura portare la tapparella (o la tenda) a metà della sua corsa.

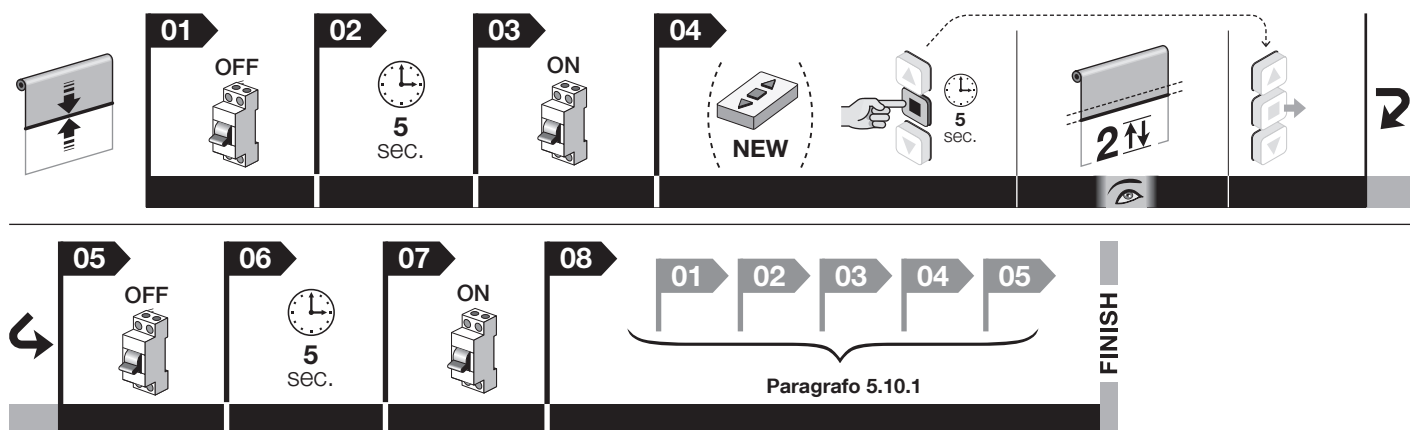
01. Mantenere premuto il tasto ■ e attendere che il motore esegua 2 movimenti. Alla fine rilasciare il tasto.
02. Mantenere premuto il tasto ▲ e attendere che il motore esegua 3 movimenti. Alla fine rilasciare il tasto.
03. Mantenere premuto il tasto ■ e attendere che il motore esegua 3 movimenti. Alla fine rilasciare il tasto.
04. Mantenere premuto il tasto ▼ e attendere che il motore esegua 3 movimenti. Alla fine rilasciare il tasto.
05. • **Per cancellare tutta la memoria:** mantenere premuti contemporaneamente i tasti ▲ e ▼ e attendere che il motore esegua 5 movimenti. Alla fine rilasciare i tasti.
• **Per cancellare tutti i trasmettitori memorizzati:** non premere nessun tasto e attendere che il motore esegua 5 movimenti.
• **Per cancellare un singolo trasmettitore memorizzato:** mantenere premuto il tasto ▲ e attendere che il motore esegua 3 movimenti. Alla fine rilasciare il tasto. Infine premere il tasto del trasmettitore che si desidera cancellare: il motore esegue 5 movimenti.
• **Per cancellare solo i parametri:** mantenere premuto il tasto ■ e attendere che il motore esegua 5 movimenti. Alla fine rilasciare il tasto.



Nota – Durante l'esecuzione della procedura, in qualunque momento è possibile annullare la programmazione mantenendo premuti contemporaneamente i tasti ■ e ▼ per 4 secondi. In alternativa non premere alcun tasto e attendere 60 secondi che il motore esegua 6 movimenti.



5.10.2 - Procedura eseguita con un trasmettitore non memorizzato

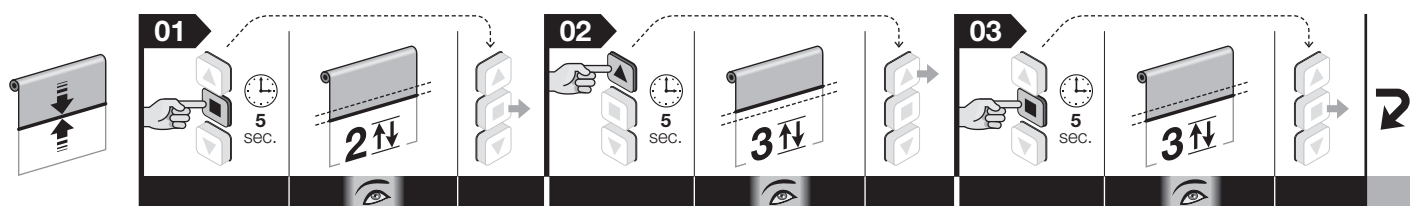


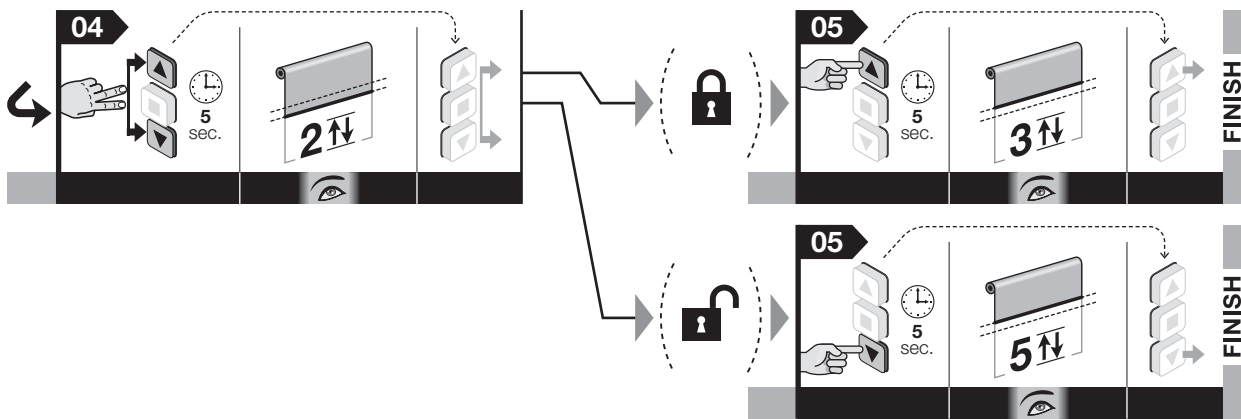
5.11 - Blocco o sblocco della memoria

Questa procedura permette di bloccare o sbloccare la memoria del motore per impedire la memorizzazione accidentale di altri trasmettitori non previsti nell'impianto.

Prima di iniziare la procedura portare la tapparella (o la tenda) a metà della sua corsa.

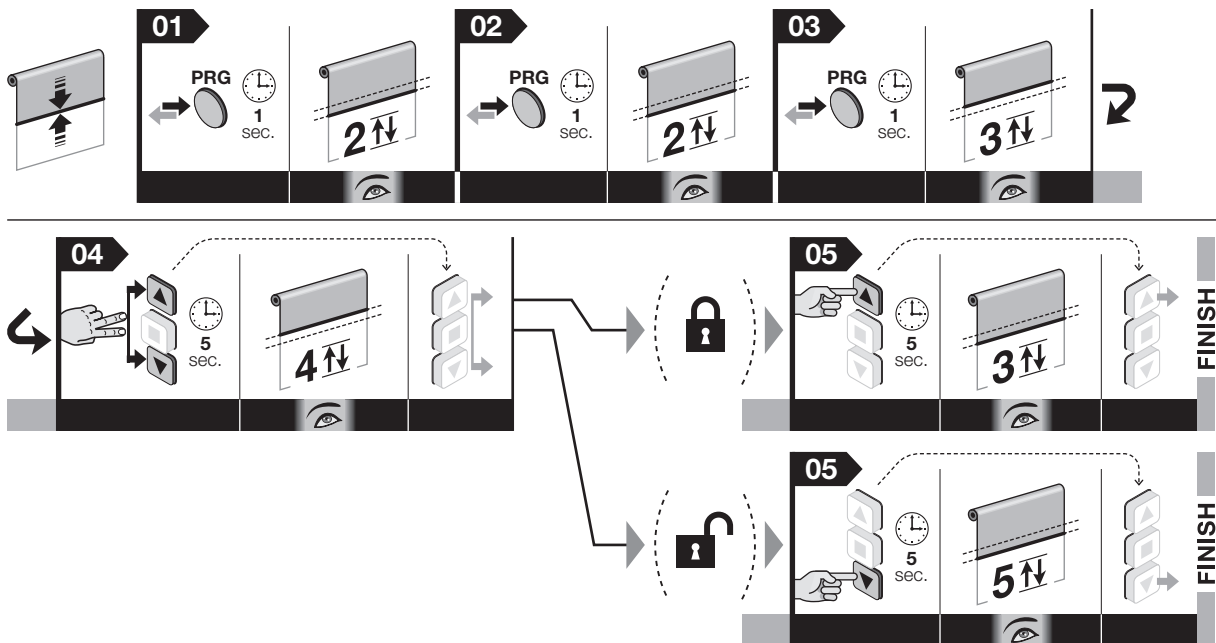
01. Mantenere premuto il tasto ■ e attendere che il motore esegua 2 movimenti. Alla fine rilasciare il tasto.
02. Mantenere premuto il tasto ▲ e attendere che il motore esegua 3 movimenti. Alla fine rilasciare il tasto.
03. Mantenere premuto il tasto ■ e attendere che il motore esegua 3 movimenti. Alla fine rilasciare il tasto.
04. Mantenere premuti contemporaneamente i tasti ▲ e ▼ e attendere che il motore esegua 2 movimenti. Alla fine rilasciare i tasti.
05. • **Per bloccare la memoria:** mantenere premuto il tasto ▲ e attendere che il motore esegua 3 movimenti. Alla fine rilasciare il tasto.
• **Per sbloccare la memoria:** mantenere premuto il tasto ▼ e attendere che il motore esegua 5 movimenti. Alla fine rilasciare il tasto.





Nota – Durante l'esecuzione della procedura, in qualsiasi momento è possibile annullare la memorizzazione mantenendo premuti contemporaneamente i tasti ■ e ▲ per 4 secondi. In alternativa non premere alcun tasto e attendere 60 secondi che il motore esegua 6 movimenti.

— Procedura 5.11 — eseguibile solo con un trasmettitore della serie Era P ed Era W



PROCEDURE PER ACCESSORI OPZIONALI (rif. Capitolo 6)

5.12 - Memorizzazione di un sensore climatico collegato via radio (rif. paragrafo 6.1.2)

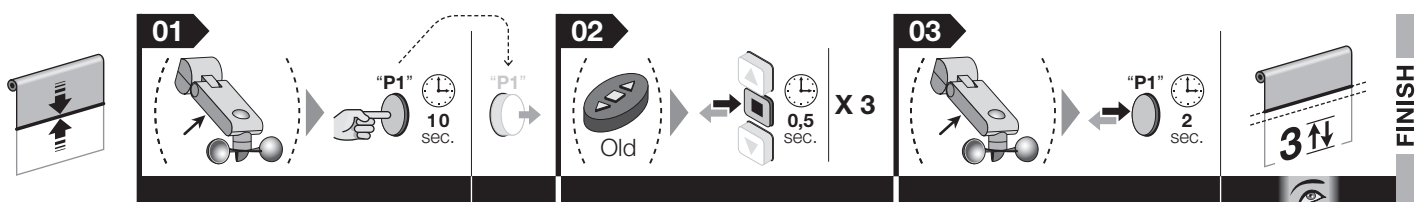
Per eseguire la procedura è necessario avere a disposizione un trasmettitore memorizzato in "Modo I".

Prima di iniziare la procedura portare la tapparella (o la tenda) a metà della sua corsa.

01. (sul sensore climatico) Mantenere premuto il tasto giallo per 10 secondi e poi rilasciarlo (in questo caso il motore non esegue nessun movimento).

02. (sul vecchio trasmettitore) Dare 3 impulsi sul tasto ■, purché questo sia memorizzato.

03. (sul sensore climatico) Mantenere premuto il tasto giallo per 2 secondi: il motore esegue 3 movimenti per confermare la memorizzazione. **Attenzione!** – Se il motore esegue 6 movimenti significa che la sua memoria è piena.

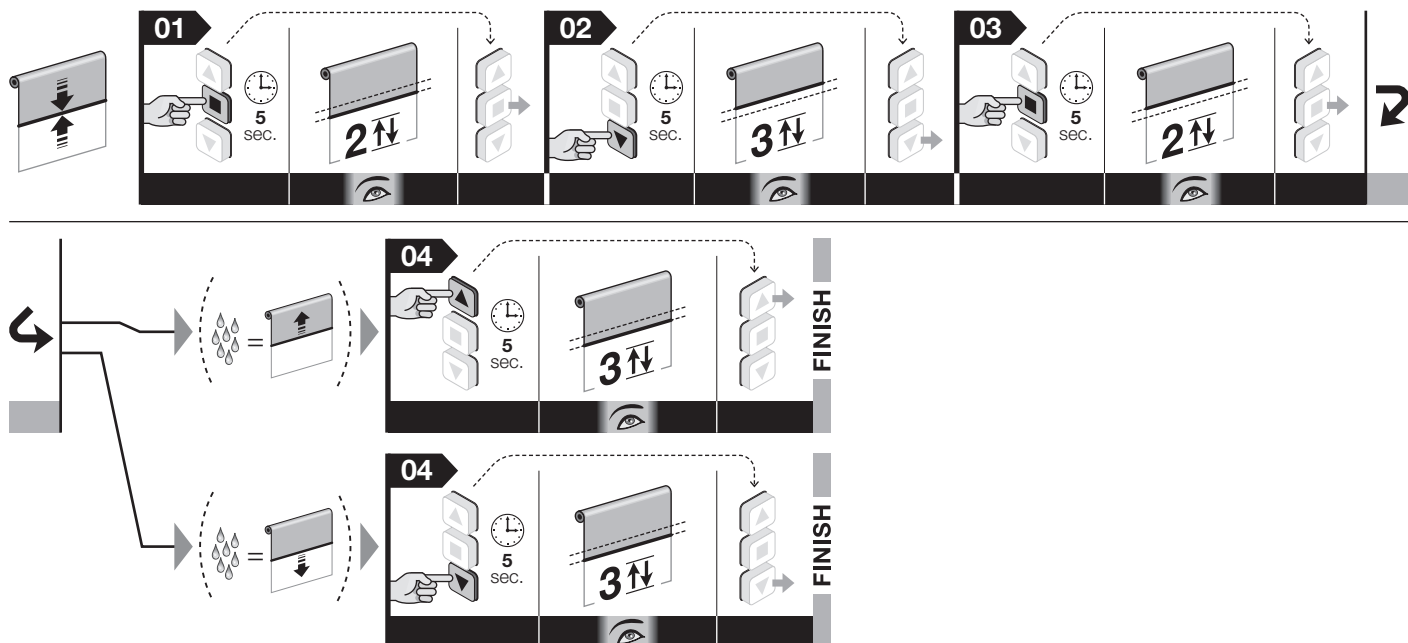


Nota – Durante l'esecuzione della procedura, in qualunque momento è possibile annullare la programmazione mantenendo premuti contemporaneamente i tasti ■ e ▼ per 4 secondi. In alternativa non premere alcun tasto e attendere 60 secondi che il motore esegua 6 movimenti.

5.13 - Programmazione del movimento (Salita o Discesa) che il motore deve eseguire automaticamente quando inizia a piovere (rif. paragrafo 6.1.4)

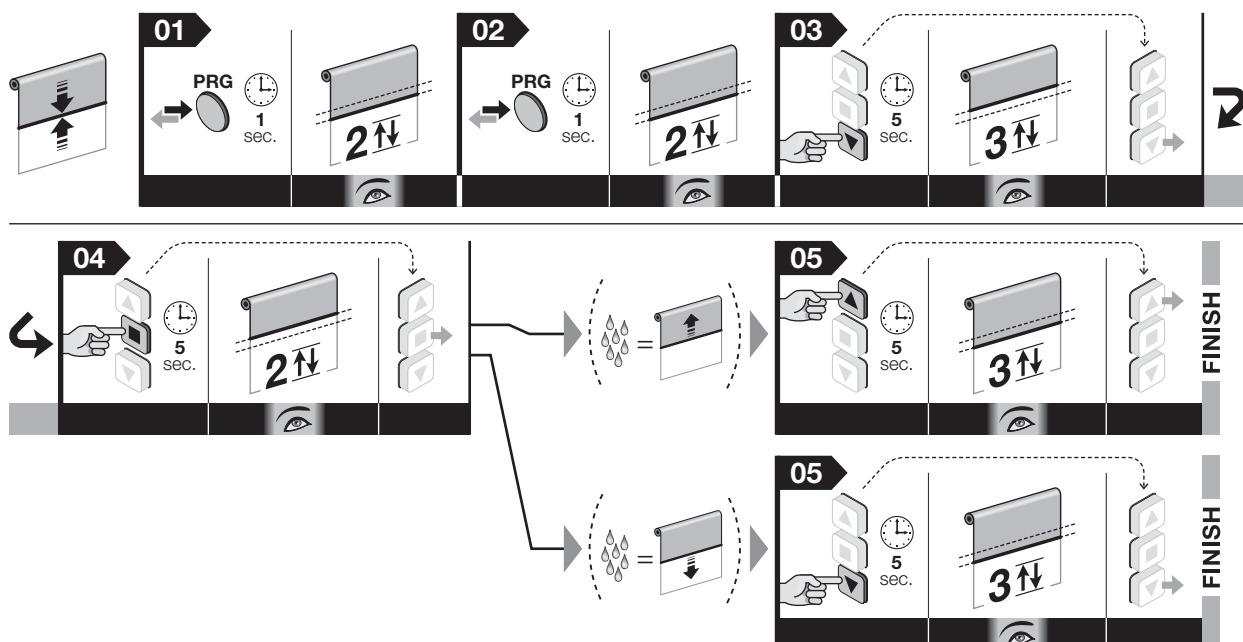
Prima di iniziare la procedura portare la tapparella (o la tenda) a metà della sua corsa.

01. Mantenere premuto il tasto **■** e attendere che il motore esegua 2 movimenti. Alla fine rilasciare il tasto.
02. Mantenere premuto il tasto **▼** e attendere che il motore esegua 3 movimenti. Alla fine rilasciare il tasto.
03. Mantenere premuto il tasto **■** e attendere che il motore esegua 2 movimenti. Alla fine rilasciare il tasto.
04. Programmare il movimento che il motore deve eseguire automaticamente quando inizia a piovere, scegliendo una delle seguenti opzioni:
 - per programmare la **Salita della tapparella (o della tenda)**: mantenere premuto il tasto **▲** e attendere che il motore esegua 3 movimenti. Alla fine rilasciare il tasto.
 - per programmare la **Discesa della tapparella (o della tenda)**: mantenere premuto il tasto **▼** e attendere che il motore esegua 3 movimenti. Alla fine rilasciare il tasto.

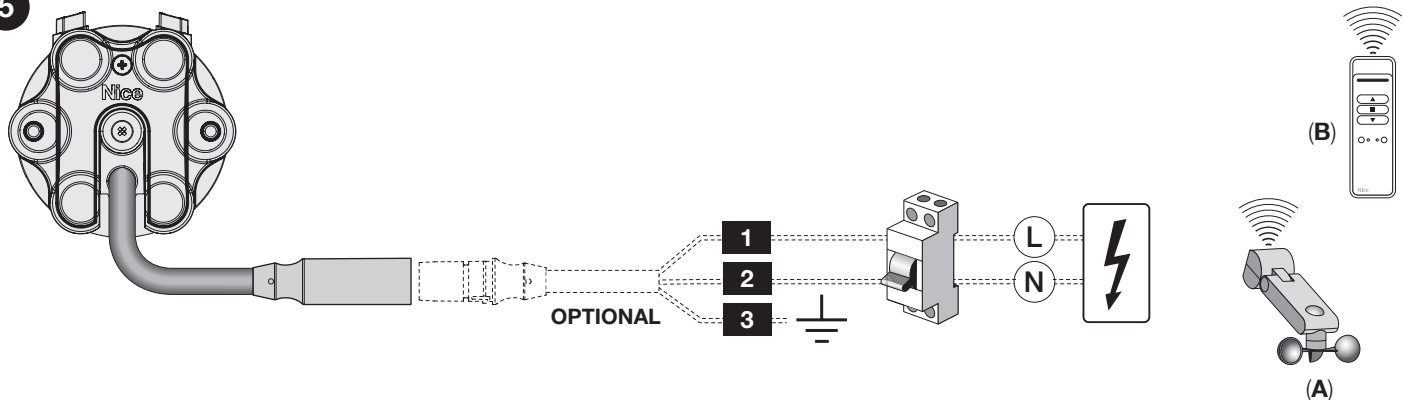


Nota – Durante l'esecuzione della procedura, in qualunque momento è possibile annullare la programmazione mantenendo premuti contemporaneamente i tasti **■** e **▼** per 4 secondi. In alternativa non premere alcun tasto e attendere 60 secondi che il motore esegua 6 movimenti.

— Procedura 5.13 — eseguibile solo con un trasmettitore della serie Era P ed Era W



5



• **CAVI:** 1) Marrone; 2) Blu; 3) Giallo-verde.

• **ACCESSORI:** A) Sensori climatici (via radio); B) Trasmettitori portatili (via radio).

6 ACCESSORI OPZIONALI

6.1 - Sensori climatici per vento, sole, pioggia

ATTENZIONE! – Utilizzare esclusivamente sensori climatici con collegamento radio al motore. Questi accessori comandano autonomamente i movimenti della tenda (o della tapparella) in base alle condizioni atmosferiche rilevate all'esterno.

Avvertenza – I sensori climatici non devono essere considerati dispositivi di sicurezza capaci di eliminare i guasti alla tenda (o alla tapparella) causati dall'effetto della pioggia o del vento forte; di fatto un banale black-out elettrico renderebbe impossibile il movimento automatico della tenda (o della tapparella). Pertanto, questi sensori devono essere considerati parte di un automatismo, utile alla salvaguardia della tenda (o della tapparella). Nice declina ogni responsabilità per danni materiali verificatisi a causa di eventi atmosferici non rilevati dai sensori.

6.1.1 - Definizioni e convenzioni

- **Comando manuale di "Sole On"** = abilita la ricezione, da parte del motore, dei comandi automatici trasmessi dal sensore "Sole", se presente nell'installazione. Nel periodo in cui la ricezione è abilitata l'utente può inviare i comandi manuali in qualsiasi momento: questi si sovrappongono al funzionamento automatico dell'automazione.
- **Comando manuale di "Sole Off"** = disabilita la ricezione, da parte del motore, dei comandi automatici trasmessi dal sensore "Sole", se presente nell'installazione. Nel periodo in cui la ricezione è disabilitata l'automazione funziona esclusivamente con i comandi manuali inviati dall'utente. I sensori "Vento" e "Pioggia" non possono essere disabilitati in quanto servono a proteggere l'automazione da questi fenomeni atmosferici.
- **Intensità "Sopra-soglia" del sole/vento** = condizione in cui l'intensità del fenomeno atmosferico corrisponde ai valori alti presenti al di sopra della soglia impostata.
- **Intensità "Sotto-soglia" del sole/vento** = condizione in cui l'intensità del fenomeno atmosferico corrisponde ai valori bassi presenti al di sotto della soglia impostata.
- **"Protezione vento"** = condizione nella quale il sistema inibisce tutti i comandi di apertura della tenda (o della tapparella), a causa dell'intensità sopra-soglia del vento.
- **"Presenza pioggia"** = condizione nella quale il sistema avverte la presenza della pioggia, rispetto alla precedente condizione di "assenza pioggia".
- **"Comando manuale"** = comando di Salita, di Discesa o di Stop inviato dall'utente tramite un trasmettitore.

6.1.2 - Memorizzazione di un sensore climatico collegato via radio

Per memorizzare un sensore climatico nel motore effettuare la procedura 5.12.

6.1.3 - Comportamenti del motore nelle singole condizioni meteorologiche

Gli accessori NEMO e VOLO permettono di automatizzare la tenda (o la tapparella) in funzione delle condizioni climatiche presenti nell'ambiente. Per la regolazione dei livelli di intervento vedere il manuale dei prodotti Nemo e Volo.

• Comportamento dell'automatismo in presenza del sensore Sole: fig. 7

Quando l'intensità della luce solare supera per almeno 2 minuti la soglia regolata (sopra soglia sole), il motore esegue in modo autonomo una manovra di discesa. Quando l'intensità della luce solare scende al di sotto della soglia d'isteresi prevista (sotto soglia sole), restandovi per almeno 15 minuti in modo continuo, il motore esegue in modo autonomo una manovra di salita. **Nota** – la soglia d'isteresi si posiziona a circa il 50% del valore della soglia sole regolata.

Cali momentanei dell'intensità solare, di breve entità o di durata inferiore a 15 minuti, non influiscono sul ciclo complessivo. I comandi manuali inviati dall'utente si sommano ai comandi automatici.

In fabbrica la soglia di intervento del sensore sole è impostata sul livello 3 (= 15 Klux). Se si desidera modificare questo valore utilizzare la procedura 5.16.

• Comportamento dell'automatismo in presenza del sensore Pioggia: fig. 8

Il sensore pioggia riconosce due condizioni: "assenza di pioggia" e "presenza di pioggia". Quando il motore riceve la segnalazione "presenza di pioggia", attiva automaticamente la manovra (Salita o Discesa) che l'installatore ha programmato per questa condizione(*). Il sensore pioggia si disattiva automaticamente quando rileva l'assenza di pioggia per un periodo di almeno 15 minuti.

(*) - Utilizzare la procedura 5.13 per programmare la manovra che il motore deve eseguire automaticamente quando il sensore pioggia gli segnala la "presenza di pioggia".

L'automatismo pioggia si disattiva dopo che il sensore ha verificato l'assenza di pioggia per almeno 15 minuti. I comandi manuali, anche in questo caso, sono sempre attivi e si sommano al comando generato automaticamente. In caso di comando manuale contrario al comando autonomo, l'automazione genera il comando manuale e allo stesso tempo avvia un timer di 15 minuti, alla fine del quale viene eseguito il comando automatico programmato (per esempio la chiusura della tenda o della tapparella).

Esempio: 1) La tenda (o la tapparella) è aperta. **2)** Inizia a piovere. **3)** La tenda (o la tapparella) si chiude. **4)** L'utente forza una apertura dopo qualche istante. **5)** La tenda (o la tapparella) si riapre. **6)** Dopo 15 minuti dall'apertura la tenda (o la tapparella) si richiude automaticamente. **7)** Smette di piovere per almeno 15 minuti. **8)** L'utente apre nuovamente la tenda (o la tapparella). **9)** La tenda (o la tapparella) resta aperta.

• Comportamento dell'automatismo in presenza del sensore Vento: fig. 9

Quando l'intensità del vento supera la soglia impostata, il sistema attiva la protezione vento e fa salire automaticamente la tenda (o la tapparella). A protezione inserita, i comandi manuali sono disattivati (non è possibile far scendere la tenda o la tapparella). Al termine del periodo di interdizione, vengono abilitati i comandi manuali e dopo 10 minuti viene ripristinato il funzionamento automatico.

In fabbrica la soglia di intervento del sensore vento è impostata sul livello 3 (= vento a 15 Km/h). Se si desidera modificare questo valore utilizzare la procedura 5.17.

• Comportamento incrociato delle varie condizioni meteo

Ogni condizione ha una priorità. La scala delle priorità è la seguente: vento, pioggia, sole. Il vento è il fenomeno con priorità maggiore. Il fenomeno con priorità maggiore azzerà lo stato di quello con priorità inferiore.

Esempio: 1) In una bella giornata di sole la tenda (o la tapparella) scende per effetto di quest'ultimo. **2)** Se arrivano le nuvole e cade una goccia di pioggia sul sensore, il motore azzerà la condizione di "sole presente" e comanda la manovra prevista per la condizione di "presenza di pioggia". **3)** Se la velocità del vento cresce e supera la soglia impostata, il motore disattiva la sequenza automatica prevista per la pioggia e comanderà una manovra di salita congelando la tenda (o la tapparella) in chiusura fino a quando il vento sarà presente. **4)** Quando il temporale termina, dopo 10 minuti decade la condizione di allarme vento e, a questo punto, se c'è ancora la condi-

zione di "presenza di pioggia" viene riabilitata tale condizione e viene ricomandata la manovra prestabilita. Al termine della condizione di pioggia viene riabilitata la routine del sole. Se l'intensità luminosa supera la soglia la tenda (o la tapparella) si riaprirà. Quando l'intensità luminosa scende sotto il livello di sotto soglia sole, dopo 15 minuti verrà comandata una manovra di salita.

• Comandi di "Sole-On" e "Sole-Off"

Il comando "Sole-ON" abilita il funzionamento dell'automatismo mentre il comando "Sole-OFF" lo disabilita. Se l'utente invia il comando "Sole-On" (automatismo abilitato) e in quel momento c'è presenza di sole, il sistema comanda l'apertura della tenda (o della tapparella). Se l'automatismo era già abilitato, all'invio di un altro comando "Sole-On" il sistema viene resettato e gli algoritmi ripartono da capo, con effetto immediato. Se inviando un comando "Sole-On" il livello di luminosità del sole non permette l'apertura (sovra soglia sole non superata), il motore genererà un comando di chiusura concorde con la condizione presente. Nel caso che non ci siano i presupposti per un movimento (per esempio tenda (o tapparella) chiusa e assenza di sole), all'arrivo del comando "Sole-On" il motore rimane fermo. Inviando un comando "Sole Off" l'automatismo viene disabilitato.

Esempio: la tenda (o la tapparella) è chiusa; viene inviato il comando "Sole-On"; se c'è sole la tenda (o la tapparella) si apre subito senza attendere 2 minuti.

Disabilitando l'automatismo viene inibita la movimentazione automatica collegata alle variazioni di luminosità del sole. L'automatismo associato al vento e alla pioggia non possono essere disabilitati.

6.1.4 - Programmazione della direzione nella quale viene movimentata la tenda (o la tapparella) in caso di pioggia

In caso di pioggia il sistema comanda automaticamente una manovra di salita (impostazione di fabbrica). Per cambiare tale impostazione effettuare la procedura 5.13.

7 AVVERTENZE PER L'USO DELL'AUTOMAZIONE

7.1 - Massimo ciclo di lavoro continuo

In generale, i motori della linea "Era" sono progettati per l'impiego residenziale e, dunque, per un uso discontinuo. Garantiscono un tempo di utilizzo continuo di massimo 4 minuti e nei casi di surriscaldamento (ad esempio, a causa di un azionamento continuo e prolungato) interviene automaticamente un "protettore termico" di sicurezza che interrompe l'alimentazione elettrica e la ripristina quando la temperatura rientra nei valori normali.

Cosa fare se... (guida alla soluzione dei problemi)

- **Inviando un comando di movimento o pigiando il pulsante per avviare una manovra, il motore non parte.**
 - a) Verificare se è in atto la protezione termica del motore. In questo caso, per ripristinare il normale funzionamento basta aspettare che il motore si raffreddi.
 - b) Verificare se c'è tensione di rete e se questa corrisponde ai valori riportati nella targa del motore.
 - c) Verificare se il motore è bloccato nei fincorsa, in entrambi i sensi di rotazione. In questo caso, basta regolare di nuovo le quote dei fincorsa, utilizzando la procedura descritta nel paragrafo 5.5.
 - d) Verificare se il cavo di alimentazione è integro.
- **Se il motore non si ferma automaticamente quando la tapparella (o la tenda) arriva in un fincorsa.**
 - a) Accertarsi che i due pulsanti "a freccia", presenti sulla testa del motore, siano in posizione abbassata, cioè al livello della superficie del motore.
 - b) Durante la manovra, accertarsi che il rullo avvolgitore trascini la ghiera del fincorsa (**fig. 6-h**).
- **Se durante la prima manovra si verifica lo spostamento delle posizioni di fincorsa programmate precedentemente.**
 - a) Eseguire di nuovo la procedura del paragrafo 5.5, in modo da compensare i giochi presenti tra i meccanismi.

Se dopo questi controlli i problemi persistono, rivolgersi ad un tecnico qualificato, oppure contattare il Servizio Assistenza Nice.

Smaltimento del prodotto

Come per le operazioni d'installazione, anche al termine della vita di questo prodotto, le operazioni di smantellamento devono essere eseguite da personale qualificato. Questo prodotto è costituito da vari tipi di materiali: alcuni possono essere riciclati, altri devono essere smaltiti. Informatevi sui sistemi di riciclaggio o smaltimento previsti dai regolamenti vigenti sul vostro territorio, per questa categoria di prodotto.

Attenzione! – alcune parti del prodotto possono contenere sostanze inquinanti o pericolose che, se disperse nell'ambiente, potrebbero provocare effetti dannosi sull'ambiente stesso e sulla salute umana. Come indicato dal simbolo a lato, è vietato gettare questo prodotto nei rifiuti domestici. Eseguire quindi la "raccolta separata" per lo smaltimento, secondo i metodi previsti dai regolamenti vigenti sul vostro territorio, oppure riconsegnare il prodotto al venditore nel momento dell'acquisto di un nuovo prodotto equivalente.



Attenzione! – i regolamenti vigenti a livello locale possono prevedere pesanti sanzioni in caso di smaltimento abusivo di questo prodotto.

- Il materiale dell'imballo del prodotto deve essere smaltito nel pieno rispetto della normativa locale.

Caratteristiche tecniche

Fare riferimento ai dati riportati sulla targa del motore.

Note: • Tutte le caratteristiche tecniche riportate, sono riferite ad una temperatura ambientale di 20°C (± 5°C). • Nice S.p.a. si riserva il diritto di apportare modifiche al prodotto, in qualsiasi momento lo riterrà necessario, mantenendone la stessa destinazione d'uso e le stesse funzionalità.

Dichiarazione di conformità UE semplificata

Il fabbricante Nice S.p.A. dichiara che il tipo di apparecchiatura radio E EASYPLUS M 817 SH, E EASYPLUS M 1517 SH, E EASYPLUS M 3017 SH, è conforme alla direttiva 2014/53/UE.

Il testo completo della dichiarazione di conformità UE è disponibile al seguente indirizzo Internet: <https://www.niceforyou.com/it/supporto>.

Manuel complet

Note pour la consultation du manuel – Certaines figures indiquées dans le texte sont reportées à la fin du manuel.

1 RECOMMANDATIONS ET PRÉCAUTIONS GÉNÉRALES POUR LA SÉCURITÉ

- **Attention ! – Instructions importantes pour la sécurité : conserver ces instructions.**
- **Attention ! – Pour la sécurité des personnes il est important de respecter ces instructions ; avant de commencer le travail il faut donc lire attentivement ce manuel.**

1.1 - Recommandations pour l'installation

- Toutes les opérations de branchement, de programmation et de maintenance du produit devront exclusivement être effectuées par un technicien qualifié et compétent en respectant les lois, les normes, les règlements locaux et les instructions mentionnées dans ce manuel.
- Avant de lancer l'installation, lire le paragraphe 3.1 pour vérifier si le produit est adapté pour l'automatisation de votre volet (ou store). S'il n'est pas adapté, NE PAS procéder à l'installation.
- Toutes les opérations d'installation et de maintenance du produit devront être effectuées en ayant débranché la centrale de l'alimentation électrique. En outre, avant de commencer le travail, placer sur le dispositif de branchement un panneau mentionnant : « ATTENTION! MAINTENANCE EN COURS ».
- Avant de commencer l'installation éloigner tous les câbles électriques qui ne font pas partie de l'installation et désactiver tous les mécanismes qui ne sont pas nécessaires au fonctionnement motorisé du volet (ou store).
- Durant la réalisation de l'installation, éloigner les personnes du volet (ou du store) quand ce dernier est en mouvement.
- La liste des parties nécessaires pour accoupler le moteur actuel avec le volet (ou avec le store) est rapportée dans le catalogue des produits Nice.
- Si le produit est installé à une hauteur inférieure à 2,5 m du sol (ou d'une autre surface d'appui), il faut protéger les parties en mouvement de l'automatisme par un carter pour empêcher un accès accidentel. Pour la protection, faire référence au manuel d'instructions du volet (ou du store), en garantissant dans chaque cas l'accès pour les interventions de manutention.
- Pour les stores, il est important de garantir une distance horizontale de 40 cm minimum entre le store complètement ouvert et un éventuel obstacle situé devant lui.
- Durant l'installation manipuler avec soin le produit (fig. 1) : éviter les écrasements, les chocs, les chutes ou les contacts avec n'importe quel liquide ; ne pas introduire d'objets pointus dans le moteur ; ne pas percer ni appliquer de vis à l'extérieur du moteur ; ne pas mettre le produit à proximité de sources de chaleur ni l'exposer à des flammes vives. Ces actions peuvent l'endommager et causer des problèmes de fonctionnement ou des situations de danger. Dans ces cas suspendre immédiatement l'installation et s'adresser au service d'assistance de Nice.
- Ne pas appliquer de vis sur l'enrouleur sur la section traversée en son interne par le moteur. Ces vis pourraient endommager le moteur.
- Ne pas démonter le produit plus de ce qui est prévu dans manuel.
- Ne pas effectuer de modifications sur aucune partie du produit autres que celles prévues dans ce manuel. Le constructeur décline toute responsabilité pour les dommages dérivant de modifications arbitraires du produit.
- Avant d'installer le produit, il est important de vérifier les caractéristiques techniques du câble d'alimentation.
- Le câble d'alimentation du moteur est en PVC et spécialement conçu pour un usage en intérieur. En cas d'usage à l'extérieur, protéger le câble sur toute sa longueur en l'introduisant dans une goulotte de protection pour câbles électriques.
- Le câble d'alimentation de l'appareil ne peut pas être remplacé. Si le câble est endommagé, l'appareil doit être mis au rebut.

1.2 - Recommandations pour l'utilisation

- Le produit n'est pas destiné à être utilisé par des personnes (enfants compris) aux capacités physiques, sensorielles ou mentales réduites, ou manquant d'expérience ou de connaissances.
- Ne pas laisser les enfants jouer avec les dispositifs de commande fixes.
- Durant le déroulement de la manœuvre contrôler l'automatisme et maintenir les personnes à distance de sécurité jusqu'à la fin du mouvement.
- Ne pas commander l'automatisme lorsque des travaux sont effectués dans son proche voisinage comme le nettoyage des vitres, la maintenance etc... Débrancher l'alimentation électrique avant d'effectuer ces travaux.
- Se rappeler de contrôler souvent les ressorts d'équilibrage et l'usure des câbles (si ces mécanismes sont présents). Ne pas utiliser le produit s'il a besoin d'être réglé ou réparé ; s'adresser exclusivement au personnel technique spécialisé pour la solution à ces problèmes.

2 DESCRIPTION DU PRODUIT ET APPLICATION

Era Plus est une gamme de moteurs tubulaires destinés à l'automatisation de volets roulants, stores, brise-soleil et pour d'autres applications similaires (fig. 2). **Toute autre utilisation est interdite ! Le constructeur ne répond pas des dommages résultant d'une utilisation impropre du produit, différente de celle prévue dans ce manuel.**

Le produit a les caractéristiques suivantes :

- il est alimenté par le secteur (consulter les données dans l'étiquette du moteur) ;
- il doit être installé à l'intérieur du tambour enrouleur. La partie du moteur qui dépasse du tambour (tête électronique) doit être fixée au plafond ou au mur à l'aide de supports spéciaux (non présentes dans l'emballage) ;
- il intègre un récepteur radio et une centrale de commande. Cette dernière garantit le contrôle électronique du mouvement et l'arrêt automatique au niveau du fin de course « 0 » (volet ou store complètement enroulé) et du fin de course « 1 » (volet ou store complètement déroulé). Voir la fig. 4 ;
- il est compatible avec tous les dispositifs électroniques de commande de Nice screen (émetteurs et capteurs climatiques) ;
- il peut être commandé par radio ou par câble, en utilisant différents accessoires optionnels non présents dans l'emballage (voir la fig. 5) ;
- La programmation des fins de course s'effectue à l'aide des touches en forme de « flèche » présentes sur la tête du moteur. Les autres fonctions se programment via radio, avec un émetteur portable (accessoires non présents dans l'emballage) ;
- il est conçu pour une utilisation résidentielle et donc pour une utilisation discontinue. Il garantit toutefois un certain temps de travail continu, spécifié sur la plaque signalétique ;
- il est équipé d'un système de protection thermique qui, en cas de surchauffe due à une utilisation en continue de l'automatisme, outre les limites prévues, interrompt automatiquement l'alimentation électrique et rétablit la température pour qu'elle rentre dans la norme ;
- il est disponible en plusieurs versions, chacune avec un couple spécifique (puissance).

3 INSTALLATION DU MOTEUR ET DES ACCESSOIRES

3.1 - Vérifications préliminaires avant l'installation et limites d'utilisation

- Vérifier l'intégrité du produit juste après l'avoir déballé.
- Le présent produit est disponible dans différentes versions chacune avec une paire moteur spécifique. Chaque version est conçue pour déplacer des volets (ou des stores) de dimensions et poids déterminés. Par conséquent, avant l'installation, assurez-vous que les paramètres du couple moteur, vitesse de rotation et temps de fonctionnement de ce produit sont éligibles pour automatiser votre volet (ou store) (voir la « Guide de sélection » dans le catalogue de produits de Nice – www.niceforyou.com). En particulier, **ne pas installer le produit sur le couple moteur s'il est plus grand de celui nécessaire pour déplacer votre volet (ou store)**.
- Vérifier le diamètre du tambour enrouleur. Cela doit être choisi en fonction du couple moteur, comme suit :
 - pour les moteurs de taille « M » ($\varnothing = 45$ mm) et avec un couple jusqu'à 35 Nm (compris), le diamètre interne minimum du tambour enrouleur doit être de 52 mm ;
 - pour les moteurs de taille « M » ($\varnothing = 45$ mm) et avec un couple supérieur à 35 Nm, le diamètre interne minimum du tambour enrouleur doit être de 60 mm ;
 - pour les moteurs de taille « » ($\varnothing = 58$ mm), le diamètre interne minimum du tambour enrouleur doit être de 70 mm.
- Avant d'automatiser un store vérifier qu'il y a un espace suffisant pour le déploiement complet du store prévu.
- En cas d'installation à l'extérieur, garantir au moteur une protection appropriée aux agents atmosphériques.

D'ultérieures limites d'utilisation sont contenues dans les chapitres 1, 2 et dans les « caractéristiques techniques ».

3.2 - Assemblage et installation du moteur tubulaire

Attention ! – Avant de poursuivre, lire attentivement les avertissements des paragraphes 1.1 et 3.1. Une installation incorrecte peut causer de graves blessures.

Pour l'assemblage du moteur se référer à la fig. 6. Consulter en outre le catalogue des produits Nice ou le site www.niceforyou.com pour choisir la couronne de fin de course (fig. 6-a), la roue d'entraînement (fig. 6-b) et le support de montage du moteur (fig. 6-f).

3.3 - Installation des accessoires


Après avoir installé le moteur il faut installer les accessoires si ceux-ci sont prévus. Pour identifier ceux compatibles et choisir les modèles désirés se référer au catalogue des produits Nice, également présents sur le site www.niceforyou.com. En revanche, pour bénéficier d'informations plus approfondies sur les fonctionnalités des accessoires et en programmer les options souhaitées, lire le chapitre 6. La fig. 5 illustre la typologie des accessoires compatibles et leur connexion au moteur (tous sont optionnels et ne sont pas présents dans l'emballage).

4 BRANCHEMENTS ÉLECTRIQUES ET PREMIÈRE MISE EN SERVICE

Les branchements électriques doivent être effectués seulement après avoir installé le moteur et les accessoires compatibles prévus.

Le câble électrique du moteur est formé des fils internes suivants (fig. 5) :

Câble	Couleur	Connexion
1	Marron	Phase d'alimentation
2	Bleu	Neutral
3	Jaune-vert	Terre



4.1 - Branchement du moteur au secteur

Utiliser les câbles 4, 5, 6 (fig. 5) pour brancher le moteur au secteur, en respectant les **avertissements suivants** :

- respecter scrupuleusement les branchements indiqués dans ce manuel ;
- un mauvais branchement peut provoquer des dommages ou des situations de danger.

4.2 - Installation des dispositifs de protection sur la ligne d'alimentation électrique

Conformément aux règles d'installation électrique, il faut prévoir dans le réseau électrique alimentant le moteur un dispositif de protection contre le court-circuit et un dispositif de déconnexion du réseau électrique (les deux dispositifs ne sont pas inclus dans l'emballage). **Attention ! – Le dispositif doit avoir une distance d'ouverture entre les contacts permettant une déconnexion complète dans les conditions prévues par la catégorie de surtension III, conformément aux règles d'installation.**

Il faut positionner le dispositif de déconnexion près de l'automatisation et, s'il n'est pas visible, il doit prévoir un système de blocage de l'éventuelle reconnexion accidentelle ou non autorisée de l'alimentation pour éviter tout type de danger.

4.3 - Branchement des accessoires au moteur

Accessoires se connectant via radio (émetteurs portables et quelques modèles de capteurs climatiques) : mémoriser ces accessoires dans le moteur durant les phases de programmation en se reportant à la procédure reportée dans ce manuel et à celles reportées dans les manuels des dispositifs.

5 PROGRAMMATION ET RÉGLAGES

5.1 - Émetteur à utiliser pour les procédures de programmation

- Les procédures de programmation peuvent être effectuées exclusivement au moyen d'un émetteur Nice doté au moins des touches ▲, ■, ▼.
- Les procédures de programmation doivent être effectuées exclusivement avec un émetteur mémorisé en « Mode I » (paragraphe 5.7 ou 5.9.1).
- Si l'émetteur utilisé pour la programmation commande plusieurs groupes d'automatismes, lors d'une procédure, avant d'envoyer une commande, il faut sélectionner le « groupe » auquel appartient l'automatisme qui est en train d'être programmé.

5.2 - Positions dans lesquelles le volet (ou le store) s'arrête automatiquement

Le système électronique qui contrôle à tout moment le mouvement du volet (ou du store) est en mesure de l'arrêter de manière autonome quand le volet (ou le store) atteint une position déterminée programmée par l'installateur. Les positions programmées sont (fig. 4) :

- position « 0 » = fin de course haut : volet (ou store) totalement enroulé ;
- position « 1 » = fin de course bas : volet (ou store) totalement déroulé.

Quand les fins de course ne sont pas encore programmés, le déplacement du volet (ou du store) ne peut avoir lieu qu'en mode à « action maintenue », c'est à dire en maintenant enfoncée la touche de commande pendant toute la durée de la manœuvre désirée ; le mouvement s'arrête dès que l'utilisateur relâche la touche. Par contre, après la programmation des fins de course, il suffira d'une simple impulsion sur la touche désirée pour faire démarrer le volet (ou le store) et le mouvement s'arrêtera de manière autonome dès que le volet (ou le store) aura atteint la position prévue.

5.3 - Recommandations

- Le réglage des fins de course doit être fait après avoir installé le moteur dans le volet (ou dans le store) et après l'avoir branché à l'alimentation.
- Dans les installations où il y a plusieurs moteurs et / ou plusieurs récepteurs, avant de commencer la programmation, il faut déconnecter l'alimentation aux moteurs et aux récepteurs qu'on ne veut pas programmer.
- Respecter rigoureusement les limites de temps indiquées dans les procédures : quand une touche est relâchée on dispose de 60 secondes pour appuyer sur la touche successive prévue dans la procédure autrement, à l'échéance de cette durée, le moteur effectue 6 mouvements pour communiquer l'annulation de la procédure en cours.

• Durant la programmation le moteur effectue un nombre déterminé de mouvements brefs en « réponse » à la commande envoyée par l'installateur. Il est important de compter le nombre de mouvements mais de ne pas tenir compte de la direction dans laquelle ils sont effectués.

- Chaque fois que le moteur est alimenté, il effectue **2 mouvements** pour signaler qu'il se trouve dans l'une (ou dans plusieurs) des conditions suivantes :
 - mémoire radio vide (aucun émetteur programmé) ;
 - un des deux boutons « flèche » ou les deux ne sont pas positionnés vers le bas (ou un des deux fins de course ou les deux ne sont pas programmés) ;
 - sens de rotation du moteur non programmé (dans ce cas, le moteur ne se déplace qu'avec « l'homme mort » dans les limites des fins de course éventuellement programmés) ;
 - moteur « vierge », à savoir en configuration d'usine (ou avec la mémoire totalement effacée par le biais de la procédure 5.10).

5.4 - Panoramique sur les émetteurs

5.4.1 - Émetteur compatibles

Consulter le catalogue produit Nice ou visiter www.niceforyou.com pour connaître les dispositifs de commande de Nice compatibles avec le récepteur radio intégré dans le moteur.

5.4.2 - Hiérarchie dans la mémorisation des émetteurs

En général un émetteur peut être mémorisé comme PREMIER émetteur ou comme SECOND émetteur (ou troisième, quatrième, etc.).

A - Premier émetteur

Un émetteur peut être mémorisé comme premier émetteur seulement si dans le moteur aucun autre émetteur n'est mémorisé. Pour cette mémorisation effectuer la procédure 5.7 (celle-ci mémorise l'émetteur en « Mode I »).

B - Second (ou troisième, quatrième etc.) dispositif émetteur

Un émetteur portable (ou un capteur climatique radio) peut être mémorisé comme second (ou troisième, quatrième, etc.) dispositif émetteur seulement si dans le moteur le premier émetteur est déjà mémorisé. Pour cette mémorisation effectuer les procédures reportées dans le paragraphe 5.9.

5.4.3 - Deux modalités pour mémoriser les touches d'un émetteur

Pour mémoriser les touches d'un émetteur on peut utiliser deux modalités, alternatives entre-elles, appelées : « Mode I » et « Mode II ».

- « **MODE I** » – Cette modalité associe automatiquement, et ensemble, les différentes commandes disponibles dans le moteur aux différentes touches disponibles sur l'émetteur, sans donner la possibilité à l'installateur de modifier l'association commande - touche. Au terme de la procédure chaque touche sera associée à une commande déterminée, selon le schéma suivant :

- la touche ▲ (ou la touche 1) : sera associée à la commande de **montée**
- la touche ■ (ou la touche 2) : sera associée à la commande de **stop**
- la touche ▼ (ou la touche 3) : sera associée à la commande de **descente** (si sur l'émetteur une quatrième touche est présente...)
- la touche 4 : sera associée à la commande de **Stop**

Note – Si les touches de votre émetteur sont sans symboles et chiffres, se référer à la fig. 3 pour les identifier.

- « **MODE II** » Ce mode permet d'associer manuellement une des commandes disponibles dans le moteur avec une touche de l'émetteur, donnant ainsi la possibilité à l'installateur de choisir la commande et la touche désirée. Au terme de la procédure, pour mémoriser une autre touche à une autre commande il faudra répéter à nouveau la procédure.

Attention ! – Chaque automatisme a sa propre liste de commandes pouvant être enregistrées en mode II ; dans le cas du présent moteur la liste des commandes disponibles est rapportée dans la procédure 5.9.2.

5.4.4 - Nombre d'émetteurs mémorisables

On peut mémoriser 30 émetteurs (y compris capteurs climatiques radio), s'ils sont mémorisés en « Mode I », ou on peut mémoriser 30 commandes simples (touches), si elles sont mémorisées en « Mode II ». Les deux modalités peuvent convivre jusqu'à la limite de 30 unités mémorisées.

PROCÉDURES → → →

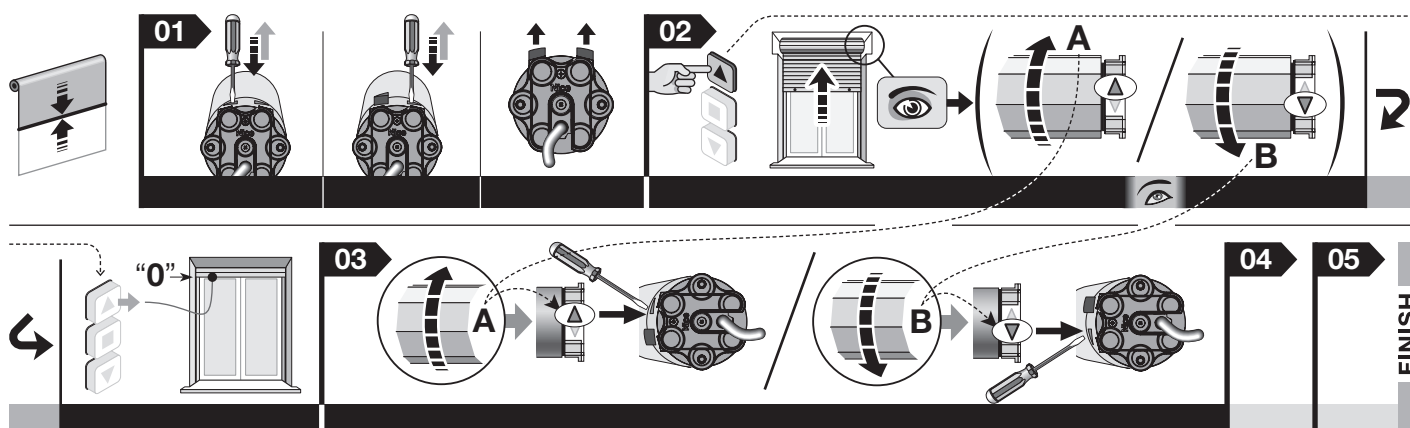
5.5 - Programmation des fins de course

Pendant les mouvements de montée et de descente, fermer automatiquement le volet (ou le store) dans le moment dans lequel il rejoint une position de fin de course (**fig. 4**) : position « 0 » = volet (ou store) totalement enroulé ; position « 1 » = volet (ou store) totalement déroulé. Pour programmer ces positions, procéder de la façon suivante.

Avertissements :

- Les deux touches « flèches » présentes sur la touche du moteur permettent, chacune, de programmer une fin de course. Le moteur sort de l'usine avec ces **boutons appuyés** et, donc, avec les fins de course déjà programmées avec des parties arbitraires. Pour régler ces parties selon les caractéristiques spécifiques de votre volet (ou de votre store), utiliser la procédure suivante.
- Au point 02 de la procédure, la **première côte** à programmer peut être choisie librement, sur la base de sa propre nécessité.

01. S'assurer que les deux touches « flèches » positionnées sur le haut du moteur soient relâchées c'est-à-dire qu'elles tendent totalement la superficie du moteur. Elles sont conformes au fil de la superficie (position enfoncée), les relâcher en appuyant à fond chaque touche avec l'aide d'un tournevis.
02. Utiliser la touche de commande murale pour mener le volet (ou le store) à la hauteur souhaitée pour la fin de course (dans l'exemple il est rapporté la fin de course Haute « 0 »). **IMPORTANT!** – pendant la manipulation, observer dans quelle direction tourne le rouleau enrouleur et, sur la touche moteur, identifier la touche avec la flèche vers la même direction dans laquelle tourne le rouleau. Enfin, fermer la manoeuvre. **Note** – Pour effectuer un réglage éventuelle de la fin de course, utiliser les deux touches du boîtier de commande mural.
03. Enfin, mémoriser la côte en appuyant à fond (à l'aide d'un tournevis) la touche « flèche », en observant d'abord la touche du moteur : celui-ci **doit rester bloqué en position enfoncée**.
04. Pour régler l'autre fin de course utiliser la touche de commande murale pour porter le volet (ou le store) à la côte désirée pour cette fin de course.
05. Enfin, mémoriser la côte en appuyant à fond (à l'aide d'un tournevis) la touche « flèche », non utilisée en observant d'abord la touche du moteur : celle-ci **doit rester bloquée en position enfoncée**.



5.6 - Pour modifier seulement une des deux côtes de fin de course mémorisée

Pour modifier une fin de course déjà mémorisée (sans modifier l'autre fin de course), procéder de la façon suivante :

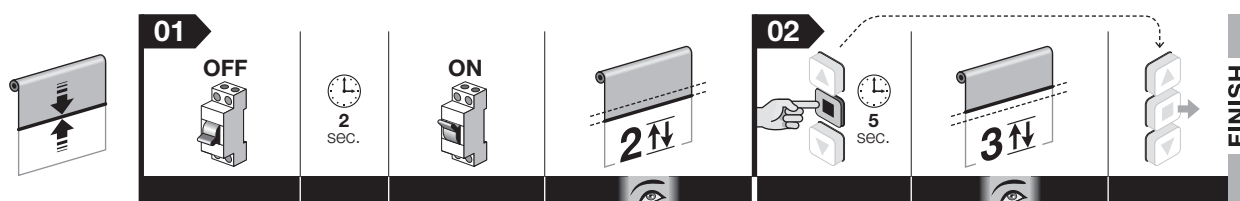
01. Avec le boîtier de commande mural, commander le volet (ou le store) en faisant déplacer de quelques centimètres dans la direction de la fin de course que vous souhaitez modifier : **pendant la manipulation, observer dans quelle direction tourne le rouleau enrouleur ; puis identifier la touche avec la flèche vers la même direction dans laquelle tourne le rouleau** et fermer la manoeuvre.
02. (sur la tête du moteur) Avec le volet (ou le store) **arrêté**, appuyer sur la touche « flèche » (celle qui vient d'être identifiée), à l'aide d'un tournevis. **La touche doit rester en position relevée**.
03. Avec le boîtier de commande mural, compléter la manoeuvre interrompue au point 01, en portant le volet (ou le store) dans la nouvelle côte de fin de course. **Note** – Pour effectuer une régulation éventuelle de la fin de course, utiliser les deux touches du boîtier de commande mural.
04. (sur la touche du moteur) Avec le volet (ou le store) **en position de fin de course**, mémoriser la nouvelle côte en appuyant à fond (à l'aide d'un tournevis) la touche « flèche » en repérant d'abord sur la touche du moteur : **celle-ci doit rester bloquée en position enfoncée**.

5.7 - Mémorisation du PREMIER émetteur

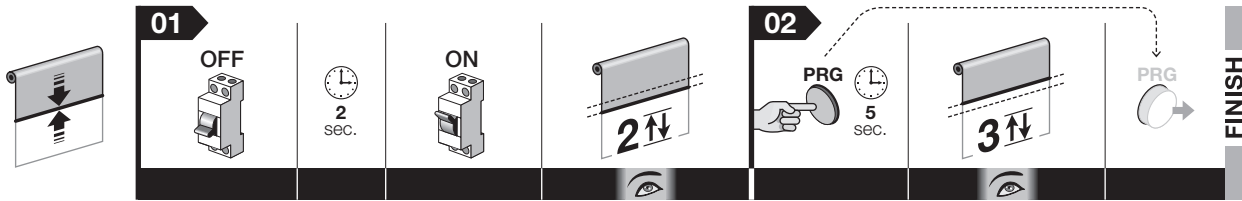
Avertissement – Chaque fois que le moteur est alimenté, si dans sa mémoire ne sont pas enregistrés au moins un émetteur et les cotes des fins de course, il effectue 2 mouvements.

Avant de commencer la procédure, placer le volet (ou le store) à mi-course.

01. Couper l'alimentation électrique du moteur ; attendre 2 secondes et alimenter de nouveau le moteur : celui-ci effectue 2 mouvements.
02. Maintenir appuyée la touche ■ et attendre que le moteur effectue 3 mouvements. À la fin, relâcher la touche.



Remarque – Après la mémorisation, la direction de montée ou descente du volet (ou du store) n'est pas encore associée aux touches respectives ▲ et ▼ de l'émetteur.



5.8 - Association des sens de montée et descente du volet (ou du store) aux touches ▲ et ▼ correspondantes du dispositif de commande

Cette procédure peut être effectuée uniquement à l'aide d'un émetteur qui se trouve déjà en « Mode I ».

Avant de commencer la procédure, placer le volet (ou le store) à mi-course.

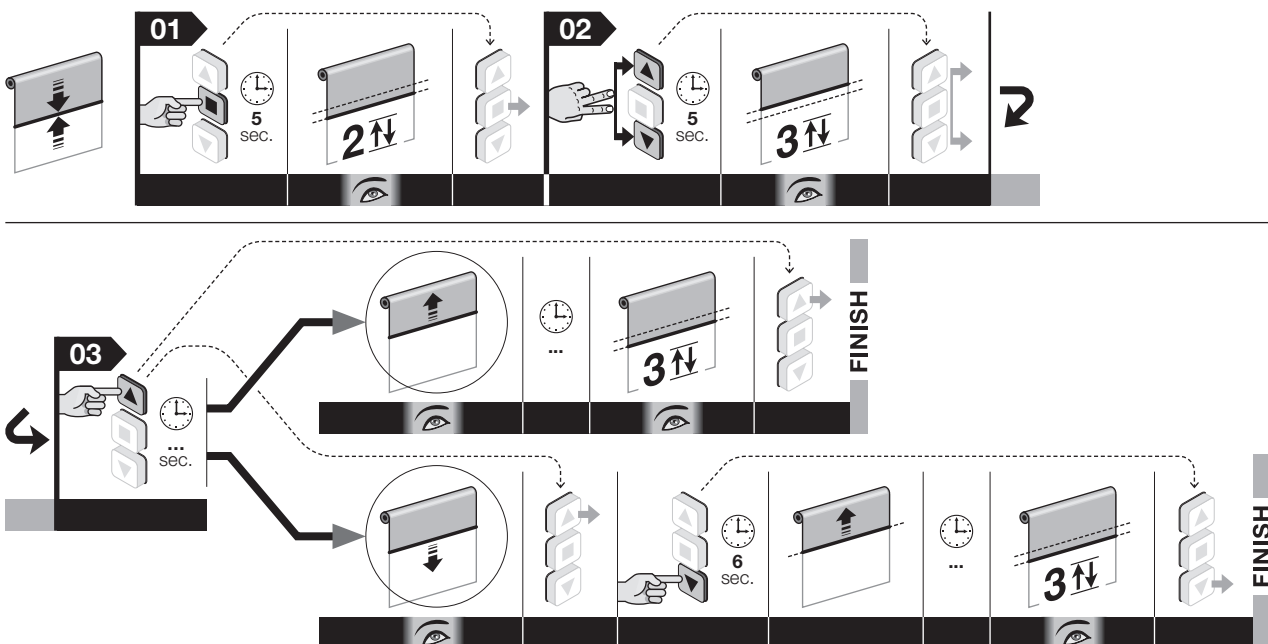
01. Maintenir enfoncée la touche ■ et attendre que le moteur effectue 2 mouvements. À la fin, relâcher la touche.

02. Maintenir enfoncées simultanément les touches ▲ et ▼ et attendre que le moteur effectue 3 mouvements. À la fin, relâcher les touches.

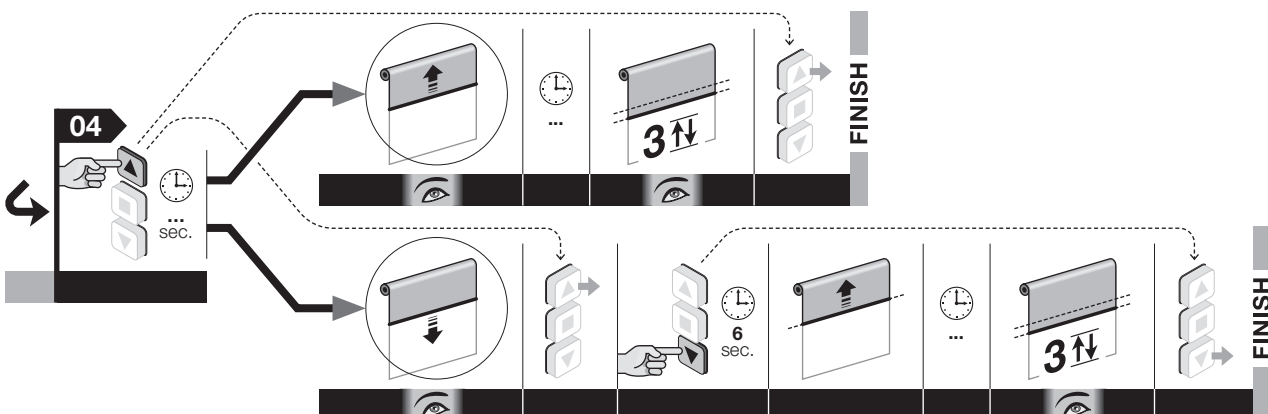
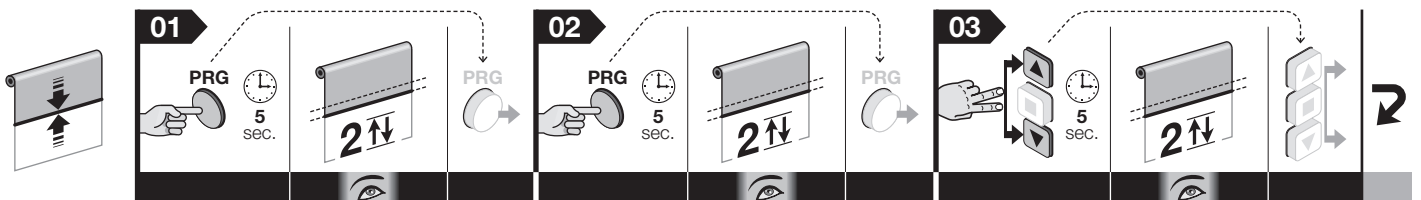
03. Maintenir enfoncée la touche ▲ et...

• si le volet (ou le store) part dans le sens de la **MONTÉE**, continuer de maintenir la touche enfoncée ▲ et attendre que le moteur effectue 3 mouvements. À la fin, relâcher la touche.

• si le volet (ou le store) part dans le sens de la **DESCENTE**, relâcher la touche ▲ et maintenir la touche ▼ enfoncée en attendant que le moteur effectue 3 mouvements. À la fin, relâcher la touche.



Note – Durant l'exécution de la procédure, on peut à tout moment annuler la programmation en maintenant enfoncées simultanément les touches ■ et ▼ pendant 4 secondes. Autrement, n'appuyer sur aucune touche et attendre 60 secondes que le moteur effectue 6 mouvements.



5.9 - Mémorisation d'un SECOND (troisième, quatrième, etc.) émetteur

Pour effectuer les procédures, il est nécessaire de pouvoir disposer d'un autre émetteur déjà mémorisé (« vieux »).

5.9.1 - Mémorisation en « Mode I » d'un second émetteur

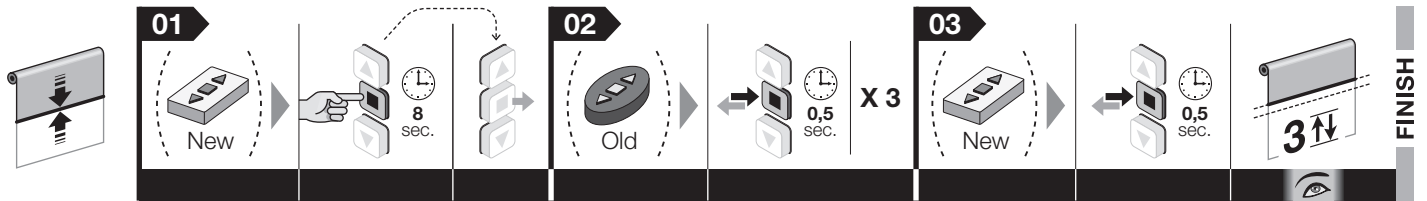
Attention ! – La procédure mémorise le nouvel émetteur en « Mode I », indépendamment du mode dans lequel le vieil émetteur a été mémorisé.

Avant de commencer la procédure, placer le volet (ou le store) à mi-course.

01. (sur le nouvel émetteur) Maintenir enfoncée la touche ■ pendant 8 secondes et la relâcher (dans ce cas le moteur n'effectue aucun mouvement).

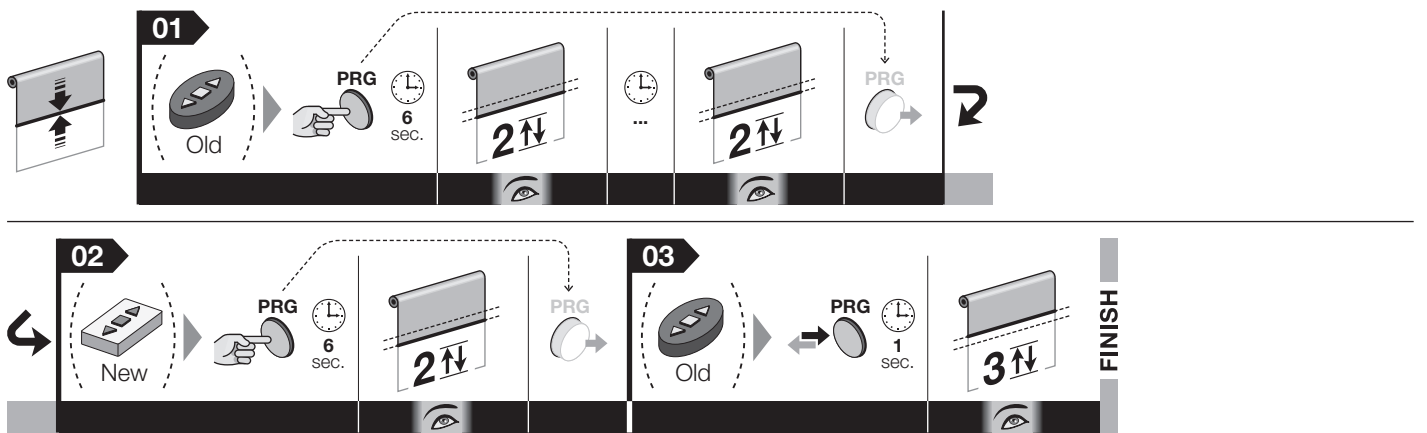
02. (sur le vieil émetteur) Donner 3 impulsions sur la touche ■, à condition qu'il soit stocké.

03. (sur le nouvel émetteur) Donner 1 impulsion sur la touche ■. Après un court instant le moteur effectue 3 mouvements pour confirmer la mémorisation. **Attention !** – Si le moteur effectue 6 mouvements cela signifie que sa mémoire est pleine.



Note – Durant l'exécution de la procédure, on peut à tout moment annuler la mémorisation en maintenant enfoncées simultanément les touches ■ et ▲ pendant 4 secondes. Autrement, n'appuyer sur aucune touche et attendre 60 secondes que le moteur effectue 6 mouvements.

— Procédure 5.9.1 — exécutable seulement avec un émetteur de la série Era P et Era W



5.9.2 - Mémorisation en « Mode II » d'un second émetteur

Attention ! – La procédure mémorise le nouvel émetteur en « Mode II », indépendamment du mode dans lequel le vieil émetteur a été mémorisé.

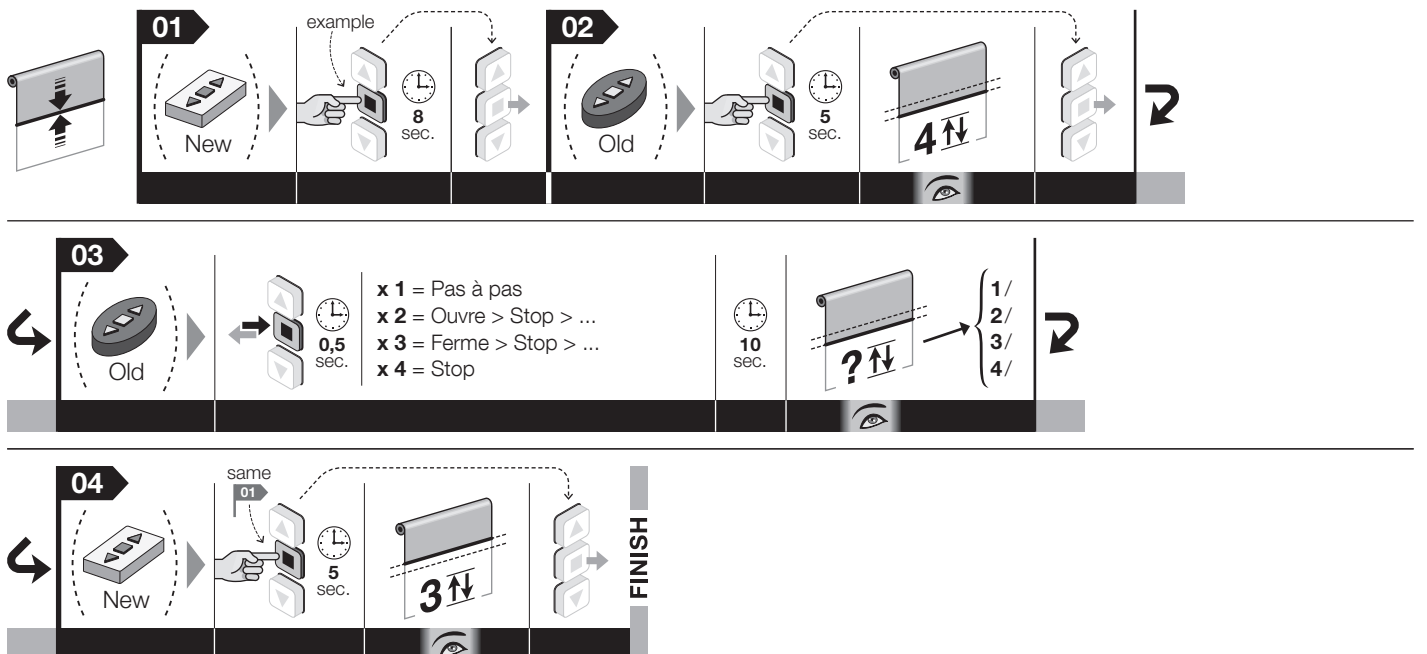
Avant de commencer la procédure, placer le volet (ou le store) à mi-course.

01. (sur le nouvel émetteur) Appuyer sur la touche à associer à l'une des fonctions disponibles et la maintenir enfoncée. Relâcher la touche au bout de 8 secondes (dans ce cas, le moteur n'effectue aucun mouvement).

02. (sur le vieil émetteur) Maintenir enfoncée la touche ■ et attendre que le moteur effectue 4 mouvements. À la fin, relâcher la touche.

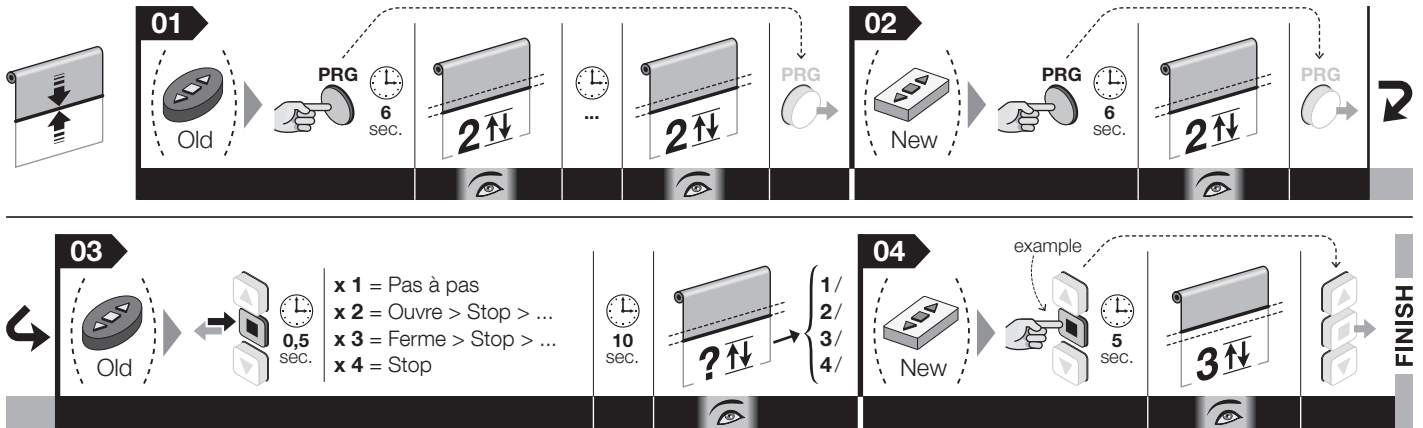
03. (sur le vieil émetteur) Appuyer brièvement sur la touche ■ un certain nombre de fois en fonction de la commande que l'on souhaite mémoriser : • **1 impulsion = commande Pas à pas** • **2 impulsions = commande Ouvre > Stop > Ouvre > Stop > ...** • **3 impulsions = commande Ferme > Stop > Ferme > Stop > ...** • **4 impulsions = commande Stop**. Au bout d'environ 10 secondes, le moteur effectue un nombre de mouvements égal au nombre d'impulsions données sur l'émetteur.

04. (sur le nouvel émetteur) Maintenir enfoncée la touche à associer à la fonction choisie et attendre que le moteur effectue 3 mouvements. À la fin, relâcher la touche. **Attention !** – Si le moteur effectue 6 mouvements, cela signifie que sa mémoire est pleine.



Note – Durant l'exécution de la procédure, on peut à tout moment annuler la mémorisation en maintenant enfoncées simultanément les touches ■ et ▲ pendant 4 secondes. Autrement, n'appuyer sur aucune touche et attendre 60 secondes que le moteur effectue 6 mouvements.

— Procédure 5.9.2 — exécutable seulement avec un émetteur de la série Era P et Era W



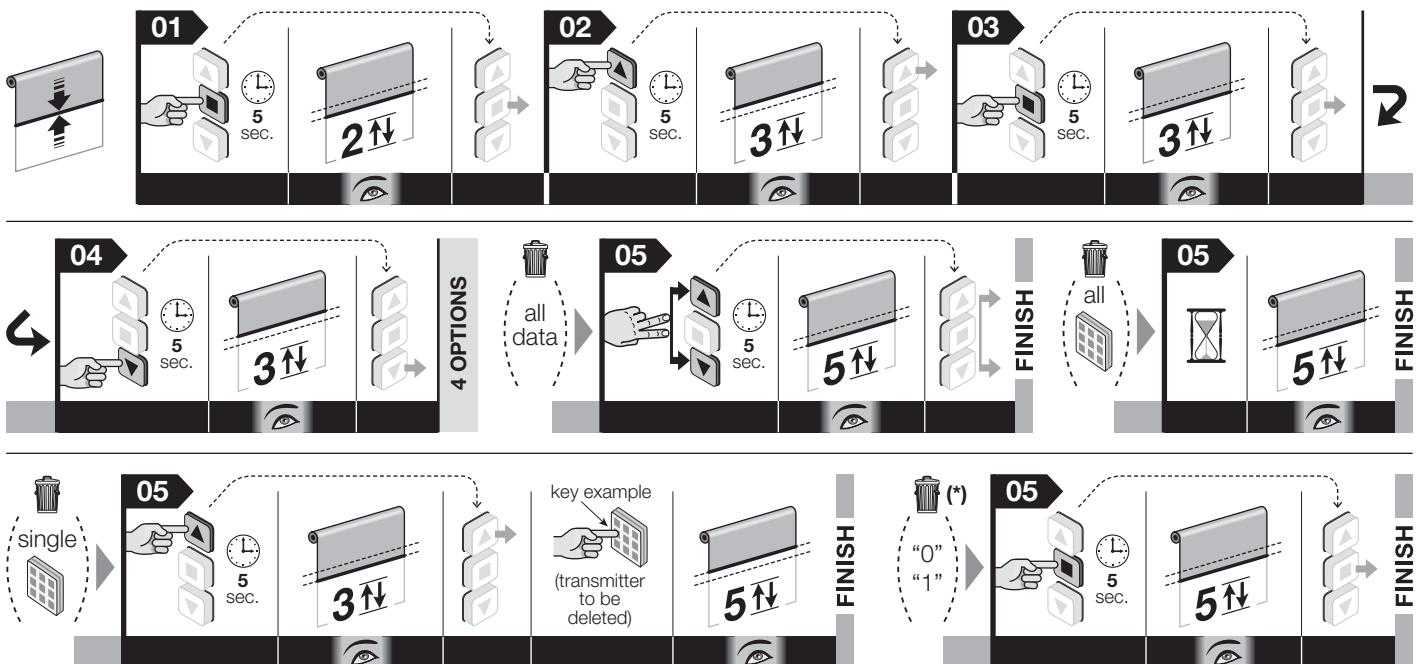
5.10 - Effacement total ou partiel de la mémoire

Cette procédure permet de choisir dans le [point 05](#) les données que l'on souhaite effacer.

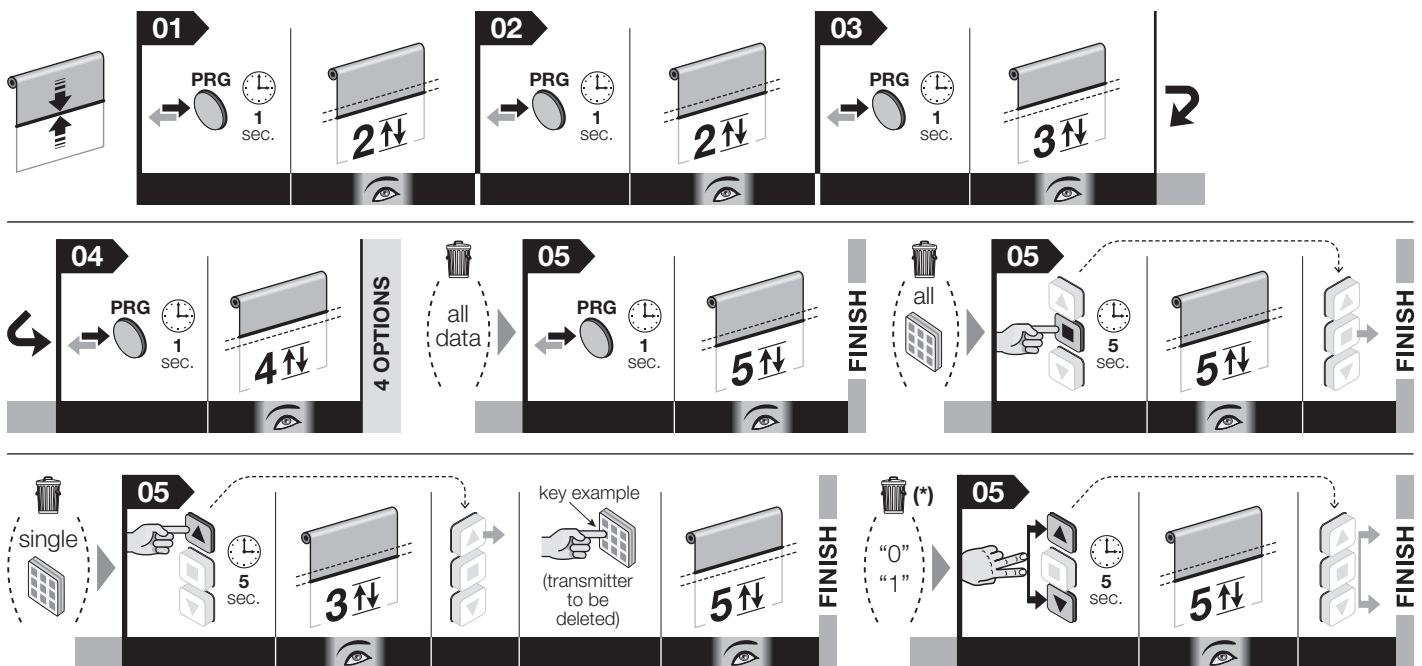
5.10.1 - Procédure effectuée avec un émetteur mémorisé en « Mode I »

Avant de commencer la procédure, placer le volet (ou le store) à mi-course.

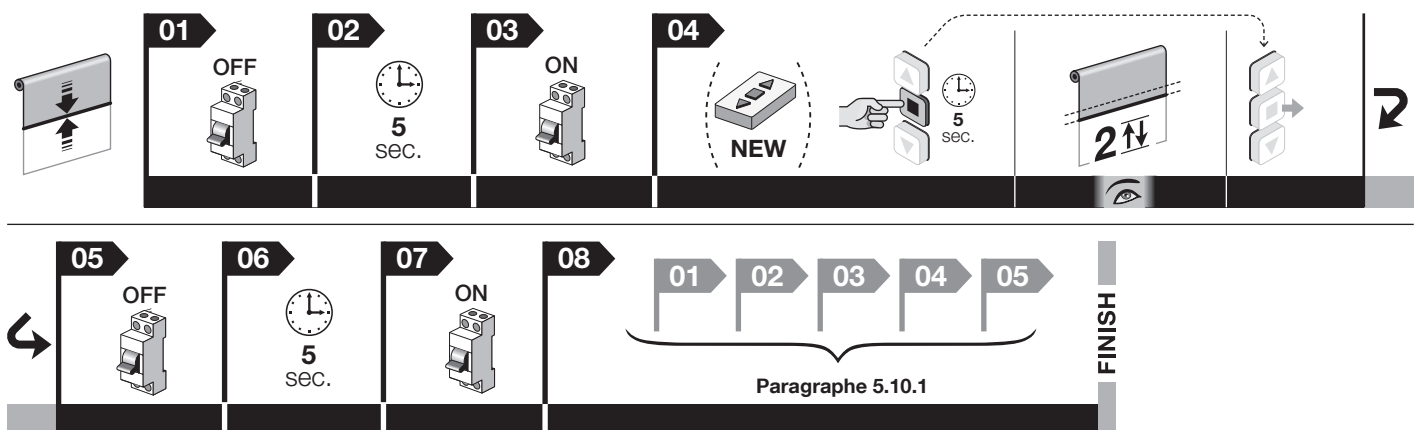
01. Maintenir appuyée la touche ■ et attendre que le moteur effectue 2 mouvements. A la fin relâcher la touche.
02. Maintenir appuyée la touche ▲ et attendre que le moteur effectue 3 mouvements. A la fin relâcher la touche.
03. Maintenir appuyée la touche ■ et attendre que le moteur effectue 3 mouvements. A la fin relâcher la touche.
04. Maintenir appuyée la touche ▼ et attendre que le moteur effectue 3 mouvements. A la fin relâcher la touche.
05. • **Pour effacer toute la mémoire** : maintenir appuyées simultanément les touches ▲ et ▼ et attendre que le moteur effectue 5 mouvements. A la fin relâcher la touche.
 - **Pour effacer tous les émetteurs mémorisés** : n'appuyer sur aucun bouton et attendre que le moteur effectue 5 mouvements.
 - **Pour effacer un seul émetteur mémorisé** : maintenir la touche ▲ enfoncée et attendre que le moteur effectue 3 mouvements. À la fin, relâcher la touche. Ensuite, appuyer sur la touche de l'émetteur à annuler : le moteur effectue 5 mouvements.
 - **Pour effacer seulement les paramètres** : maintenir enfoncée la touche ■ et attendre que le moteur effectue 5 mouvements. À la fin, relâcher la touche.



Note – Durant l'exécution de la procédure, on peut à tout moment annuler la programmation en maintenant appuyés simultanément les touches ■ et ▼ pendant 4 secondes. En alternative n'appuyer sur aucune touche et attendre 60 secondes pour que le moteur effectue 6 mouvements.



5.10.2 - Procédure effectuée avec un émetteur non mémorisé

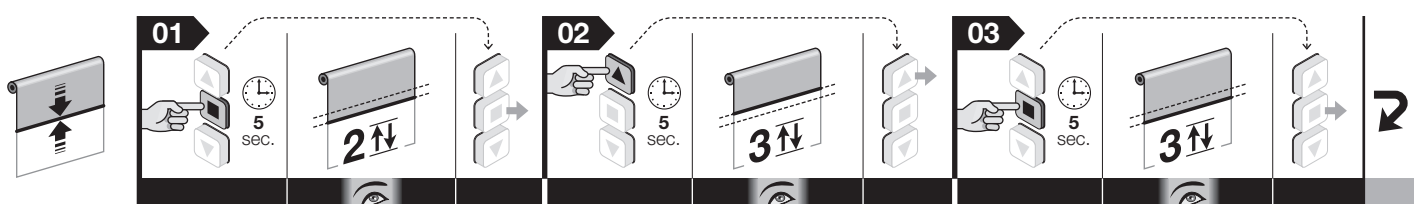


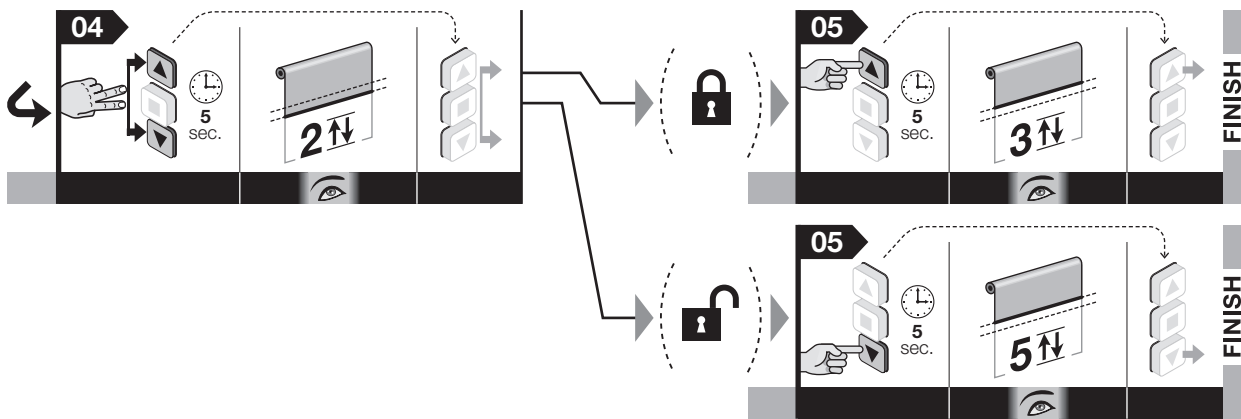
5.11 - Blocage et déblocage de la mémoire

Cette procédure permet de bloquer ou de débloquer la mémoire du moteur pour empêcher la mémorisation accidentelle d'autres émetteurs non prévus dans l'installation.

Avant de commencer la procédure, placer le volet (ou le store) à mi-course.

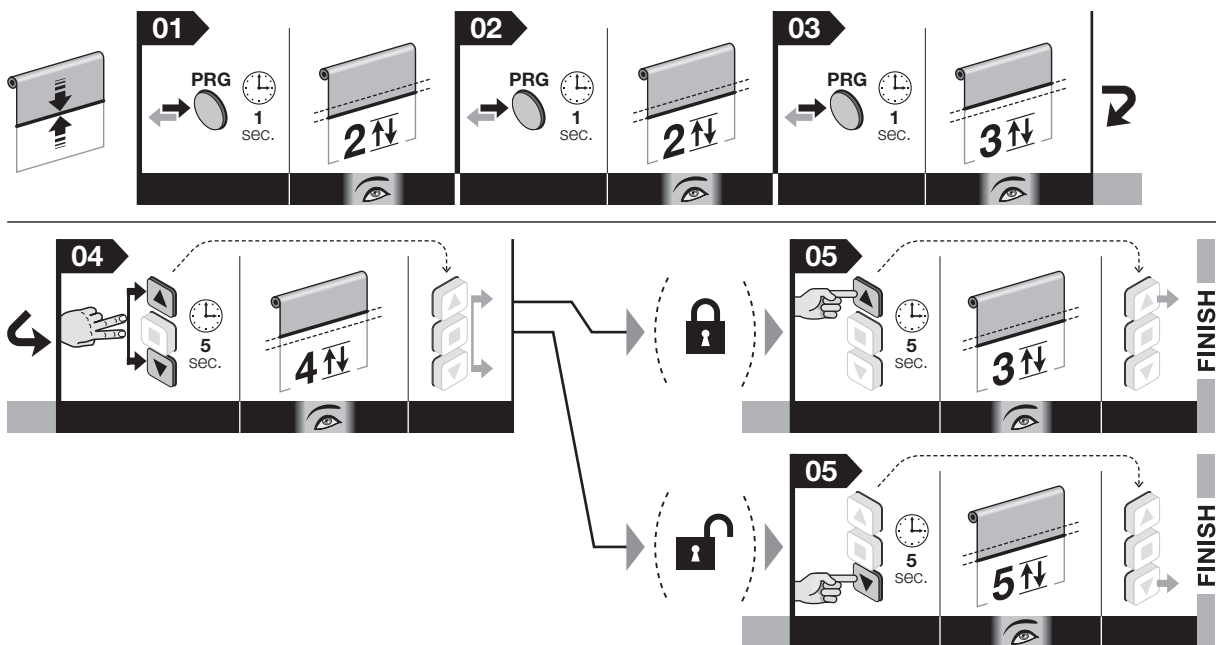
01. Maintenir enfoncée la touche ■ et attendre que le moteur effectue 2 mouvements. À la fin, relâcher la touche.
02. Maintenir enfoncée la touche ▲ et attendre que le moteur effectue 3 mouvements. À la fin, relâcher la touche.
03. Maintenir enfoncée la touche ■ et attendre que le moteur effectue 3 mouvements. À la fin, relâcher la touche.
04. Maintenir enfoncées simultanément les touches ▲ et ▼ et attendre que le moteur effectue 2 mouvements. À la fin, relâcher les touches.
05. • **Pour bloquer la mémoire** : maintenir enfoncée la touche ▲ et attendre que le moteur effectue 3 mouvements. À la fin, relâcher la touche.
• **Pour débloquer la mémoire** : maintenir enfoncée la touche ▼ et attendre que le moteur effectue 5 mouvements. À la fin, relâcher la touche.





Note – Durant l'exécution de la procédure, on peut à tout moment annuler la programmation en maintenant appuyés simultanément les touches ■ et ▼ pendant 4 secondes. En alternative n'appuyer sur aucune touche et attendre 60 secondes pour que le moteur effectue 6 mouvements.

— Procédure 5.11 — exécutable seulement avec un émetteur de la série Era P et Era W



PROCÉDURES POUR LES ACCESSOIRES OPTIONNELS (réf. Chapitre 6)

5.12 - Mémorisation d'un capteur climatique relié par radio (réf. paragraphe 6.1.2)

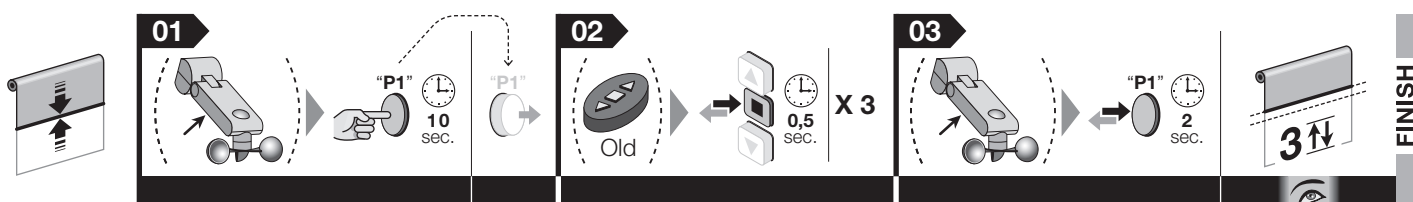
Pour effectuer la procédure, il faut disposer d'un émetteur mémorisé en « Mode I ».

Avant de commencer la procédure, placer le volet (ou le store) à mi-course.

01. (sur le capteur climatique) Maintenir enfoncée la touche jaune pendant 10 secondes puis la relâcher (dans ce cas le moteur n'effectue aucun mouvement).

02. (sur le vieil émetteur) Appuyer 3 fois sur la touche ■, à condition qu'elle soit mémorisée.

03. (sur le capteur climatique) Maintenir enfoncée la touche jaune pendant 2 secondes : le moteur effectue 3 mouvements pour confirmer la mémorisation. **Attention !**
– Si le moteur effectue 6 mouvements, cela signifie que sa mémoire est pleine.



Note – Durant l'exécution de la procédure, on peut à tout moment annuler la programmation en maintenant enfoncées simultanément les touches ■ et ▼ pendant 4 secondes. Autrement, n'appuyer sur aucune touche et attendre 60 secondes que le moteur effectue 6 mouvements.

5.13 - Programmation du mouvement (Montée ou Descente) que le moteur doit exécuter automatiquement quand il commence à pleuvoir (réf. paragraphe 6.1.4)

Avant de commencer la procédure, placer le volet (ou le store) à mi-course.

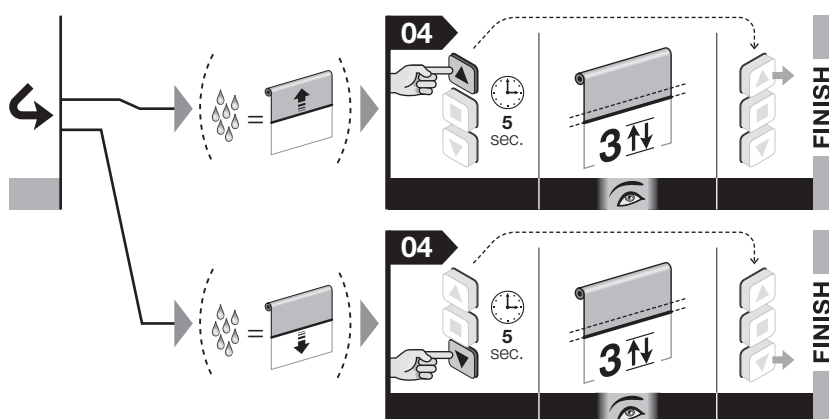
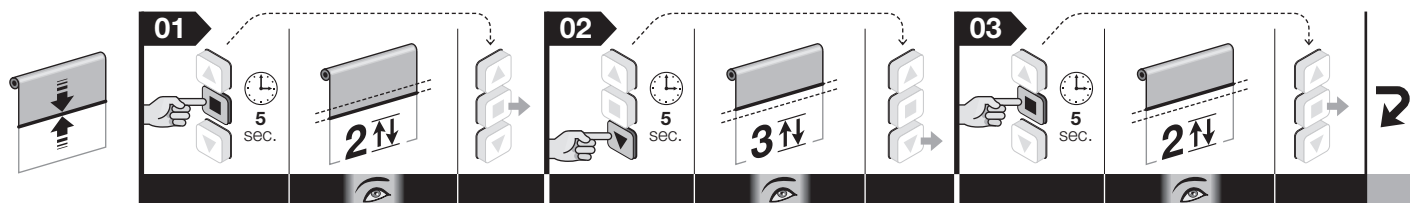
01. Maintenir enfoncée la touche ■ et attendre que le moteur effectue 2 mouvements. À la fin, relâcher la touche.

02. Maintenir enfoncée la touche ▼ et attendre que le moteur effectue 3 mouvements. À la fin, relâcher la touche.

03. Maintenir enfoncée la touche ■ et attendre que le moteur effectue 2 mouvements. À la fin, relâcher la touche.

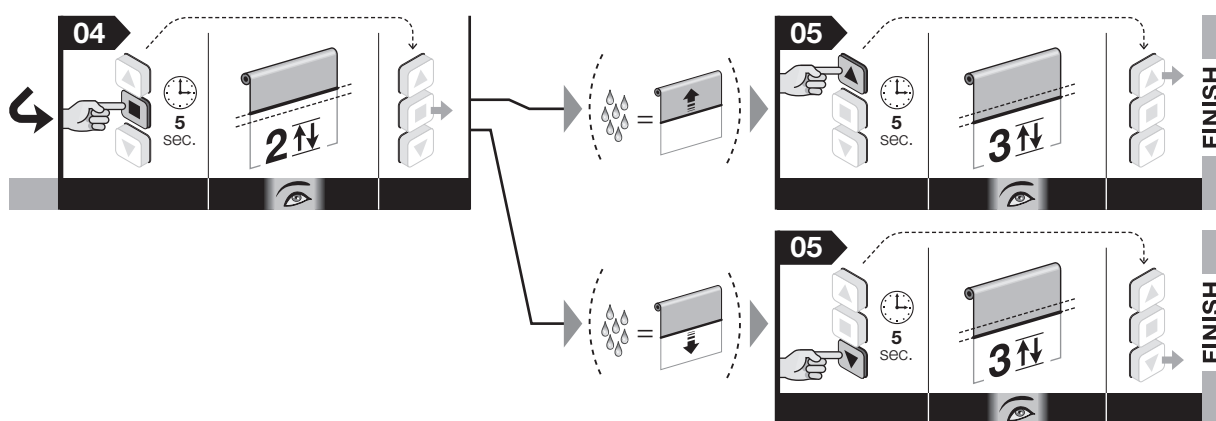
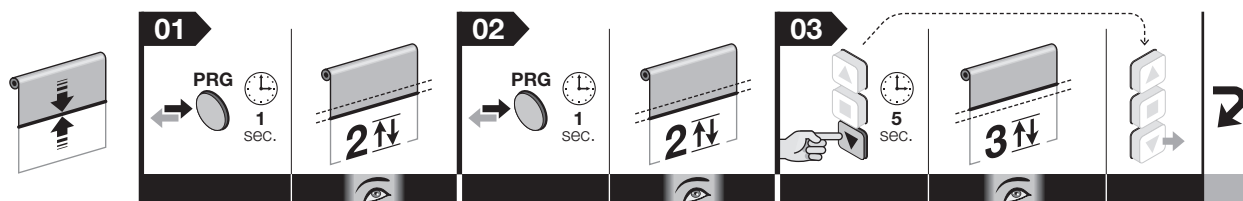
04. Programmer le mouvement que le moteur doit exécuter automatiquement quand il commence à pleuvoir, en choisissant l'une des options suivantes :

- pour programmer la **Montée** du volet (ou du store) : maintenir enfoncée la touche ▲ et attendre que le moteur effectue 3 mouvements. À la fin, relâcher la touche.
- pour programmer la **Descente** du volet (ou du store) : maintenir enfoncée la touche ▼ et attendre que le moteur effectue 3 mouvements. À la fin, relâcher la touche.

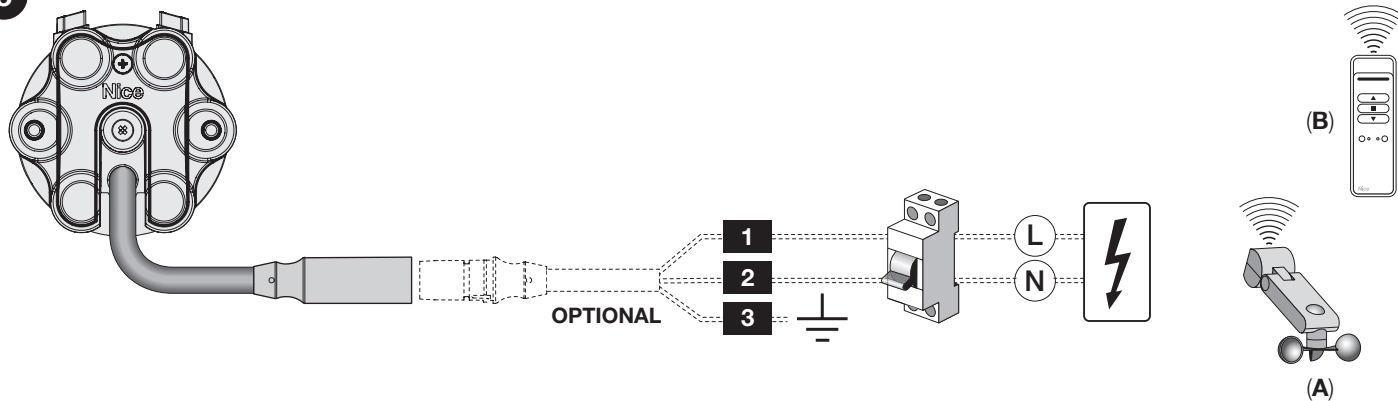


Note – Durant l'exécution de la procédure, on peut à tout moment annuler la programmation en maintenant enfoncées simultanément les touches ■ et ▼ pendant 4 secondes. Autrement, n'appuyer sur aucune touche et attendre 60 secondes que le moteur effectue 6 mouvements.

— Procédure 5.13 — exécutable seulement avec un émetteur de la série Era P et Era W



5



• **CÂBLES :** 1) Marron ; 2) Bleu ; 3) Jaune-vert.

• **ACCESSOIRES :** A) Capteurs climatiques (par radio) ; B) Transmetteurs portatifs (par radio).

6 ACCESSOIRES OPTIONNELS

6.1 - Détecteurs climatiques pour le vent, le soleil, la pluie

ATTENTION ! – Utilisez uniquement des capteurs climatiques avec une connexion radio au moteur. Ces accessoires commandent de manière autonome les mouvements du store (ou du volet) en fonction des conditions météorologiques détectées à l'extérieur.

Avertissement – Les capteurs météorologiques ne doivent pas être considérés comme des dispositifs de sécurité en mesure d'éliminer les pannes du store (ou du volet) causées par la pluie ou les vents forts : en fait, une simple coupure de d'électricité rendrait impossible le mouvement automatique du store (ou du volet). Ces capteurs doivent donc être considérés comme faisant partie d'un automatisme utile à la sauvegarde du store (ou du volet). Nice décline toute responsabilité en cas de dommages causés par des phénomènes atmosphériques non détectés par les capteurs.

6.1.1 - Définitions et conventions

- **Commande manuelle « Soleil On »** = activation de la réception, par le moteur, des commandes automatiques transmises par le capteur « Soleil », s'il est présent dans l'installation. Dans la période pendant laquelle la réception est activée, l'utilisateur peut envoyer des commandes manuelles à tout moment : celles-ci se superposent au fonctionnement automatique de l'automatisme.
- **Commande manuelle de « Soleil Off »** = activation de la réception, par le moteur, des commandes automatiques transmises par le capteur « Soleil », s'il est présent dans l'installation. Dans la période pendant laquelle la réception est désactivée, l'automatisme fonctionne exclusivement avec les commandes manuelles envoyées par l'utilisateur. Les capteurs de « vent » et « pluie » ne peuvent pas être désactivés dans la mesure où ils servent à protéger l'automatisme de ces phénomènes atmosphériques.
- **Intensité du soleil/vent « Au-dessus du seuil »** = condition dans laquelle l'intensité du phénomène atmosphérique correspond aux valeurs hautes présentes au-dessus du seuil paramétré.
- **Intensité du soleil/vent « Au-dessous du seuil »** = condition dans laquelle l'intensité du phénomène atmosphérique correspond aux valeurs basses présentes au-dessous du seuil paramétré.
- **« Protection vent »** = condition dans laquelle le système désactive toutes les commandes d'ouverture du store (ou du volet) à cause de l'intensité du vent qui se situe au-dessus du seuil.
- **« Présence pluie »** = condition dans laquelle le système détecte la présence de pluie par rapport à la condition précédente « d'absence de pluie ».
- **« Commande manuelle »** = commande de montée, de descente ou d'arrêt envoyée par l'utilisateur par le biais d'un émetteur.

6.1.2 - Mémorisation d'un capteur climatique relié par radio

Pour mémoriser un capteur climatique effectuer la procédure 5.12.

6.1.3 - Comportements du moteur dans les différentes conditions météorologiques

Les accessoires NEMO et VOLO permettent d'automatiser le store (ou le volet) en fonction des conditions climatiques présentes dans l'environnement d'installation. Pour le réglage des niveaux de déclenchement, consulter le manuel des produits Nemo et Volo.

• Comportement de l'automatisme en présence du capteur Soleil : fig. 7

Quand l'intensité de la lumière du soleil dépasse le seuil défini pendant au moins 2 minutes (seuil supérieur soleil), le moteur effectue de manière autonome une manœuvre de descente. Quand l'intensité de la lumière du soleil descend sous le seuil d'hystérésis prévu (seuil inférieur soleil), et qu'elle y reste pendant au moins 15 minutes de suite, le moteur effectue de manière autonome une manœuvre de montée.

Note – le seuil d'hystérésis se situe à environ 50 % de la valeur du seuil configuré pour le capteur soleil.

Les chutes momentanées de l'intensité solaire, courtes ou de durée inférieure à 15 minutes, n'ont aucun effet sur le cycle dans son ensemble. Les commandes manuelles envoyées par l'utilisateur s'ajoutent aux commandes automatiques.

En usine le seuil d'intervention du capteur soleil est réglé au niveau 3 (= 15 Klux). Pour modifier cette valeur, utiliser la procédure 5.16.

• Comportement de l'automatisme en présence du capteur Pluie : fig. 8

Le capteur de pluie reconnaît deux conditions : « absence de pluie » et « présence de pluie ». Quand le moteur reçoit la signalisation de « présence de pluie », il active automatiquement la manœuvre (Montée ou Descente) que l'installateur a programmée pour cette condition (*). Le capteur de pluie se désactive automatiquement après avoir détecté l'absence de pluie pendant au moins 15 minutes.

(*) - Utiliser la procédure 5.13. pour programmer la manœuvre que le moteur doit exécuter automatiquement quand le capteur de pluie signale la « présence de pluie ».

L'automatisme lié à la pluie se désactive une fois que ce dernier a constaté l'absence de pluie pendant au moins 15 minutes. Dans ce cas également, les commandes manuelles sont toujours actives et s'ajoutent à la commande générée de manière automatique. En cas de commande manuelle contraire à la commande autonome, l'automatisme génère la commande manuelle et lance en même temps une minuterie de 15 minutes, après quoi est exécutée la commande automatique programmée (par exemple, la fermeture du store ou du volet).

Exemple : 1) Le store (ou le volet) est ouvert. **2)** Il commence à pleuvoir. **3)** Le store (ou le volet) se ferme. **4)** L'utilisateur force une ouverture quelques instants plus tard. **5)** Le store (ou le volet) se rouvre. **6)** Au bout de 15 minutes après l'ouverture, le store (ou le volet) se referme automatiquement. **7)** Il cesse de pleuvoir pendant au moins 15 minutes. **8)** L'utilisateur ouvre à nouveau le store (ou le volet). **9)** Le store (ou le volet) reste ouvert.

• Comportement de l'automatisme en présence du capteur Vent : fig. 9

Quand l'intensité du vent dépasse le seuil paramétré, le système active la protection vent et fait automatiquement remonter le store (ou le volet). Quand la protection est activée, les commandes manuelles sont désactivées (il n'est pas possible de faire descendre le store ou le volet). Au terme de la période d'interdiction, les commandes manuelles sont réactivées et, 10 minutes plus tard, le fonctionnement automatique est rétabli.

En usine le seuil d'intervention du capteur vent est réglé au niveau 3 (= vent à 15 km). Pour modifier cette valeur, utiliser la procédure 5.17.

• Comportement croisé des différentes conditions météo

Chaque condition météo a une priorité. L'ordre des priorités est le suivant : vent, pluie, soleil. Le vent est le phénomène qui a la priorité la plus élevée. Le phénomène ayant la priorité la plus élevée annule l'état de celui dont la priorité est moindre.

Exemple : 1) Par une belle journée ensoleillée, le store (ou le volet) descend sous l'effet du soleil. **2)** Si des nuages apparaissent et qu'une goutte de pluie tombe sur

le capteur, le moteur annule la condition de « soleil présent » et commande la manœuvre prévue en cas de « présence de pluie ». **3)** Si la vitesse du vent augmente et dépasse le seuil configuré, le moteur désactive la séquence automatique prévue pour la pluie et commande une manœuvre de montée qui bloque le store (ou le volet) en position de fermeture tant qu'il y a du vent. **4)** Une fois l'orage passé, au bout de 10 minutes, la condition d'alerte au vent disparaît et, à ce stade, si la condition de « présence de vent » est toujours active, cette condition est réactivée et la manœuvre paramétrée est à nouveau commandée. Une fois qu'il ne pleut plus, la routine d'actionnement en fonction du soleil est rétablie. Si l'intensité lumineuse dépasse le seuil prévu, le store (ou le volet) se ouvre. Lorsque l'intensité lumineuse descend sous le seuil inférieur soleil, une manœuvre de montée est commandée au bout de 15 minutes.

• Commandes « Soleil On » et « Soleil Off »

La commande « Soleil ON » active le fonctionnement de l'automatisme tandis que la commande « Soleil OFF » le désactive. Si l'utilisateur envoie la commande « Soleil On » (automatisme activé) et qu'à ce moment-là il y a du soleil, le système commande l'ouverture du store (ou du volet). Si l'automatisme était déjà activé, à l'envoi d'une autre commande « Soleil On », le système est réinitialisé et les algorithmes repartent au début, avec effet immédiat. Si, lorsque l'on envoie une commande « Soleil On », le niveau de luminosité du soleil ne permet pas l'ouverture (seuil supérieur soleil non dépassé), le moteur génère une commande de fermeture qui correspond à la condition présente. Dans le cas où les critères nécessaires pour un mouvement ne seraient pas respectés (par exemple, store (ou volet) fermé et absence de soleil), à l'arrivée de la commande « Soleil On », le moteur reste à l'arrêt. Si l'on envoie la commande « Soleil Off », l'automatisme est désactivé.

Exemple : le store (ou le volet) est fermé ; la commande « Soleil On » est envoyée ; s'il y a du soleil, le store (ou le volet) s'ouvre tout de suite sans attendre 2 minutes. Si l'on désactive l'automatisme, le mouvement automatique associé aux variations de luminosité du soleil est inhibé. Les automatismes associés au vent et à la pluie ne peuvent pas être désactivés.

6.1.4 - Programmation du sens dans lequel le store (ou le volet) doit être actionné en cas de pluie

En cas de pluie, le système commande automatiquement une manœuvre de montée (paramétrage d'usine). Pour modifier ce paramétrage, effectuer la procédure 5.13.

7 AVERTISSEMENTS POUR L'UTILISATION DE L'AUTOMATISME

7.1 - Nombre maximum de cycles de travail continu

En général, les moteurs de la gamme « Era » sont conçus pour un usage résidentiel et, de ce fait, pour une utilisation discontinue. Ils assurent une durée maximale d'utilisation continue de 4 minutes et, en cas de surchauffe (par exemple, due à un actionnement prolongé et continu), une « protection thermique » de sécurité intervient automatiquement et coupe l'alimentation électrique. Celle-ci est ensuite restaurée dès que la température retourne à des valeurs normales.

Que faire si... (guide pour la résolution des problèmes)

- **Lorsque l'on envoie une commande de mouvement ou que l'on appuie sur la touche pour amorcer une manœuvre, le moteur ne démarre pas.**
 - a) Vérifier si la protection thermique du moteur est en cours. Dans ce cas, pour restaurer les fonctions normales de fonctionnement, il suffit d'attendre que le moteur se refroidisse.
 - b) Vérifier si le réseau est sous tension, et si celle-ci correspond aux valeurs reportées sur la plaque du moteur.
 - c) Vérifier si le moteur est bloqué en fin de course, dans les deux sens de rotation. Dans ce cas, il suffit de baisser à nouveau les côtes de fin de course, en utilisant la procédure du paragraphe 5.5.
 - d) Vérifier si le câble d'alimentation est intégré.
- **Si le moteur ne s'arrête pas automatiquement lorsque le volet (ou le store) arrive à un fin de course.**
 - a) S'assurer que les deux touches « flèche » présentes sur le haut du moteur sont enfoncées, c'est-à-dire au niveau de la surface du moteur.
 - b) Pendant la manœuvre, s'assurer que le tambour enrouleur traîne le collier de fin de course (**fig. 6-h**).
- **Si, lors de la première manœuvre, on constate que les positions de fin de course précédemment programmées se déplacent.**
 - a) Effectuer de nouveau la procédure du paragraphe 5.5, de façon à compenser les jeux entre les mécanismes.

Si après ces contrôles des problèmes persistent, faites appel à un technicien qualifié ou bien contacter le Service Assistance de Nice.

Mise au rebut du produit

De même que pour les opérations d'installation, à la fin de la vie de ce produit, les opérations de mise au rebut doivent être effectuées par du personnel qualifié.

Ce produit se compose de différents types de matériaux : certains peuvent être recyclés, d'autres doivent être éliminés. Renseignez-vous sur les programmes de recyclage ou d'élimination prévus par les règlements en vigueur dans votre région pour cette catégorie de produit.

Attention ! – certains composants du produit peuvent contenir des substances polluantes ou dangereuses qui pourraient avoir des effets nuisibles sur l'environnement et sur la santé des personnes s'ils étaient jetés dans la nature. Comme l'indique le symbole ci-contre, il est interdit de jeter ce produit avec les déchets domestiques. Par conséquent, utiliser la méthode de la « collecte sélective » pour la mise au rebut des composants conformément aux prescriptions des normes en vigueur dans le pays d'utilisation ou remettre le produit au vendeur lors de l'achat d'un nouveau produit équivalent.



Attention ! – les règlements en vigueur localement peuvent prévoir de lourdes sanctions en cas d'élimination sauvage de ce produit.

- Les matériaux d'emballage du produit doivent être mis au rebut dans le plein respect des normes locales en vigueur.

Caractéristique techniques

Dans tous les cas, se référer aux données de la plaque signalétique du moteur.

Remarque : • Toutes les caractéristiques techniques indiquées se réfèrent à une température ambiante de 20 °C (± 5 °C). • Nice S.p.a. se réserve le droit d'apporter des modifications au produit à tout moment si elle le juge nécessaire, en garantissant dans tous les cas les mêmes fonctions et le même type d'utilisation prévu.

Déclaration UE de conformité simplifiée

Le soussigné, NICE S.p.A., déclare que l'équipement radioélectrique du type E EASYPLUS M 817 SH, E EASYPLUS M 1517 SH, E EASYPLUS M 3017 SH, est conforme à la directive 2014/53/UE.

Le texte complet de la déclaration UE de conformité est disponible à l'adresse internet suivante : <https://www.niceforyou.com/fr/support>.

CONFORMITÉ AUX NORMES CNR-210 ET AUX NORMES FCC (PARTIE 15)

Le présent appareil est conforme aux normes CNR-210 d'Industrie Canada, applicables aux appareils radio exempts de licence, et à la Partie 15 des normes FCC des Etats-Unis d'Amérique. L'exploitation est autorisée aux deux conditions suivantes : (1) l'appareil ne doit pas produire de brouillage; (2) l'utilisateur de l'appareil doit accepter tout brouillage radioélectrique subi, même si le brouillage est susceptible d'en compromettre le fonctionnement. Toutes les changements ou les modifications apportés à cet appareil, sans l'autorisation expresse du fabricant, pourrait annuler l'autorité de l'utilisateur à utiliser l'équipement.

Manual completo

Nota para consultar el manual – Algunas figuras citadas en el texto se detallan al final del manual.

1 ADVERTENCIAS Y PRECAUCIONES GENERALES DE SEGURIDAD

- ¡Atención! – Instrucciones importantes de seguridad: conserve estas instrucciones.
- ¡Atención! – Es importante respetar estas instrucciones a fin de preservar la seguridad de las personas; por tanto, antes de empezar a trabajar, es preciso leer detenidamente este manual.

1.1 - Advertencias de instalación

- Todas las operaciones de instalación, conexión, programación y mantenimiento del producto debe llevarlas a cabo única y exclusivamente un técnico cualificado y competente a tal efecto, respetando en todo momento las leyes, la normativa, los reglamentos locales y las instrucciones descritas en el presente manual.
- Antes de comenzar con la instalación, lea el apartado 3.1 para comprobar si el producto es adecuado para automatizar la persiana o el toldo. Por tanto, NO proceda con la instalación en caso de que no se trate del producto adecuado.
- Es necesario que el sistema de automatización esté desconectado de la fuente de alimentación para proceder con las operaciones de instalación y mantenimiento del producto. Además, antes de iniciar la instalación, cuelgue del dispositivo de desconexión un cartel con la siguiente indicación: "¡ATENCIÓN! MANTENIMIENTO EN CURSO".
- Antes de proceder con las tareas de instalación, aleje todos los cables eléctricos de los que no se precise para desarrollar el procedimiento y desactive todos los mecanismos que no sean necesarios para el funcionamiento de la persiana o del toldo, según proceda.
- Durante la instalación, mantenga alejadas a todas las personas de la persiana o del toldo cuando estos mecanismos se estén moviendo.
- En el catálogo de productos de Nice puede encontrar una lista de los componentes mecánicos necesarios para montar este motor en la persiana o en el toldo.
- Si el producto se instalará a menos de 2,50 m de altura del suelo, o de otra superficie de apoyo, es necesario proteger con una cubierta las piezas móviles para que no puedan ser tocadas accidentalmente. Para proteger el equipo, consulte el manual de instrucciones de la persiana o del toldo, según proceda. Asimismo, debe garantizar en todo momento el acceso para las tareas de mantenimiento.
- En los toldos es necesario garantizar una distancia horizontal mínima de 40 cm entre el toldo completamente abierto y un objeto fijo colocado delante.
- Durante la instalación manipule con cuidado el producto (fig. 1): trate de evitar aplastamientos, golpes, caídas o contactos con cualquier líquido; no introduzca objetos puntiagudos en el motor; no perforo ni aplique tornillos en la parte exterior del motor; no coloque el producto cerca de fuentes de calor y no lo exponga al fuego. Esto podría averiar el producto y provocar desperfectos de funcionamiento o situaciones peligrosas. En estos casos, suspenda inmediatamente la instalación y contacte con el Servicio de Asistencia Nice.
- No coloque tornillos en el cilindro de enrollamiento en el tramo atravesado internamente por el motor, ya que estos podrían dañar el motor.
- No aplique procedimientos distintos a los descritos en este manual para desmontar el producto.
- No realice modificaciones en ningún componente del producto si estas no están contempladas en el presente manual, ya que, el fabricante también declina cualquier responsabilidad derivada de los daños que puedan resultar de modificaciones arbitrarias realizadas en el producto.
- Antes de instalar el producto, debe comprobar las características técnicas del cable de alimentación.
- El cable de alimentación del motor es de PVC y es adecuado para el uso en ambientes interiores. Para el uso en otros ambientes proteger el cable en toda su longitud, introduciéndolo en un conducto específico para la protección de cables eléctricos.
- El cable de alimentación del aparato no se puede sustituir. Si el cable está dañado, el aparato se debe desechar.

1.2 - Advertencias de uso

- El producto no está destinado para ser utilizado por personas (niños incluidos) cuyas capacidades físicas, sensoriales o mentales sean reducidas, o sin experiencia ni conocimientos.
- No permita que los niños jueguen con los dispositivos de mando fijos.
- Durante la ejecución de una maniobra, controle el sistema de automatización y asegúrese de que las personas respeten la distancia de seguridad hasta que el sistema deje de moverse.
- No ponga en funcionamiento el sistema de automatización cuando en sus proximidades se estén realizando tareas como la limpieza de los cristales, labores de mantenimiento, etc. Además, es necesario desconectar la fuente de alimentación antes de realizar estas tareas.
- No olvide comprobar con frecuencia los muelles de equilibrio y el desgaste de los cables, siempre que el sistema esté dotado de estos componentes. No utilice el sistema de automatización en caso de que este precise de ajustes o reparaciones;

de ser así, remítase exclusivamente a personal técnico cualificado para solucionar estos problemas.

2 DESCRIPCIÓN DEL PRODUCTO Y USO PREVISTO

Era Plus es una familia de motores tubulares destinados a la automatización de persianas, toldos, pantallas solares y otras aplicaciones similares (fig. 2). **¡Queda prohibido realizar cualquier otro uso! De hecho, el fabricante no se hace responsable de los daños derivados del uso inadecuado del producto, salvo en los casos previstos en el presente manual.**

Las características del producto son las siguientes:

- se alimenta de la red eléctrica (consultar los datos en la placa del motor);
- se instala en el interior del cilindro de enrollamiento; la parte del motor que sobresale (cabeza electrónica) se fija en el techo o en la pared con bridas de soporte (no incluidos en el paquete);
- incorpora un receptor radio y una central de mando. Ésta garantiza el control electrónico del movimiento y la parada automática en el tope "0" (persiana o toldo totalmente enrollados) y en el tope "1" (persiana o toldo totalmente desenrollados). Ver la fig. 4;
- es compatible con todos los dispositivos de mando electrónico de Nice screen (transmisores y sensores climáticos);
- se puede controlar a través de transmisiones de radio o por cable mediante la utilización de varios accesorios opcionales que no se proporcionan con el sistema (ver la fig. 5);
- Los topes se programan mediante las teclas "flecha" que se encuentran en la culata del motor. Las otras funciones se programan por radio, con un transmisor portátil (accesorios no suministrados con el sistema);
- está diseñado para el uso residencial, es decir, para un uso discontinuo. De todas maneras, garantiza un tiempo de trabajo continuo, especificado en la placa de datos;
- incorpora un sistema de protección térmica que, en caso de sobrecalentamiento debido al uso continuo del sistema de automatización de forma que se sobrepasen los límites establecidos, interrumpe automáticamente la alimentación eléctrica y la restablece cuando la temperatura vuelve a ser normal;
- se encuentra disponible en varias versiones; cada una de ellas incorpora un par motor determinado (potencia).

3 INSTALACIÓN DEL MOTOR Y DE LOS ACCESORIOS

3.1 - Controles previos a la instalación y límites de utilización

- Compruebe la integridad del producto inmediatamente después de desembalarlo.
- Este producto está disponible en varias versiones y cada una de ellas cuenta con un par motor específico. Cada versión está diseñada para mover persianas o toldos con una dimensión y un peso determinados. Por tanto, antes de proceder a la instalación, asegúrese de que los parámetros del par motor, la velocidad de rotación y el tiempo de funcionamiento de este producto sean adecuados para automatizar la persiana o el toldo (consulte la "Guía de selección" que se encuentra en el catálogo de productos de Nice, disponible en www.niceforyou.com). Concretamente, **no instale el producto si el par motor es mayor del que se necesita para mover la persiana o el toldo.**
- Compruebe el diámetro del cilindro de enrollamiento, ya que este debe elegirse en función del par motor. Para ello, es necesario tener en cuenta lo siguiente:
 - para los motores de talla "M" ($\varnothing = 45$ mm) y con un par motor hasta que **35 Nm (incluido)**, el diámetro interior mínimo del cilindro de enrollamiento debe ser de 52 mm;
 - para los motores de talla "M" ($\varnothing = 45$ mm) y con un par motor superior a **35 Nm**, el diámetro interior mínimo del cilindro de enrollamiento debe ser de 60 mm;
 - para los motores de talla "L" ($\varnothing = 58$ mm), el diámetro interior mínimo del cilindro de enrollamiento debe ser de 70 mm.
- Antes de automatizar un toldo, asegúrese de que delante del mismo haya espacio libre suficiente para poder abrirlo completamente.
- En caso de realizar la instalación en exteriores, asegúrese de garantizar una protección adecuada del motor frente a condiciones atmosféricas adversas.

En los capítulos 1, 2 y en la sección "Características técnicas" se especifican límites de utilización adicionales.

3.2 - Montaje e instalación del motor tubular

¡Atención! – Antes de continuar, lea atentamente las advertencias contenidas en los apartados 1.1 y 3.1. Una instalación incorrecta puede causar graves lesiones.

Para montar e instalar el motor, consulte la fig. 6. Además, puede consultar el catálogo de productos de Nice o visitar el sitio www.niceforyou.com para seleccionar la corona del tope (fig. 6-a), la rueda motriz (fig. 6-b) y la brida de soporte del motor (fig. 6-f).

3.3 - Instalación de los accesorios


Después de instalar el motor, también es necesario instalar los accesorios en caso de que estén disponibles. Para saber cuáles son compatibles y a fin de elegir los modelos deseados, consulte el catálogo de productos de Nice, que se encuentra también en el sitio www.niceforyou.com. Para más detalles sobre las funciones de los accesorios y la programación de las opciones, consultar el capítulo 6. En la fig. 5 se indican los tipos de accesorios compatibles y su conexión al motor (todos son opcionales y, por tanto, no se suministran con el sistema).

4 CONEXIONES ELÉCTRICAS Y PRIMER ENCENDIDO

Las conexiones eléctricas se deben realizar después de haber instalado el motor y los accesorios compatibles previstos.

El interior del cable eléctrico del motor contiene los siguientes cables (fig. 5):

Cable	Color	Conexión
1	Marrón	Fase de alimentación
2	Azul	Neutro
3	Amarillo-verde	Tierra



4.1 - Conexión del motor a la red eléctrica

Utilice los cables 4, 5 y 6 (fig. 5) para conectar el motor a la red eléctrica, pero ha de respetar las siguientes advertencias:

- respete de forma estricta las conexiones indicadas en el presente manual;
- una conexión incorrecta puede provocar daños o situaciones peligrosas.

4.2 - Instalación de los dispositivos de protección en la red de alimentación eléctrica

En conformidad con las reglas de instalación eléctrica, es preciso que la red que alimenta el motor cuente con un dispositivo de protección contra cortocircuitos y con un dispositivo de desconexión de la red eléctrica (estos dos dispositivos no se encuentran en el embalaje). ¡Atención! – El dispositivo de desconexión debe tener una distancia de apertura entre los contactos, de forma que permita la desconexión completa de la fuente de alimentación, en las condiciones estables de la categoría de sobretensión III.

El dispositivo de desconexión debe estar puesto en un lugar visible del sistema de automatización y, de no ser así, debe llevar un sistema que permita bloquear cualquier reconexión accidental o no autorizada de la alimentación, para evitar riesgos.

4.3 - Conexión de los accesorios al motor

Accesorios de conexión por radio (transmisores portátiles y cualquier modelo de sensor climático): memorícelos en el motor durante las fases de programación; para ello, consulte los procedimientos descritos en este manual y en los manuales de los dispositivos.

5 PROGRAMACIÓN Y AJUSTES

5.1 - Transmisores que se deben utilizar para los procedimientos de programación

- Los procedimientos de programación solo pueden realizarse con un transmisor Nice dotado al menos de los pulsadores ▲, ■ y ▼.
- Los procedimientos de programación deben realizarse exclusivamente con un transmisor memorizado en "Modo I" (apartado 5.7 o 5.9.1).
- Si el transmisor utilizado para la programación controla varios grupos de sistemas de automatización, durante el procedimiento, antes de enviar un comando, es preciso seleccionar el "grupo" al que pertenece el sistema de automatización que se está programando.

5.2 - Posiciones en las que la persiana (o el toldo) se detiene automáticamente

El sistema electrónico que controla a cada instante el movimiento de la persiana (o el toldo) está en condiciones de pararlo automáticamente cuando la persiana (o el toldo) alcanza una determinada posición programada por el instalador. Las posiciones programables son (fig. 4):

- posición "0" = tope alto: persiana (o toldo) totalmente enrollados;
- posición "1" = tope bajo: persiana (o toldo) totalmente desenrollados.

Cuando los topes aún no están programados, el movimiento de la persiana (o el toldo) puede producirse sólo en modo manual, es decir, manteniendo pulsada la tecla de mando durante toda la maniobra; el movimiento se detiene en cuanto el usuario suelta la tecla. En cambio, después de programar los topes bastará un simple impulso en la tecla correspondiente para activar la persiana (o el toldo) y el movimiento terminará automáticamente en cuanto la persiana (o el toldo) alcance la posición prevista.

5.3 - Advertencias generales

- Los topes se deben regular después de instalar el motor en la persiana (o el toldo) y de conectarlo a la alimentación.
- En los procesos de instalación en que hay varios motores y/o más receptores, antes de proceder a la programación, es necesario desconectar la fuente de alimentación de los motores y receptores que no desea programar.
- Respete de forma estricta los límites de tiempo establecidos en los procedimientos: desde que se suelta un botón, tiene 60 segundos para pulsar el siguiente botón previsto en el procedimiento. Cuando transcurre este tiempo, el motor efectúa 6 movimientos para comunicar la anulación del procedimiento en curso.
- Durante la programación, el motor realiza un número determinado de movimientos breves, como "respuesta" al comando ejecutado por el instalador. Es importante contar el número de movimientos sin tener en cuenta la dirección en la que se efectúan.
- Cada vez que recibe alimentación, el motor ejecuta **2 movimientos** para indicar que se encuentra en una (o en algunas) de las siguientes condiciones:
 - memoria radio vacía (ningún transmisor programado);
 - una o ambas teclas flecha no bajadas (o uno o ambos topes no programados);

- sentido de rotación del motor no programado (en este caso el motor se mueve sólo con mando manual, dentro de los límites de los topes, si éstos están programados);
- motor "virgen", es decir, con los ajustes de fábrica (o con la memoria totalmente borrada mediante el procedimiento 5.10).

5.4 - Descripción general de los transmisores

5.4.1 - Transmisores compatibles

Consulte el catálogo de productos de Nice o visite el sitio www.niceforyou.com para conocer los dispositivos de mando de Nice compatibles con el receptor de radio integrado en el motor.

5.4.2 - Jerarquía en la memorización de los transmisores

En general, un transmisor se puede memorizar como PRIMER o SEGUNDO transmisor (o bien como tercero, cuarto, etc.).

A - Primer transmisor

Un transmisor se puede memorizar como primer transmisor solo si en el motor no está memorizado ningún otro transmisor. Siga el procedimiento descrito en el punto 5.7 para realizar esta memorización (de esta forma, se memoriza el transmisor en "Modo I").

B - Segundo dispositivo transmisor (o tercero, cuarto, etc.)

Un transmisor portátil (o un sensor climático por radio) se puede memorizar como segundo dispositivo transmisor (o tercero, cuarto, etc.) solo si en el motor ya está memorizado el primer transmisor. Siga el procedimiento descrito en el apartado 5.9 para efectuar esta memorización.

5.4.3 - Dos modos de memorización de los botones de un transmisor

Para memorizar los botones de un transmisor, se pueden utilizar las dos modalidades "Modo I" y "Modo II", que se pueden alternar entre sí.

- **"MODO I"** – Este modo transmite automáticamente y al mismo tiempo los distintos comandos disponibles en el motor, a través de los distintos botones disponibles en el transmisor. Con este modo, el instalador no tiene la posibilidad de modificar la asociación entre los comandos y los botones. Al finalizar el procedimiento, cada botón se asociará a un comando determinado, en función del siguiente esquema:

- botón ▲ (o bien el botón 1): se asociará con el comando de **Subida**
- botón ■ (o bien el botón 2): se asociará con el comando de **Parada**
- botón ▼ (o bien el botón 3): se asociará con el comando de **Bajada** (si en el transmisor existe un cuarto botón...)
- botón 4: se asociará con el comando de **Parada**

Nota – Si los botones del transmisor no tienen símbolos ni números, consulte la fig. 3 para identificarlos.

- **"MODO II"** – Este modo permite asociar manualmente uno de los comandos disponibles en el motor con uno de los botones del transmisor, de forma que el instalador puede seleccionar el comando y el botón deseados. Al finalizar el procedimiento, será necesario repetirlo para memorizar otro botón asociado a otro comando deseado.

¡Atención! – Cada sistema de automatización dispone de una lista propia de comandos memorizables en Modo II; en el caso de este motor, la lista de los comandos disponibles se encuentra en el procedimiento descrito en el punto 5.9.2.

5.4.4 - Número de transmisores memorizables

Se pueden memorizar 30 transmisores (incluidos posibles sensores climáticos por radio), siempre que todos se memoricen en "Modo I", o bien se pueden memorizar 30 comandos exclusivamente (botones), si todos se memorizan en "Modo II". Los dos modos pueden combinarse hasta alcanzar el límite máximo de 30 unidades memorizadas.

PROCEDIMIENTO → → →

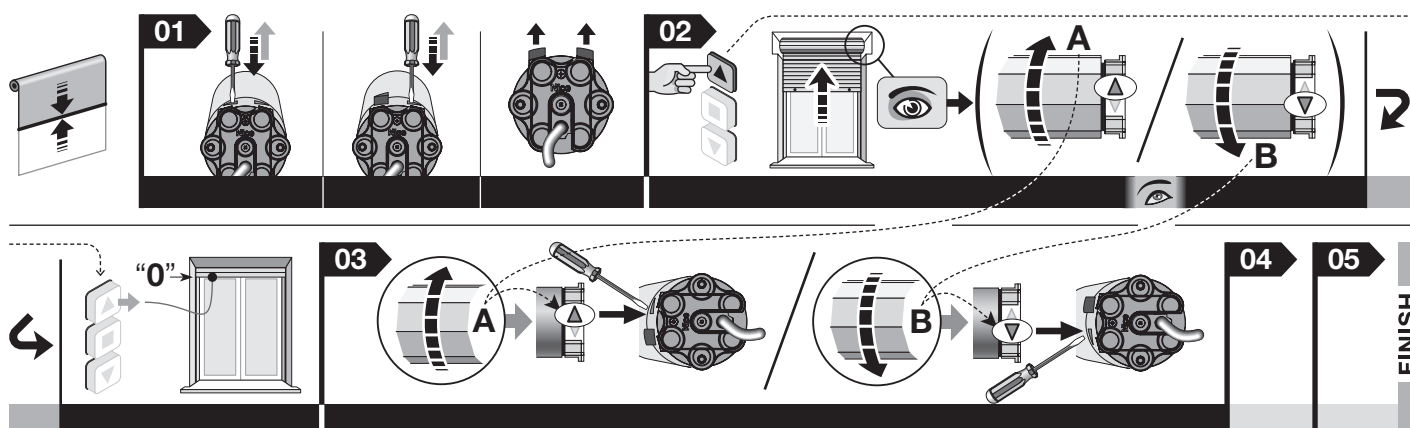
5.5 - Programación de los dos topes

Durante el movimiento de apertura y cierre, el motor detiene automáticamente la persiana o el toldo en el momento en que alcanzan la posición del tope (**fig. 4**): posición "0" = persiana (o toldo) totalmente enrollados; posición "1" = persiana (o toldo) totalmente desenrollados. Para programar estas posiciones, proceda como se indica a continuación.

Advertencias:

- Cada uno de los dos botones de flecha que se encuentran en el frontal del motor permite programar un tope. El motor sale de fábrica con estos botones pulsados y, por tanto, con topes programados con cotas arbitrarias. Para ajustar estas cotas según las características específicas de la persiana o el toldo que haya instalado, aplique el siguiente procedimiento.
- En el punto 02 del procedimiento, la primera cota que se ha de programar se puede elegir de forma libre, según las necesidades de cada instalación.

01. Compruebe que los dos botones de flecha que se encuentran en el frontal del motor no estén pulsados, es decir, que sobresalgan totalmente de la superficie del motor. Si se encuentran a ras de la superficie (pulsados), presione cada uno de ellos hasta el fondo con la ayuda de un destornillador para liberarlos.
02. Utilice el teclado de mando de pared para mover la persiana o el toldo hasta que lleguen a la cota deseada para el tope (en el ejemplo se ilustra el tope Alto "0"). **¡IMPORTANTE!** – Durante la maniobra, observe en qué dirección gira el cilindro enrollable y, en el frontal del motor, determine el botón con la flecha que siga la misma dirección en que gira el cilindro. A continuación, detenga la maniobra. **Nota** – Para realizar un ajuste eventual de la cota, utilice los dos botones del teclado de pared.
03. Por último, memorice la cota; para ello, pulse hasta el fondo (con la ayuda de un destornillador) el botón de flecha determinado anteriormente en el frontal del motor: **debe permanecer pulsado**.
04. Para ajustar el otro tope, utilice el teclado de mando de pared para mover la persiana o el toldo hasta llegar a la cota deseada para este tope.
05. Por último, memorice la cota; para ello, pulse hasta el fondo (con la ayuda de un destornillador) el botón de flecha que no ha utilizado anteriormente en el frontal del motor: **debe permanecer pulsado**.



5.6 - Para modificar solo una de las dos cotas de tope memorizadas

Para modificar un tope que ya esté memorizado (sin modificar el otro), proceda como sigue:

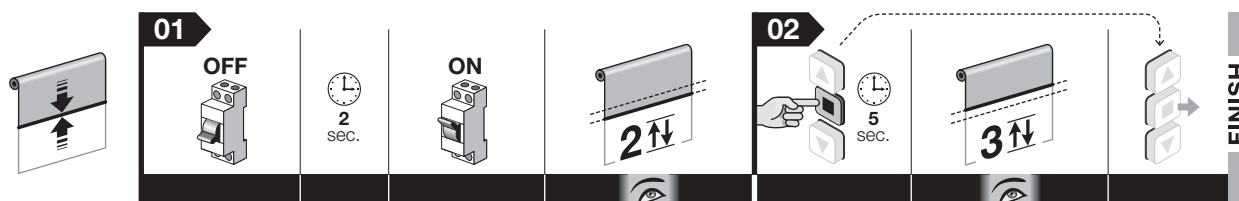
01. Con el teclado de pared, accione la persiana o el toldo de forma que se muevan unos pocos centímetros en la dirección del tope que desea modificar. **Durante la maniobra, observe en qué dirección gira el cilindro enrollable; a continuación, en el frontal del motor, determine el botón con la flecha que siga la misma dirección en que gira el cilindro** y, a continuación, detenga la maniobra.
02. (en la culata del motor) Con la persiana (o el toldo) parada, pulsar la tecla "flecha" (que se acaba de identificar), utilizando un destornillador. **La tecla debe permanecer levantada**.
03. Con el teclado de mando de pared, complete la maniobra interrumpida en el punto 01, de forma que la persiana o el toldo se muevan hasta llegar a la nueva cota del tope. **Nota** – Para realizar un ajuste eventual de la cota, utilice los dos botones del teclado de pared.
04. (En el frontal del motor) Con la persiana o el motor detenidos en el tope, pulse al máximo el botón de flecha determinado anteriormente en el frontal del motor para memorizar la nueva cota: **debe permanecer pulsado**.

5.7 - Memorización del PRIMER transmisor

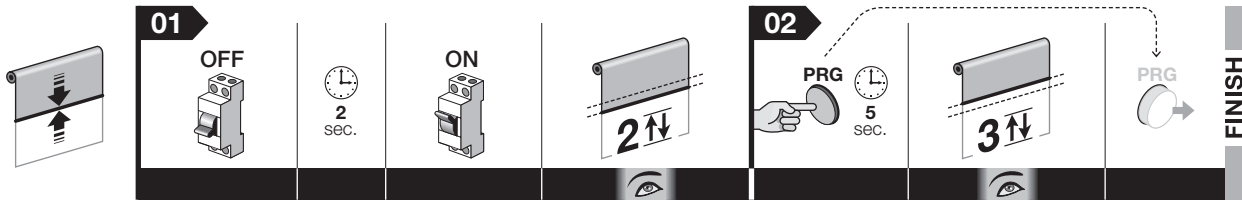
Advertencia – El motor ejecuta 2 movimientos cada vez que recibe alimentación en caso de que en el mismo no estén memorizados al menos un transmisor y las cotas de los topes.

Antes de comenzar el procedimiento, llevar la persiana (o el toldo) a mitad de recorrido.

01. Desconecte la alimentación eléctrica del motor; espere 2 segundos y vuelva a conectar la alimentación: el motor ejecuta 2 movimientos.
02. Mantenga pulsada la tecla ■ y espere a que el motor ejecute 3 movimientos. Suelte la tecla.



Nota – Después de la memorización, la dirección de Subida y Bajada de la persiana (o el toldo) aún no estará asociada a las respectivas teclas ▲ y ▼ del transmisor.



5.8 - Asociación de la dirección de subida y bajada de la persiana (o el toldo) a las respectivas teclas ▲ y ▼ del dispositivo de mando

Este procedimiento se puede ejecutar exclusivamente con un transmisor memorizado en "Modo I".

Antes de comenzar el procedimiento, llevar la persiana (o el toldo) a mitad de recorrido.

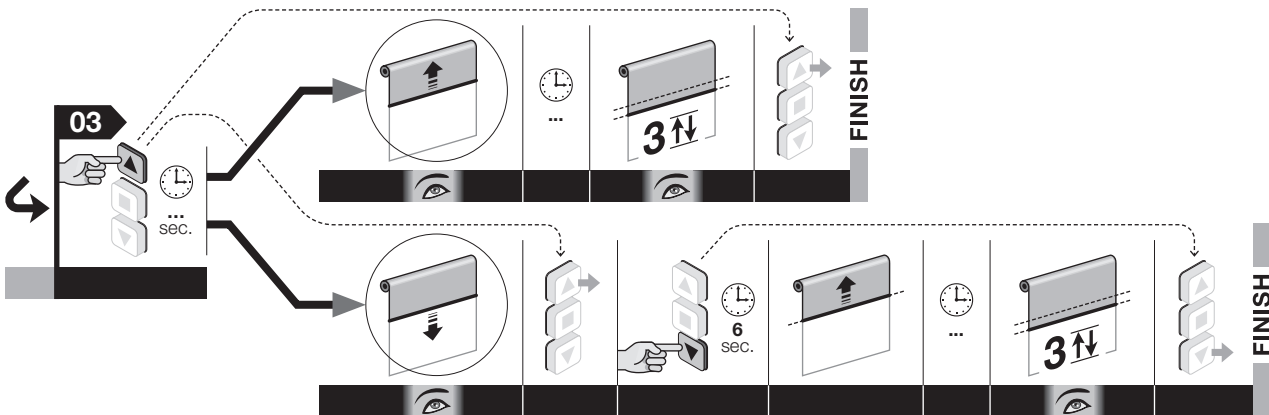
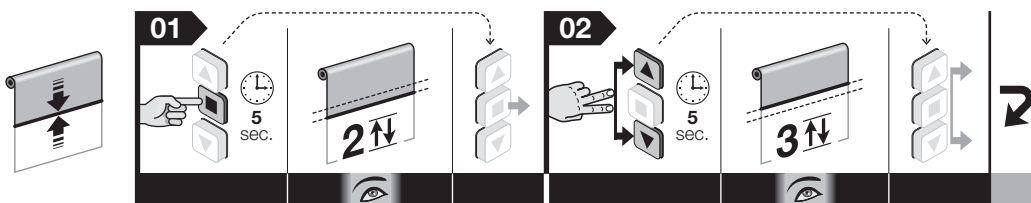
01. Mantenga pulsada la tecla ■ y espere a que el motor ejecute 2 movimientos. Suelte la tecla.

02. Mantenga pulsadas las teclas ▲ y ▼ y espere a que el motor ejecute 3 movimientos. Cuando finalice el movimiento, suelte las teclas.

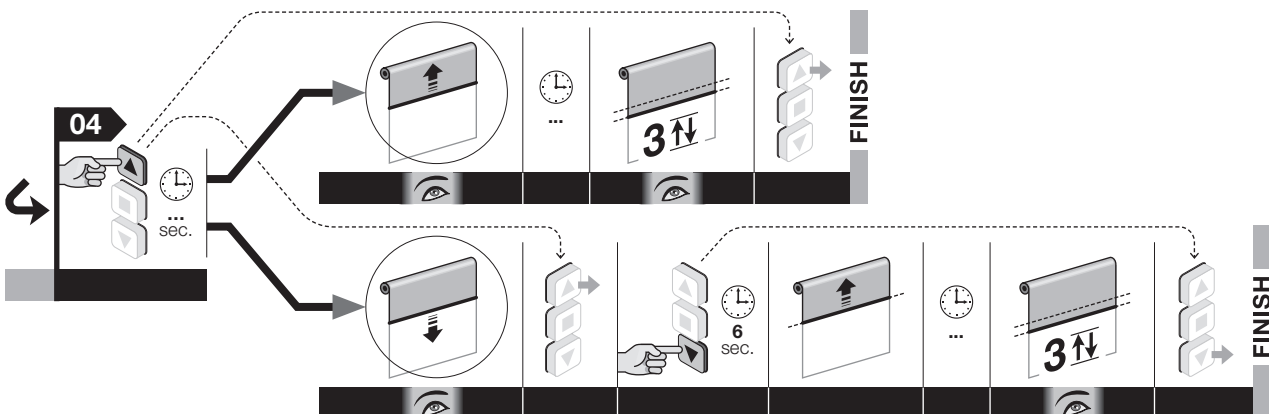
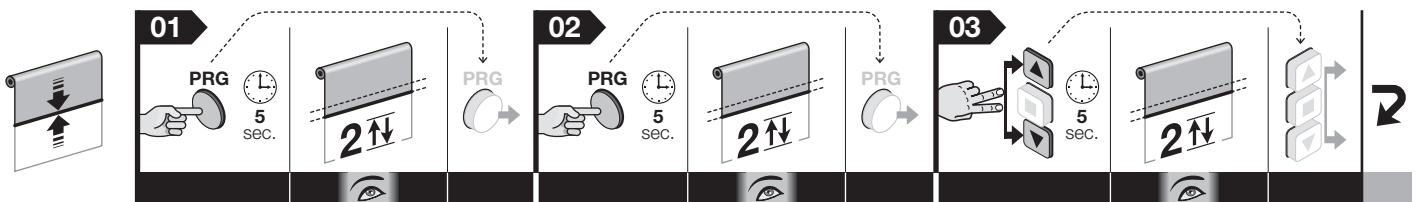
03. Mantenga pulsada la tecla ▲ y...

• si la persiana (o el toldo) arranca en **SUBIDA** mantenga pulsada la tecla ▲ y espere a que el motor ejecute 3 movimientos. Suelte la tecla.

• si la persiana (o el toldo) arranca en **BAJADA** suelte la tecla ▲ y mantenga pulsada la tecla ▼, espere a que el motor ejecute 3 movimientos. Suelte la tecla.



Nota – Durante la ejecución del procedimiento, puede anular en cualquier momento la programación; para ello, mantenga pulsadas las teclas ■ y ▼ 4 segundos. También se puede no pulsar ninguna tecla y esperar 60 segundos hasta que el motor ejecute 6 movimientos.



5.9 - Memorización de un SEGUNDO transmisor (o tercero, cuarto, etc.)

Para llevar a cabo los procedimientos, es necesario disponer de otro transmisor ya memorizado ("anterior").

5.9.1 - Memorización en "Modo I" de un segundo transmisor

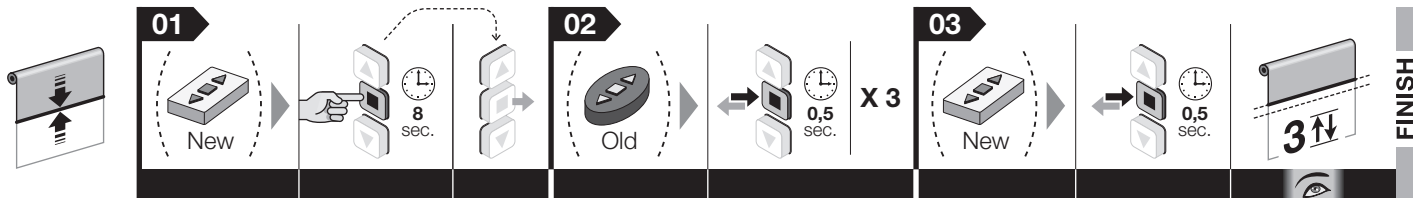
¡Atención! – El procedimiento memoriza el nuevo transmisor en "Modo I", independientemente del modo en que se haya memorizado el transmisor anterior.

Antes de comenzar el procedimiento, llevar la persiana (o el toldo) a mitad de recorrido.

01. (en el nuevo transmisor) Mantenga pulsada la tecla **■** 8 segundos y, a continuación, suéltelo (en este caso, el motor no efectúa ningún movimiento).

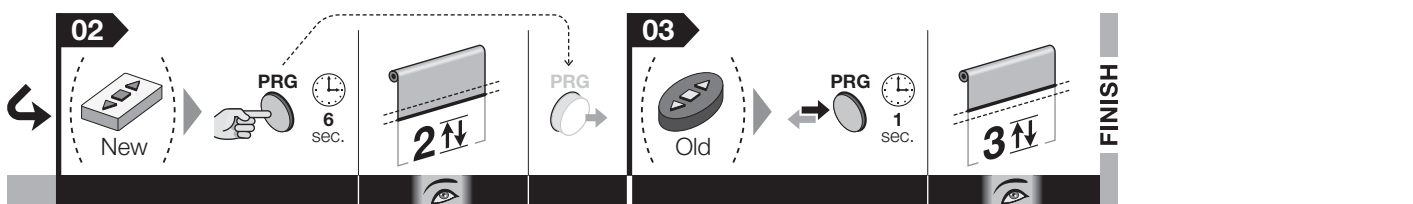
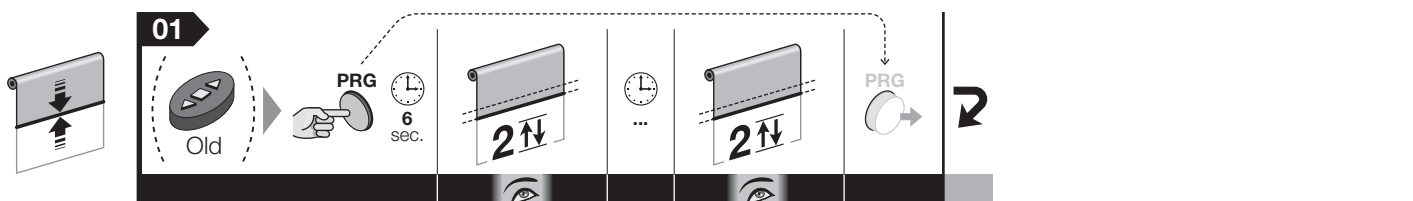
02. (en el transmisor anterior) Dar 3 pulsos a la tecla **■**, a condición de que se almacena.

03. (en el nuevo transmisor) Pulse 1 vez el botón **■**. Después de un breve período de tiempo, el motor efectúa 3 movimientos para confirmar la memorización. **¡Atención!** Si el motor efectúa 6 movimientos, significa que la memoria está llena.



Nota – Durante la ejecución del procedimiento, puede anular en cualquier momento la memorización; para ello, mantenga pulsadas las teclas **■** y **▼** 4 segundos. También se puede no pulsar ninguna tecla y esperar 60 segundos hasta que el motor ejecute 6 movimientos.

— Procedimiento 5.9.1 — ejecutable sólo con un transmisor de la serie Era P y Era W



5.9.2 - Memorización en "Modo II" de un segundo transmisor

¡Atención! – El procedimiento memoriza una tecla del nuevo transmisor en "Modo II", independientemente del modo en que se haya memorizado la tecla que se pulsa en el transmisor anterior.

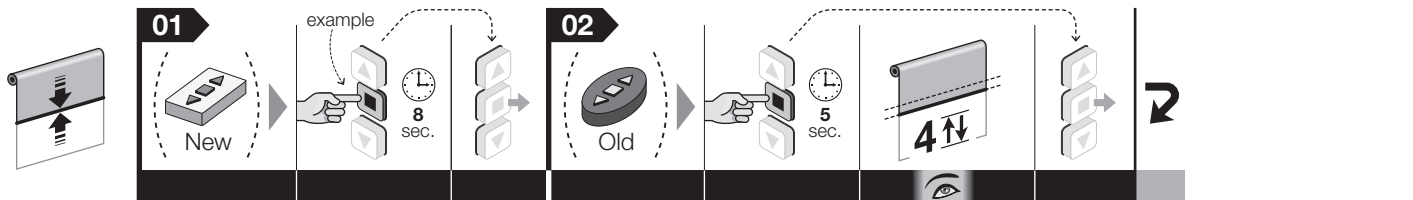
Antes de comenzar el procedimiento, llevar la persiana (o el toldo) a mitad de recorrido.

01. (en el nuevo transmisor) Mantenga pulsada la tecla que desee asociar a una de las funciones disponibles. Suelte la tecla a los 8 segundos (en este caso, el motor no efectúa ningún movimiento).

02. (en el transmisor anterior) Mantenga pulsada la tecla **■** y espere a que el motor ejecute 4 movimientos. Suelte la tecla.

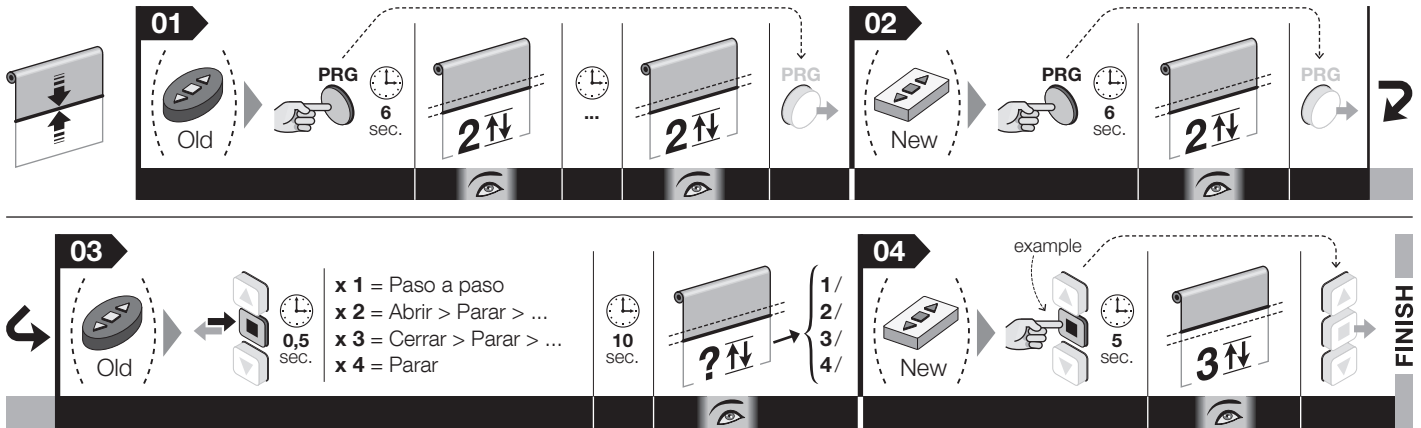
03. (en el transmisor anterior) Pulse brevemente la tecla **■** un determinado número de veces, en función del mando que desee memorizar: **• 1 impulso = mando Paso-Paso • 2 impulsos = mando Abrir > Parar > Abrir > Parar > ... • 3 impulsos = mando Cerrar > Parar > Cerrar > Parar > ... • 4 impulsos = mando Parar**. Después de 10 segundos aproximadamente, el motor ejecuta una serie de movimientos que coinciden con el número de pulsaciones que se realicen en el transmisor.

04. (en el nuevo transmisor) Mantenga pulsada la tecla que desee asociar a la función elegida y espere a que el motor ejecute 3 movimientos. Suelte la tecla. **¡Atención!** – Si el motor ejecuta 6 movimientos, significa que la memoria está llena.



Nota – Durante la ejecución del procedimiento, puede anular en cualquier momento la memorización; para ello, mantenga pulsadas las teclas ■ y ▼ 4 segundos. También se puede no pulsar ninguna tecla y esperar 60 segundos hasta que el motor ejecute 6 movimientos.

— Procedimiento 5.9.2 — ejecutable sólo con un transmisor de la serie Era P y Era W



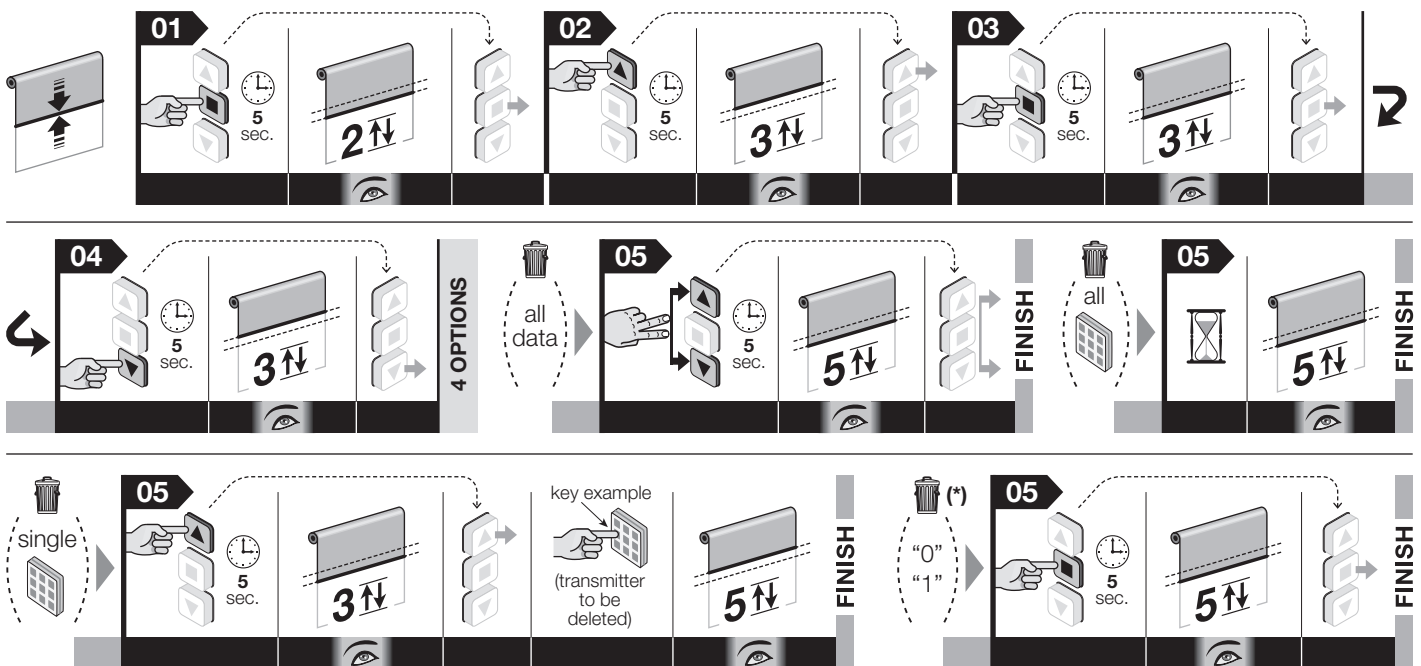
5.10 - Borrado total o parcial de la memoria

Este procedimiento permite seleccionar en el punto 05 los datos que desea borrar.

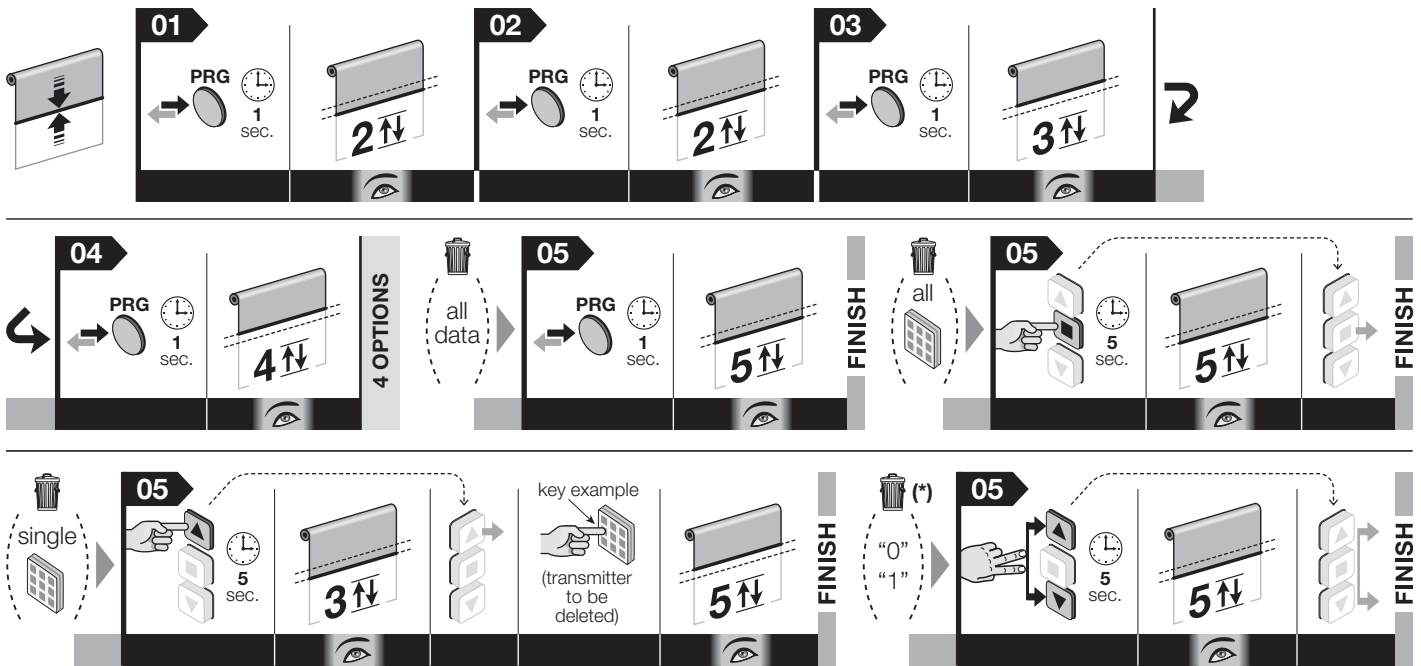
5.10.1 - Procedimiento desarrollado con un transmisor memorizado en "Modo I"

Antes de comenzar el procedimiento, llevar la persiana (o el toldo) a mitad de recorrido.

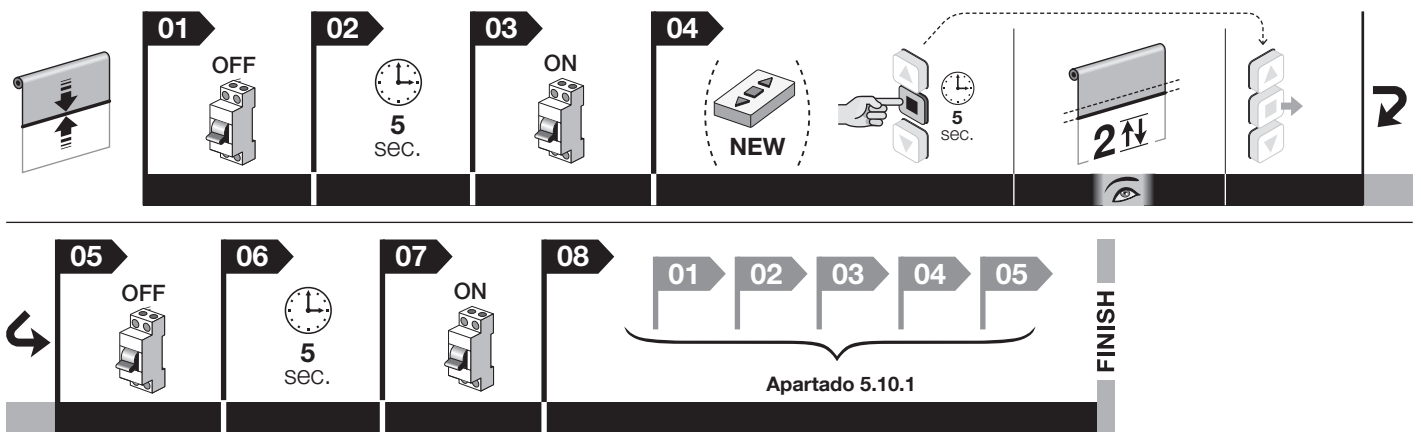
01. Mantenga pulsado el botón ■ y espere a que el motor efectúe 2 movimientos. Cuando finalice el movimiento, suelte el botón.
02. Mantenga pulsado el botón ▲ y espere a que el motor efectúe 3 movimientos. Cuando finalice el movimiento, suelte el botón.
03. Mantenga pulsado el botón ■ y espere a que el motor efectúe 3 movimientos. Cuando finalice el movimiento, suelte el botón.
04. Mantenga pulsado el botón ▼ y espere a que el motor efectúe 3 movimientos. Cuando finalice el movimiento, suelte el botón.
05. • **Para borrar toda la memoria:** mantenga pulsados simultáneamente los botones ▲ y ▼ y espere a que el motor efectúe 5 movimientos. Cuando finalice el movimiento, suelte los botones.
• **Para borrar todos los transmisores memorizados:** no pulse ningún botón y espere a que el motor efectúe 5 movimientos.
• **Para borrar un solo transmisor memorizado:** mantener pulsada la tecla ▲ y esperar hasta que el motor ejecute 3 movimientos. Soltar la tecla. Por último, pulsar la tecla del transmisor que se desea borrar: el motor ejecuta 5 movimientos.
• **Para borrar sólo los parámetros:** Mantenga pulsada la tecla ■ y espere a que el motor ejecute 5 movimientos. Suelte la tecla.



Nota – Durante la ejecución del procedimiento, puede anular en cualquier momento la programación; para ello, mantenga pulsados al mismo tiempo los botones ■ y ▼ durante 4 segundos. Como alternativa, no pulse ningún botón y espere 60 segundos a que el motor efectúe 6 movimientos.



5.10.2 - Procedimiento desarrollado con un transmisor no memorizado

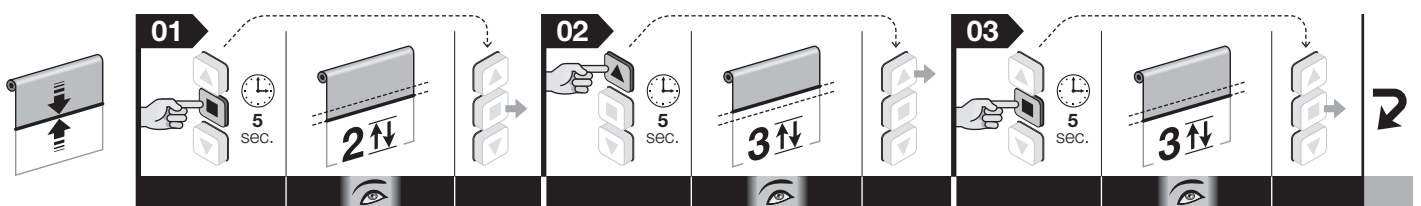


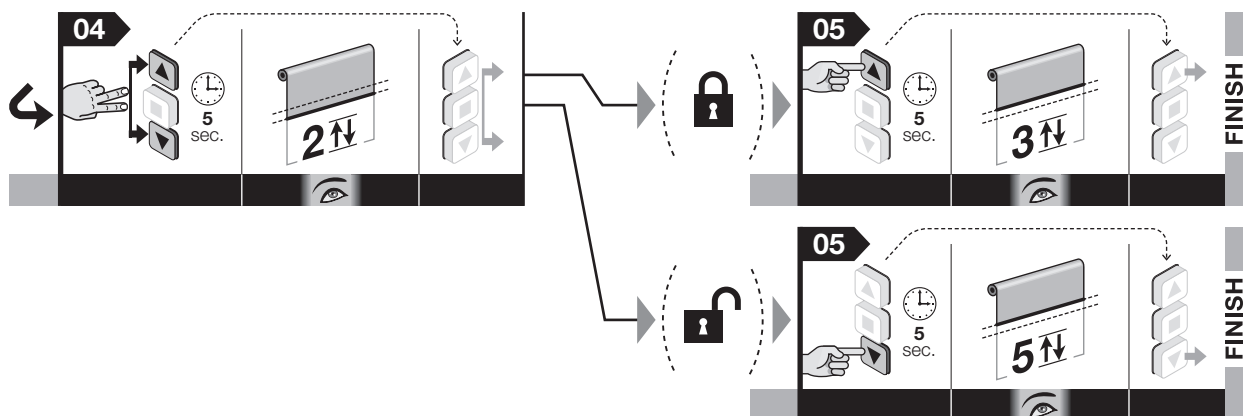
5.11 - Bloqueo y desbloqueo de la memoria

Este procedimiento permite bloquear o desbloquear la memoria del motor para impedir la memorización accidental de otros transmisores no previstos en el sistema.

Antes de comenzar el procedimiento, llevar la persiana (o el toldo) a mitad de recorrido.

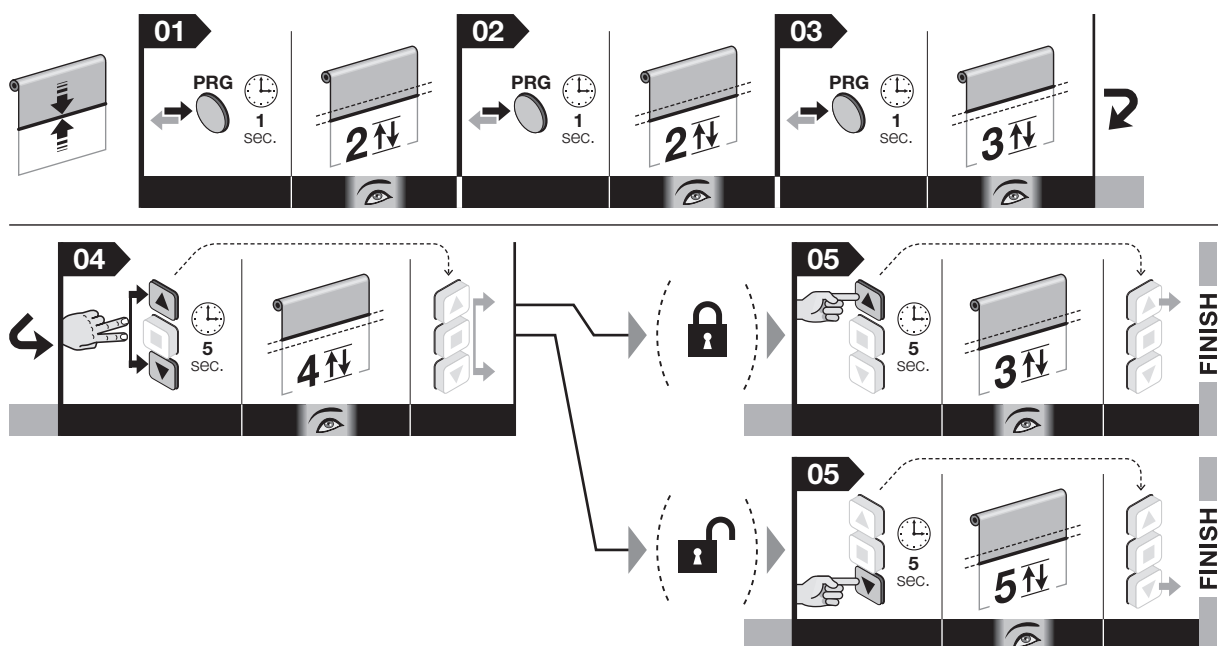
01. Mantenga pulsada la tecla **■** y espere a que el motor ejecute 2 movimientos. Suelte la tecla.
02. Mantenga pulsada la tecla **▲** y espere a que el motor ejecute 3 movimientos. Suelte la tecla.
03. Mantenga pulsada la tecla **■** y espere a que el motor ejecute 3 movimientos. Suelte la tecla.
04. Mantenga pulsadas las teclas **▲** y **▼** y espere a que el motor ejecute 2 movimientos. Cuando finalice el movimiento, suelte las teclas.
05. • **Para bloquear la memoria:** Mantenga pulsada la tecla **▲** y espere a que el motor ejecute 3 movimientos. Suelte la tecla.
• **Para desbloquear la memoria:** Mantenga pulsada la tecla **t** y espere a que el motor ejecute 5 movimientos. Suelte la tecla.





Nota – Durante la ejecución del procedimiento, puede anular en cualquier momento la programación; para ello, mantenga pulsados al mismo tiempo los botones ■ y ▼ durante 4 segundos. Como alternativa, no pulse ningún botón y espere 60 segundos a que el motor efectúe 6 movimientos.

— Procedimiento 5.11 — ejecutable sólo con un transmisor de la serie Era P y Era W



PROCEDIMIENTOS PARA ACCESORIOS OPCIONALES (véase el Capítulo 6)

5.12 - Memorización de un sensor climático conectado por radio (véase el apartado 6.1.2)

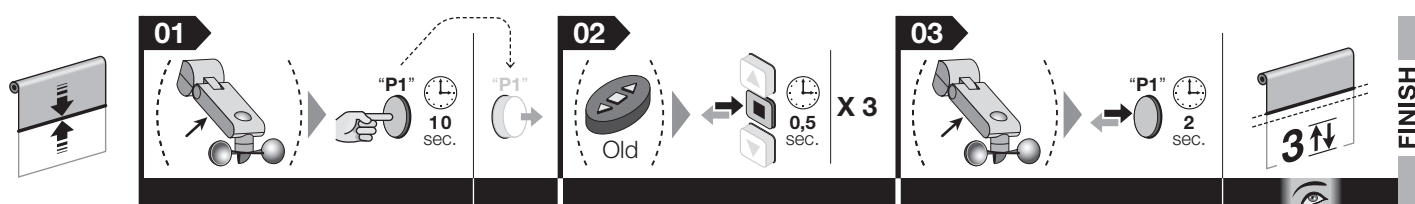
Para llevar a cabo el procedimiento, es necesario que ya haya un transmisor memorizado en "Modo I".

Antes de comenzar el procedimiento, llevar la persiana (o el toldo) a mitad de recorrido.

01. (en el sensor climático) Mantenga pulsada la tecla amarilla 10 segundos y, a continuación, suéltela (en este caso, el motor no efectúa ningún movimiento).

02. (en el transmisor preexistente) Pulsar 3 veces la tecla ■, siempre que ya esté memorizada.

03. (en el sensor climático) Mantenga pulsada la tecla amarilla 2 segundos: el motor ejecuta 3 movimientos para confirmar la memorización. **¡Atención!** – Si el motor ejecuta 6 movimientos, significa que la memoria está llena.

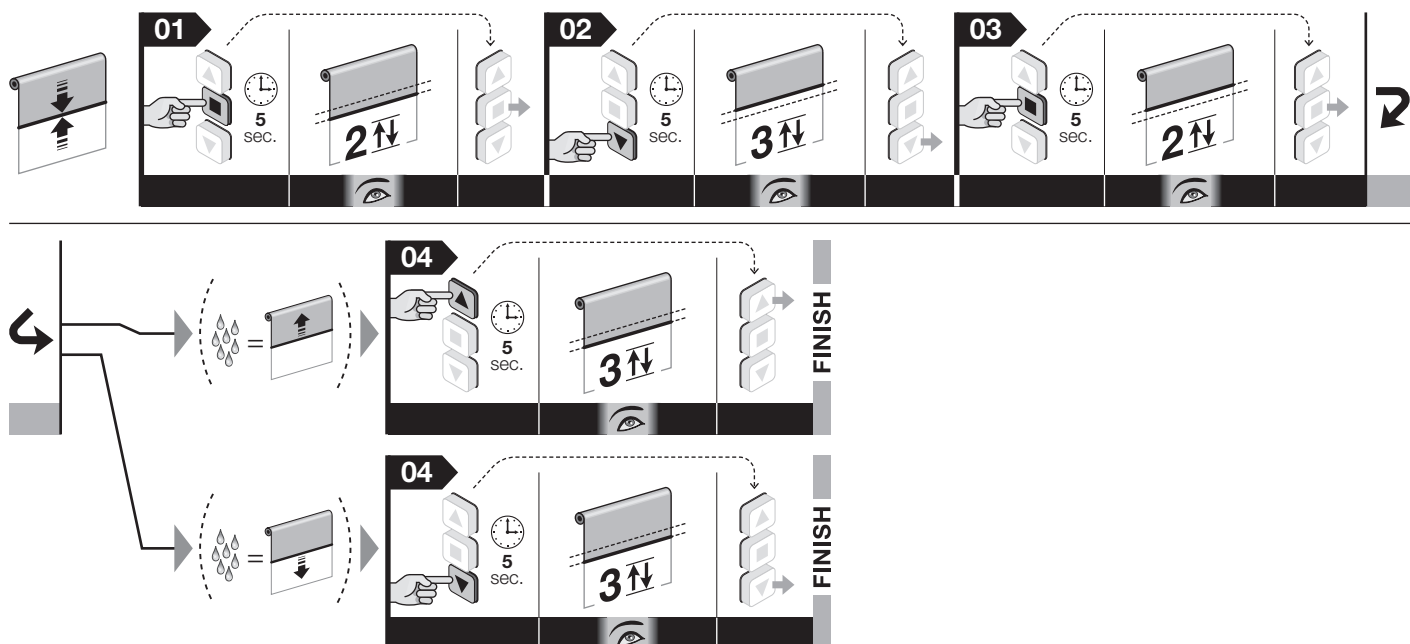


Nota – Durante la ejecución del procedimiento, puede anular en cualquier momento la programación; para ello, mantenga pulsadas las teclas ■ y ▼ 4 segundos. También se puede no pulsar ninguna tecla y esperar 60 segundos hasta que el motor ejecute 6 movimientos.

5.13 - Programación del movimiento (Subida o Bajada) que el motor debe ejecutar automáticamente cuando comience a llover (véase el apartado 6.1.4)

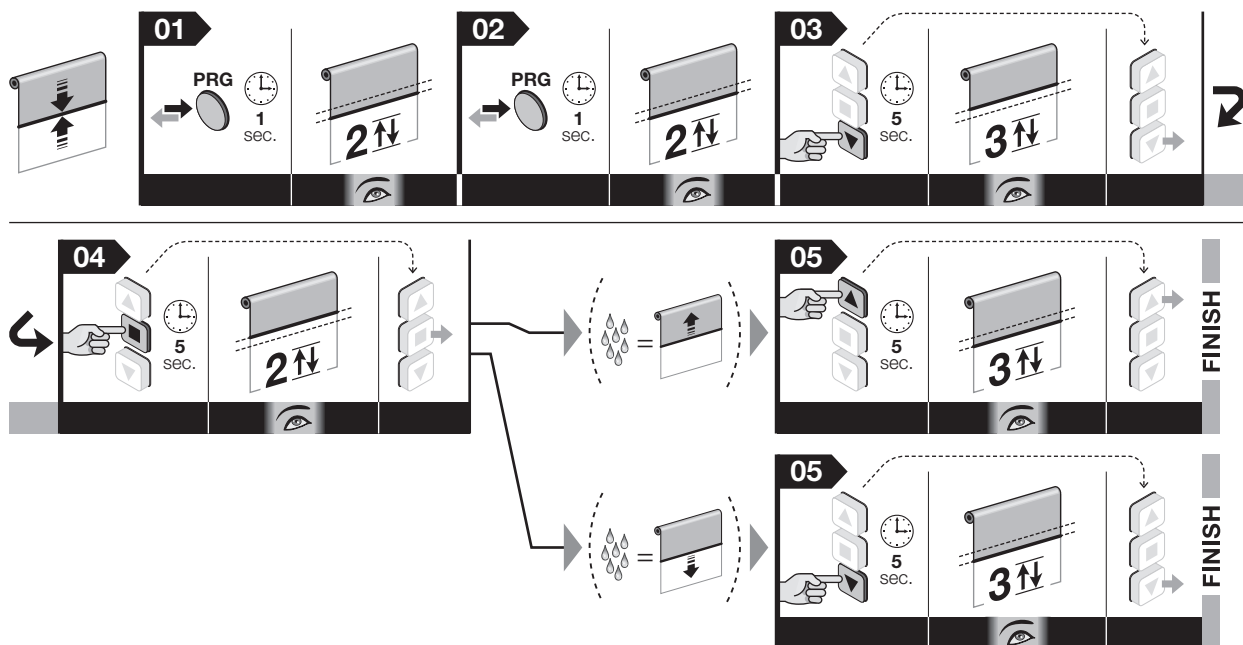
Antes de comenzar el procedimiento, llevar la persiana (o el toldo) a mitad de recorrido.

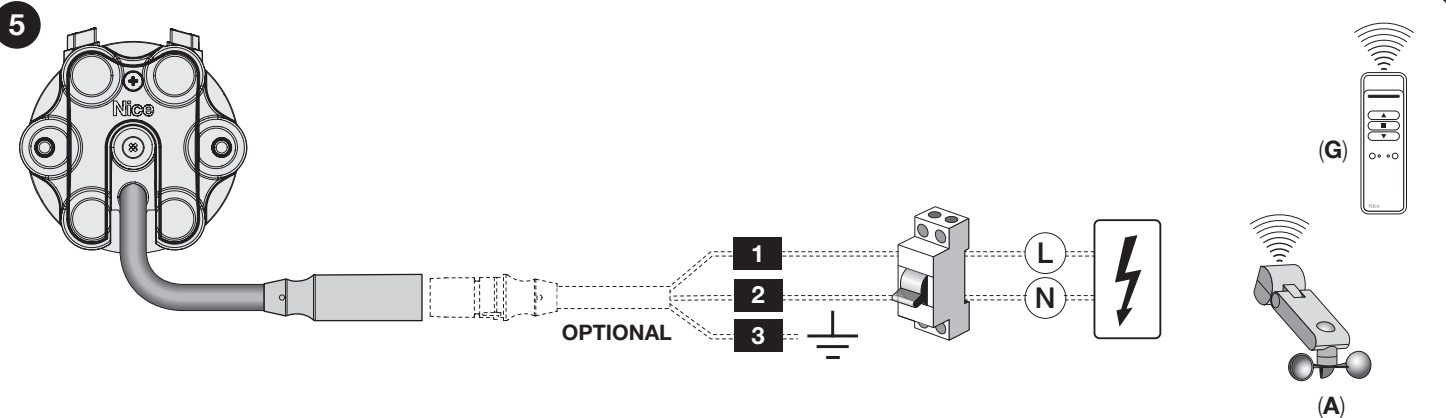
01. Mantenga pulsada la tecla **■** y espere a que el motor ejecute 2 movimientos. Suelte la tecla.
02. Mantenga pulsada la tecla **▼** y espere a que el motor ejecute 3 movimientos. Suelte la tecla.
03. Mantenga pulsada la tecla **■** y espere a que el motor ejecute 2 movimientos. Suelte la tecla.
04. Programar el movimiento que el motor deba ejecutar automáticamente cuando comience a llover, eligiendo una de las siguientes opciones:
 - para programar la **Subida** del toldo (o de la persiana): mantenga pulsada la tecla **▲** y espere a que el motor ejecute 3 movimientos. Suelte la tecla.
 - para programar la **Bajada** del toldo (o de la persiana): mantenga pulsada la tecla **▼** y espere a que el motor ejecute 3 movimientos. Suelte la tecla.



Nota – Durante la ejecución del procedimiento, puede anular en cualquier momento la programación; para ello, mantenga pulsadas las teclas **■** y **▼** 4 segundos. También se puede no pulsar ninguna tecla y esperar 60 segundos hasta que el motor ejecute 6 movimientos.

— Procedimiento 5.13 — ejecutable sólo con un transmisor de la serie Era P y Era W





• **CABLES:** 1) Marrón; 2) Azul; 3) Amarillo-verde.

• **ACCESORIOS:** A) Sensores climáticos (por radio); B) Transmisores portátiles (por radio).

6 ACCESORIOS OPCIONALES

6.1 - Sensores climáticos de viento, sol y lluvia

¡ATENCIÓN! – Se pueden utilizar exclusivamente sensores por radio. Estos accesorios controlan automáticamente los movimientos del toldo (o la persiana) en función de las condiciones atmosféricas detectadas en el exterior.

Advertencia – Los sensores climáticos no deben considerarse como dispositivos de seguridad capaces de eliminar los daños causados al toldo (o a la persiana) por el efecto de la lluvia o del viento fuerte; de hecho, un corte de suministro eléctrico impedirá totalmente el movimiento automático del toldo (o la persiana). Por tanto, estos sensores deben considerarse como elementos que forman parte de un sistema de automatización y que resultan útiles para proteger el toldo (o la persiana). Nice declina cualquier responsabilidad por daños materiales verificados a causa de condiciones atmosféricas no detectadas por los sensores.

6.1.1 - Definiciones y convenciones

- **Mando manual de “Sol On”** = permite que el motor reciba los mandos automáticos transmitidos por el sensor “Sol”, en caso de que esté instalado. En el período durante el cual está habilitada la recepción, el usuario puede enviar mandos manuales en cualquier momento: estos prevalecen sobre el funcionamiento automático del sistema de automatización.
- **Mando manual de “Sol Off”** = impide que el motor reciba los mandos automáticos transmitidos por el sensor “Sol”, en caso de que esté instalado. En el período durante el cual está inhabilitada la recepción, el sistema de automatización funciona exclusivamente con los mandos manuales enviados por el usuario. Los sensores “Viento” y “Lluvia” no pueden inhabilitarse porque sirven para proteger el sistema de automatización de estos fenómenos atmosféricos.
- **Intensidad superior al umbral de sol/viento** = condición en que la intensidad del fenómeno atmosférico corresponde a valores superiores al umbral establecido.
- **Intensidad inferior al umbral de sol/viento** = condición en que la intensidad del fenómeno atmosférico corresponde a valores inferiores al umbral establecido.
- **“Protección viento”** = condición en la cual el sistema inhibe todos los mandos de apertura del toldo (o de la persiana), dado que la intensidad del viento supera el umbral.
- **“Presencia lluvia”** = condición en que el sistema advierte de la lluvia, frente a la condición anterior de “ausencia de lluvia”.
- **“Mando manual”** = mando de Subida, Bajada o Parada enviado por el usuarios a través de un transmisor.

6.1.2 - Memorización de un sensor climático conectado por radio

Para memorizar un sensor climático, realizar el procedimiento 5.12.

6.1.3 - Comportamientos del motor ante determinadas condiciones meteorológicas

Los accesorios NEMO y VOLO permiten mover el toldo (o la persiana) de forma automática, en función de las condiciones climáticas. Para la regulación de los niveles de intervención, ver el manual de los productos Nemo y Volo.

• Comportamiento del automatismo en presencia del sensor Sol: fig. 7

Cuando la intensidad de la luz solar supera durante al menos 2 minutos el umbral programado, el motor ejecuta una maniobra de bajada de forma automática. Cuando

do la intensidad de la luz solar permanece durante al menos 15 minutos por debajo del umbral programado, el motor ejecuta una maniobra de subida de forma automática. **Nota** – el umbral de histéresis se pone en aproximadamente el 50% del valor del umbral sol regulado.

No se detecta la reducción momentánea de la intensidad solar cuya duración sea inferior a 15 minutos. Los mandos manuales enviados por el usuario se suman a los mandos automáticos.

El umbral de intervención del sensor sol viene configurado de fábrica en el nivel 3 (= 15 Klux). Para cambiar este valor seguir el procedimiento 5.16.

• Comportamiento del automatismo en presencia del sensor Lluvia: fig. 8

El sensor lluvia reconoce dos condiciones: “ausencia de lluvia” y “presencia de lluvia”. Cuando el motor recibe la señal de “presencia de lluvia”, automáticamente activa el mando (subida o bajada) que el instalador ha programado para esa condición (*). El sensor lluvia se desactiva automáticamente a los 15 minutos de no detectar lluvia.

(* - Seguir el procedimiento 5.13. para programar el mando que el motor debe ejecutar automáticamente cuando el sensor lluvia señala “presencia de lluvia”.

El automatismo lluvia se desactiva una vez que el sensor ha verificado la ausencia de lluvia durante al menos 15 minutos. Los mandos manuales del usuario siempre permanecen activos y se suman a los que el sistema genera automáticamente. En caso de mando manual contrario al mando automático, el automatismo ejecuta el mando manual y lanza un temporizador de 15 minutos; terminado este plazo, se ejecuta el mando automático programado (por ejemplo, el cierre del toldo o de la persiana).

Ejemplo: 1) El toldo (o la persiana) está abierto. **2)** Empieza a llover. **3)** El toldo (o la persiana) se cierra. **4)** El usuario fuerza una apertura después de unos instantes. **5)** El toldo (o la persiana) se abre. **6)** A los 15 minutos de la apertura, el toldo (o la persiana) se cierra automáticamente. **7)** No llueve más durante al menos 15 minutos. **8)** El usuario abre nuevamente el toldo (o la persiana). **9)** El toldo (o la persiana) permanece abierto.

• Comportamiento del automatismo en presencia del sensor Viento: fig. 9

Cuando la intensidad del viento supera el umbral programado, el sistema activa la protección viento y sube automáticamente el toldo (o la persiana). Con la protección activada, los mandos manuales se desactivan (no es posible bajar el toldo o la persiana). Al finalizar el tiempo de protección, los mandos manuales se rehabilitan y, después de 10 minutos, se restablece el funcionamiento automático.

El umbral de intervención del sensor viento viene configurado de fábrica en el nivel 3 (= viento a 15 km/h). Para cambiar este valor seguir el procedimiento 5.17.

• Cruce de las distintas condiciones meteorológicas

Cada condición tiene una prioridad. El orden de prioridad entre las condiciones atmosféricas es el siguiente: viento, lluvia, sol. El viento es el fenómeno con mayor prioridad. Un fenómeno con prioridad mayor anula el estado del fenómeno en curso si éste tiene menor prioridad.

Ejemplo: 1) En un día de sol, el toldo (o la persiana) baja por efecto del sol. **2)** Si se nubla y cae una gota de lluvia en el sensor, el motor anula la condición de “sol presente” y ordena la maniobra prevista para la condición de “presencia de lluvia”. **3)** Si la velocidad del viento aumenta y supera el umbral programado, el motor desactiva la secuencia automática prevista para la lluvia y ejecuta la subida, bloqueando el toldo (o la persiana) en cierre mientras haya viento. **4)** Cuando el temporal termina, a los 10 minutos termina la alarma viento, y si todavía llueve se rehabilita la condición “presencia de lluvia” y se ejecuta la maniobra preestablecida. Terminada la lluvia, se rehabilita la rutina del sol. Si la intensidad luminosa supera el umbral, el toldo (o la persiana) se reabre. Cuando la intensidad luminosa es inferior al umbral sol, a los 15

minutos se ejecuta la maniobra de subida.

• Mandos de “Sol-On” y “Sol-Off”

El mando “Sol-ON” habilita el funcionamiento del automatismo; el mando “Sol-OFF” lo inhabilita. Si el usuario envía el mando “Sol-On” (automatismo habilitado) y en ese momento hay sol, el sistema activa la apertura del toldo (o de la persiana); Si el automatismo ya estaba habilitado, al enviar otro mando “Sol-On” el sistema se restablece y los algoritmos se reinician de inmediato. Si cuando se envía un mando “Sol-On” el nivel de luminosidad del sol no permite la apertura (umbral sol no superado), el motor generará un mando de cierre según la condición existente. Si no se dan las condiciones para un movimiento (por ejemplo, toldo (o persiana) cerrado, ausencia de sol), al mando “Sol-On” el motor permanece parado. Al enviar un mando “Sol Off”, el automatismo se inhabilita.

Ejemplo: el toldo (o la persiana) está cerrado; se envía el mando “Sol-On”; si hay sol, el toldo (o la persiana) se abre sin esperar 2 minutos.

Inhabilitando el automatismo, se inhabilita el movimiento automático vinculado a las variaciones de luminosidad. El automatismo asociado al viento y a la lluvia no se pueden inhabilitar.

6.1.4 - Programación de la dirección en la que se mueve el toldo (o la persiana) en caso de lluvia

En caso de lluvia, el sistema ejecuta automáticamente una maniobra de subida (ajuste de fábrica). Para cambiar este realizar el procedimiento 5.13.

7 ADVERTENCIAS PARA USO DEL SISTEMA DE AUTOMATIZACIÓN

7.1 - Ciclo máximo de trabajo constante

En general, los motores de la serie “Era” están destinados para uso residencial y, por tanto, para un uso intermitente. Garantizan un tiempo de utilización constante de 4 minutos como máximo y, en los casos de sobrecalentamiento (por ejemplo, por el accionamiento constante y prolongado), interviene automáticamente un “protector térmico” de seguridad que interrumpe la alimentación eléctrica y la restablece cuando la temperatura alcanza valores normales.

Cómo proceder si... (orientación para la solución de problemas)

- **Al enviar un mando de movimiento o al pulsar la tecla para iniciar una maniobra, el motor no arranca.**
 - a) Compruebe si la protección térmica del motor está activada. En este caso, para restablecer el funcionamiento normal, basta con esperar a que el motor se enfríe.
 - b) Compruebe si hay tensión en la red y si esta se corresponde con los valores indicados en la placa del motor.
 - c) Compruebe si el motor está bloqueado en los topes, en ambos sentidos de rotación. En este caso, basta con ajustar de nuevo las cotas de los topes, para lo que debe seguir el procedimiento del apartado 5.5.
 - d) Compruebe si el cable de alimentación está íntegro.
- **Si el motor no se detiene automáticamente cuando la persiana (o el toldo) llega a un tope.**
 - a) Compruebe que los dos botones de flecha que se encuentran en el frontal del motor estén presionados, es decir, a ras de la superficie del motor.
 - b) Durante la maniobra, asegúrese de que el cilindro enrollable arrastre la polea del tope (**fig. 6-h**).
- **Si durante la primera maniobra se verifica un desplazamiento de las posiciones de tope programadas anteriormente.**
 - a) Aplique de nuevo el procedimiento del apartado 5.5, a fin de compensar los desajustes presentes entre los mecanismos.

Si persisten los problemas después de realizar estas comprobaciones, póngase en contacto con personal técnico cualificado o con el servicio de asistencia de Nice.

Desecho del producto

Al igual que con la instalación, incluso al finalizar la vida útil del producto en cuestión, las operaciones de eliminación deben realizarlas personas cualificadas a tal efecto. Este producto está fabricado con varios tipos de material: algunos se pueden reciclar y otros se deben desechar. Es preciso obtener información acerca de los sistemas de reciclaje y eliminación previstos en los reglamentos aplicables en su región para esta categoría de producto.

¡Atención! – Algunos componentes del producto pueden contener sustancias contaminantes o peligrosas que, de liberarse al medio ambiente, podrían causar daños graves al medio ambiente y a la salud humana. Según indica el símbolo que aparece en el lateral, está prohibido desechar este producto en lugares habilitados para residuos domésticos. Por tanto, practique la recogida selectiva para su eliminación en función de los métodos estipulados en los reglamentos vigentes en su región. También puede devolver el producto al proveedor cuando vaya a adquirir un producto nuevo equivalente.



¡Atención! – Los reglamentos aplicables a escala local pueden imponer fuertes sanciones en caso de que este producto se deseche de forma inadecuada.

- El material de embalaje del producto debe eliminarse de conformidad con la normativa local.

Características técnicas

Tomar como referencia los datos de la placa del motor.

Notas: • Todas las características técnicas indicadas, se refieren a una temperatura ambiental de 20°C (± 5°C). • Nice S.p.a. se reserva el derecho de aportar modificaciones al producto, en cualquier momento que lo considere necesario, manteniendo las mismas funciones y destino de uso.

Declaración UE de conformidad simplificada

Por la presente, NICE S.p.A., declara que el tipo de equipo radioeléctrico E EASYPLUS M 817 SH, E EASYPLUS M 1517 SH, E EASYPLUS M 3017 SH, es conforme con la Directiva 2014/53/UE.

El texto completo de la declaración UE de conformidad está disponible en la dirección Internet siguiente: <https://www.niceforyou.com/es/soporte>.

Vollständiges Handbuch

Hinweis zur Benutzung der Betriebsanleitung – Einige im Text genannte Abbildungen befinden sich am Ende des Handbuchs.

1 ALLGEMEINE WARNHINWEISE UND VORSICHTSMASSNAHMEN FÜR DIE SICHERHEIT

- **Achtung!** – Wichtige Sicherheitsanweisungen: Bewahren Sie diese Hinweise sorgfältig auf.
- **Achtung!** – Für die Sicherheit der Personen ist es wichtig, diese Anweisungen zu beachten; deshalb vor Beginn der Arbeit dieses Handbuch aufmerksam durchlesen.

1.1 - Hinweise zur Installation

- Alle Installations-, Anschluss-, Programmierungs- und Wartungsarbeiten, die das Produkt betreffen, dürfen nur von einem kompetenten Fachtechniker unter Beachtung der Gesetze, der Bestimmungen, der örtlichen Regelungen und der in diesem Handbuch aufgeführten Anweisungen ausgeführt werden.
- Vor Beginn der Installation lesen Sie den Abschnitt 3.1, um sicherzustellen, dass das Produkt für die Automatisierung Ihres Rollladens (oder Ihrer Markise) geeignet ist. Wenn es nicht geeignet ist, fahren Sie mit der Installation NICHT fort.
- Alle Installations- und Wartungsarbeiten müssen bei elektrisch abgeschalteter Automation erfolgen. Außerdem, vor Beginn der Arbeit der Trennvorrichtung ein Schild mit der Aufschrift „ACHTUNG! LAUFENDE WARTUNGSARBEITEN“ anbringen.
- Vor Beginn der Installationsarbeiten alle nicht notwendigen Stromkabel aus dem Arbeitsbereich entfernen und alle Mechanismen, die für den motorisierten Betrieb Ihres Rollladens (oder Ihrer Markise) nicht notwendig sind, deaktivieren.
- Während der Installation Personen vom Rollladen (oder der Markise) fern halten, wenn sich dieser (diese) bewegt.
- Die Liste der zur Kopplung dieses Motors an den Rollladen (oder an die Markise) erforderlichen mechanischen Teile ist im Nice-Produktkatalog aufgeführt.
- Wenn das Produkt bei einer Höhe unter 2,5 vom Boden oder auf einer anderen Auflagefläche installiert wird, müssen seine sich bewegenden Teile mit einer Abdeckung geschützt werden, um einen unerwünschten Zugang zu vermeiden. Für die Schutzvorrichtung siehe Betriebsanleitung des Rollladens (oder der Markise), wobei der Zugang für die Wartungseingriffe jederzeit gewährleistet sein muss.
- Bei Markisen ist es dagegen notwendig, einen waagrecht Mindestabstand von 40 cm zwischen der vollständig geöffneten Jalousie und einem eventuell davor liegenden festen Gegenstand zu garantieren.
- Während der Installation das Produkt vorsichtig behandeln (**Abb. 1**): Quetschungen, Stöße, Herunterfallen oder Kontakte mit jeglichen Flüssigkeiten vermeiden; keine spitzen Gegenstände in den Motor bringen; nicht durchbohren und keine Schrauben außerhalb des Motors anbringen; das Produkt nicht in die Nähe von Wärmequellen bringen und keinen offenen Flammen aussetzen. Diese Ereignisse können das Produkt beschädigen und die Ursache für eine mangelhafte Funktion oder gefährliche Situationen sein. In diesen Fällen die Installation sofort unterbrechen und sich an den Kundendienst von Nice wenden.
- Bei der Installation dürfen auf dem Streckenverlauf der Aufwickelrolle, die den Rohrmotor durchquert, keine Schrauben angebracht sein. Diese Schrauben könnten den Motor beschädigen.
- Das Produkt nur soweit zerlegen, wie es von der Gebrauchsanweisung vorgesehen wird.
- Änderungen nur an Produktteilen vornehmen, für die diese im Handbuch vorgesehen und beschrieben sind. Der Hersteller übernimmt keinerlei Haftung für Schäden, die durch willkürlich veränderte Produkte entstanden sind.
- Das Stromkabel des Motors besteht aus PVC und eignet sich für den Einsatz in Innenräumen. Bei einer Verwendung in anderen Umgebungen muss das Kabel über seine gesamte Länge mit einer speziellen Schutzleitung für Stromkabel geschützt werden.
- Das Versorgungskabel des Geräts kann nicht ausgetauscht werden. Wenn das Kabel beschädigt ist, muss das Gerät verschrottet werden.

1.2 - Gebrauchshinweise

- Das Produkt ist nicht dafür bestimmt, durch Personen (einschließlich Kinder) mit eingeschränkten physischen, sensorischen oder geistigen Fähigkeiten oder mangels Erfahrung und/oder mangels Wissen benutzt zu werden.
- Kinder dürfen nicht mit dem fest eingebauten Steuervorrichtungen spielen.
- Während der Ausführung eines Manövers den Automatikbetrieb kontrollieren und die Personen in einem Sicherheitsabstand halten, bis die Bewegung beendet ist.
- Steuern Sie die Automatik nicht, wenn Personen in der Nähe Reinigungsarbeiten, wie Fensterputzen, oder Wartungsarbeiten usw. ausführen. Vor Ausführung dieser Arbeiten immer den Strom abschalten.
- Denken Sie daran regelmäßig die Ausgleichsfedern und den Verschleiß der Kabel (falls diese Mechanismen vorhanden sind) zu überprüfen. Betätigen Sie die Automatik nicht, wenn Einstellung oder Reparaturen daran auszuführen sind; für die Lösung dieser Probleme wenden Sie sich ausschließlich an technisches Fachpersonal.

2 PRODUKTBE SCHREIBUNG UND EINSATZ

Era Plus ist eine Familie von Rohrmotoren, die nur für die Automatisierung von Rollläden, Markisen, Sonnenschutzbehänge und ähnliche Anwendungen bestimmt sind. (**Abb. 2**). **Jeder anderweitiger Einsatz ist verboten! Der Hersteller haftet nicht bei Schäden, die auf einen unsachgemäßen Gebrauch des Produkts im Vergleich zu der Beschreibung in diesem Handbuch zurückzuführen ist.**

Das Produkt weist die folgenden Eigenschaften auf:

- wird vom Stromnetz gespeist (konsultieren Sie die Daten in der Typenschild des Motors);
- wird in der Aufwickelrolle installiert; die aus der Rolle hervorstehende Motorseite (elektronischer Kopf) wird an der Decke oder an der Wand mit speziellen Haltebügeln befestigt (nicht in der Verpackung enthalten);
- enthält einen Funkempfänger und eine Steuerung. Diese garantiert die elektronische Steuerung der Bewegung und den automatischen Stopp am Endschalter „0“ (Markise oder Rollladen komplett aufgerollt) und am Endschalter „1“ (Markise oder Rollladen komplett abgerollt). Siehe **Abb. 4**;
- ist kompatibel mit allen elektronischen Steuergeräten von Nice screen (Sender und Klimasensoren);
- kann über Funk oder Kabel dank der verschiedenen erhältlichen Zubehörteile (nicht in der Verpackung enthalten) gesteuert werden; (siehe **Abb. 5**);
- Die Programmierung der Endschalter erfolgt mit den Pfeil-Tasten auf dem Motorkopf. Die anderen Funktionen können über Funk mit einem tragbaren Sender (Zubehör nicht im Lieferumfang enthalten);
- Das Produkt wurde für die Verwendung in Wohngebäuden entwickelt und ist demnach nicht für den Dauerbetrieb gedacht. Es wird dennoch eine durchgehende Betriebsdauer garantiert, siehe Daten auf dem Kennschild;
- es ist mit einem Wärmeschutzsystem ausgestattet, welches bei Überhitzung durch Dauereinsatz der Automatisierung über die vorgesehenen Grenznutzungsbedingungen hinaus ausgelöst wird; in diesem Fall wird die Stromzufuhr automatisch unterbrochen und nach Wiederherstellung der normalen Betriebstemperatur wieder eingeschaltet;
- erhältlich in verschiedenen Versionen, jede mit einem bestimmten Drehmoment (Leistung).

3 INSTALLATION DES MOTORS UND DER ZUBEHÖRTEILE

3.1 - Kontrollen vor der Installation und Einsatzbeschränkungen

- Überprüfen Sie das Produkt sofort nach dem Auspacken auf seine Unversehrtheit.
- Dieses Produkt ist in verschiedenen Ausführungen erhältlich. Jede Ausführung ist für die Bewegung von Rollläden (oder Markisen) mit einem bestimmten Ausmaß und Gewicht ausgelegt. Deshalb vergewissern Sie sich vor der Installation, ob die Parameter des Drehmoments, der Drehgeschwindigkeit und der Betriebszeit des vorliegenden Produkts mit den Anforderungen der Automatisierung Ihres Rollladens (oder Ihrer Markise) geeignet sind (siehe „Leitfaden zur Wahl des Produkts“ im Produktkatalog Nice – www.niceforyou.com). Insbesondere, **installieren Sie das Produkt nicht, wenn das Drehmoment desselben über dem für die Bewegung Ihres Rollladens (oder Ihrer Markise) notwendigen Drehmoment liegt.**
- Überprüfen Sie den Durchmesser der Aufwickelrolle. Diese muss entsprechend dem Drehmoment des Motors folgendermaßen gewählt werden:
 - für die Motoren der Größe „M“ ($\varnothing = 45$ mm) und mit einem Drehmoment von bis zu 35 Nm (einschließlich), muss der Innendurchmesser mindestens 52 mm betragen;
 - für die Motoren der Größe „M“ ($\varnothing = 45$ mm) und mit einem größeren Drehmoment von 35 Nm, muss der Innendurchmesser mindestens 60 mm betragen;
 - für die Motoren der Größe „L“ ($\varnothing = 58$ mm), muss der Innendurchmesser mindestens 70 mm betragen.
- Bevor man eine Markise automatisiert, muss man prüfen, dass vor derselben genügend freier Platz vorhanden ist, um sie komplett öffnen zu können.
- Im Falle einer Installation im Freien muss der Motor einen geeigneten Schutz gegen Witterungsverhältnisse gewährleisten.

Weitere Einsatzbeschränkungen können Sie den Angaben den Kapiteln 1, 2 und den „Technischen Merkmalen“ entnehmen.

3.2 - Zusammenbau und Installation des Rohrmotors

Achtung! – Bevor Sie mit der Arbeit beginnen, lesen Sie die Hinweise in den Abschnitten 1.1 und 3.1 genau durch. Eine fehlerhafte Installation kann zu ernsthaften Verletzungen führen.

Für den Zusammenbau und die Installation des Motors, beziehen Sie sich auf die **Abb. 6**. Lesen Sie außerdem im Produktkatalog Nice oder auf der Webseite www.niceforyou.com nach, welchen Endschalterkranz (**Abb. 6-a**), welches Mitnehmmrad (**Abb. 6-b**) und welchen Motorbefestigungsbügel (**Abb. 6-f**) Sie benötigen.

3.3 - Installation der Zubehörteile

Nach der Installation des Motors müssen auch die Zubehörteile (falls vorgesehen) installiert werden. Für die Feststellung welche Zubehörteile kompatibel sind und um die


gewünschten Modelle zu wählen, lesen Sie im Produktkatalog Nice auf der Webseite www.niceforyou.com nach. Um mehr über die Funktionen des Zubehörs zu erfahren und die gewünschten Optionen zu programmieren, siehe Kapitel 6. Auf der **Abb.**

4 ELEKTRISCHE ANSCHLÜSSE VOR DEM EINSCHALTEN

Die elektrischen Anschlüsse dürfen erst nach Installation des Motors und der vorgesehenen kompatiblen Zubehörteile ausgeführt werden.

Das Stromkabel des Motors besteht aus den folgenden internen Kabeln (**Abb. 5**):

Kabel	Farbe	Anschluss
1	Braun	Speisungsphase
2	Blau	Nullleiter
3	Gelb-grün	Erde



4.1 - Anschluss des Motors an das Stromnetz

Die Kabel 4, 5, 6 (**Abb. 5**) für den Anschluss des Motors an das Stromnetz verwenden; dabei die folgenden **Hinweise** beachten:

- beachten Sie die in diesem Handbuch aufgeführten Anschlüsse genau;
- ein falscher Anschluss kann Defekte oder gefährliche Situationen auslösen.

4.2 - Installation der Schutzvorrichtungen innerhalb des Stromnetzes

In Übereinstimmung mit den Vorschriften für elektrische Installationen müssen im Stromversorgungsnetz des Motors ein Kurzschlusschutz und ein Lasttrennschalter installiert werden (die zwei Vorrichtungen sind nicht in der Verpackung enthalten). **Achtung!** – Die Trennvorrichtung muss einen **Öffnungsabstand der Kontakte aufweisen, welcher eine vollständige Trennung vom Stromnetz unter den Bedingungen der Überspannungskategorie III ermöglicht**.

Der Lasttrennschalter muss vom Antrieb aus sichtbar sein. Im gegenteiligen Fall ist ein System zu installieren, das einen versehentlichen oder nicht autorisierten Anschluss der Netzspannung verhindert, um jede mögliche Gefahr auszuschließen.

4.3 - Anschluss der Zubehörteile an den Motor

Über Funk verbindbare Zubehörteile (tragbare Sender und einige Modelle der Klimasensoren): Speichern Sie dieses Zubehör während der Programmierungsphase im Motor; befolgen Sie dabei die in diesem Handbuch und in den Handbüchern der Zubehörteile aufgeführten Verfahren.

5 PROGRAMMIERUNGEN UND EINSTELLUNGEN

5.1 - Sender zum Einsatz für die Programmierungsverfahren

- Die Programmierungsverfahren können nur mit einem Sender Nice ausgeführt werden, der mindestens über die Tasten **▲**, **■**, **▼** verfügt.
- Die Programmierungsverfahren können nur mit einem im „Modus I“ gespeicherten Sender ausgeführt werden (Abschnitt 5.7 oder 5.9.1).
- Wenn der für die Programmierung eingesetzte Sender mehr Automatisierungsgruppen steuert, muss während eines Verfahrens vor dem Absenden einer Steuerung die „Gruppe“ gewählt werden, zu der die zu programmierende Automatisierung gehört.

5.2 - Positionen, in denen der Rollladen (oder die Markise) automatisch stoppt

Das elektronische System, das jeden Bewegungsmoment des Rollladens (oder der Markise) steuert, ist in der Lage, die Bewegung selbstständig anzuhalten, wenn der Rollladen (oder die Markise) eine vom Installateur festgelegte Position erreicht. Die programmierbaren Positionen sind (**Abb. 4**):

- Position „0“ = Endschalter oben: Rollladen (oder Markise) ganz aufgerollt;
- Position „1“ = Endschalter unten: Rollladen (oder Markise) ganz abgerollt.

Wenn die Endschalter noch nicht programmiert sind, kann die Bewegung des Rollladens (oder der Markise) nur über die „Totmannfunktion“ erfolgen, d. h. indem die Bedientaste für den gewünschten Zeitraum der Bewegung gedrückt gehalten wird; die Bewegung stoppt, sobald der Benutzer die Taste loslässt. Nach der Programmierung der Endschalter reicht hingegen ein einfaches Drücken auf die gewünschte Taste, um den Rollladen (oder die Markise) zu starten; die Bewegung hält selbstständig an, sobald der Rollladen (oder die Markise) die vorgesehene Position erreicht hat.

5.3 - Allgemeine Warnhinweise

- Die Einstellung der Endschalter muss nach der Installation des Motors im Rollladen (beziehungsweise in der Markise) und nach dem Anschluss ans Stromnetz erfolgen.
- Bei Installationen, bei denen mehrere Motoren und/oder mehrere Empfänger vorhanden sind, muss vor der Programmierung der Strom von den Motoren und Empfängern abgeschaltet werden, die man nicht programmieren möchte.
- Beachten Sie genau die in den Verfahren aufgeführten Zeitlimits: Ab dem Loslassen der Taste hat man 60 Sekunden Zeit, um die nächste für das Verfahren vorgesehene Taste zu drücken; nach dem Ablauf dieser Zeit führt der Motor 6 Bewegungen aus, um die Annullierung des laufenden Verfahrens mitzuteilen.
- Während der Programmierung führt der Motor eine bestimmte Anzahl kurzer Be-

wegungen aus, als „Antwort“ auf den vom Installateur eingegebenen Befehl. Es ist wichtig, die Anzahl dieser Bewegungen zu zählen, ohne auf die Richtung zu achten, in die diese ausgeführt werden.

- Sobald der Motor stromversorgt wird, führt er **2 Bewegungen** aus zur Anzeige, dass mindestens einer der folgenden Zustände besteht:
 - Senderspeicher leer (kein Sender programmiert).
 - Eine oder beide Pfeiltasten nicht gedrückt (oder mindestens ein Endschalter nicht programmiert).
 - Drehrichtung des Motor nicht programmiert (in diesem Fall verfährt der Motor nur, wenn die Bedientaste gedrückt gehalten wird („Totmannbedienung“), im Bereich zwischen den beiden Endschaltern, falls diese programmiert wurden.)
 - Neuer Motor mit werkseitigen Einstellungen (oder der Speicher wurde mit Prozedur 5.10 komplett gelöscht).

5.4 - Übersicht der Sender

5.4.1 - Kompatible Sender

Lesen Sie im Katalog der Produkte Nice oder auf der Homepage www.niceforyou.com nach, welche Steuervorrichtungen Nice mit dem im Motor integrierten Funkempfänger kompatibel sind.

5.4.2 - Rangfolge bei der Speicherung der Sender

Im Allgemeine kann ein Sender als ERSTER oder als ZWEITER (oder dritter, vierter usw.) Sender gespeichert werden.

A - Erster Sender

Ein Sender kann nur dann als erster Sender gespeichert werden, wenn im Motor kein anderer Sender gespeichert ist. Für diese Speicherung das Verfahren 5.7 ausführen (dieses Verfahren speichert den Sender im „Modus I“).

B - Zweiter Sender (oder dritter, vierter, usw.)

Ein tragbarer Sender (oder ein Klimasensor über Funk) kann nur dann als zweiter (oder dritter, vierter, usw.) Sender gespeichert werden, wenn im Motor bereits der Erste Sender gespeichert ist. Für diese Speicherung führen Sie eines der Verfahren unter Abschnitt 5.9 aus.

5.4.3 - Zwei Modalitäten, um die Tasten eines Senders zu speichern

Für die Speicherung der Tasten eines Senders können zwei untereinander alternative Modalitäten verwendet werden; diese werden bezeichnet mit: „Modus I“ und „Modus II“.

- **„MODUS I“** – Dieser Modus überträgt automatisch und auf einmal alle im Motor verfügbaren Befehle auf die auf dem Sender verfügbaren Tasten, ohne dem Installateur die Möglichkeit zu geben, die Zuordnung von Befehlen und Tasten zu verändern. Am Ende des Verfahrens ist jede Taste nach einem werkseitig bestimmtem Schema einem bestimmten Befehl zugeordnet:
 - Taste **▲** (oder Taste **1**): Wird der Steuerung **Hochfahren** zugeordnet.
 - Taste **■** (oder Taste **2**): Wird der Steuerung **Stopp** zugeordnet.
 - Taste **▼** (oder Taste **3**): Wird der Steuerung **Herunterfahren** zugeordnet. (wenn auf dem Sender eine vierte Taste vorhanden ist....)
 - Taste **4**: Wird der Steuerung **Stopp** zugeordnet.

Anmerkung – Wenn die Tasten Ihres Senders nicht mit Symbolen und Nummern versehen sind, siehe **Abb. 3** für die Zuordnung derselben.

- **„MODUS II“** – Dieser Modus ermöglicht die manuelle Zuordnung eines der im Motor verfügbaren Befehle zu einer der Tasten des Senders, und ermöglicht dem Installateur dabei, den gewünschten Befehl und die gewünschte Taste auszuwählen. Am Ende des Verfahrens muss zur Speicherung der Zuordnung einer anderen Taste zu einem anderen Befehl das Verfahren wiederholt werden. **Achtung!** – Jede Automatisierung hat eine eigene speicherbare Liste der Befehle in Modus II; im Falle des vorliegenden Motors befindet sich die Liste der verfügbaren Steuerungen im Verfahren 5.9.2.

5.4.4 - Anzahl der speicherbaren Sender

Es können bis zu **30 Sender** (einschließlich eventuelle Klimasensoren über Funk) gespeichert werden, wenn diese alle im „Modus I“ gespeichert werden, oder es können **30 einzelne Befehle (Tasten)** gespeichert werden, wenn diese alle im „Modus II“ gespeichert werden. Die beiden Modalitäten können bis zu einer Höchstgrenze von 30 gespeicherten Einheiten miteinander funktionieren.

VORGANG → → →

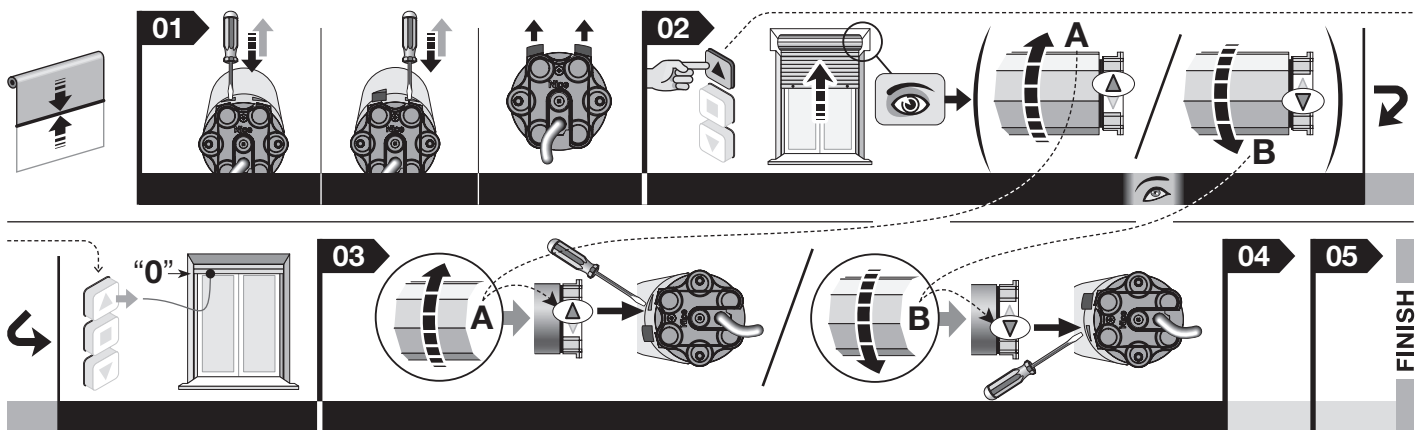
5.5 - Programmierung der beiden Endschalter

Während der Auf- und Abwärtsbewegungen stoppt der Motor den Rollladen (oder die Markise) in dem Moment automatisch, in dem dieser (diese) eine Endschalterposition erreicht (**Abb. 4**): Position „0“ = Rollladen (oder Markise) ganz aufgerollt; Position „1“ = Rollladen (oder Markise) ganz abgerollt. Um diese Positionen zu programmieren, wie folgt vorgehen.

Hinweise:

- Die beiden „Pfeiltasten“ auf dem Motorkopf ermöglichen, jeweils einen Endschalter zu programmieren. Der Motor verlässt das Werk mit diesen gedrückten Tasten, also mit bereits in willkürlichen Positionen programmierten Endschaltern. Um diese Positionen an die spezifischen Merkmale Ihres Rollladens (oder Ihrer Markise) anzupassen, wie folgt vorgehen.
- Bei Punkt 02 des Verfahrens kann die erste Position, die programmiert werden soll, frei gewählt werden, je nach den entsprechenden Anforderungen.

01. Sicherstellen, dass die beiden auf dem Motorkopf angeordneten „Pfeiltasten“ gelöst sind, also dass sie vollkommen über die Oberfläche des Motors überstehen. Wenn sie mit der Oberfläche des Motors übereinstimmen (also gedrückt sind), müssen sie gelöst werden, indem jede Taste mit Hilfe eines Schraubendrehers bis zum Anschlag gedrückt wird.
02. Die Bedientafel an der Wand verwenden, um den Rollladen (oder die Markise) auf die für den Endschalter gewünschte Position zu fahren (im Beispiel ist der Endschalter Oben, „0“ aufgeführt). **WICHTIG!** – **Während der Bewegung beobachten, in welche Richtung sich die Aufwickelrolle bewegt und auf dem Motorkopf die Taste mit dem Pfeil ausmachen, der in die gleiche Richtung zeigt, in die sich die Rolle dreht.** Dann die Bewegung stoppen. **Hinweis** – Um eine etwaige Feineinstellung der Position vorzunehmen, die beiden Tasten der Bedientafel an der Wand verwenden.
03. Zuletzt die Position speichern, indem die zuvor auf dem Motorkopf ausgemachte „Pfeiltaste“ (mit Hilfe eines Schraubendrehers) bis zum Anschlag gedrückt wird: Diese **muss in gedrückter Position blockiert bleiben**.
04. Zur Einstellung des anderen Endschalters die Bedientafel an der Wand verwenden, um den Rollladen (oder die Markise) auf die für diesen Endschalter gewünschte Position zu fahren.
05. Zuletzt die Position speichern, indem die andere, zuvor nicht verwendete „Pfeiltaste“ auf dem Motorkopf (mit Hilfe eines Schraubendrehers) bis zum Anschlag gedrückt wird: Diese **muss in gedrückter Position blockiert bleiben**.



5.6 - Zum Ändern von nur einer der beiden gespeicherten Endschalterpositionen

Zum Ändern eines bereits gespeicherten Endschalters (ohne Änderung des anderen Endschalters), wie folgt vorgehen:

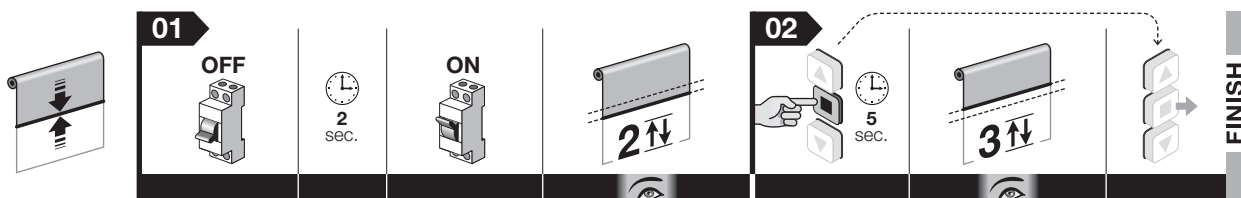
01. Mit der Bedientafel an der Wand den Rollladen (oder die Markise) steuern und ihn (sie) nur wenige Zentimeter in die Richtung des Endschalters bewegen, der geändert werden soll: **Während der Bewegung beobachten, in welche Richtung sich die Aufwickelrolle bewegt; dann auf dem Motorkopf die Taste mit dem Pfeil ausmachen, der in die gleiche Richtung zeigt, in die sich die Rolle dreht** und die Bewegung stoppen.
02. (auf dem Motorkopf) Bei stillstehendem Rollladen (oder stillstehender Markise) die Pfeiltaste mit einem Schraubendreher herunterdrücken, die zuvor ermittelt wurde. **Die Taste muss in erhöhter Position stehen.**
03. Mit der Bedientafel an der Wand die unter Punkt 01 unterbrochene Bewegung fortsetzen und den Rollladen (oder die Markise) in die neue Endschalterposition fahren. **Hinweis** – Um eine etwaige Feineinstellung der Position vorzunehmen, die beiden Tasten der Bedientafel an der Wand verwenden.
04. (auf dem Motorkopf) Bei am Endschalter stillstehendem Rollladen (oder Markise) die neue Position speichern, indem die zuvor auf dem Motorkopf ausgemachte „Pfeiltaste“ (mit Hilfe eines Schraubendrehers) bis zum Anschlag gedrückt wird: **Diese muss in gedrückter Position blockiert bleiben.**

5.7 - Speicherung des ERSTEN Senders

Hinweis – Jedes Mal, wenn der Motor mit Strom versorgt wird und in seinem Speicher nicht mindestens ein Sender und die Höhen der Endschalter vorhanden sind, werden 2 Bewegungen ausgeführt.

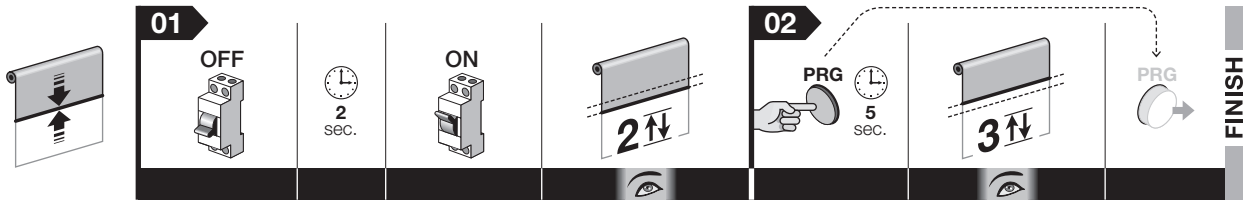
Vor Beginn des Verfahrens den Rollladen (oder die Markise) auf der Hälfte ihres Wegs positionieren.

01. Schalten Sie den Strom am Motor ab; warten Sie 2 Sekunden, und führen Sie dem Motor erneut Strom zu: Der Motor führt 2 Bewegungen aus.
02. Halten Sie die Taste ■ gedrückt und warten Sie, bis der Motor 3 Bewegungen ausführt. Die Taste dann wieder loslassen.



Anmerkung – Nach der Speicherung, ist die An- und Abtriegsrichtung des Rollladens (oder der Markise) noch nicht den entsprechenden Tasten ▲ und ▼ des Senders zugeordnet.

— Prozedur 5.7 — ausführbare nur mit einem Sender der Serie Era P und Era W



5.8 - Zuordnung der Anstiegs- und Abstiegsrichtung des Rollladens (oder der Markise) zu den Tasten ▲ und ▼ des Steuergeräts

Diese Prozedur kann nur mit im „Modus I“ gespeicherten Sender ausgeführt werden.

Vor Beginn des Verfahrens den Rollladen (oder die Markise) auf der Hälfte ihres Wegs positionieren.

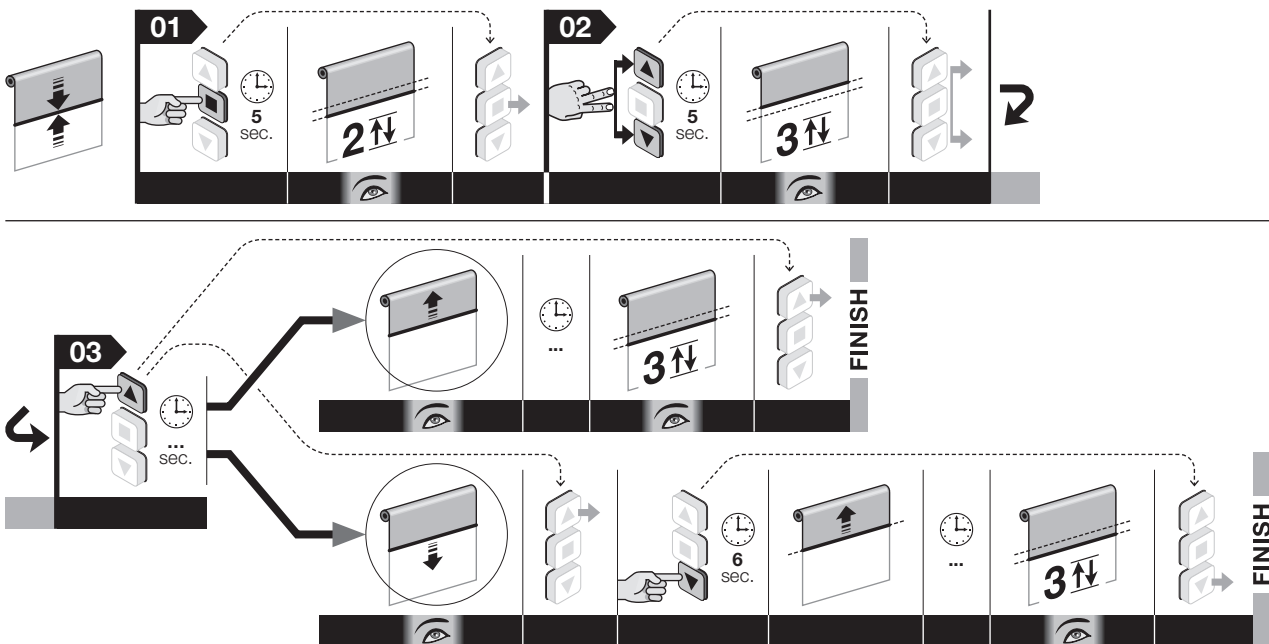
01. Halten Sie die Taste ■ gedrückt und warten Sie, bis der Motor 2 Bewegungen ausführt. Die Taste dann wieder loslassen.

02. Halten Sie die Tasten ▲ und ▼ gleichzeitig gedrückt, und warten Sie, bis der Motor 3 Bewegungen ausführt. Am Ende lassen Sie die Tasten los.

03. Die Taste ▲ gedrückt halten und...

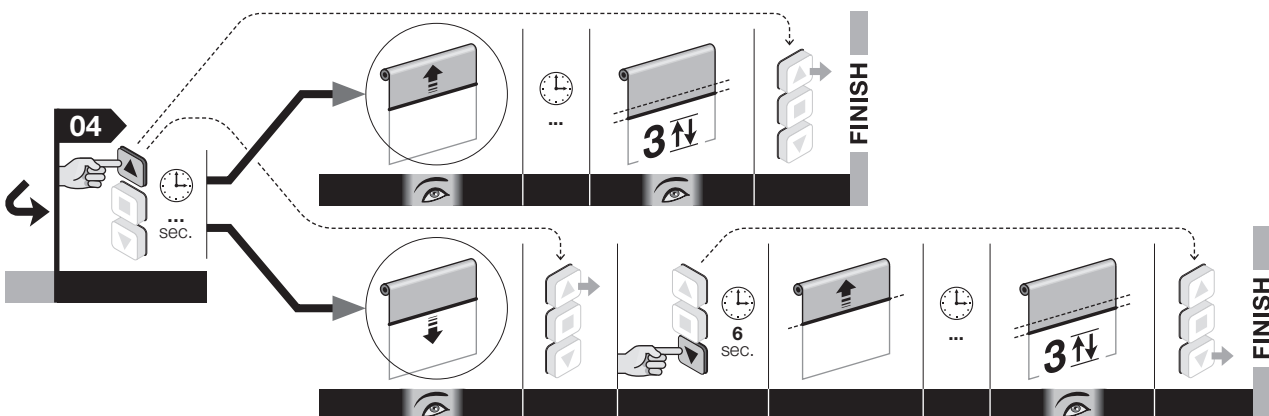
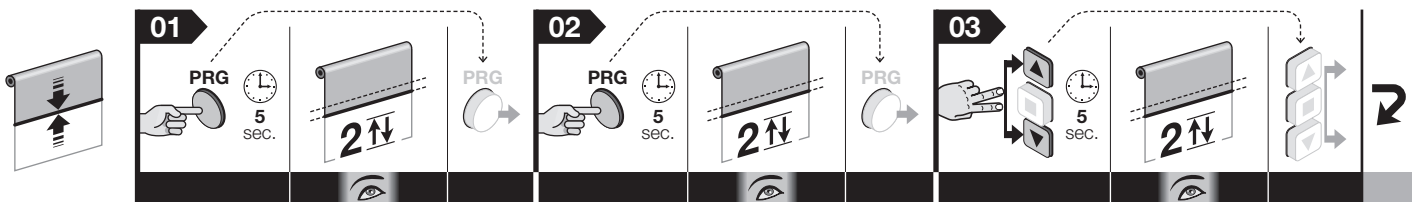
- wenn der Rollladen (oder die Markise) **HOCHFÄHRT**, die Taste ▲ gedrückt halten und warten, bis der Motor 3 Bewegungen ausführt. Die Taste dann wieder loslassen.

- wenn der Rollladen (oder die Markise) **HERUNTERFÄHRT**, die Taste ▲ loslassen und die Taste ▼ gedrückt halten, bis der Motor 3 Bewegungen ausführt. Die Taste dann wieder loslassen.



Anmerkung – Während der Ausführung des Verfahrens ist es jederzeit möglich, die Programmierung durch gleichzeitiges, 4 Sekunden langes Drücken der Tasten ■ und ▼ abzubrechen. Alternativ drücken Sie keine Taste und warten Sie 60 Sekunden, bis der Motor sechs Bewegungen ausführt.

— Prozedur 5.8 — ausführbare nur mit einem Sender der Serie Era P und Era W



5.9 - Speichern eines ZWEITEN (dritten, vierten, usw.) Senders

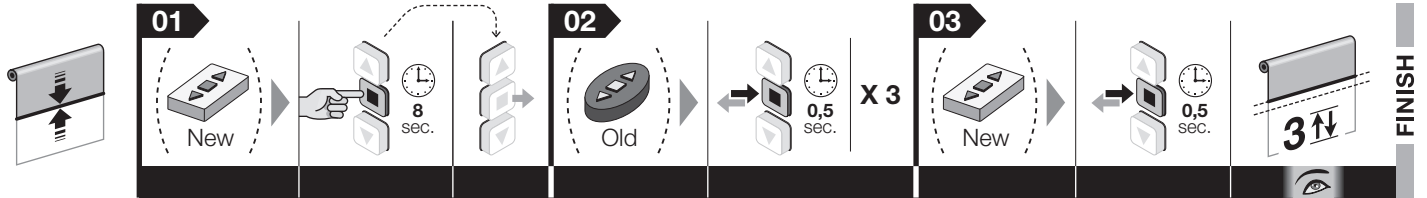
Für die Ausführung der Verfahren muss man einen weiteren, bereits gespeicherten („alten“) Sender zur Verfügung haben.

5.9.1 - Speicherung eines zweiten Senders im „Modus I“

Achtung! – Das Verfahren speichert den neuen Sender im „Modus I“, unabhängig davon, in welchem Modus der alte Sender gespeichert wurde.

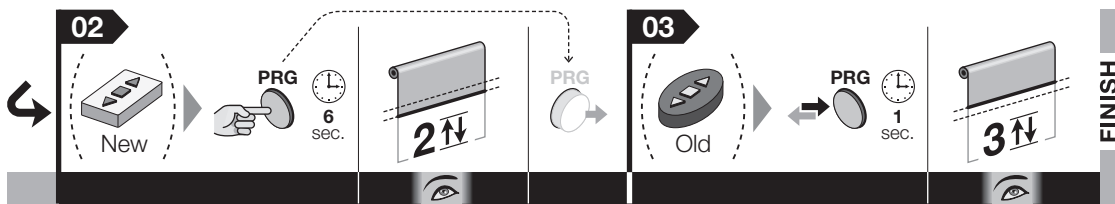
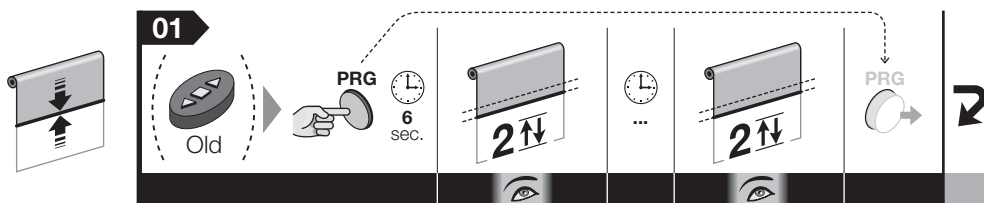
Vor Beginn des Verfahrens den Rollladen (oder die Markise) auf der Hälfte ihres Wegs positionieren.

01. (auf dem neuen Sender) Halten Sie die Taste ■ 8 Sekunden lang gedrückt und lassen Sie sie danach los (auf diese Weise führt der Motor keine Bewegung aus).
02. (auf dem alten Sender) Gib 3 Impulse auf den Taste ■, vorausgesetzt, dass es gespeichert ist.
03. (auf dem neuen Sender) Drücken Sie die Taste ■ 1 Mal, um das Verfahren zu beenden. Nach einem Moment führt der Motor 3 Bewegungen aus, um die Speicherung zu bestätigen. **Achtung!** – Führt der Motor 6 Bewegungen aus, bedeutet das, dass der Speicher voll ist.



Anmerkung – Während der Ausführung des Verfahrens ist es jederzeit möglich, die Speicherung durch gleichzeitiges, 4 Sekunden langes Drücken der Tasten ■ und ▼ abzubrechen. Alternativ drücken Sie keine Taste und warten Sie 60 Sekunden, bis der Motor sechs Bewegungen ausführt.

— Prozedur 5.9.1 — ausführbare nur mit einem Sender der Serie Era P und Era W

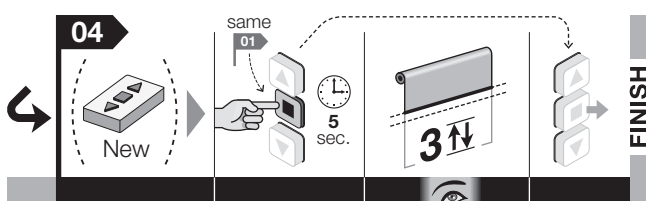
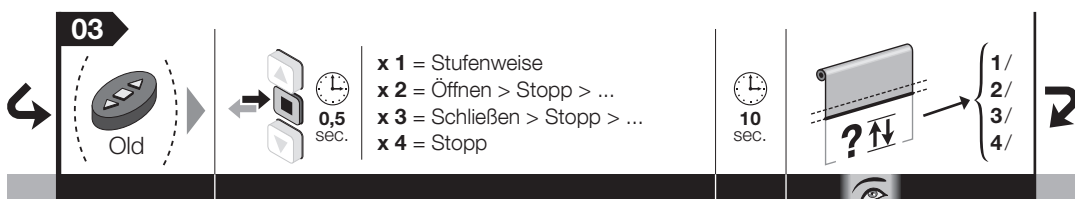
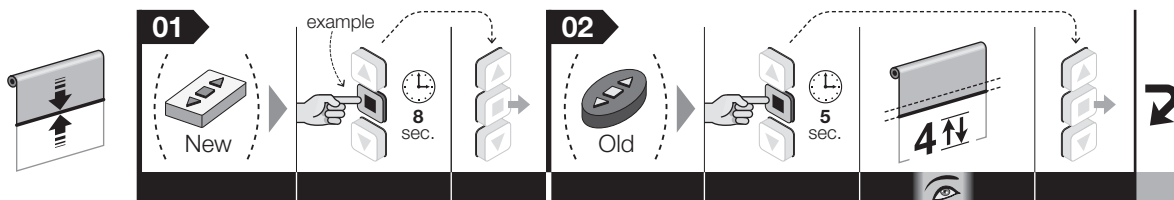


5.9.2 - Speicherung eines zweiten Senders im „Modus II“

Achtung! – Das Verfahren speichert eine Taste des neuen Senders im „Modus II“, unabhängig davon, in welchem Modus die Taste gespeichert wurde, die man auf dem alten Sender drückt.

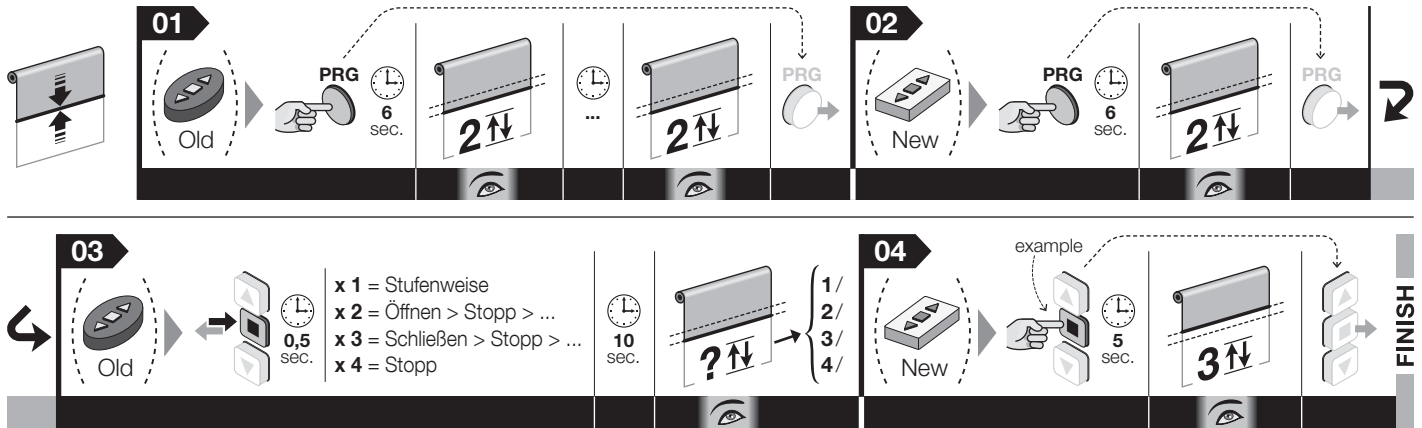
Vor Beginn des Verfahrens den Rollladen (oder die Markise) auf der Hälfte ihres Wegs positionieren.

01. (auf dem neuen Sender) Die Taste drücken und gedrückt halten, die einer der verfügbaren Funktionen zugeordnet werden soll. Die Taste nach 8 Sekunden wieder loslassen (auf diese Weise führt der Motor keine Bewegung aus).
02. (auf dem alten Sender) Halten Sie die Taste ■ gedrückt, und warten Sie, bis der Motor 4 Bewegungen ausführt. Die Taste dann wieder loslassen.
03. (auf dem alten Sender) Drücken Sie die Taste ■ kurz mehrmals hintereinander, je nachdem, welche Steuerung Sie speichern möchten: • **1 x Drücken = Schritttrieb** • **2 x Drücken = Befehl Öffnen > Stopp > Öffnen > Stopp > ...** • **3 x Drücken = Befehl Schließen > Stopp > Schließen > Stopp > ...** • **4 x Drücken = Stopp-Befehl**. Nach etwa 10 Sekunden führt der Motor eine Anzahl an Bewegungen aus, die der Anzahl der mit dem Sender gegebenen Impulse entspricht.
04. (auf dem alten Sender) Halten Sie die Taste gedrückt halten, die der gewählten Funktion zugeordnet werden soll und warten, bis der Motor 3 Bewegungen ausführt. Die Taste dann wieder loslassen. **Achtung!** – Führt der Motor 6 Bewegungen aus, bedeutet das, dass der Speicher voll ist.



Anmerkung – Während der Ausführung des Verfahrens ist es jederzeit möglich, die Speicherung durch gleichzeitiges, 4 Sekunden langes Drücken der Tasten ■ und ▼ abzubrechen. Alternativ drücken Sie keine Taste und warten Sie 60 Sekunden, bis der Motor sechs Bewegungen ausführt.

— Prozedur 5.9.2 — ausführbare nur mit einem Sender der Serie Era P und Era W



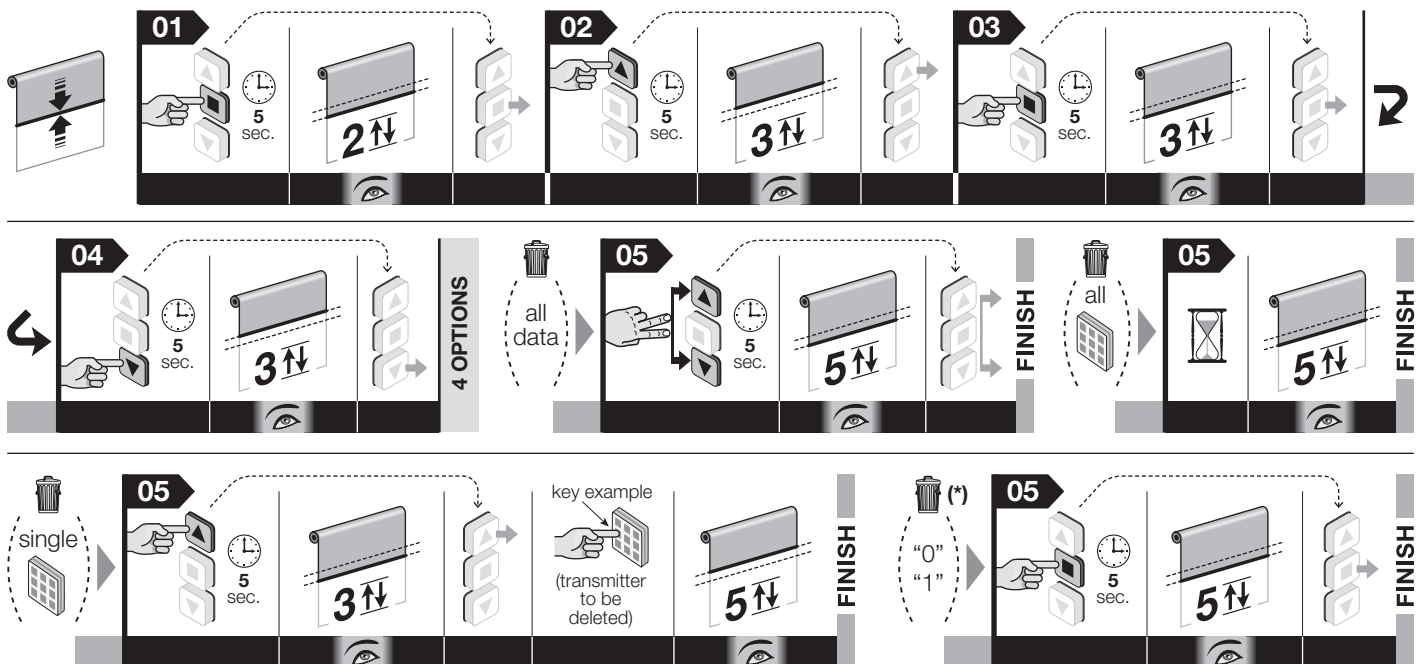
5.10 - Teilweises oder vollständiges Löschen des Speichers

Dieses Verfahren ermöglicht, unter Punkt 05 die Daten auszuwählen, die man löschen möchte.

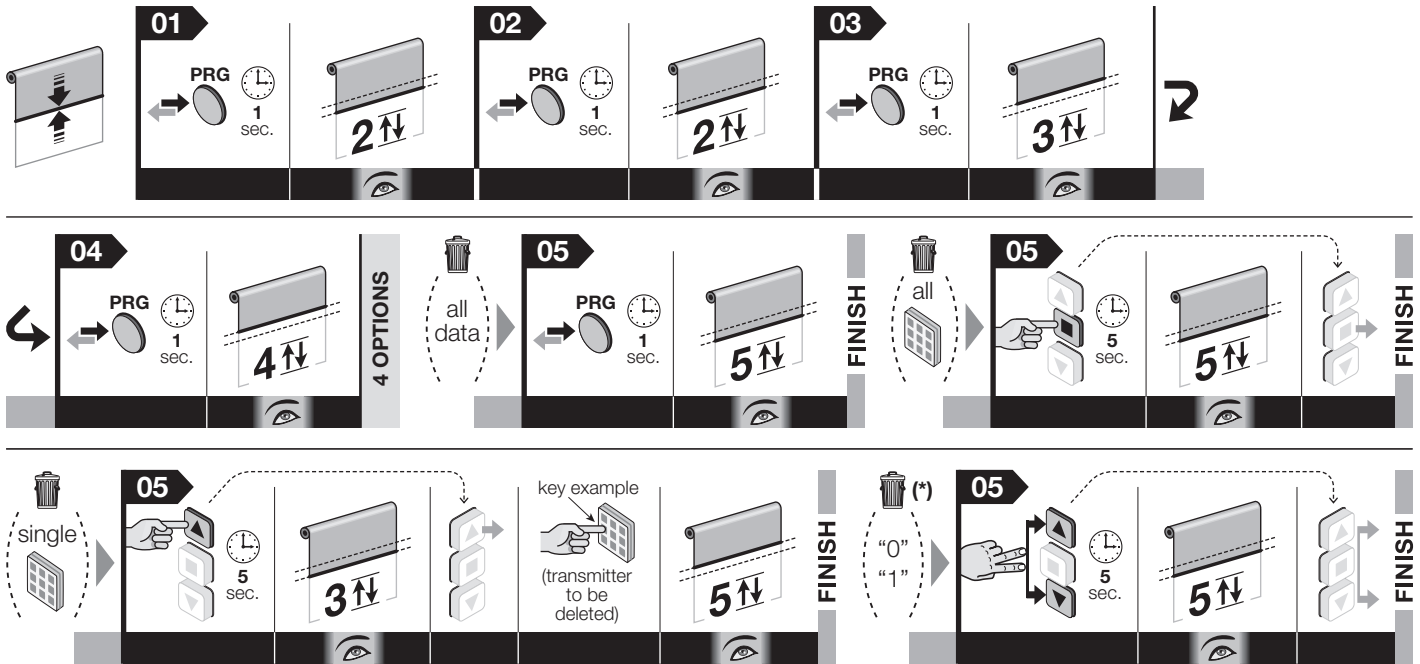
5.10.1 - Ausführung des Verfahrens mit einem im „Modus I“ gespeicherten Sender

Vor Beginn des Verfahrens den Rollladen (oder die Markise) auf der Hälfte ihres Wegs positionieren.

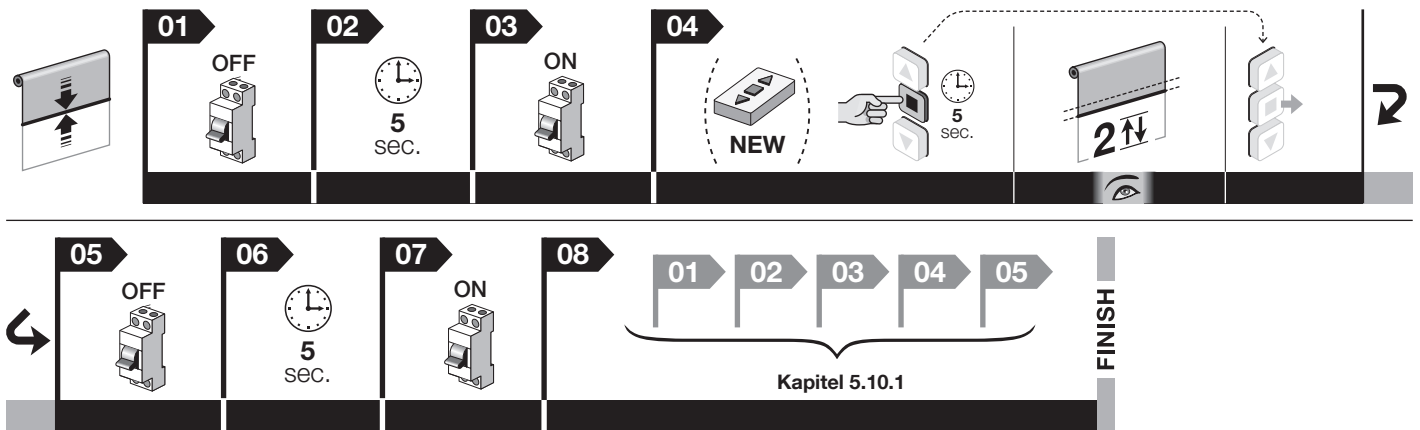
01. Halten Sie die Taste ■ gedrückt, und warten Sie, bis der Motor 2 Bewegungen ausführt. Am Ende lassen Sie die Taste los.
02. Halten Sie die Taste ▲ gedrückt, und warten Sie, bis der Motor 3 Bewegungen ausführt. Am Ende lassen Sie die Taste los.
03. Halten Sie die Taste ■ gedrückt, und warten Sie, bis der Motor 3 Bewegungen ausführt. Am Ende lassen Sie die Taste los.
04. Halten Sie die Taste ▼ gedrückt, und warten Sie, bis der Motor 3 Bewegungen ausführt. Am Ende lassen Sie die Taste los.
05. • **Um den gesamten Speicher zu löschen:** Halten Sie die Tasten ▲ und ▼ gleichzeitig gedrückt, und warten Sie, bis der Motor 5 Bewegungen ausführt. Am Ende lassen Sie die Tasten los.
• **Um alle gespeicherten Sender zu löschen:** Drücken Sie keine Taste, und warten Sie, bis der Motor 5 Bewegungen ausführt.
• **Um einen einzigen gespeicherten Sender zu löschen:** Halten Sie die Taste ▲ gedrückt und warten Sie, bis der Motor 3 Bewegungen ausführt. Die Taste dann wieder loslassen. Abschließend die Taste jenes Senders drücken, der gelöscht werden soll: Der Motor führt 5 Bewegungen aus.
• **Um nur die Parameter zu löschen:** Halten Sie die Taste ■ gedrückt und warten Sie, bis der Motor 5 Bewegungen ausführt. Die Taste dann wieder loslassen.



Anmerkung – Während der Ausführung des Verfahrens ist es jederzeit möglich, die Programmierung durch gleichzeitiges, 4 Sekunden langes Drücken der Tasten ■ und ▼ abzubrechen. Alternativ dazu 60 Sekunden lang warten, ohne eine Taste zu drücken, bis der Motor 6 Bewegungen ausführt.



5.10.2 - Ausführung des Verfahrens mit einem nicht gespeicherten Sender

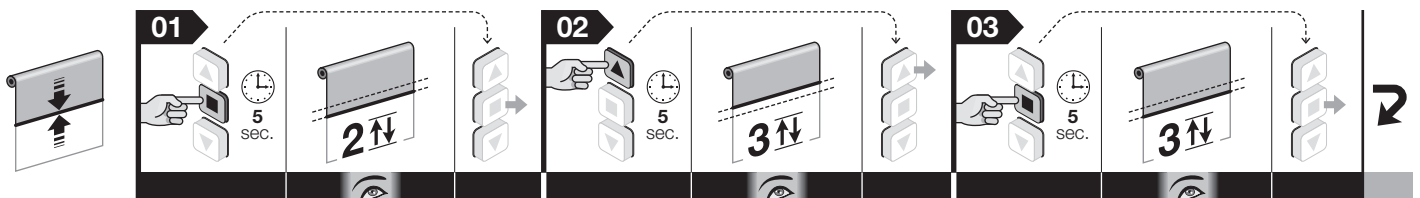


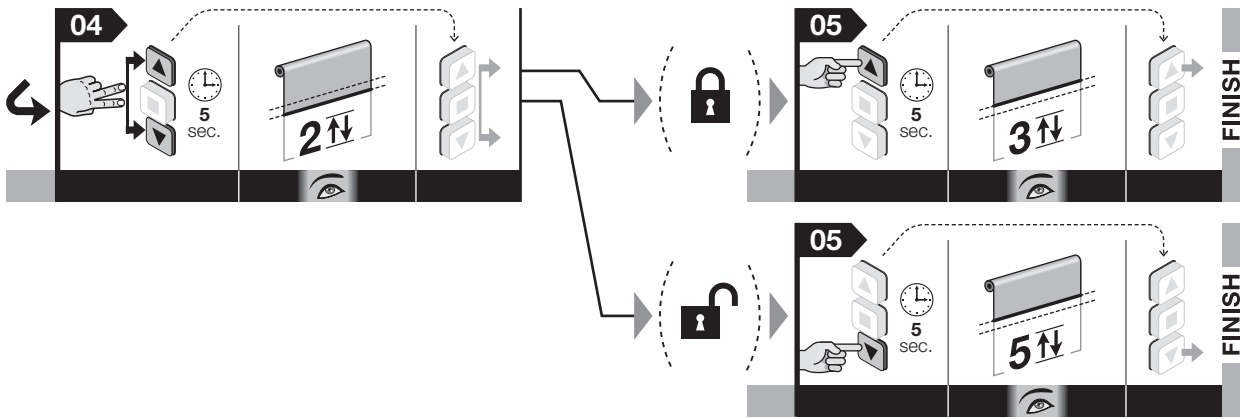
5.11 - Sperre oder Freigabe des Speichers

Dieses Verfahren erlaubt den Speicher des Motors zu blockieren bzw. freizugeben, um eine zufällige Speicherung von anderen nicht für die Anlage vorgesehenen Sender zu vermeiden.

Vor Beginn des Verfahrens den Rollladen (oder die Markise) auf der Hälfte ihres Wegs positionieren.

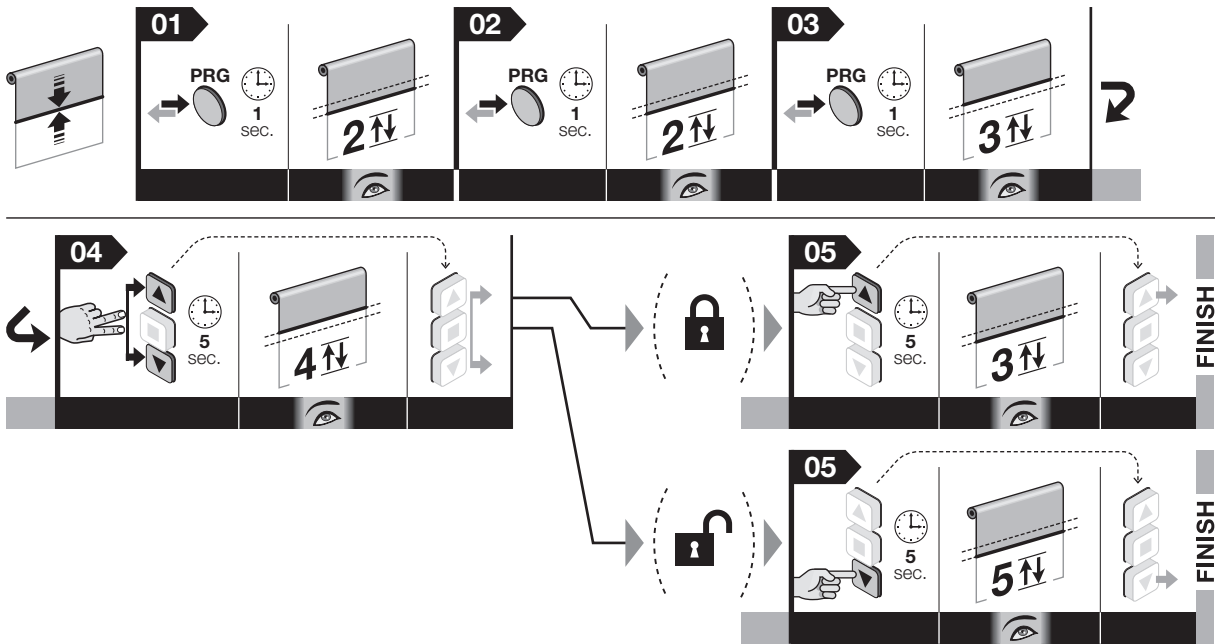
01. Halten Sie die Taste ■ gedrückt und warten Sie, bis der Motor 2 Bewegungen ausführt. Die Taste dann wieder loslassen.
02. Halten Sie die Taste ▲ gedrückt, und warten Sie, bis der Motor 3 Bewegungen ausführt. Die Taste dann wieder loslassen.
03. Halten Sie die Taste ■ gedrückt und warten Sie, bis der Motor 3 Bewegungen ausführt. Die Taste dann wieder loslassen.
04. Halten Sie die Tasten ▲ und ▼ gleichzeitig gedrückt, und warten Sie, bis der Motor 2 Bewegungen ausführt. Am Ende lassen Sie die Tasten los.
05. • **Um den Speicher zu sperren:** Halten Sie die Taste ▲ gedrückt, und warten Sie, bis der Motor 3 Bewegungen ausführt. Die Taste dann wieder loslassen.
• **Um den Speicher freizugeben:** Halten Sie die Taste ▼ gedrückt und warten Sie, bis der Motor 5 Bewegungen ausführt. Die Taste dann wieder loslassen.





Anmerkung – Während der Ausführung des Verfahrens ist es jederzeit möglich, die Programmierung durch gleichzeitiges, 4 Sekunden langes Drücken der Tasten ■ und ▼ abubrechen. Alternativ dazu 60 Sekunden lang warten, ohne eine Taste zu drücken, bis der Motor 6 Bewegungen ausführt.

— Prozedur 5.11 — ausführbare nur mit einem Sender der Serie Era P und Era W



VERFAHREN FÜR OPTIONALES ZUBEHÖR (Siehe Kapitel 6)

5.12 - Speicherung eines über Funk angeschlossenen Klimasensors (Siehe paragraph 6.1.2)

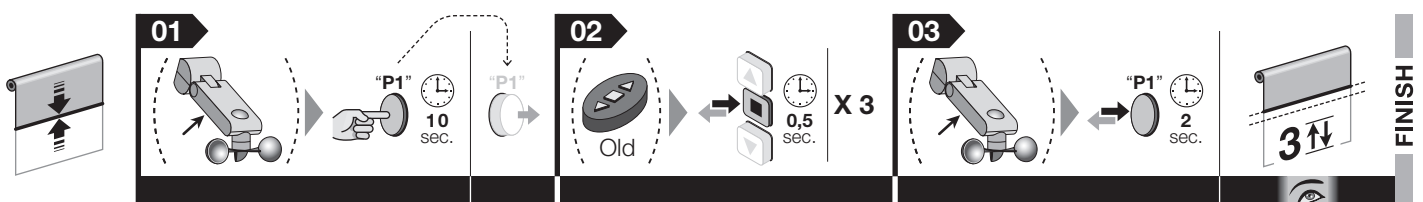
Zur Ausführung des Verfahrens muss ein bereits im „Modus I“ gespeicherter Sender zur Verfügung stehen.

Vor Beginn des Verfahrens den Rollladen (oder die Markise) auf der Hälfte ihres Wegs positionieren.

01. (am Klimasensor) Halten Sie die gelbe Taste 10 Sekunden lang gedrückt und lassen Sie sie danach los (auf diese Weise führt der Motor keine Bewegung aus).

02. (auf dem alten Sender) Drücken Sie die Taste ■ 3 Mal, damit sie gespeichert wird.

03. (am Klimasensor) Halten Sie die gelbe Taste für 2 Sekunden gedrückt: Der Motor führt 3 Bewegungen aus, um die Speicherung zu bestätigen. **Achtung!** – Führt der Motor 6 Bewegungen aus, bedeutet das, dass der Speicher voll ist.

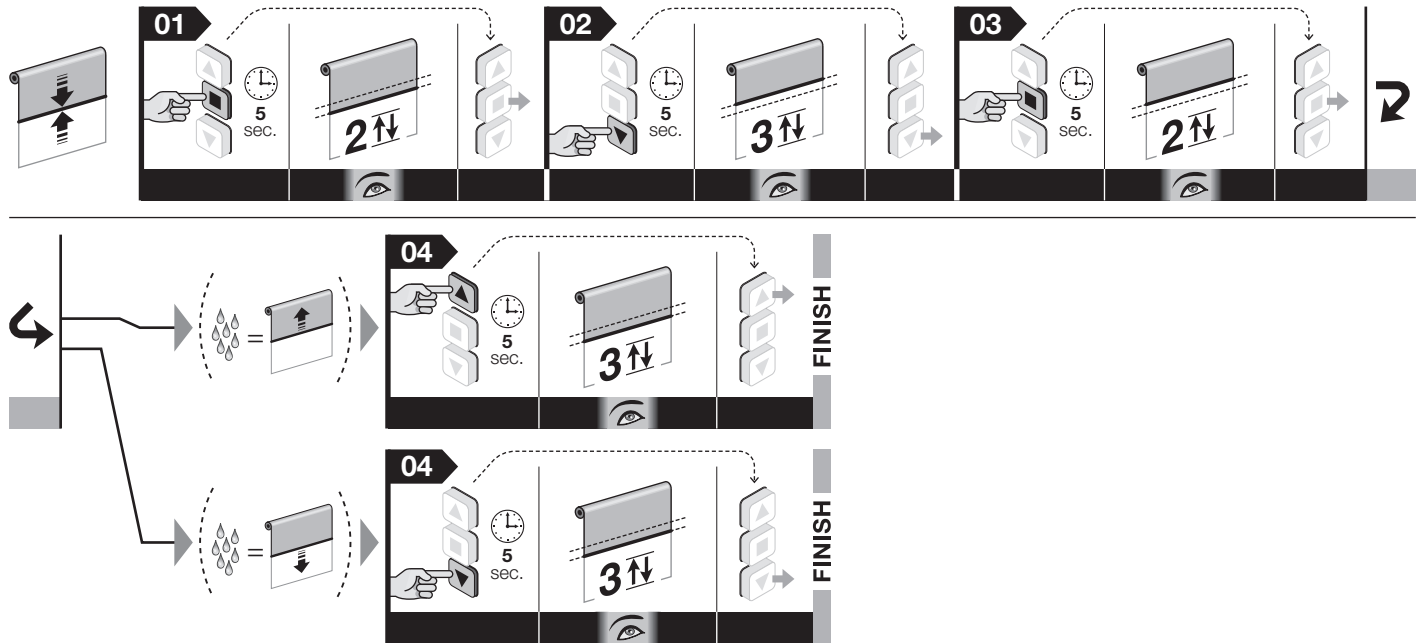


Anmerkung – Während der Ausführung des Verfahrens ist es jederzeit möglich, die Programmierung durch gleichzeitiges, 4 Sekunden langes Drücken der Tasten ■ und ▼ abubrechen. Alternativ drücken Sie keine Taste und warten Sie 60 Sekunden, bis der Motor 6 Bewegungen ausführt.

5.13 - Programmierung- die Bewegung (Aufstieg oder Sinkflug), die der Motor bei Regenbeginn automatisch ausführen muss (Siehe paragraph 6.1.4)

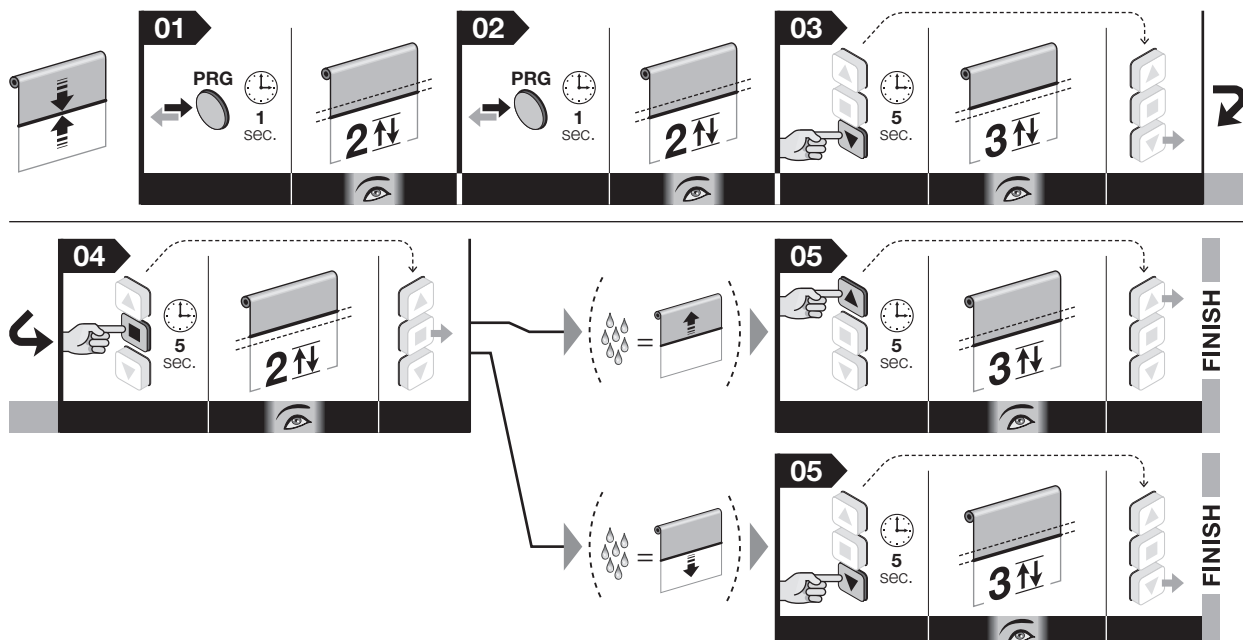
Vor Beginn des Verfahrens den Rollladen (oder die Markise) auf der Hälfte ihres Wegs positionieren.

01. Halten Sie die Taste **■** gedrückt und warten Sie, bis der Motor 2 Bewegungen ausführt. Die Taste dann wieder loslassen.
02. Halten Sie die Taste **▼** gedrückt und warten Sie, bis der Motor 3 Bewegungen ausführt. Die Taste dann wieder loslassen.
03. Halten Sie die Taste **■** gedrückt und warten Sie, bis der Motor 2 Bewegungen ausführt. Die Taste dann wieder loslassen.
04. Programmierung der Bewegung, die der Motor bei Regenbeginn automatisch ausführen muss, unter Auswahl von einer der nachstehenden Optionen:
 - **Zum Programmieren des Anheben der Markise (bzw. des Rollladens):** Die Taste **▲** gedrückt halten und warten, dass der Motor 3 Bewegungen ausführt. Die Taste dann wieder loslassen.
 - **Zum Programmieren des Senken der Markise (bzw. des Rollladens):** Die Taste **▼** gedrückt halten und warten, dass der Motor 3 Bewegungen ausführt. Die Taste dann wieder loslassen.

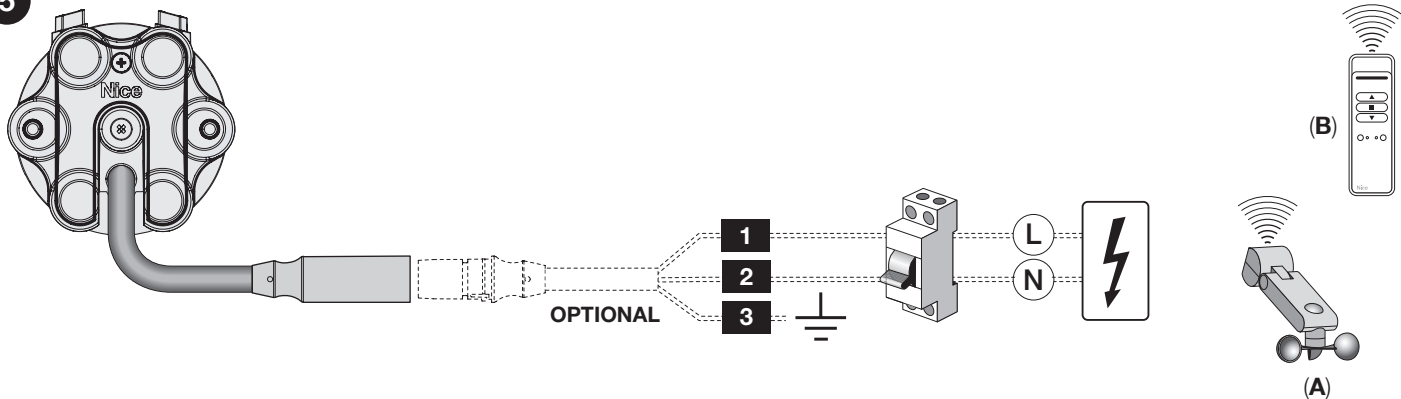


Anmerkung – Während der Ausführung des Verfahrens ist es jederzeit möglich, die Programmierung durch gleichzeitiges, 4 Sekunden langes Drücken der Tasten **■** und **▼** abzubrechen. Alternativ drücken Sie keine Taste und warten Sie 60 Sekunden, bis der Motor 6 Bewegungen ausführt.

— Prozedur 5.13 — ausführbare nur mit einem Sender der Serie Era P und Era W



5



• **KABEL:** 1) Braun; 2) Blau; 3) Gelb-grün.

• **ZUBEHÖRTEILE:** A) Klimasensoren (über Funk); B) Tragbare Sender (über Funk).

6 OPTIONALE ZUBEHÖRTEILE

6.1 - Klimasensoren für Wind, Sonne, Regen

ACHTUNG! – Es dürfen nur Funksensoren verwendet werden. Diese Zubehörteile steuern die Bewegung der Markise (oder des Rollladens) je nach erfassten Witterungsbedingungen.

Hinweis – Die Klimasensoren dürfen nicht als Sicherheitsvorrichtungen betrachtet werden, da sie nicht in der Lage sind, Defekte an der Markise (oder am Rollladen) durch Regeneinfall oder starken Wind zu vermeiden; ein balancer Stromausfall könnte die Automatik der Markise (oder des Rollladens) unmöglich machen. Deshalb müssen diese Sensoren als Bestandteil der Automatisierung betrachtet werden, die dem Schutz der Markise (oder des Rollladens) dienen. Nice entzieht sich jeglicher Haftung bei Materialschäden, die auf nicht von den Sensoren erfasste Witterungsereignisse zurückzuführen sind.

6.1.1 - Definitionen und Konventionen

- **Manuelle Steuerung „Sonne On“** = erlaubt den Empfang der automatischen vom „Sonnensensor“ (falls vorhanden) übertragenen Steuerungen seitens des Motors. Während des Zeitraums, in dem der Empfang freigegeben ist, kann der Benutzer jederzeit manuelle Steuerungen ausführen: Diese überlagern sich mit der automatischen Funktion der Automatisierung.
- **Manuelle Steuerung „Sonne Off“** = schaltet den Empfang der automatischen vom „Sonnensensor“ (falls vorhanden) übertragenen Steuerungen seitens des Motors ab. Während des Zeitraums, in dem der Empfang abgeschaltet ist, funktioniert die Automatisierung nur mit den vom Benutzer gesandten manuellen Steuerungen. Die Sensoren „Wind“ und „Regen“ können nicht abgeschaltet werden, da sie dem Schutz der Automatisierung gegen diese Witterungseinflüsse dienen.
- **Intensität „oberhalb des Grenzwerts“ der Sonne/des Windes** = Bedingung, bei der das Witterungsphänomen hohen Werten entspricht, die über den eingestellten Grenzwerten liegen.
- **Intensität „unterhalb des Grenzwerts“ der Sonne/des Windes** = Bedingung, bei der das Witterungsphänomen niedrigen Werten entspricht, die unter den eingestellten Grenzwerten liegen.
- **„Windschutz“** = Bedingung, bei der das System alle Befehle zum Ausfahren der Markise (oder des Rollladens) aufgrund der Windintensität oberhalb des Grenzwerts verhindert.
- **„Regen“** = Bedingung, bei der das System Regen erfasst, im Vergleich zu der vorherigen Bedingung „Kein Regen“.
- **„Manuelle Steuerung“** = Steuerung des Hochfahrens, Herunterfahrens oder Stopps, die vom Benutzer über einen Sender gesandt werden.

6.1.2 - Speicherung eines über Funk angeschlossenen Klimasensors

So speichern Sie ein Klima-Sensor führen Sie das Verfahren 5.12.

6.1.3 - Verhalten des Motors unter den verschiedenen Witterungsbedingungen

Mit den Zubehörteilen NEMO und VOLO kann die Markise (oder der Rollladen) entsprechend den klimatischen Bedingungen der Gegend automatisiert werden. Für die Regelung der Eingriffsstufen siehe die Gebrauchsanweisungen der Produkte Nemo und Volo.

• Verhalten der Automatisierung, wenn der Sonnensensor vorhanden ist: **Abb. 7**

Wenn die Intensität des Sonnenlichts mindestens 2 Minuten über dem eingestellten Grenzwert (oberhalb Sonnengrenzwert) liegt, führt der Motor von selbst das Herunterfahren durch. Wenn die Intensität des Sonnenlichts kontinuierlich mindestens 15 Minuten unter der Hysteresegrenze (unterhalb Sonnengrenzwert) liegt, führt der Motor von selbst das Hochfahren durch. **Hinweis** – Die Hysteresegrenze wird auf zirka 50% des Sonnengrenzwerts eingestellt.

Momentane Verringerungen der Sonnenintensität, die weniger als 15 Minuten dauern, haben keinen Einfluss auf den Gesamtzyklus. Die manuell vom Benutzer gesandten Befehle summieren sich zu den automatischen Befehlen.

Werkseitig ist die Ansprechschwelle des Sonnensensors auf Stufe 3 (= 15 kLux) eingestellt. Diesen Wert ändern Sie mit Hilfe von Prozedur 5.16.

• Verhalten der Automatisierung, wenn der Regensensor vorhanden ist: **Abb. 8**

Der Regensensor erfasst zwei Zustände: „Kein Regen“ und „Regen“. Wenn der Motor die Meldung „Regen“ erhält, aktiviert er automatisch die Bewegung (Hochfahren oder Herunterfahren), die der Elektroinstallateur für diesen Zustand programmiert hat (*). Der Regensensor schaltet sich selbsttätig aus, sobald er 15 Minuten lang keinen Regen erfasst.

(* - Mit Prozedur 5.13 programmieren Sie die Stellbewegung, die der Motor automatisch ausführen soll, wenn der Regensensor den Zustand „Regen“ meldet.

Der Regenautomatismus wird deaktiviert, nachdem für mindestens 15 Minuten kein Regen mehr erfasst wird. Die manuellen Werte sind auch in diesem Fall immer aktiv und summieren sich zu dem automatisch generierten Befehl. Wenn ein zum vorherigen automatischen Befehl gegensätzlicher manueller Befehl erteilt wird, führt das System den Befehl aus und startet gleichzeitig einen Timer von 15 Minuten, der den programmierten automatischen Befehl nach Ablauf dieser Zeit ausführt, z.B. das Schließen der Markise oder des Rollladens.

Beispiel: 1) Die Markise (oder der Rollladen) ist geöffnet. **2)** Es beginnt zu regnen. **3)** Die Markise (oder der Rollladen) schließt sich. **4)** Der Benutzer erzwingt das Hochfahren nach einigen Sekunden. **5)** Die Markise (oder der Rollladen) öffnet sich wieder. **6)** 15 Minuten nach dem Öffnen wird die Markise (oder der Rollladen) automatisch vom System geschlossen. **7)** Es hört mindestens 15 Minuten auf zu regnen. **8)** Der Benutzer öffnet erneut die Markise (oder den Rollladen). **9)** Die Markise (oder der Rollladen) bleibt geöffnet.

• Verhalten der Automatisierung, wenn der Windsensor vorhanden ist: **Abb. 9**

Wenn die Windintensität über den Grenzwert steigt, aktiviert das System den Windschutz und fährt automatisch die Markise (oder den Rollladen) hoch. Bei eingeschaltetem Schutz werden die manuellen Bedienungen deaktiviert und die Markise (oder der Rollladen) kann nicht heruntergefahren werden. Nach der Sperrzeit werden die manuellen Bedienungen wieder aktiviert und nach 10 Minuten wird die automatische Funktion wieder aufgenommen.

Werkseitig ist die Ansprechschwelle des Windsensors auf Stufe 3 (= Windgeschwindigkeit 15 km/h) eingestellt. Diesen Wert ändern Sie mit Hilfe von Prozedur 5.17.

• Überkreuz-Verhalten der verschiedenen Wetterbedingungen.

Jede Bedingung hat eine Priorität. Die Prioritätenskala der Wetterbedingungen ist folgende: Wind, Regen, Sonne. Wind ist das Phänomen mit der größten Priorität. Ein Phänomen mit höherer Priorität setzt den Zustand des Phänomens mit einer niedrigeren Priorität zurück.

Beispiel: 1) An einem schönen Sonntag fährt die Markise (oder der Rollladen)

wegen der intensiven Lichteinstrahlung herunter. **2)** Wenn Wolken aufziehen und ein Tropfen Regen auf den Sensor fällt, setzt der Motor den Zustand „Sonne“ zurück und führt die bei „Regen“ vorgesehene Bewegung aus. **3)** Wenn die Windgeschwindigkeit ansteigt und den eingestellten Grenzwert übersteigt, deaktiviert der Motor die bei Regen vorgesehene automatische Abfolge und befiehlt das Hochfahren; die Markise (oder der Rollladen) bleibt solange geschlossen, wie Wind vorhanden ist. **4)** Wenn der Wind sich gelegt hat, endet nach 10 Minuten der Windalarm und wenn die Bedingungen „Regen“ noch vorhanden ist, wird sie reaktiviert und die voreingestellte Aktion ausgeführt. Zum Ende der Bedingung „Regen“ wird das Sonnenprogramm wieder aktiviert. Wenn die Lichtintensität den Grenzwert übersteigt, wird die Markise (oder der Rollladen) wieder ausgefahren. Wenn die Lichtintensität unter den Sonnengrenzwert fällt, wird nach 15 Minuten die Aktion Hochfahren befohlen.

• Befehle „Sonne-On“ und „Sonne-Off“

Der Befehl „Sonne-ON“ aktiviert den Automatismus, der Befehl „Sonne-OFF“ schaltet ihn aus. Wenn der Benutzer den Befehl „Sonne-On“ sendet (Automatismus eingeschaltet) und in diesem Moment die Sonne scheint, befiehlt das System das Ausfahren der Markise (oder des Rollladens). Wenn der Automatismus bereits eingeschaltet war, wird das System beim Absenden eines weiteren „Sonne-On“-Befehls zurückgesetzt und die Algorithmen beginnen unmittelbar von vorne. Wenn beim Senden des Befehls „Sonne-On“ die Sonnenlichtintensität kein Ausfahren erlaubt (Sonnengrenzwert nicht überstiegen), erzeugt der Motor einen mit der vorhandenen Bedingung übereinstimmenden Schließbefehl. Falls die Voraussetzungen für eine Aktion nicht vorliegen (zum Beispiel Markise oder Rollladen geschlossen und keine Sonne), reagiert der Motor beim Eingang des „Sonne-On“-Befehls nicht. Beim Senden des Befehls „Sonne-Off“ wird der Automatismus ausgeschaltet.

Beispiel: Die Markise (oder der Rollladen) ist geschlossen; der Befehl „Sonne-On“ wird gesendet; wenn die Sonne scheint, öffnet sich die Markise (oder der Rollladen) sofort, ohne 2 Minuten zu warten.

Durch das Ausschalten des Automatismus wird die automatische Bewegung in Abhängigkeit von den Änderungen der Sonnenlichtintensität verhindert. Der Automatismus für Wind und Regen kann nicht ausgeschaltet werden.

6.1.4 - Programmierung der Richtung, in die die Markise (oder der Rollladen) bei Regen bewegt wird

Bei Regen befiehlt das System automatisch eine Hochfahr-Bewegung (werkseitig eingestellt). Um diese Einstellung zu ändern, führen Sie das Verfahren 5.13.

7 HINWEISE FÜR DEN GEBRAUCH DER AUTOMATISIERUNG

7.1 - Höchster Dauerbetriebszyklus

Im Allgemeinen werden die Motoren der Serie „Era“ für den Einsatz an Wohngebäuden entworfen und folglich für einen unregelmäßigen Einsatz. Sie garantieren eine kontinuierliche Einsatzdauer von maximal 4 Minuten und im Falle der Überhitzung (zum Beispiel bei einem Dauer- oder verlängertem Einsatz) greift automatisch ein „Wärmeschutzschalter“ ein, der die Stromversorgung unterbricht und wieder einschaltet, sobald die Temperatur wieder ihren Normwert erreicht hat.

Was tun, wenn... (Hinweise zur Problemlösung)

- **Wenn der Motor nicht startet, wenn ein Bewegungsbefehl ausgeführt wird oder eine Taste zum Ausführen einer Bewegung gedrückt wird.**
 - a) Prüfen, ob eine Wärmeschutzschalter ausgelöst wurde. In diesem Fall genügt es zur Wiederherstellung des normalen Betriebs zu warten, bis sich der Motor abkühlt.
 - b) Prüfen, ob Netzspannung vorhanden ist und ob diese mit den auf dem Motorkennschild aufgeführten Werten übereinstimmt.
 - c) Prüfen, ob der Motor an den Endschaltern blockiert ist, in beiden Drehrichtungen. In diesem Fall genügt es, die Endschalterpositionen durch Durchführung des in Kapitel 5.5 beschriebenen Verfahrens erneut einzustellen.
 - d) Prüfen, ob das Versorgungskabel unversehrt ist.
- **Wenn der Motor nicht automatisch anhält, wenn der Rollladen (oder die Markise) an einem Endschalter angelangt.**
 - a) Sicherstellen, dass die beiden auf dem Motorkopf angeordneten „Pfeiltasten“ gedrückt sind, also auf einer Ebene mit der Oberfläche des Motors.
 - b) Während der Bewegung sicherstellen, dass die Aufwickelrolle die Endschaltnutmutter mitnimmt (**Abb. 6-h**).
- **Wenn sich bei der ersten Bewegung die zuvor programmierten Endschaltpositionen verschieben.**
 - a) Erneut das Verfahren von Kapitel 5.5 durchführen, um die zwischen den Mechanismen vorliegenden Spielräume auszugleichen.

Wenn nach diesen Kontrollen die Probleme weiterhin bestehen, wenden Sie sich an einen Fachmann oder setzen Sie sich mit dem Nice-Kundendienst in Verbindung.

Entsorgung des Produkts

Wie die Installationsarbeiten muss auch die Abrüstung am Ende der Lebensdauer dieses Produktes von Fachpersonal ausgeführt werden.

Dieses Produkt besteht aus verschiedenen Materialarten: Einige davon können recycelt werden, andere hingegen müssen entsorgt werden. Informieren Sie sich über die Recycling- oder Entsorgungssysteme für dieses Produkt, die von den auf Ihrem Gebiet gültigen Verordnungen vorgesehen sind.

Achtung!– Einige Teile des Produkts können umweltschädliche oder gefährliche Stoffe enthalten, die, wenn sie in der Umwelt entsorgt werden, schädliche Auswirkungen auf die Umwelt selbst und die Gesundheit des Menschen haben können. Wie durch das Symbol seitlich angegeben, ist es verboten, dieses Produkt im Haushaltsmüll zu entsorgen. Halten Sie sich bitte daher an die „Mülltrennung“ für die Entsorgung, die von den geltenden Vorschriften auf Ihrem Gebiet vorgesehen ist, oder geben Sie das Produkt an Ihren Verkäufer zurück, wenn sie ein gleichwertiges neues Produkt kaufen.



Achtung! – Die örtlich geltenden Vorschriften können schwere Strafen vorsehen, wenn dieses Produkt unsachgemäß entsorgt wird.

- Das Verpackungsmaterial des Produkts muss unter Beachtung der örtlichen Vorschriften entsorgt werden.

Technische Eigenschaften

Beachten Sie in jedem Fall die auf dem Typenschild des Motors angegebenen Daten.

Anmerkungen: • Alle angegebenen technischen Eigenschaften beziehen sich auf eine Umgebungstemperatur von 20 °C (± 5 °C). • Nice S.p.a. behält sich das Recht vor, jederzeit bei Bedarf und unter Wahrung derselben Zweckbestimmung und Funktionen Änderungen am Gerät vorzunehmen.

Vereinfachte EU-Konformitätserklärung

Hiermit erklärt, NICE S.p.A., dass der Funkanlagentyp E EASYPLUS M 817 SH, E EASYPLUS M 1517 SH, E EASYPLUS M 3017 SH, der Richtlinie 2014/53/EU entspricht. Der vollständige Text der EU-Konformitätserklärung ist unter der folgenden Internetadresse verfügbar: <https://www.niceforyou.com/de/support>.

Kompletna instrukcja obsługi

Uwaga dotycząca korzystania z instrukcji: – Niektóre rysunki przywołane w instrukcji znajdują się na końcu niniejszego podręcznika.

1 OGÓLNE OSTRZEŻENIA I ZALECENIA DOTYCZĄCE BEZPIECZEŃSTWA

- **Uwaga! – Ważne instrukcje dotyczące bezpieczeństwa: instrukcje należy zachować.**
- **Uwaga! – Przestrzeganie podanych zaleceń ma istotne znaczenie dla bezpieczeństwa osób, dlatego przed rozpoczęciem pracy należy dokładnie zapoznać się z niniejszym podręcznikiem.**

1.1 - Ostrzeżenia dotyczące montażu

- Wszystkie czynności związane z montażem, podłączaniem, programowaniem i konserwacją urządzenia powinny być wykonywane wyłącznie przez wykwalifikowanego i kompetentnego technika, który ma obowiązek przestrzegać przepisów, norm, lokalnych rozporządzeń oraz instrukcji zawartych w niniejszym podręczniku.
- Przed rozpoczęciem montażu należy przeczytać uważnie punkt 3.1 w celu sprawdzenia, czy urządzenie jest przystosowane do zasilania posiadanej przez Państwa rolety (lub markizy). Jeżeli produkt nie jest odpowiedni, NIE należy wykonywać montażu.
- Wszelkie czynności montażowe i konserwację urządzenia należy wykonywać po odłączeniu automatu od zasilania elektrycznego. Dla bezpieczeństwa, przed rozpoczęciem pracy należy zawiesić na urządzeniu wyłączającym tabliczkę z napisem „UWAGA! KONSERWACJA W TOKU”.
- Przed rozpoczęciem montażu odsunąć wszystkie kable elektryczne, które nie będą potrzebne podczas montażu. Ponadto wyłączyć wszystkie mechanizmy, które nie są potrzebne do zautomatyzowanego działania posiadanej przez Państwa rolety (lub markizy).
- Podczas montażu zadbać, aby żadna osoba nie zbliżała się do rolety (lub markizy) w momencie jej przesuwania.
- Wykaz części mechanicznych niezbędnych do podłączenia silnika do rolety (lub markizy) przedstawiony został w katalogu produktów Nice.
- Jeśli urządzenie zostało zamontowane na wysokości poniżej 2,5 m od podłogi lub od innej powierzchni oparcia, konieczne jest zabezpieczenie ruchomych części automatyki, aby utrudnić przypadkowy dostęp do nich. Wykonując zabezpieczenia, należy postępować zgodnie z instrukcją obsługi rolety (lub markizy), co pozwoli zapewnić dostęp do rolety w celu wykonywania czynności konserwacyjnych.
- Podczas montażu markiz należy zagwarantować odległość w linii poziomej co najmniej 40 cm od maksymalnego punktu otwarcia markizy do jakiegokolwiek przedmiotu stałego.
- Delikatnie obchodzić się z urządzeniem podczas jego instalowania (**rys. 1**): chronić przed zgnieceniem, uderzeniem, upadkiem lub kontaktem z jakiegokolwiek rodzaju płynami; nie wkładać ostrych przedmiotów do silnika; nie wierć otworów i nie wkręcać śrub wewnątrz silnika; nie umieszczaj urządzenia w pobliżu źródeł ciepła i nie wystawiaj go na działanie otwartego ognia. Opisane wyżej sytuacje mogą powodować uszkodzenie urządzenia, być przyczyną nieprawidłowego działania lub spowodować zagrożenia. Jeśli jednak doszłoby do którejś z opisanych wyżej sytuacji, natychmiast przerwij montaż i zwróć się do Serwisu Technicznego Nice.
- Nie stosować śrub na rurze nawojowej w miejscu, w którym przechodzi silnik. Mogłyby one spowodować uszkodzenie silnika.
- Nie demontować urządzenia w sposób nieprzewidziany w niniejszej instrukcji obsługi.
- Nie modyfikować żadnej z części urządzenia, jeżeli modyfikacje takie nie zostały przewidziane w niniejszym w podręczniku. Producent nie ponosi odpowiedzialności za szkody wynikające z samowolnych modyfikacji urządzenia.
- Kabel zasilający silnika jest wykonany z PCV i nadaje się do montażu w środowisku wewnętrznym. Jeśli urządzenie jest instalowane w innym środowisku, należy zabezpieczyć na całej długości jego przewód zasilający, umieszczając go w rurze osłonowej, przeznaczonej do zabezpieczania kabli elektrycznych.
- Nie wymieniać kabla zasilającego. W razie uszkodzenia kabla zasilającego należy wyrzucić urządzenie.

1.2 - Ostrzeżenia dotyczące użytkowania

- Urządzenie nie jest przeznaczone do użytku przez osoby (również dzieci), których możliwości fizyczne, czuciowe lub umysłowe są ograniczone. Z urządzenia nie mogą również korzystać osoby bez doświadczenia i stosownej wiedzy.
- Nie pozwalaj dzieciom, aby bawiły się stałymi urządzeniami sterującymi.
- Podczas wykonywania manewru należy nadzorować automatykę i zadbać, aby inne osoby nie zbliżały się do niej aż do czasu zakończenia operacji.
- Nie sterować automatyką, kiedy w jego pobliżu myte są okna, wykonywana jest konserwacja itp. Przed wykonaniem tych czynności należy najpierw odłączyć zasilanie elektryczne.
- Należy pamiętać, aby kontrolować często sprężyny kompensacyjne i zużycie przewodów (jeżeli występują). Nie używać siłownika, jeżeli wymaga on wykonania regulacji lub napraw. W celu naprawienia usterek zwracać się wyłącznie do wyspecjalizowanego personelu technicznego.

2 OPIS PRODUKTU ORAZ JEGO PRZEZNACZENIE

Era Plus to rodzina silników rurowych przeznaczonych do automatyzacji rolet, markiz, osłon przeciwsłonecznych i innych podobnych zastosowań (**rys. 2**). **Każde inne zastosowanie jest zabronione! Producent nie odpowiada za szkody wynikające z niewłaściwego używania urządzenia, niezgodnego z przeznaczeniem określonym w niniejszej instrukcji.**

Urządzenie posiada następujące cechy charakterystyczne:

- zasilanie z sieci elektrycznej (zapoznać się z danymi na tabliczka znamionowa silnika);
- jest instalowany we wnętrzu wału nawojowego; część silnika wystająca z wału (głowica elektroniczna) należy przymocować do sufitu lub do ściany przy użyciu odpowiednich obejm (nie znajdują się w opakowaniu);
- zawiera odbiornik radiowy i centralę sterującą. Centrala sterująca zapewnia sterowanie elektroniczne ruchem i zatrzymanie automatyczne na ograniczniku krańcowym „0” (roleta lub markiza całkowicie zwinięta) i ograniczniku krańcowym „1” (roleta lub markiza całkowicie rozwinięta). Patrz **rys. 4**;
- jest zgodny z wszystkimi urządzeniami elektronicznymi Nice screen (nadajniki i czujniki klimatyczne);
- może być sterowany drogą radiową lub za pomocą kabla, przy użyciu różnych urządzeń dodatkowych, nie załączonych do opakowania (patrz **rys. 5**);
- Programowanie ograniczników krańcowych odbywa się przy użyciu przycisków w formie „strzałki”, znajdujących się na głowicy silnika. Inne funkcje są programowane drogą radiową, za pomocą przenośnego nadajnika (urządzenia nie załączone do opakowania);
- jest zaprojektowany do użytku prywatnego, więc do pracy nieciągłej. W każdym razie, zapewnia czas pracy ciągłej określony na tabliczce danych;
- wyposażone jest w termiczny system zabezpieczający, który w przypadku przegrzania spowodowanego ciągłym użytkowaniem automatyki wykraczającym poza przewidziane ograniczenia, powoduje automatyczne odłączenie zasilania elektrycznego i łączy je ponownie dopiero wtedy, gdy temperatura spadnie do normalnej wartości;
- jest dostępne w różnych wersjach, każda z nich posiada określony moment obrotowy (moc).

3 MONTAŻ SILNIKA I URZĄDZEŃ DODATKOWYCH

3.1 - Kontrole wstępne przez wykonaniem instalacji i ograniczenia w użytkowaniu

- Zaraz po rozpakowaniu urządzenia należy sprawdzić, czy obecne są wszystkie jego elementy.
- Niniejsze urządzenie dostępne jest w różnych wersjach, a każda z nich ma specyficzny moment obrotowy. Każda wersja zaprojektowana została do zasilania rolet (lub markiz) o określonych wymiarach i ciężarze. W związku z tym przed wykonaniem montażu należy upewnić się, że parametry momentu obrotowego, prędkość obrotowa i czas działania urządzenia są zapewniają zautomatyzowane działanie Państwa rolety (lub markizy) (posłużyć się „Przewodnikiem” znajdującym się w katalogu produktów firmy Nice – www.niceforyou.com). **Nie należy instalować urządzenia, jeżeli jego moment obrotowy jest większy niż moment niezbędny do przesunięcia posiadanej przez Państwa rolety (lub markizy).**
- Sprawdzić średnicę rury nawojowej. Rurę tę należy dobrać na podstawie momentu napędowego silnika, zgodnie z poniższymi zaleceniami:
 - dla silników o rozmiarze „M” ($\varnothing = 45$ mm) i momencie obrotowym aż do 35 Nm (włącznie), minimalna średnica wewnętrzna rury nawojowej powinna wynosić 52 mm;
 - dla silników o rozmiarze „M” ($\varnothing = 45$ mm) i momencie obrotowym większym niż 35 Nm, minimalna średnica wewnętrzna rury nawojowej powinna wynosić 60 mm;
 - dla silników o rozmiarze „L” ($\varnothing = 58$ mm), minimalna średnica wewnętrzna rury nawojowej powinna wynosić 70 mm.
- Przed zastosowaniem urządzeń automatyzujących pracę markizy, należy sprawdzić, czy przed markizą znajduje się dość miejsca na całkowite rozwinięcie markizy.
- W przypadku montażu na wolnym powietrzu, należy zapewnić odpowiednie zabezpieczenie silnika przed czynnikami atmosferycznymi.

Dodatkowe ograniczenia w stosowaniu urządzenia przedstawione zostały w rozdziałach 1 i 2 oraz w „Parametrach technicznych”.

3.2 - Montaż i podłączenie silnika rurowego

Uwaga! – Przed wykonaniem jakiegokolwiek czynności należy uważnie zapoznać się z zaleceniami przedstawionymi w punktach 1.1 i 3.1. Nieprawidłowy montaż silnika może być przyczyną poważnego uszkodzenia ciała.

W celu wykonania montażu i podłączenia silnika należy posłużyć się **rys. 6**. Ponadto należy zapoznać się z katalogiem produktów firmy Nice lub stroną www.niceforyou.com, w celu doboru adaptera (**rys. 6-a**), zabieraka (**rys. 6-b**) oraz obejm silnika (**rys. 6-f**).

3.3 - Montaż urządzeń dodatkowych


Po zainstalowaniu silnika należy zamontować także urządzenia dodatkowe, jeżeli takowe są przewidziane. W celu ustalenia, które urządzenia są kompatybilne z silnikiem i doboru stosownych modeli, należy posłużyć się katalogiem produktów firmy Nice, znajdującym się również na stronie www.niceforyou.com. W celu uzyskania dodatkowych informacji na temat funkcjonowania urządzeń dodatkowych i zaprogramowania żądanych opcji, patrz rozdział 6. Na **rys. 6** przedstawione są typy kompatybilnych urządzeń dodatkowych i ich podłączenie do silnika (wszystkie te urządzenia są akcesoriami opcjonalnymi i nie znajdują się w zestawie).

4 PODŁĄCZENIA ELEKTRYCZNE PIERWSZE URUCHOMIENIE

Podłączenia elektryczne należy wykonywać dopiero po zamontowaniu silnika i przewidzianych urządzeń dodatkowych.

Kabel elektryczny silnika składa się z następujących przewodów wewnętrznych (rys. 5):

Kabel	Kolor	Połączenie
1	Brązowy	Faza zasilania
2	Niebieski	Zero zasilania
3	Żółto-zielony	Uziemienie



4.1 - Podłączenie silnika do sieci elektrycznej

Wykorzystaj przewody 4, 5, 6 (rys. 5) do podłączenia silnika do sieci elektrycznej, stosując się do następujących zaleceń:

- należy skrupulatnie przestrzegać połączeń wskazanych w niniejszej instrukcji;
- nieprawidłowe podłączenie może spowodować uszkodzenia lub sytuacje zagrożenia.

4.2 - Montaż urządzeń zabezpieczających w sieci zasilania elektrycznego

Zgodnie z zasadami instalacji elektrycznej, w sieci zasilającej silnik należy zainstalować odłącznik zabezpieczenie przeciwzwarciowe oraz odłącznik od sieci elektrycznej (te dwa urządzenia nie są dołączone do zestawu). **Uwaga! – Odległość otwarcia styków w urządzeniu odłączającym powinna być na tyle duża, aby umożliwić całkowite odłączenie zasilania w warunkach określonych przez III kategorię przepięciową.**

Odłącznik musi się znajdować w widocznym miejscu w obrębie automatyki, a jeżeli nie jest widoczny, ze względów bezpieczeństwa należy przewidzieć system blokujący ewentualne przypadkowe ponowne lub nieupoważnione podłączenie zasilania.

4.3 - Podłączenie urządzeń dodatkowych do silnika

Urządzenia, które można podłączyć drogą radiową (nadajniki przenośne i niektóre modele czujników klimatycznych): skonfigurować te urządzenia dla silnika podczas fazy programowania, odwołując się do procedur przedstawionych w niniejszej instrukcji oraz w instrukcjach poszczególnych urządzeń.

5 PROGRAMOWANIE I REGULACJE

5.1 - Nadajnik, który należy wykorzystać do procedury programowania

- **Procedury programowania mogą być wykonywane wyłącznie przy użyciu nadajnika Nice, wyposażonego w przynajmniej przyciski ▲, ■, ▼.**
- Procedury programowania należy wykonywać wyłącznie przy użyciu nadajnika skonfigurowanego w „Trybie I” (punkt 5.7 lub 5.9.1).
- Jeżeli nadajnik wykorzystywany do programowania steruje kilkoma zespołami automatyki, podczas wykonywania procedury – przed uruchomieniem polecenia – należy zaznaczyć „zespół”, do którego należy programowany silownik.

5.2 - Pozycje, w których roleta (lub markiza) zatrzymuje się automatycznie

System elektroniczny kontrolujący w każdej chwili ruch rolety (lub markizy), jest w stanie samodzielnie zatrzymać roletę (lub markizę), gdy osiągnie ona określoną, zaprogramowaną przez instalatora pozycję. Możliwe jest zaprogramowanie następujących pozycji (rys. 4):

- pozycja „0” = górna krańcówka: roleta (lub markiza) całkowicie zwinięta;
- pozycja „1” = dolna krańcówka: roleta (lub markiza) całkowicie rozwinięta.

Gdy ograniczniki krańcowe nie są jeszcze zaprogramowane, ruch rolety (lub markizy) może się odbywać wyłącznie w trybie „manualnym”, czyli poprzez wciśnięcie i przytrzymanie przycisku przez żądany czas wykonywania manewru; ruch ten zostaje zatrzymany z chwilą zwolnienia przycisku przez użytkownika. Natomiast, po zaprogramowaniu ograniczników krańcowych **wystarczy zwykle naciśnięcie żądanego przycisku** w celu uruchomienia rolety (lub markizy), a ruch zakończy się automatycznie po osiągnięciu przez roletę (lub markizę) przewidzianej pozycji.

5.3 - Ogólne zalecenia

- Regulację ograniczników krańcowych należy wykonywać po zainstalowaniu silnika w roletcie (lub markizie) i podłączeniu go do zasilania.
- Jeśli w instalacjach zastosowano więcej niż jeden silnik i/lub odbiornik, przed rozpoczęciem programowania należy odłączyć od zasilania elektrycznego silniki i odbiorniki, które nie mają być programowane.
- Należy ściśle przestrzegać ograniczeń czasowych podanych w poszczególnych procedurach: od momentu zwolnienia przycisku do wciśnięcia kolejnego przycisku przewidzianego w procedurze nie może upłynąć więcej niż 60 sekund. W przeciwnym wypadku, po upływie tego czasu silnik wykona 6 manewrów informujących o anulowaniu wykonywanej procedury.
- Podczas programowania silnik wykonuje określoną liczbę krótkich manewrów, stanowiących „odpowiedź” na polecenie wydane przez instalatora. Należy **policzyć liczbę ruchów** bez zwracania uwagi na kierunek, w którym są wykonywane.
- Po każdorazowym doprowadzeniu zasilania do silnika, wykona on **2 ruchy** w celu zasygnalizowania, że znajduje się w jednym (lub kilku) spośród następujących warunków:

- pusta pamięć radiowa (brak zaprogramowanych nadajników);
- jeden lub oba przyciski „strzałkowe” nieopuszczone (albo jeden lub oba wyłączniki krańcowe niezaprogramowane);
- kierunek obrotu silnika niezaprogramowany (w tym przypadku silnik porusza się wyłącznie w trybie „manualnym”, w limitach wyłączników krańcowych, jeśli zostały zaprogramowane);
- silnik w warunkach „początkowych”, tj. z ustawieniami fabrycznymi lub dokonano całkowitego skasowania pamięci przy użyciu procedury 5.10).

5.4 - Przegląd nadajników

5.4.1 - Nadajniki kompatybilne

W celu zapoznania się z urządzeniami sterującymi firmy Nice kompatybilnymi z odbiornikiem radiowym wbudowanym w silnik, należy zaznajomić się z katalogiem produktów firmy Nice lub ze stroną www.niceforyou.com.

5.4.2 - Hierarchia konfiguracji nadajników

Zasadniczo nadajnik może zostać skonfigurowany jako PIERWSZY lub DRUGI nadajnik (lub trzeci, czwarty, itp.).

A - Pierwszy nadajnik

Nadajnik może zostać skonfigurowany jako pierwszy nadajnik tylko wtedy, gdy do silnika nie został jeszcze wpisany żaden inny nadajnik. W celu wykonania tej konfiguracji należy przeprowadzić procedurę 5.7 (powoduje ona skonfigurowanie nadajnika w „Trybie I”).

B - Drugi (lub trzeci, czwarty itp.) nadajnik

Przenośny nadajnik (lub czujnik klimatyczny radiowy) może zostać skonfigurowany jako drugi (lub trzeci, czwarty itp.) nadajnik tylko wtedy, jeżeli do silnika został już wpisany pierwszy nadajnik. W celu wykonania tej konfiguracji należy przeprowadzić jedną z procedur przedstawionych w punkcie 5.9.

5.4.3 - Dwa sposoby wykonania konfiguracji przycisków na nadajniku

Konfigurację przycisków na nadajniku można przeprowadzić na dwa różne sposoby, określone jako: „Tryb I” i „Tryb II”.

- **„TRYB I”** – Tryb ten powoduje automatyczne przypisanie wszystkich poleceń dostępnych w silniku do poszczególnych, znajdujących się na nadajniku przycisków, uniemożliwiając instalatorowi modyfikację wzajemnej konfiguracji poleceń i przycisków. Po zakończeniu tej procedury każdy przycisk będzie przypisany do określonego polecenia, zgodnie z poniższym schematem:

- przycisk ▲ (lub przycisk **1**): zostanie przypisany do polecenia **Podnoszenie**
- przycisk ■ (lub przycisk **2**): zostanie przypisany do polecenia **Stop**
- przycisk ▼ (lub przycisk **3**): zostanie przypisany do polecenia **Opuszczanie** (jeżeli na nadajniku znajduje się czwarty przycisk.....)
- przycisk **4**: zostanie przypisany do polecenia **Stop**

Wskazówka – Jeżeli na przyciskach Państwa nadajnika nie znajdują się żadne symbole ani liczby, do ich identyfikacji należy posłużyć się **rys. 3**.

- **„TRYB II”** – Tryb ten umożliwia ręczne przypisanie dowolnego z poleceń dostępnych w silniku do dowolnego z przycisków nadajnika, co daje instalatorowi możliwość wyboru polecenia i przycisku. Po zakończeniu tej procedury, w celu skonfigurowania kolejnego przycisku z innym poleceniem, należy powtórzyć od początku całą procedurę.

Uwaga! – Dla każdego automatu istnieje lista poleceń, jakie można skonfigurować w „Trybie II”. W przypadku silnika będącego przedmiotem niniejszego podręcznika lista dostępnych poleceń przedstawiona została w procedurze 5.9.2.

5.4.4 - Liczba możliwych do wczytania nadajników

Istnieje możliwość skonfigurowania 30 nadajników (w tym ewentualnych czujników klimatycznych radiowych), jeżeli wszystkie zostaną skonfigurowane w „Trybie I”, lub 30 pojedynczych poleceń (przycisków), jeżeli zostaną skonfigurowane w całości w „Trybie II”. Oba tryby mogą być wykorzystywane łącznie, do maksymalnej liczby 30 skonfigurowanych jednostek.

PROCEDURY → → →

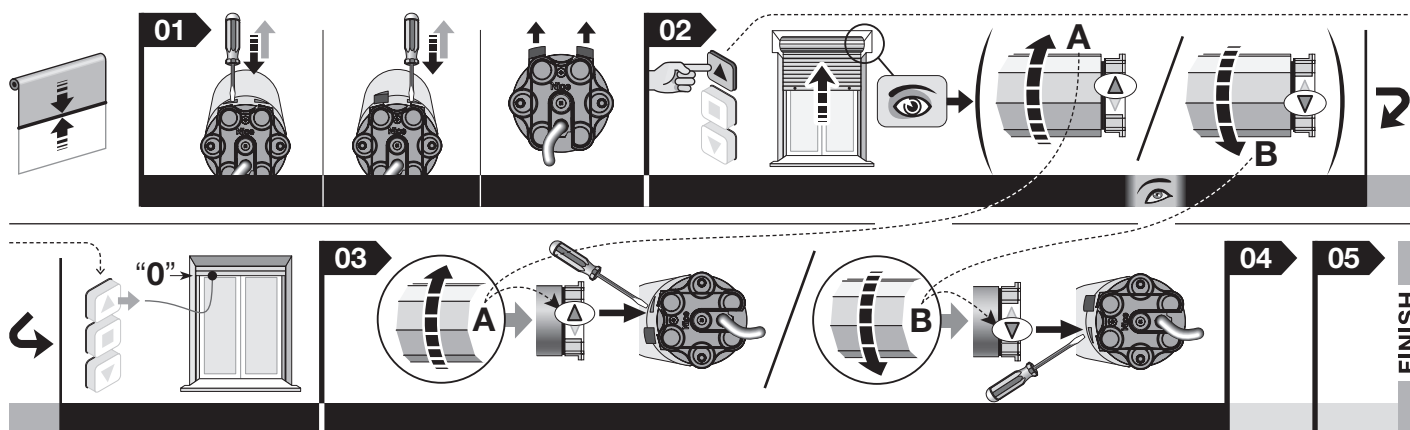
5.5 - Programowanie obu krańcówek

Podczas manewrów opuszczania i podnoszenia silnik automatycznie zatrzymuje roletę (lub markizę) w momencie, kiedy osiągnie ona położenie krańcowe (**rys. 4**): położenie „0” = roleta (lub markiza) całkowicie zwinięta; położenie „1” = roleta (lub markiza) całkowicie rozwinięta. W celu zaprogramowania tych krańcówek należy wykonać następujące czynności.

Ostrzeżenie:

- Dwa przyciski oznaczone strzałkami, znajdujące się na głowicy silnika, umożliwiają zaprogramowanie krańcówki. W momencie opuszczania fabryki przez silnik przyciski te są wciśnięte, zatem położenia krańcowe zaprogramowane są na ustalone z góry wartości. W celu wyregulowania tych wartości zgodnie ze szczegółową charakterystyką posiadaną przez Państwa rolety (lub markizy), należy wykonać przedstawioną poniżej procedurę.
- W 2. punkcie procedury pierwsza programowana wartość może zostać wybrana dowolnie, na podstawie osobistych wymagań.

01. Upewnić się, że oba przyciski oznaczone strzałkami umieszczone na głowicy silnika są zwolnione, czyli wystają całkowicie ponad powierzchnię silnika. Jeżeli przyciski ustawione są równo z jego powierzchnią (czyli są wciśnięte), zwolnić je, dociskając do oporu każdy z przycisków za pomocą śrubokrętu.
02. Wykorzystać ścienny pulpit sterujący do ustawienia rolety (lub markizy) na wysokości wybranej dla danej krańcówki (w przykładzie przedstawiona została górna położenie krańcowe „0”). **WAŻNE!** – podczas manewru **zaobserwować, w którym kierunku obraca się rura nawojowa, a następnie odnaleźć na głowicy przycisk, którego strzałka zwrócona jest w tym samym kierunku, w którym obraca się rura**. Następnie zatrzymać manewr. **Wskazówka:** W celu ewentualnej regulacji wartości krańcowej, wykorzystać dwa przyciski pulpitu ściennego.
03. Na koniec wczytać wartość, wciskając do oporu (za pomocą śrubokrętu) zidentyfikowany wcześniej przycisk strzałki na głowicy silnika: przycisk ten **powinien zostać zablokowany w położeniu wciśniętym**.
04. W celu wyregulowania drugiej krańcówki, wykorzystać ścienny pulpit sterujący do ustawienia rolety (lub markizy) na wysokości wybranej dla tego położenia.
05. Na koniec wczytać wartość, wciskając do oporu (za pomocą śrubokrętu) drugi, niewykorzystany wcześniej przycisk strzałki na głowicy silnika: przycisk ten **powinien zostać zablokowany w położeniu wciśniętym**.



5.6 - Zmiana tylko jednej z dwóch wartości wczytanych krańcówek

Aby zmienić już wczytaną krańcówkę (bez zmiany drugiego położenia), należy wykonać następujące czynności:

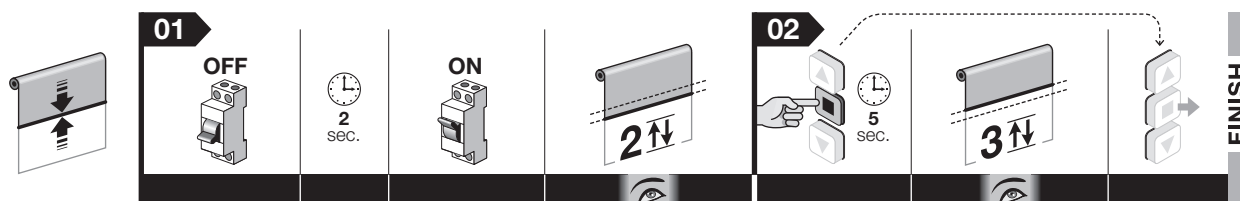
01. Za pomocą ściennego pulpitu ustawić roletę (lub markizę) w taki sposób, aby przesunęła się kilka centymetrów w kierunku zmienianego położenia krańcowego: **podczas manewru zaobserwować, w którym kierunku obraca się rura nawojowa, a następnie odnaleźć na głowicy przycisk, którego strzałka zwrócona jest w tym samym kierunku, w którym obraca się rura** i zatrzymać wykonywanie manewru.
02. (na głowicy silnika) Z zatrzymaną roletą (lub markizą), przy użyciu wkrętaka nacisnąć przycisk „strzałkowy” (tyle co odnaleziony). **Przycisk musi pozostać w podniesionej pozycji**.
03. Za pomocą ściennego pulpitu sterującego zakończyć przerwany w punkcie 01 manewr, przesuując roletę (lub markizę) na nową wysokość położenia krańcowego. **Wskazówka:** W celu ewentualnej regulacji wartości krańcowej, wykorzystać dwa przyciski pulpitu ściennego.
04. (na głowicy silnika) Kiedy roleta (lub markiza) zatrzyma się w położeniu krańcowym, wczytać nową wartość, wciskając do oporu (za pomocą śrubokrętu) zidentyfikowany wcześniej przycisk strzałki na głowicy silnika: **przycisk ten powinien zostać zablokowany w położeniu opuszczonym**.

5.7 - Konfiguracja PIERWSZEGO nadajnika

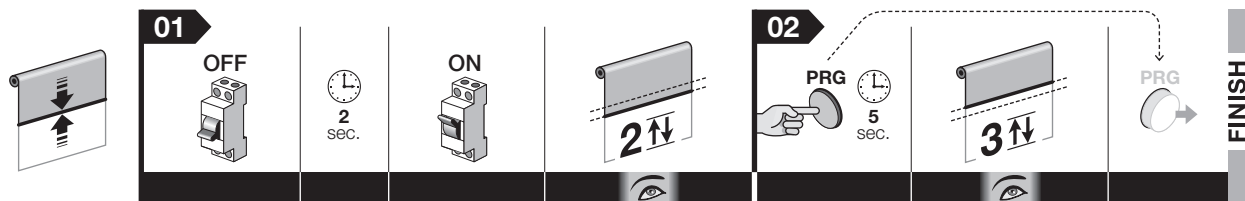
Ostrzeżenie – Za każdym razem, kiedy silnik zostaje zasilony, jeżeli w jego pamięci nie występuje przynajmniej jeden nadajnik oraz nie są ustalone wysokości krańcówek, wykonywane są dwa manewry.

Przed rozpoczęciem procedury należy umieścić roletę (lub markizę) w połowie jej skoku.

01. Odłączyć zasilanie elektryczne w silniku, odczekać 2 sekundy i ponownie załączyć zasilanie: silnik wykonuje 2 manewry.
02. Przytrzymać wciśnięty przycisk ■ i zaczekać, aż silnik wykona 3 manewry. Następnie zwolnić przycisk.



Uwaga – Po wczytaniu, kierunek Podnoszenia i Opuszczania rolety (lub markizy) nie jest jeszcze przypisany do odpowiednich przycisków ▲ i ▼ nadajnika.



5.8 - Przypisywanie kierunku podnoszenia i opuszczania rolety (lub markizy) do odpowiednich przycisków ▲ i ▼ na urządzeniu sterującym

Ta procedura może być wykonana wyłącznie nadajnikiem uprzednio wczytanym w „Trybie I”.

Przed rozpoczęciem procedury należy umieścić roletę (lub markizę) w połowie jej skoku.

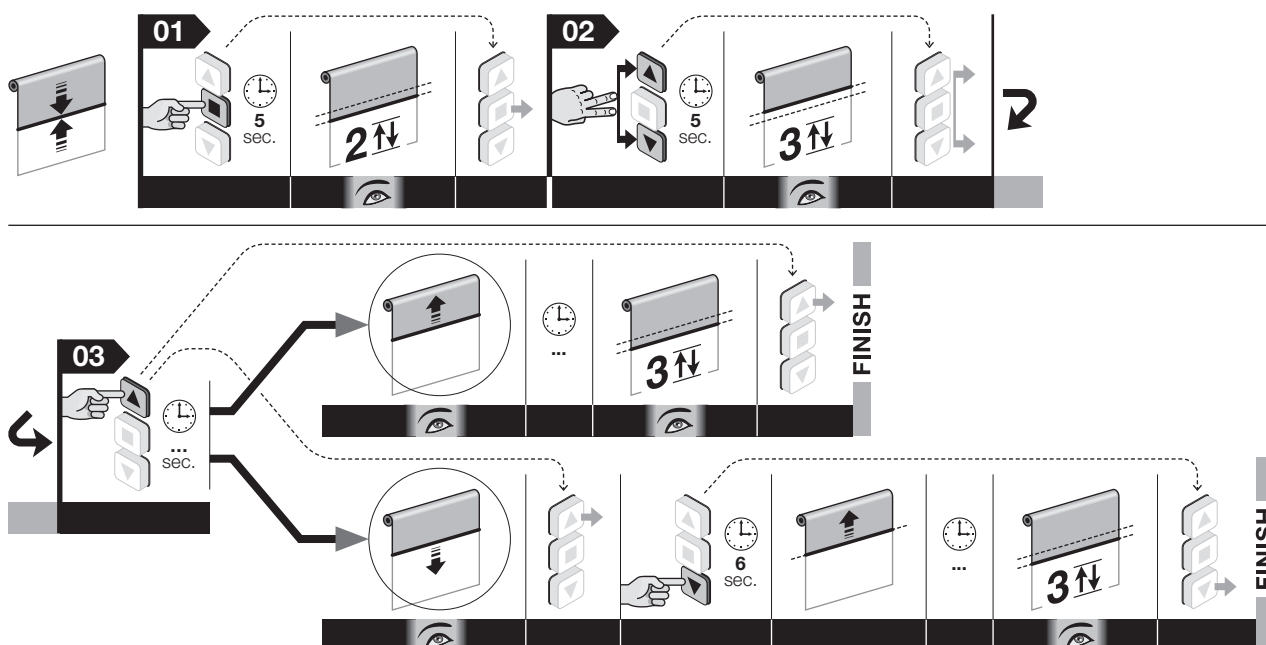
01. Przytrzymać wciśnięty przycisk ■ i zaczekać, aż silnik wykona 2 manewry. Następnie zwolnić przycisk.

02. Przytrzymać równocześnie przyciski ▲ i ▼ i zacząć, aż silnik wykona 3 manewry. Następnie zwolnić przyciski.

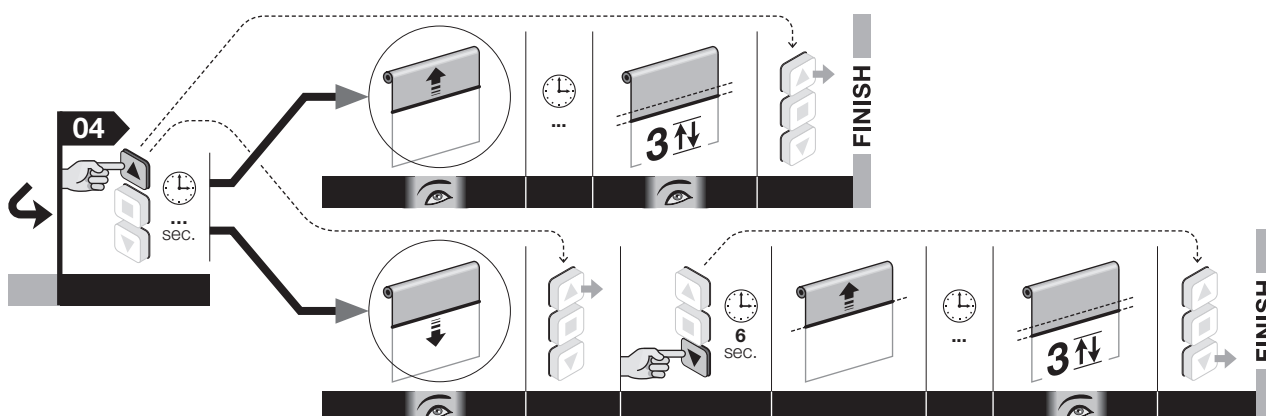
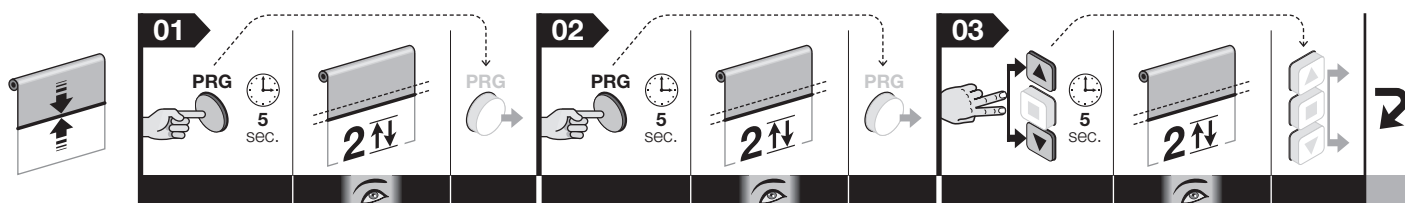
03. Przytrzymać wciśnięty przycisk ▲ i...

• jeżeli roleta (lub markiza) rozpoczyna ruch w kierunku **PODNOSZENIA**, przytrzymać wciśnięty przycisk ▲ i zacząć aż silnik wykona 3 manewry. Następnie zwolnić przycisk.

• jeżeli roleta (lub markiza) rozpoczyna ruch w kierunku **OPUSZCZANIA**, zwolnić przycisk ▲ i przytrzymać wciśnięty przycisk ▼, czekając, aż silnik wykona 3 manewry. Następnie zwolnić przycisk.



Uwaga – Podczas wykonywania procedury możliwe jest anulowanie programowania w dowolnym momencie poprzez jednoczesne wciśnięcie na 4 sekundy przycisków ■ i ▼. Ewentualnie można nie wcisnąć żadnego przycisku i odczekać 60 sekund, aż silnik wykona 6 manewrów.



5.9 - Konfiguracja DRUGIEGO (trzeciego, czwartego itp.) nadajnika

W celu wykonania tych procedur, konieczne jest dysponowanie drugim, już skonfigurowanym, („starym”) nadajnikiem.

5.9.1 - Wczytywanie w „Trybie I” drugiego nadajnika

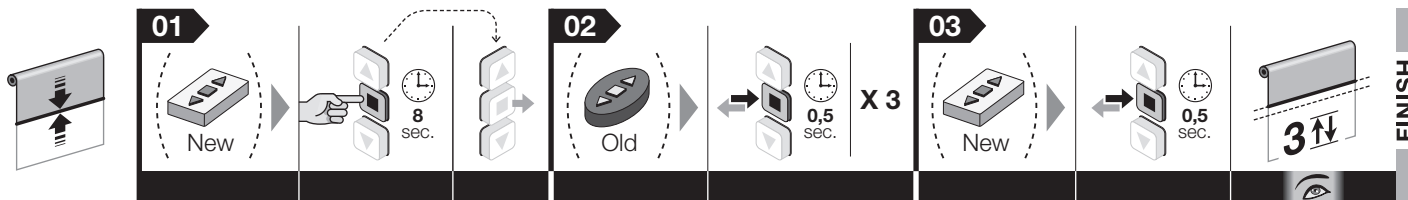
Uwaga! – Procedura powoduje konfigurację nowego nadajnika w „Trybie I”, niezależnie od trybu, w którym został skonfigurowany stary nadajnik.

Przed rozpoczęciem procedury należy umieścić roletę (lub markizę) w połowie jej skoku.

01. (na nowym nadajniku) Przytrzymać przez 8 sekund przycisk **■**, a następnie zwolnić go (w tym przypadku silnik nie wykona żadnego manewru).

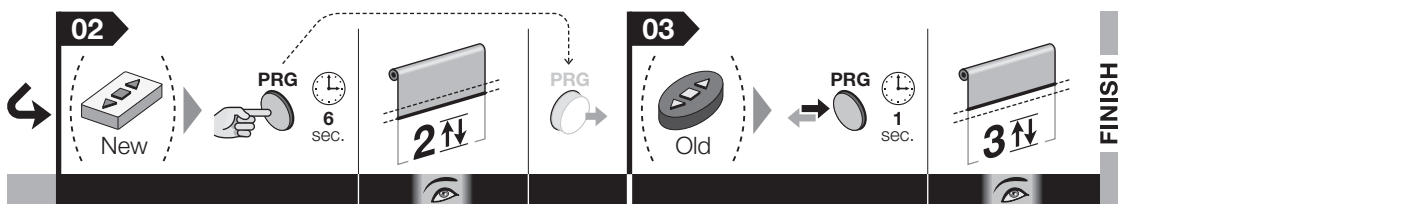
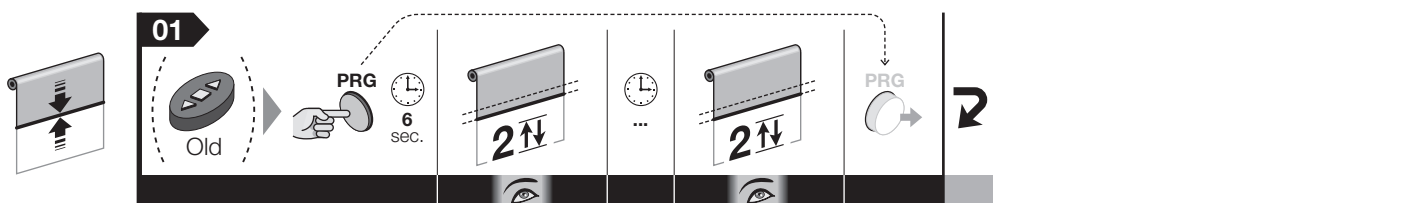
02. (na starym nadajniku) Daj 3 impulsy na przycisk **■**; przycisk **■** powinny być przechowywane.

03. (na nowym nadajniku) Wcisnąć 1 raz przycisk **■**. Po chwili silnik wykonuje 3 manewry w celu potwierdzenia konfiguracji. **Uwaga!** – Jeżeli silnik wykona 6 manewrów, oznacza to, że jego pamięć jest zapełniona.



Uwaga – Podczas wykonywania procedury możliwe jest anulowanie programowania w dowolnym momencie poprzez jednoczesne wcisnięcie na 4 sekundy przycisków **■** i **▲**. Ewentualnie można nie wciskać żadnego przycisku i odczekać 60 sekund, aż silnik wykona 6 manewrów.

— Procedura 5.9.1 — wykonywalny tylko przez nadajnikiem z serii Era P i Era W



5.9.2 - Wczytywanie w „Trybie II” drugiego nadajnika

Uwaga! – Procedura powoduje konfigurację jednego z przycisków nowego nadajnika w „Trybie II”, niezależnie od trybu, w którym został skonfigurowany przycisk wciskany na starym nadajniku.

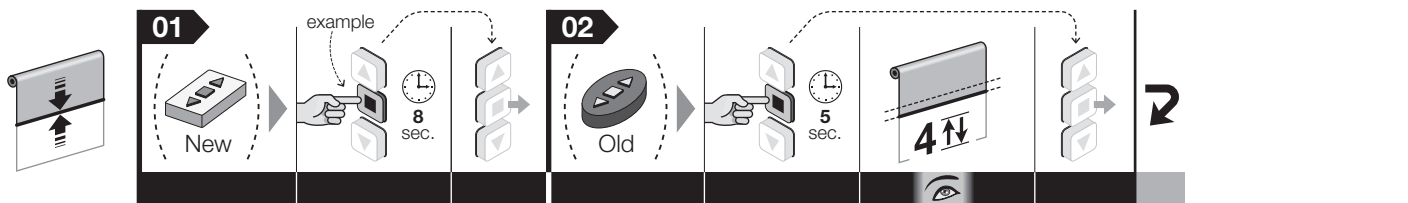
Przed rozpoczęciem procedury należy umieścić roletę (lub markizę) w połowie jej skoku.

01. (na nowym nadajniku) Wcisnąć i przytrzymać wciśnięty przycisk do przypisania do jednej z dostępnych funkcji. Zwolnić przycisk po 8 sekundach (w tym przypadku silnik nie wykonuje żadnego manewru).

02. (na starym nadajniku) Przytrzymać przycisk **■** i zaczekać, aż silnik wykona 4 manewry. Następnie zwolnić przycisk.

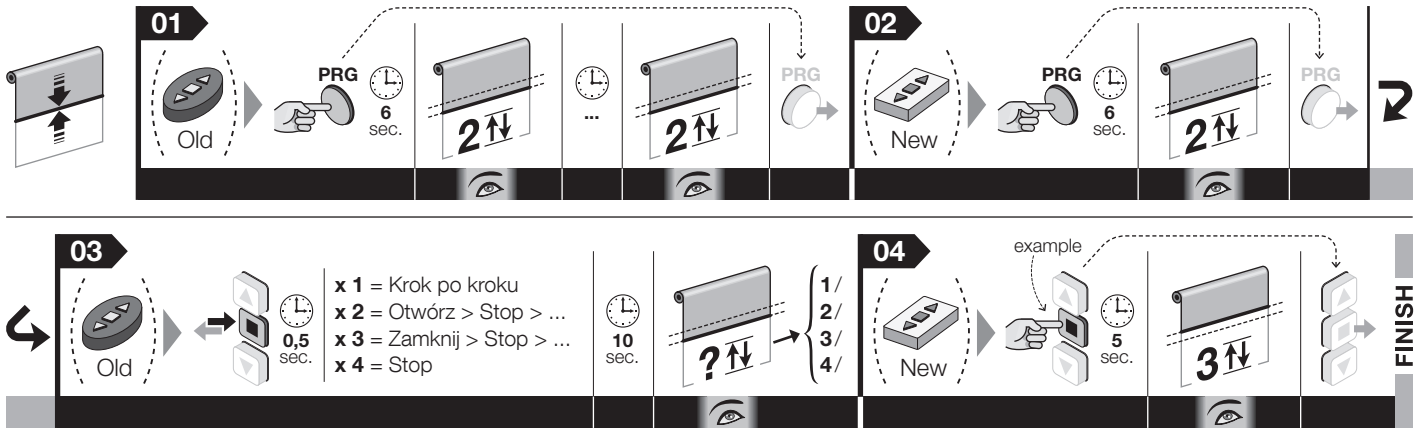
03. (na starym nadajniku) Wcisnąć na chwilę kilka razy przycisk **■**, w zależności od polecenia, które ma zostać skonfigurowane: • **1 impuls = polecenie „Krok po Kroku”** • **2 impulsy = polecenie „Otwórz” > „Stop” > „Otwórz” > „Stop” > ...** • **3 impulsy = polecenie „Zamknij” > „Stop” > „Zamknij” > „Stop” > ...** • **4 impulsy = polecenie Stop**. Po około 10 sekundach silnik wykona taką liczbę manewrów, jaka była liczba impulsów danych za pomocą nadajnika.

04. (na nowym nadajniku) przytrzymać wciśnięty przycisk do przypisania do funkcji i zaczekać, aż silnik wykona 3 manewry. Następnie zwolnić przycisk. **Uwaga!** – Jeżeli silnik wykona 6 manewrów, oznacza to, że jego pamięć jest zapełniona.



Uwaga – Podczas wykonywania procedury możliwe jest anulowanie programowania w dowolnym momencie poprzez jednoczesne wciśnięcie na 4 sekundy przycisków ■ i ▲. Ewentualnie można nie wcisnąć żadnego przycisku i odczekać 60 sekund, aż silnik wykona 6 manewrów.

— Procedura 5.9.2 — wykonywalny tylko przez nadajnikiem z serii Era P i Era W



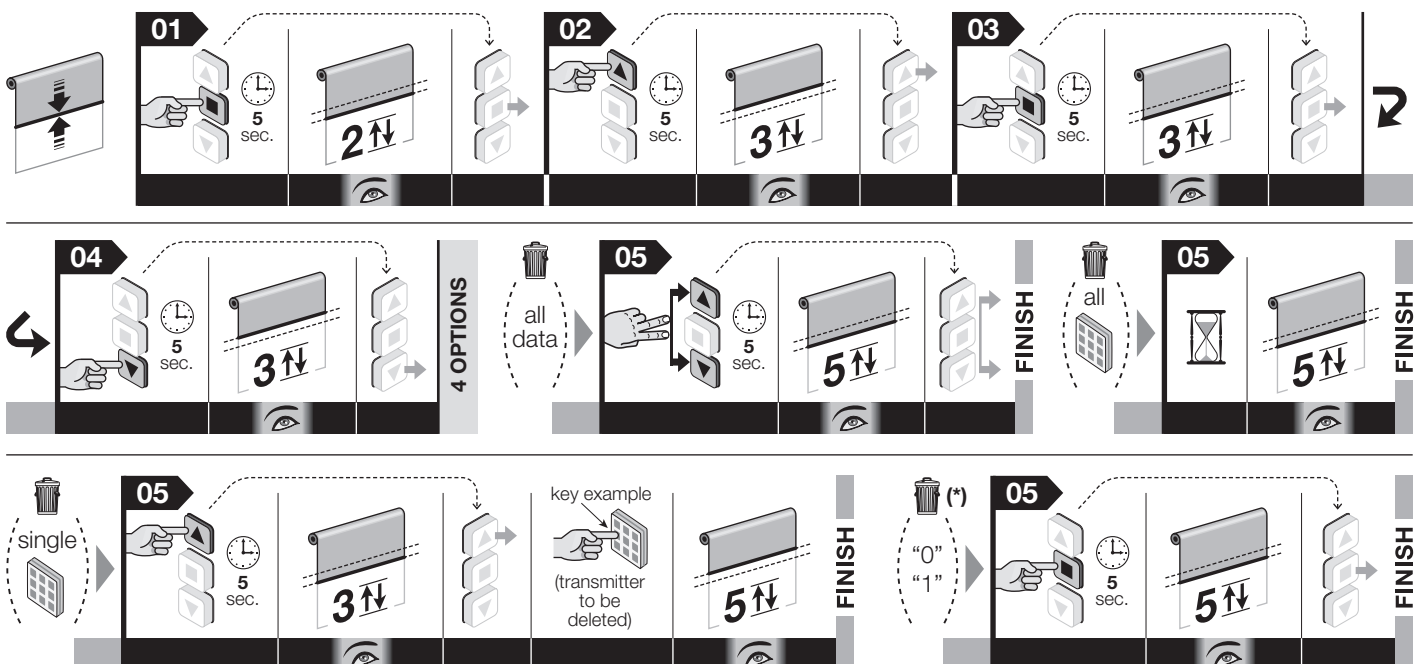
5.10 - Całkowite lub częściowe kasowanie pamięci

Procedura ta umożliwi wybranie w punkcie 05 danych, które mają zostać skasowane.

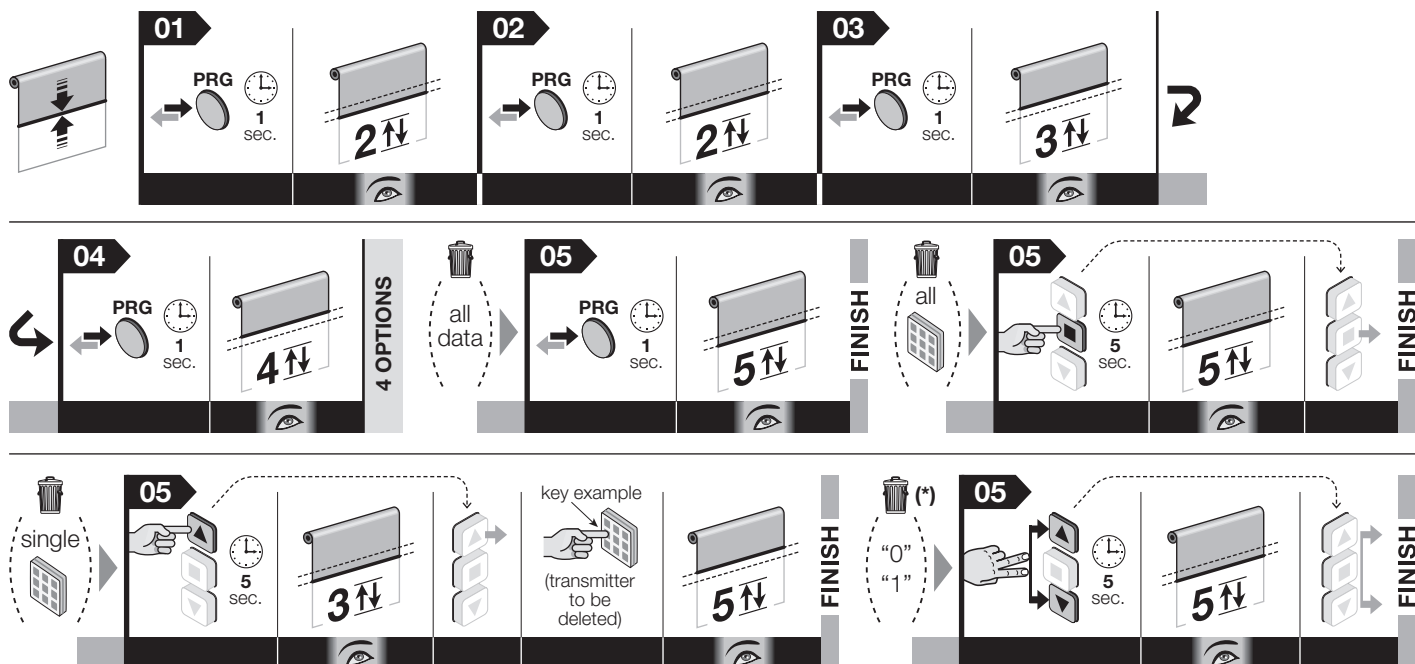
5.10.1 - Procedura wykonywana za pomocą nadajnika skonfigurowanego w „Trybie I”

Przed rozpoczęciem procedury należy umieścić roletę (lub markizę) w połowie jej skoku.

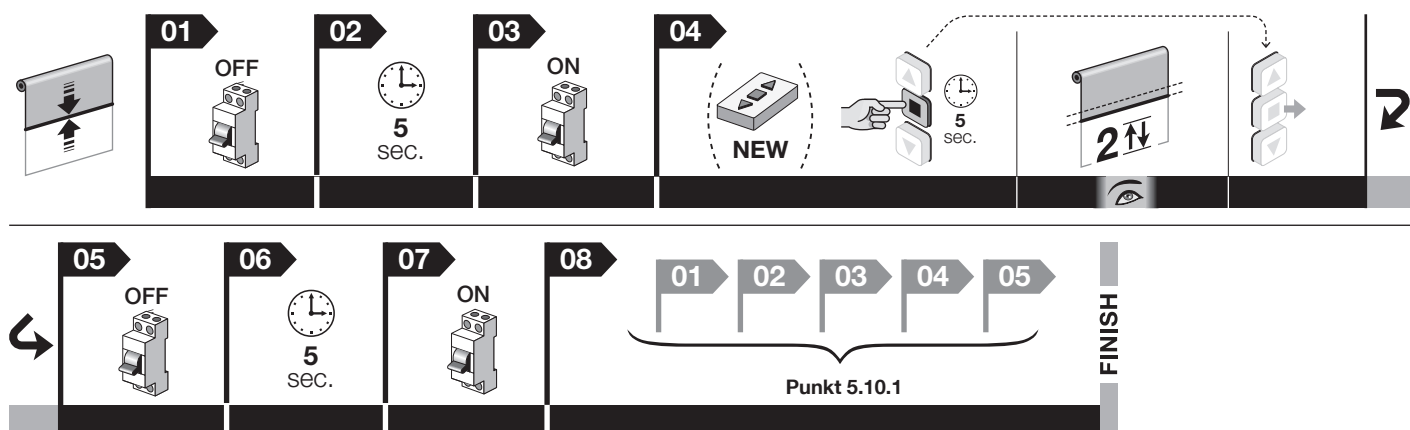
01. Przytrzymać przycisk ■ i zaczekać, aż silnik wykona 2 manewry. Następnie zwolnić przycisk.
02. Przytrzymać przycisk ▲ i zaczekać, aż silnik wykona 3 manewry. Następnie zwolnić przycisk.
03. Przytrzymać przycisk ■ i zaczekać, aż silnik wykona 3 manewry. Następnie zwolnić przycisk.
04. Przytrzymać przycisk ▼ i zaczekać, aż silnik wykona 3 manewry. Następnie zwolnić przycisk.
05. • **Aby skasować całą pamięć:** przytrzymać równocześnie przyciski s i t i zaczekać, aż silnik wykona 5 manewrów. Następnie zwolnić przyciski.
- **Aby wykasować wszystkie skonfigurowane nadajniki:** nie wcisnąć żadnego przycisku i zaczekać, aż silnik wykona 5 manewrów.
- **Aby wykasować jeden skonfigurowany nadajnik:** przytrzymać wciśnięty przycisk ▲ i zaczekać, aż silnik wykona 3 manewry. Następnie zwolnić przycisk. Następnie należy nacisnąć przycisk nadajnika, który chce się wykasować: silnik wykona 5 posuwów.
- **Aby skasować tylko parametry:** Przytrzymać wciśnięty przycisk ■ i zaczekać, aż silnik wykona 5 manewrów. Następnie zwolnić przycisk.



Wskazówka – Podczas wykonywania procedury możliwe jest anulowanie programowania w dowolnym momencie poprzez jednoczesne wciśnięcie na 4 sekundy przycisków ■ i ▼. Ewentualnie można nie wcisnąć żadnego przycisku i odczekać 60 sekund, aż silnik wykona 6 manewrów.



5.10.2 - Procedura wykonywana przy użyciu niewczytanego nadajnika

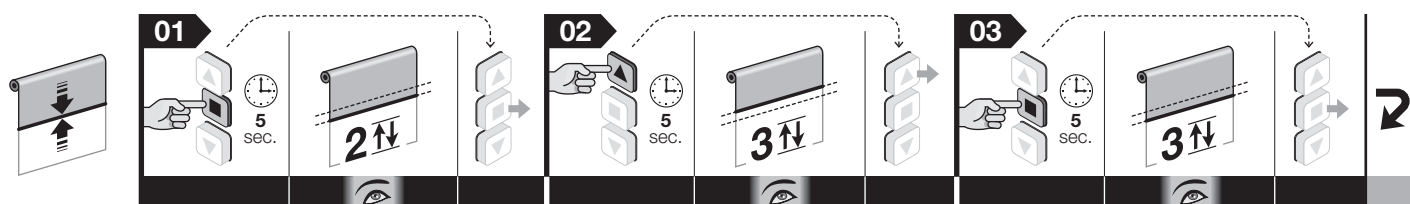


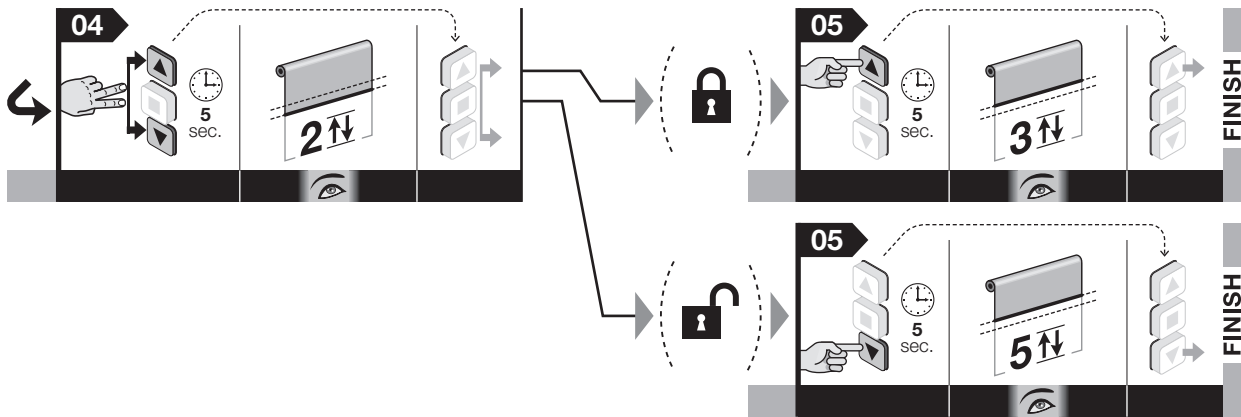
5.11 - Blokowanie i odblokowywanie pamięci

Procedura ta umożliwia zablokowanie i odblokowanie pamięci siłownika w celu uniemożliwienia wykonania przypadkowego wczytania innych nadajników występujących w instalacji.

Przed rozpoczęciem procedury należy umieścić roletę (lub markizę) w połowie jej skoku.

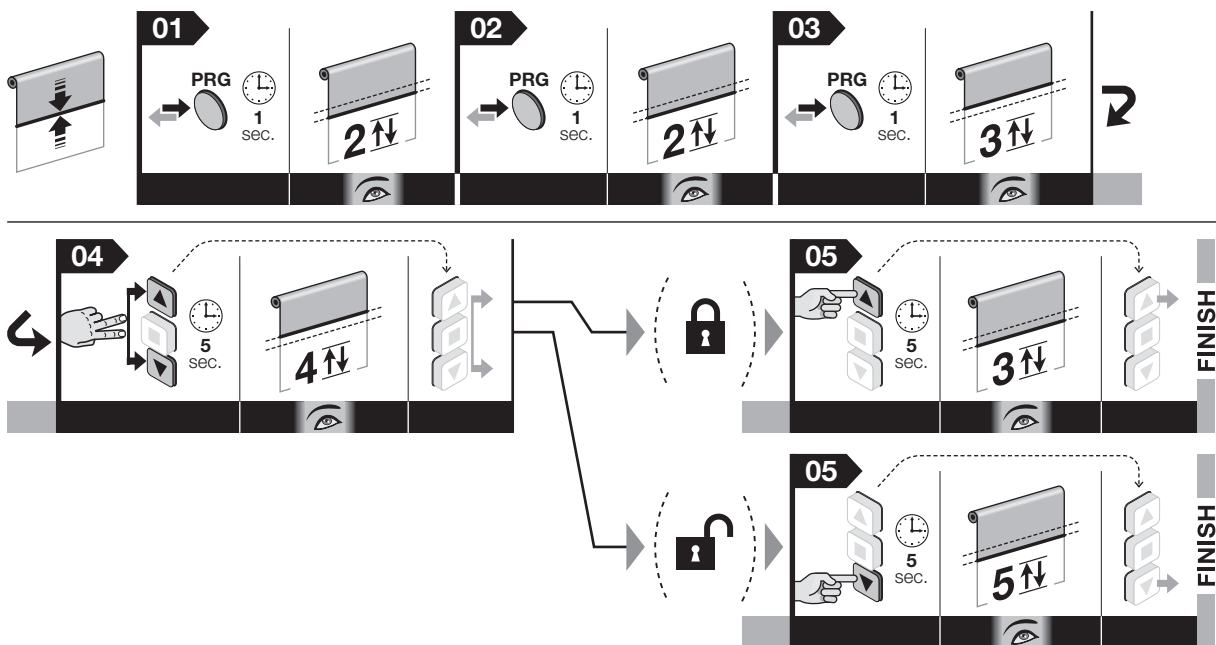
01. Przytrzymać wciśnięty przycisk i zaczekać, aż silnik wykona 2 manewry. Następnie zwolnić przycisk.
02. Przytrzymać wciśnięty przycisk i zaczekać, aż silnik wykona 3 manewry. Następnie zwolnić przycisk.
03. Przytrzymać wciśnięty przycisk i zaczekać, aż silnik wykona 3 manewry. Następnie zwolnić przycisk.
04. Przytrzymać równocześnie przyciski i i zaczekać, aż silnik wykona 2 manewry. Następnie zwolnić przyciski.
05. • **Aby zablokować pamięć:** Przytrzymać wciśnięty przycisk i zaczekać, aż silnik wykona 3 manewry. Następnie zwolnić przycisk.
• **Aby odblokować pamięć:** Przytrzymać wciśnięty przycisk i zaczekać, aż silnik wykona 5 manewrów. Następnie zwolnić przycisk.





Wskazówka – Podczas wykonywania procedury możliwe jest anulowanie programowania w dowolnym momencie poprzez jednoczesne wciśnięcie na 4 sekundy przycisków ■ i ▼. Ewentualnie można nie wciskać żadnego przycisku i odczekać 60 sekund, aż silnik wykona 6 manewrów.

— Procedura 5.11 — wykonywalny tylko przez nadajnikiem z serii Era P i Era W



PROCEDURY WYPOSAZENIE DODATKOWE (odn. Rozdział 6)

5.12 - Konfiguracja klimatycznego czujnika radiowego (odn. punkt 6.1.2)

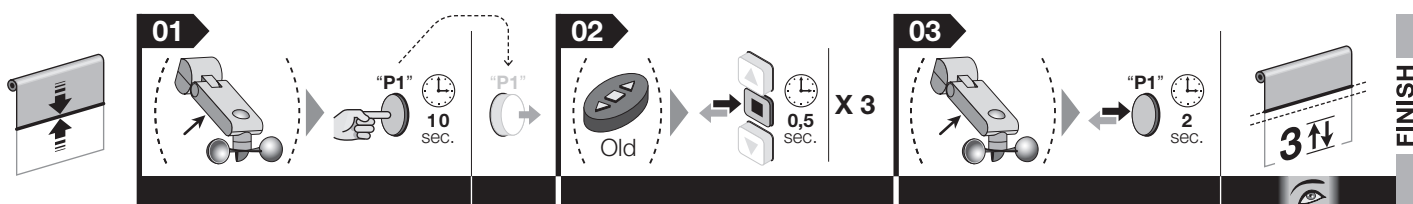
W celu wykonania tej procedury konieczne jest dysponowanie nadajnikiem już skonfigurowanym w „Trybie I”.

Przed rozpoczęciem procedury należy umieścić roletę (lub markizę) w połowie jej skoku.

01. (na czujniku klimatycznym) Przytrzymać wciśnięty żółty przycisk przez 10 sekund, a następnie zwolnić go (w tym przypadku silnik nie wykona żadnego manewru).

02. (na starym nadajniku) Wcisnąć 3 razy przycisk ■, jeśli został on już skonfigurowany.

03. (na czujniku klimatycznym) Przytrzymać wciśnięty żółty przycisk przez 2 sekundy: silnik wykonuje 3 manewry w celu potwierdzenia konfiguracji. **Uwaga!** – Jeżeli silnik wykona 6 manewrów, oznacza to, że jego pamięć jest zapełniona.

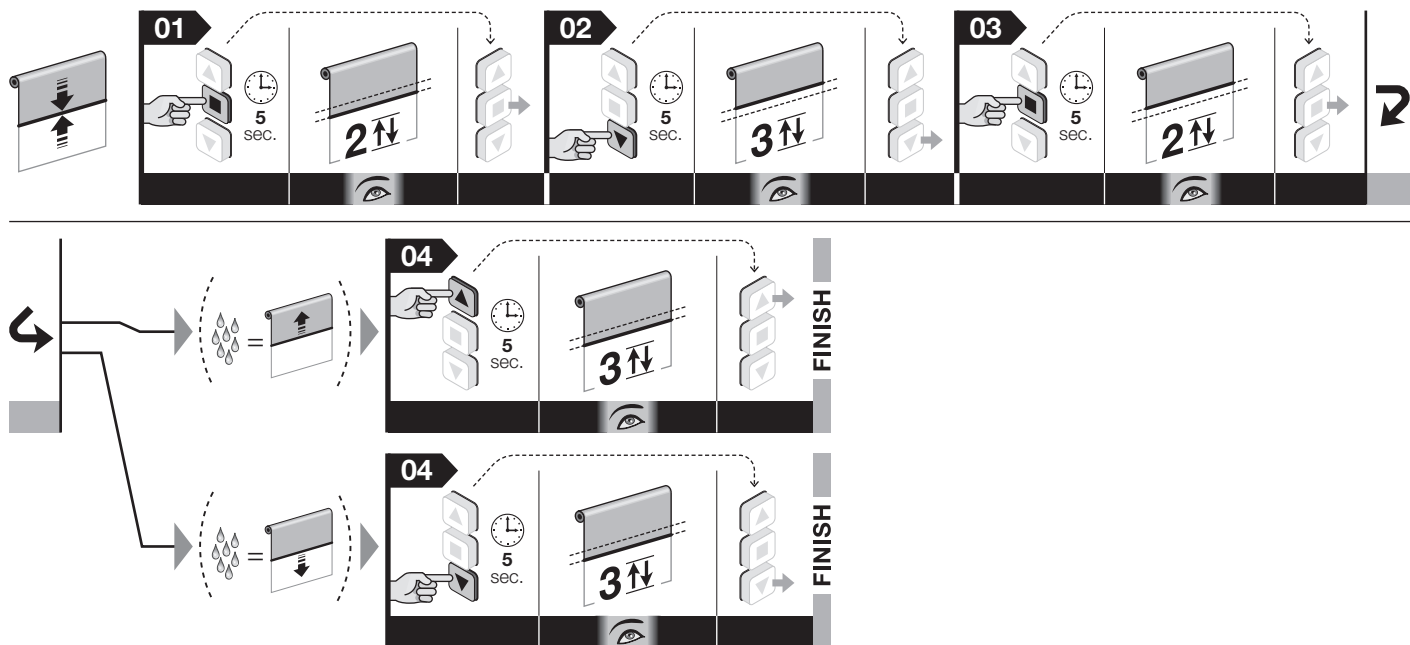


Uwaga – Podczas wykonywania procedury możliwe jest anulowanie programowania w dowolnym momencie poprzez jednoczesne wciśnięcie na 4 sekundy przycisków ■ i ▼. Ewentualnie można nie wciskać żadnego przycisku i odczekać 60 sekund, aż silnik wykona 6 manewrów.

5.13 - Programowania ruchu (Podnoszenie lub Opuszczanie), który silnik musi wykonać automatycznie, gdy zaczyna padać (odn. punkt 6.1.4)

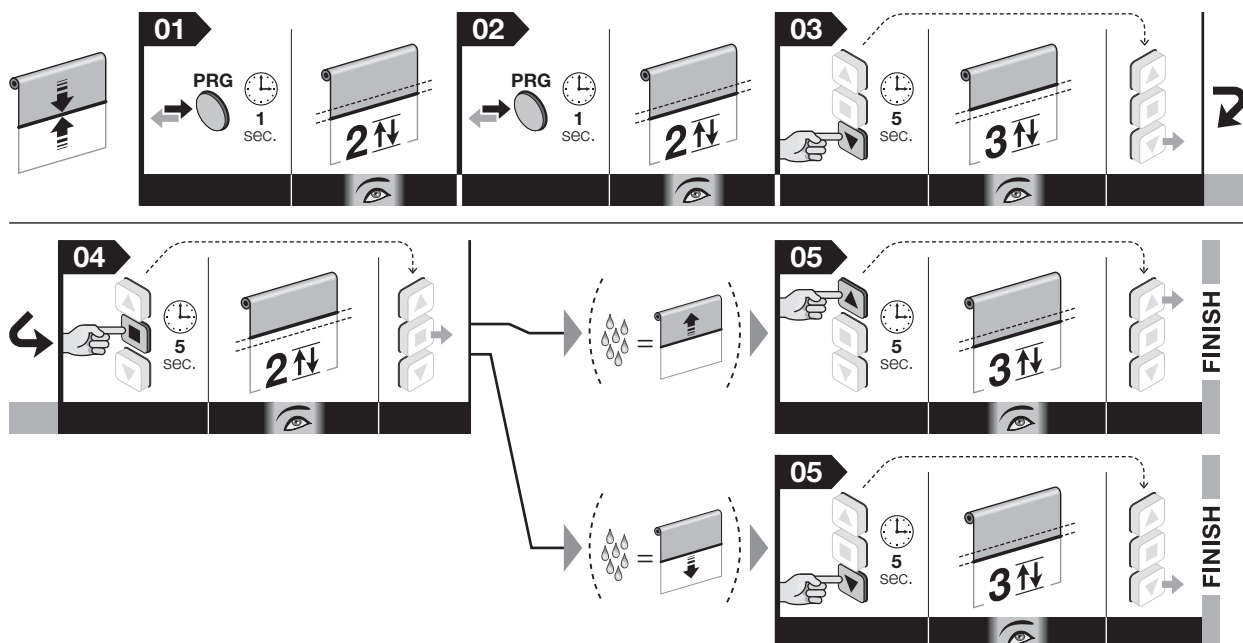
Przed rozpoczęciem procedury należy umieścić roletę (lub markizę) w połowie jej skoku.

01. Przytrzymać wciśnięty przycisk ■ i zaczekać, aż silnik wykona 2 manewry. Następnie zwolnić przycisk.
02. Przytrzymać wciśnięty przycisk ▼ i zaczekać, aż silnik wykona 3 manewry. Następnie zwolnić przycisk.
03. Przytrzymać wciśnięty przycisk ■ i zaczekać, aż silnik wykona 2 manewry. Następnie zwolnić przycisk.
04. Zaprogramować ruch, jaki silnik musi wykonać automatycznie, gdy zaczyna padać, wybierając jedną z poniższych opcji:
 - w celu zaprogramowania **Podnoszenia rolety (lub markizy)**: przytrzymać wciśnięty przycisk ▲ i zaczekać, aż silnik wykona 3 manewry. Następnie zwolnić przycisk.
 - w celu zaprogramowania **Opuszczania rolety (lub markizy)**: przytrzymać wciśnięty przycisk ▼ i zaczekać, aż silnik wykona 3 manewry. Następnie zwolnić przycisk.

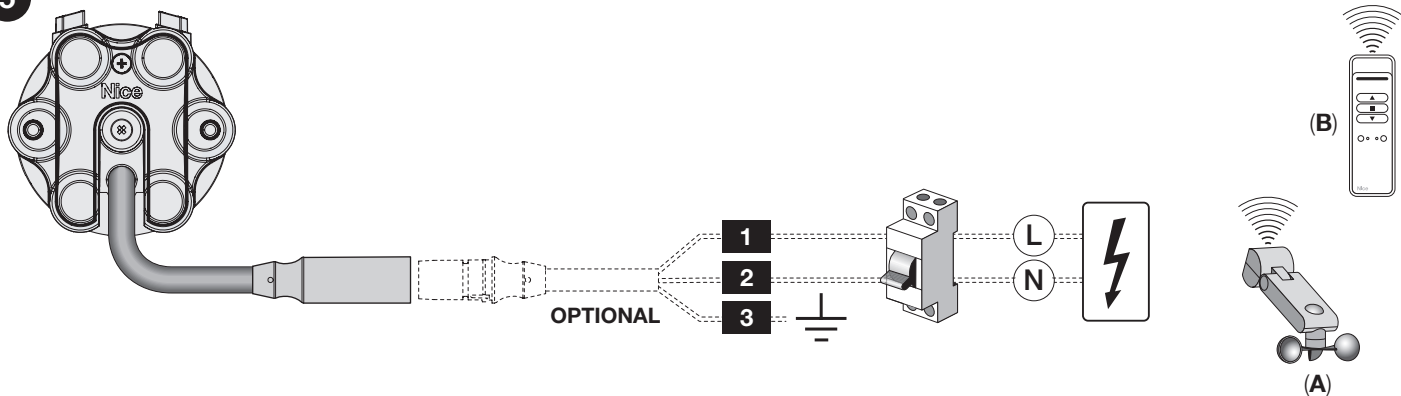


Uwaga – Podczas wykonywania procedury możliwe jest anulowanie programowania w dowolnym momencie poprzez jednoczesne wciśnięcie na 4 sekundy przycisków ■ i ▼. Ewentualnie można nie wciskać żadnego przycisku i odczekać 60 sekund, aż silnik wykona 6 manewrów.

— Procedura 5.13 — wykonywalny tylko przez nadajnikiem z serii Era P i Era W



5



• **PRZEWODY:** 1) brązowy; 2) niebieski; 3) żółto-zielony.

• **URZĄDZENIA DODATKOWE:** A) Czujniki klimatyczne (sterowane radiowo); B) Nadajniki przenośne (sterowane radiowo).

6 URZĄDZENIA DODATKOWE

6.1 - Czujniki klimatyczne wiatru, słońca i deszczu

UWAGA! – Możliwe jest wyłącznie użycie czujników radiowych. Urządzenia te sterują automatycznie markizą (lub roletą) w zależności od panujących na zewnątrz warunków atmosferycznych.

Uwaga – Czujników klimatycznych nie należy traktować jako urządzenia zabezpieczającego, chroniącego przed uszkodzeniem markizy/rolety z powodu działania deszczu lub silnego wiatru. Zwykła przerwa w dostawie prądu uniemożliwia bowiem automatyczne działanie markizy (lub rolety). W związku z tym, czujniki te należy traktować jako część automatyki ułatwiającą nadzór nad markizą (lub roletą). Firma Nice nie ponosi żadnej odpowiedzialności za straty materialne powstałe w wyniku działania czynników atmosferycznych, które nie zostały wykryte przez czujniki.

6.1.1 - Definicje i terminy umowne

- **Polecenie ręczne „Słońce On”** = uruchamia odbieranie przez silnik poleceń automatycznych, przekazywanych przez czujnik „słońce”, jeżeli takowy występuje w instalacji. Kiedy funkcja odbioru tych poleceń jest aktywna, użytkownik może w dowolnym momencie wysyłać polecenia ręczne: polecenia te traktowane są jako nadrzędne względem automatycznej pracy urządzenia
- **Polecenie ręczne „Słońce Off”** = dezaktywuje odbieranie przez silnik poleceń automatycznych, przekazywanych przez czujnik „słońce”, jeżeli takowy występuje w instalacji. Kiedy funkcja odbioru tych poleceń jest nieaktywna, automat działa wyłącznie w trybie sterowania ręcznego. Czujników „Wiatr” i „Deszcz” nie można dezaktywować, gdyż służą one do ochrony automatyki przed tymi czynnikami atmosferycznymi.
- **Intensywność „Powyżej wartości progowej” nasłonecznienia/ wiatru** = stan, w którym intensywność zjawiska atmosferycznego przekracza wartość ustaloną jako progową.
- **Intensywność „Poniżej wartości progowej” nasłonecznienia/wiatru** = stan, w którym intensywność zjawiska atmosferycznego znajduje się poniżej wartości uznanej jako progowa.
- **„Ochrona przed wiatrem”** = stan, w którym system blokuje wszystkie polecenia otwarcia markizy (lub rolety) z powodu intensywności wiatru przekraczającej wartość progową.
- **„Opady deszczu”** = stan, w którym system ostrzega o opadach deszczu, w przeciwieństwie do stanu „brak opadów”.
- **„Polecenie ręczne”** = polecenie podnoszenia, opuszczania lub zatrzymania, wysłane przez użytkownika za pośrednictwem nadajnika.

6.1.2 - Konfiguracja klimatycznego czujnika radiowego

Aby zapisać czujnik klimatu, wykonać procedurę 5.12.

6.1.3 - Zachowanie silnika w poszczególnych warunkach pogodowych

Czujniki klimatyczne NEMO i VOLO umożliwiają zapewnienie zautomatyzowanego działania Państwa markizy (lub rolety) w zależności od warunków atmosferycznych. Informacje na temat regulacji poziomów włączania się systemu zawarte są w podręczniku produktów Nemo i Volo.

• Zachowanie automatyki w obecności czujnika „Słońce”: rys. 7

Po dwóch minutach od momentu, gdy intensywność światła słonecznego osiągnie

wartość wyższą od wartości progowej (powyżej progu „Słońce”), silnik samoczynnie wykonuje manewr opuszczania. Gdy intensywność światła słonecznego osiągnie wartość niższą od przewidzianej wartości histerezy (poniżej progu „Słońce”) i pozostanie w niej przez przynajmniej 15 minut w sposób ciągły, silnik samoczynnie wykonuje manewr podnoszenia. **Uwaga** – próg histerezy znajduje się na 50% wartości wyregulowanego progu „Słońce”.

Chwilowe spadki intensywności światła słonecznego, o niewielkim nasileniu i czasie trwania krótszym od 15 minut, nie wpływają na cykl całościowy. Polecenia ręczne przesłane przez użytkownika sumują się z poleceniami automatycznymi.

Próg interwencji czujnika nasłonecznienia jest ustawiony fabrycznie na poziom 3 (= 15 Klux). Jeśli pragnie się zmienić tę wartość, należy przeprowadzić procedurę 5.16.

• Zachowanie automatyki w obecności czujnika „Deszcz”: rys. 8

Czujnik deszczu rozpoznaje dwa warunki: „brak deszczu” i „opady deszczu”. Gdy silnik otrzyma sygnał „opady deszczu”, następuje natychmiastowa aktywacja manewru (Podnoszenie lub Opuszczanie), który instalator zaprogramował dla tego warunku (*). Czujnik deszczu wyłącza się automatycznie po co najmniej 15 minutach od momentu stwierdzenia braku deszczu.

(*) - Użyć procedury 5.13 do zaprogramowania manewru, jaki silnik będzie musiał wykonać automatycznie, gdy czujnik deszczu zasygnalizuje „opady deszczu”.

Automatyka deszczu wyłącza się po co najmniej 15 minutach od momentu stwierdzenia braku deszczu. Polecenia ręczne, również w tej sytuacji, są zawsze aktywne i sumują się z poleceniem wygenerowanym w sposób automatyczny. W przypadku polecenia ręcznego przeciwnego do polecenia autonomicznego, automatyka wykonuje polecenie ręczne i w tej samej chwili włącza licznik 15 minut po zakończeniu którego zostaje wykonane zaprogramowane polecenie automatyczne (na przykład zamknięcie markizy lub rolety).

Przykład: 1) Markiza (lub roleta) jest otwarta. **2)** Zaczyna padać deszcz. **3)** Markiza (lub roleta) zamyka się. **4)** Po kilku chwilach użytkownik wymusza otwarcie. **5)** Markiza (lub roleta) otwiera się. **6)** Po 15 minutach od otwarcia markiza (lub roleta) zostaje automatycznie zamknięta przez system. **7)** Deszcz przestaje padać na przynajmniej 15 minut. **8)** Użytkownik ponownie otwiera markizę (lub roletę). **9)** Markiza (lub roleta) pozostaje otwarta.

• Zachowanie automatyki w obecności czujnika „Wiatr”: rys. 9

Kiedy intensywność wiatru zaczyna przewyższać wartość progową, system włącza ochronę przed wiatrem i podnosi automatycznie markizę (lub roletę). Przy włączonym zabezpieczeniu, polecenia ręczne zostają wyłączone (nie jest możliwe opuszczenie markizy lub rolety). Po zakończeniu okresu zablokowania zostają ponownie aktywne polecenia ręczne, a po 10 minutach zostaje przywrócone funkcjonowanie automatyczne.

Próg interwencji czujnika wiatru jest ustawiony fabrycznie na poziom 3 (= 15 Klux). Jeśli pragnie się zmienić tę wartość, należy przeprowadzić procedurę 5.17.

• Mieszane warunki atmosferyczne

Każdy warunek ma swoją wagę. Obowiązuje następująca hierarchia ważności: wiatr, deszcz, słońce. Wiatr jest zjawiskiem o najwyższej wadze. Zjawisko o wyższej wadze anuluje stan dyktowany przez zjawisko o niższej wadze.

Przykład: 1) W piękny słoneczny dzień następuje opuszczenie markizy (lub rolety). **2)** Jeżeli nadejdą chmury i na czujnik spadnie kropla wody, silnik wyzeruje warunek „słońce obecne” i zleca wykonanie manewru przewidzianego dla warunku „obecność deszczu”. **3)** Jeżeli prędkość wiatru wzrośnie i przekroczy ustawiony próg, silnik wyłączy sekwencję automatyczną przewidzianą dla deszczu i zleca manewr podnoszenia zamrażając markizę (lub roletę) w zamknięciu aż do ustania wiatru. **4)** Gdy wiatr ustaje, po mniej więcej 10 minutach obniża się stan alarmowy dla wiatru, a jeżeli nadal występuje stan „opady deszczu”, aktywuje się czujnik deszczu i zostaje

wykonany wcześniej określony manewr. Po ustaniu deszczu zostaje przywrócony tryb dla słońca słońca. Jeżeli intensywność światła słonecznego przekroczy próg, markiza (lub roleta) zostanie otwarta. Kiedy intensywność światła słonecznego osiągnie wartość niższą od progu „Słońce”, po 15 minutach zostaje wykonany manewr podnoszenia.

• Polecenia „Słońce-On” i „Słońce-Off”

Polecenie „Słońce-On” aktywuje działanie automatyki, natomiast polecenie „Słońce-Off” je dezaktywuje. Jeżeli użytkownik wysła polecenie „Słońce-On”(automatyka aktywna) i w danej chwili jest obecne słońce, system zleci otwarcie markizy lub (rolety). Jeżeli automatyka jest już aktywna, po przesłaniu innego polecenia „Słońce-On” system zostanie zresetowany i algorytm rozpoczyna się od początku z natychmiastowym wynikiem. Jeżeli, wysyłając polecenie „Słońce On”, poziom oświetlenia słońca nie umożliwi otwarcia (nie uzyskano wartości powyżej progu słońca), silnik generuje polecenie zamykania zgodne z bieżącymi warunkami. Jeżeli nie istnieją przesłanki do ruchu (na przykład markiza (lub roleta) zamknięta i brak słońca), po otrzymaniu polecenia „Słońce-On” silnik pozostanie zatrzymany. Wysyłając polecenie „Słońce Off”, automatyka zostaje wyłączona.

Przykład: markiza (lub roleta) jest zamknięta; zostaje wysłane polecenie „Słońce On”; jeżeli jest obecne słońce, markiza (lub roleta) zostanie otwarta natychmiastowo, bez oczekania 2 minut.

Wyłączając automatykę zostaje uniemożliwiony ruch automatyczny połączony ze zmianami natężenia światła słonecznego. Automatyka przypisana wiatrowi lub deszczowi nie może być wyłączona.

6.1.4 - Programowanie kierunku, w jakim zostanie przesunięta markiza (lub roleta) w razie deszczu

W razie deszczu, system steruje automatycznie manewrem podnoszenia (ustawienia fabryczne). Aby zmienić to ustawienie, wykonać procedurę 5.13.

7 OSTRZEŻENIA DOTYCZĄCE CODZIENNEGO UŻYTKOWANIA AUTOMATU

7.1 - Maksymalny czas pracy ciągłej

Zasadniczo silniki z linii „Era” przeznaczone są do użytku prywatnego, a co za tym idzie, nieciągłego. Gwarantują one maksymalny czas użytkowania ciągłego do 4 minut, a w przypadku przegrzania (na przykład w wyniku ciągłego i przedłużającego się użytkowania), automatycznie zadziałanie „zabezpieczenia termicznego”, które odcina zasilanie elektryczne i złącza je ponownie dopiero wtedy, gdy temperatura powróci do normalnych wartości.

Co zrobić jeśli... (pomoc w rozwiązywaniu problemów)

- **Przesyłając polecenie ruchu lub naciskając przycisk w celu uruchomienia manewru, silnik nie zostaje uruchomiony.**
 - a) Sprawdzić, czy nie zadziałało zabezpieczenie termiczne silnika. Jeśli tak, w celu przywrócenia normalnego działania wystarczy zaczekać, aż silnik się schłodzi.
 - b) Sprawdzić, czy zasilanie sieciowe jest zgodne z wartościami przedstawionymi na tabliczce znamionowej silnika.
 - c) Sprawdzić, czy silnik nie jest zablokowany na krańcówce w obu kierunkach obrotów. Jeśli tak, wystarczy wyregulować ponownie wartości krańcówki, wykonując w tym celu procedurę opisaną w rozdziale 5.5.
 - d) Sprawdzić, czy kabel zasilający jest cały.
- **Jeżeli silnik nie zatrzymuje się w sposób automatyczny po dotarciu rolety (lub markizy) do ogranicznika krańcowego.**
 - a) Upewnić się, że oba przyciski strzałek umieszczone na głowicy silnika ustawione są w położeniu opuszczonym, czyli na poziomie powierzchni silnika.
 - b) Podczas manewru upewnić się, że rura nawojowa przesuwana nasadką krańcówki (**rys. 6-h**).
- **Jeżeli podczas pierwszego manewru nastąpi przesunięcie zaprogramowanych uprzednio pozycji ograniczników krańcowych.**
 - a) Wykonać ponownie procedurę opisaną w rozdziale 5.5 w celu kompensacji luzów występujących pomiędzy mechanizmami.

Jeżeli po wykonaniu tych czynności problemy nie ustąpią, zwrócić się do wykwalifikowanego technika lub skontaktować się z Serwisem Technicznym firmy Nice.

Utylizacja urządzenia

Zarówno operacje montażu jak i demontażu po zakończeniu eksploatacji urządzenia powinny być wykonywane przez wykwalifikowany personel.

Urządzenie składa się z różnego rodzaju materiałów: niektóre z nich mogą zostać poddane recyklingowi, inne powinny zostać poddane utylizacji. Należy we własnym zakresie zapoznać się z informacjami na temat recyklingu i utylizacji przewidzianych w lokalnie obowiązujących przepisach dla danej kategorii produktu.

Uwaga! – niektóre części urządzenia mogą zawierać skażające lub niebezpieczne substancje; jeśli trafią one do środowiska, mogą wywołać poważne szkody dla samego środowiska oraz dla zdrowia ludzi. Jak wskazuje symbol zamieszczony obok, zabrania się wyrzucania urządzenia razem z odpadami domowymi. Należy więc przeprowadzić „selektywną zbiórkę odpadów” zgodnie z metodami przewidzianymi przez przepisy obowiązujące na danym terytorium lub oddać urządzenie do sprzedawcy podczas dokonywania zakupu nowego ekwiwalentnego urządzenia.



Uwaga! – lokalne przepisy mogą przewidywać ciężkie sankcje w przypadku nieprawidłowej utylizacji niniejszego produktu.

- Opakowanie urządzenia należy utylizować zgodnie z lokalnymi przepisami.

Dane techniczne

Odnieść się do danych zamieszczonych na tabliczce znamionowej silnika.

Zanotuj: • Wszystkie podane parametry techniczne, dotyczą temperatury otoczenia równej 20°C (± 5°C). • Nice S.p.a. zastrzega sobie prawo do wprowadzenia modyfikacji w produkcie, w jakimkolwiek momencie, gdy uzna to za konieczne, utrzymując niezmiennione przeznaczenie użytkowania i funkcje.

Uproszczona deklaracja zgodności CE

NICE S.p.A. niniejszym oświadcza, że typ urządzenia radiowego E EASYPLUS M 817 SH, E EASYPLUS M 1517 SH, E EASYPLUS M 3017 SH, jest zgodny z dyrektywą 2014/53/UE.

Kompletny tekst deklaracji zgodności CE jest udostępniany pod następującym adresem internetowym: <https://www.niceforyou.com/en/support>.

Volledige handleiding

Opmerking met betrekking tot raadpleging van de handleiding – Een aantal in de tekst vermelde afbeeldingen zijn achter in de handleiding terug te vinden.

1 WAARSCHUWINGEN EN ALGEMENE VOORZORGSMAATREGELEN MET HET OOG OP VEILIGHEID

- **Let op!** – Belangrijke instructies voor de veiligheid: bewaar deze handleiding.
- **Let op!** – Naleving van deze instructies is van belang voor de veiligheid van personen. Lees daarom deze handleiding aandachtig door voordat u te werk gaat.

1.1 - Waarschuwingen met betrekking tot de installatie

- Alle werkzaamheden met betrekking tot installatie, aansluiting, programmering en onderhoud van het product mogen alleen worden uitgevoerd door een gekwalificeerd en bevoegd technicus, met inachtneming van geldende wetten, normen, plaatselijke verordeningen en de instructies in deze handleiding.
- Voordat u met de installatie begint, dient u paragraaf 3.1 te lezen om te controleren of het product geschikt is voor de automatisering van uw rolluik (of scherm). Als het product niet geschikt is, dient u NIET verder te gaan met de installatie.
- Tijdens alle werkzaamheden voor installatie en onderhoud van het product moet de automatisering losgekoppeld zijn van de elektrische stroomvoorziening. Voordat er met de werkzaamheden wordt begonnen, moet er een bord met de tekst "LET OP! MACHINE IN ONDERHOUD" op het uitschakelapparaat worden aangebracht.
- Voordat u met de installatiewerkzaamheden begint, moet u ervoor zorgen dat alle elektriciteitskabels die niet noodzakelijk zijn voor de werkzaamheden, uit de buurt blijven; schakel ook alle mechanismen uit die niet noodzakelijk zijn voor de gemotoriseerde werking van het rolluik (of scherm).
- Tijdens de installatie moeten personen op afstand van het rolluik (of scherm) blijven wanneer dit in beweging is.
- De lijst van mechanische onderdelen die nodig zijn om de motor aan het rolluik (of scherm) te koppelen is opgenomen in de Nice-productcatalogus.
- Indien het product op een hoogte van minder dan 2,5 m vanaf de vloer of een ander draagvlak wordt geïnstalleerd, is het noodzakelijk de bewegende delen ervan te beschermen met een afdekking, om te voorkomen dat men hier per ongeluk mee in aanraking kan komen. Voor de verwezenlijking van de bescherming raadpleegt u de handleiding van het rolluik (of scherm); zorg er in ieder geval wel voor dat toegang voor onderhoudswerkzaamheden mogelijk blijft.
- Bij zonwerkingen moet een horizontale afstand van minimaal 40 cm worden gegaandeerd tussen de volledig geopende zonwerking en een eventueel vast object dat zich ervoor bevindt.
- Behandel het product gedurende de installatie voorzichtig (afb. 1): voorkom samendrukking, stoten, valpartijen of contact met vloeistoffen van welke soort dan ook; ga niet met puntige voorwerpen in de motor; boor geen gaten en draai geen schroeven in de buitenkant van de motor; plaats het product niet in de buurt van warmtebronnen en stel het niet bloot aan open vuur. Een dergelijke handelswijze kan het product beschadigen en storingen of gevaarlijke situaties veroorzaken. In dergelijke gevallen dient u de installatie onmiddellijk te onderbreken en contact op te nemen met de klantenservice van Nice.
- Geen schroeven aanbrengen op de wikkelrol, in het deel dat intern door de motor wordt overgestoken. Dergelijke schroeven zouden schade aan de motor kunnen toebrengen.
- Het product niet demonteren op wijzen die verdergaan dan in deze handleiding voorzien is.
- Geen aanpassingen op onderdelen van het product uitvoeren, afgezien van de aanpassingen die in deze handleiding worden beschreven. De fabrikant wijst elke aansprakelijkheid voor schade ten gevolge van aanpassingen aan het product van de hand.
- De voedingskabel van de motor is van PVC en is geschikt voor gebruik binnenshuis. Voor gebruik in andere omgevingen moet de kabel over zijn gehele lengte worden afgeschermd door deze in een speciale leiding ter bescherming van elektrische kabels te plaatsen.
- De voedingskabel van het apparaat mag niet worden vervangen. Bij een beschadigde kabel moet het apparaat worden gesloopt.

1.2 - Waarschuwingen met betrekking tot het gebruik

- Het product is niet bestemd voor gebruik door personen (inclusief kinderen) met lichamelijke, zintuiglijke of geestelijke beperkingen of met gebrek aan ervaring of kennis.
- Laat kinderen niet met de vaste bedieningselementen spelen.
- Controleer de automatisering tijdens de uitvoering van een manoeuvre en houd personen op veilige afstand tot de beweging voltooid is.
- Geef de automatisering geen instructies wanneer er in de buurt ervan werkzaamheden plaatsvinden, zoals ramen wassen, onderhoud, enzovoort. Koppel de elektrische voeding los voordat deze werkzaamheden uitgevoerd worden.
- Vergeet niet om de balansveren en de slijtage van de kabels regelmatig te controleren (als deze mechanismen aanwezig zijn). De automatisering niet gebruiken als

deze afgesteld of gerepareerd moet worden; het oplossen van dergelijke problemen uitsluitend overlaten aan gespecialiseerd technisch personeel.

2 BESCHRIJVING VAN HET PRODUCT EN GEBRUIKSBESTEMMING

Era Plus is een serie buismotoren die bestemd zijn voor de automatisering van rolluiken, zonweringen, en andere vergelijkbare toepassingen (afb. 2). **Elk ander gebruik is verboden! De fabrikant aanvaardt geen aansprakelijkheid voor schade die het gevolg is van oneigenlijk gebruik van het product, behalve voor zover in deze handleiding voorzien is.**

Het product heeft de volgende kenmerken:

- wordt gevoed door het elektriciteitsnet (controleert de gegevens op het naambord de motor);
- moet aan de binnenkant van het rolelement worden geïnstalleerd; het gedeelte van de motor dat uit het rolelement steekt (elektronische kop) moet aan het plafond of aan de wand worden gemonteerd met speciale steunhaken (niet in de verpakking aanwezig);
- beschikt over een ingebouwde radio-ontvanger en een besturingseenheid. Deze laatste garandeert de elektronische besturing van de beweging en het automatische stoppen bij eindaanslag "0" (rolluik of scherm volledig opgerold) en eindaanslag "1" (rolluik of scherm volledig afgerold). Zie **afb. 4**;
- compatibel met alle elektronische besturingsinrichtingen van Nice screen (zenders en klimaatsensoren);
- kan draadloos of via kabels worden bestuurd, met gebruikmaking van diverse optionele accessoires, die niet in de verpakking inbegrepen zitten (zie **afb. 5**);
- De eindaanslagen worden geprogrammeerd met de pijltjestoetsen op de kop van de motor. De andere functies worden draadloos geprogrammeerd, met een draagbare zender (accessoires niet in de verpakking inbegrepen);
- ontworpen voor gebruik in woningen en dus voor onregelmatig gebruik. Garandeert een continue bedrijfsduur, aangegeven op het gegevensplaatje.
- is voorzien van een thermisch beschermingssysteem dat in geval van oververhitting door doellopend gebruik van de automatisering op een wijze waarop de geldende limieten worden overschreden, de elektrische voeding automatisch onderbreekt en weer inschakelt zodra de temperatuur weer acceptabel is;
- is beschikbaar in verschillende versies, elk met een bepaald motorkoppel (vermogen).

3 INSTALLATIE VAN DE MOTOR EN DE ACCESSOIRES

3.1 - Controles die aan de installatie voorafgaan en gebruikslimieten

- Controleer direct na het uitpakken of het product compleet en intact is.
- Dit product is beschikbaar in verschillende versies, elk met een bepaald motorkoppel. Elke versie is ontworpen voor het bewegen van rolluiken (of schermen) van bepaalde afmetingen en een bepaald gewicht. Voorafgaand aan de installatie dient u zich er dus van te verzekeren dat de parameters van de motorkoppel, draaisnelheid en werkingstijd van dit product geschikt zijn voor de automatisering van uw rolluik (of scherm) (zie de "Keuzegids" in de Nice-productcatalogus – www.niceforyou.com). Het bijzonder, **het product niet installeren als de motorkoppel groter is dan nodig is voor het bewegen van uw rolluik (of scherm).**
- Controleer de diameter van de wikkelrol. Deze moet worden gekozen op basis van de motorkoppel, en wel op de volgende wijze:
 - voor de motoren van maat "M" ($\varnothing = 45 \text{ mm}$) en met een maximum koppel van **35 Nm (inbegrepen)**, de binnendiameter minimum van de wikkelrol gelijk moet zijn aan 52 mm;
 - voor de motoren van maat "M" ($\varnothing = 45 \text{ mm}$) en met een koppel groter dan **35 Nm**, de binnendiameter minimum van de wikkelrol gelijk moet zijn aan 60 mm;
 - voor de motoren van maat "L" ($\varnothing = 58 \text{ mm}$), de binnendiameter minimum van de wikkelrol gelijk moet zijn aan 70 mm.
- Voordat u een scherm automatiseert, dient u zich ervan te verzekeren dat er voldoende vrije ruimte is voor de maximaal gewenste open stand.
- In geval van installatie buiten moet u zorgen dat de motor afdoende beschermd is tegen atmosferische invloeden.

Voor verdere gebruikslimieten verwijzen wij u naar de hoofdstukken 1 en 2 en de "Technische specificaties".

3.2 - Montage en installatie van de buismotor

Let op! – Voordat u verdergaat dient u de waarschuwingen in paragraaf 1.1 en 3.1 aandachtig te lezen. Een incorrecte installatie kan ernstig letsel tot gevolg hebben.

Voor de montage en installatie van de motor raadpleegt u **afb. 6**. Raadpleeg ook de Nice-productcatalogus of de website www.niceforyou.com om de kroon van de eindaanslag (**afb. 6-a**), het sleepwielje (**afb. 6-b**) en de montagebeugel van de motor (**afb. 6-f**) te kiezen.

3.3 - Installatie van de accessoires


Na installatie van de motor moeten ook de accessoires geïnstalleerd worden, als deze voorzien zijn. Ter identificatie van compatibele accessoires en voor de keuze van de gewenste modellen raadpleegt u de Nice-productcatalogus, die ook aanwezig is op de website www.niceforyou.com. Om meer te leren over de functies van de accessoires en het programmeren van de gewenste opties, raadpleeg hoofdstuk 6. In **afb. 5** vindt u de typologie van de compatibele accessoires en de aansluiting ervan op de motor (deze zijn allemaal optioneel en niet aanwezig in de verpakking).

4 ELEKTRISCHE AANSLUITINGEN EN EERSTE INSCHAKELING

De elektrische aansluitingen moeten pas tot stand worden gebracht nadat de motor en de gewenste compatibele accessoires geïnstalleerd zijn.

De elektriciteitskabel van de motor bestaat uit de volgende interne draden (afb. 5):

Kabel	Kleur	Aansluiting
1	Bruin	Voedingsfase
2	Blauw	Neutraal
3	Geel-groen	Aarde



4.1 - Aansluiting van de motor op het elektriciteitsnet

Gebruik kabel 4, 5, 6 (afb. 5) om de motor aan te sluiten op het elektriciteitsnet, rekening houdend met de volgende **waarschuwingen**:

- houd strikt rekening met de aansluitingen die in deze handleiding worden aangegeven;
- een onjuiste aansluiting kan storingen of gevaarlijke situaties veroorzaken.

4.2 - Installatie van de beveiligingsinrichtingen in het elektrische voedingsnet

In overeenstemming met de regels die op de elektrische installatie betrekking hebben, is het nodig om in het net dat de motor voedt een **veiligheidsvoorziening tegen kortsluiting** op te nemen alsmede een **voorziening voor de afsluiting van het elektriciteitsnet** (de twee voorzieningen maken geen deel uit van de verpakking). **Let op!** – **Het uitschakelapparaat moet contacten met openingsafstand hebben die volledige loskoppeling mogelijk maken bij de condities die zijn vastgelegd voor overspanningscategorie III.**

De voorziening voor de afsluiting moet opgesteld zijn in het zicht van de automatisering. Is deze voorziening niet zichtbaar dan moet een systeem aanwezig zijn die een eventuele onverhoeds hernieuwde of niet geautoriseerde inschakeling van de voeding blokkeert zodat ieder gevaar wordt weggenomen.

4.3 - Aansluiting van de accessoires op de motor

Accessoires die draadloos kunnen worden aangesloten (draagbare zenders en een willekeurig model klimaatsensor): sla deze tijdens de programmeerfasen op in het geheugen van de motor, rekening houdend met de procedures die in deze handleiding en in de handleidingen van de inrichtingen worden beschreven.

5 PROGRAMMERING EN AFSTELLING

5.1 - Te gebruiken zender voor de programmeringsprocedures

- De programmeringsprocedures mogen alleen worden uitgevoerd met een **Nice-zender die ten minste is voorzien van de toetsen ▲, ■ en ▼.**
- De programmeringsprocedures mogen alleen worden uitgevoerd met een zender die in "Modus I" in het geheugen is opgeslagen (paragraaf 5.7 of 5.9.1).
- Als de zender die voor de programmering is gebruikt, meerdere automatiseringsgroepen aanstuurt, moet tijdens een procedure, voordat er een instructie wordt verzonden, eerst de "groep" worden geselecteerd waartoe de automatisering behoort die geprogrammeerd wordt.

5.2 - Posities waarin het rolluik (of het scherm) automatisch stopt

Het elektronisch systeem dat op elk moment de beweging van het rolluik (of de zonwering) controleert, kan deze op autonome wijze stoppen wanneer het rolluik (of het scherm) een bepaalde, door de installateur geprogrammeerde positie bereikt. De programmeerbare standen zijn (afb. 4):

- stand "0" = eindaanslag boven: rolluik (of scherm) helemaal opgerold;
- stand "1" = eindaanslag onder: rolluik (of scherm) helemaal afgerold.

Wanneer de eindaanslagen nog niet geprogrammeerd zijn, kan de beweging van het rolluik (of van het scherm) alleen plaatsvinden met "Iemand aanwezig" (d.w.z. iemand moet de instructietoets gedurende de gewenste manoeuvreerduur ingedrukt houden); de beweging wordt gestopt zodra de gebruiker de toets loslaat. Na programmering van de eindaanslagen is **daarentegen één simpele druk op de gewenste toets** voldoende om het rolluik (of het scherm) in beweging te brengen; de beweging wordt op autonome wijze beëindigd zodra het rolluik (of het zonnescerm) de beoogde positie bereikt.

5.3 - Algemene waarschuwingen

- De afstelling van de eindaanslagen moet worden **uitgevoerd nadat** de motor in het rolluik (of in het scherm) is geïnstalleerd en op de voeding is aangesloten.
- Bij installaties waar meerdere motoren en/of ontvangers aanwezig zijn, moet u voordat u met de programmering begint de elektrische voeding naar de motoren en de ontvangers die u niet wilt programmeren, uitschakelen.
- Neem de tijdslijmieten die in de procedures zijn aangegeven, strikt in acht: vanaf het loslaten van een toets hebt u 60 seconden om de volgende toets in te drukken die door de procedure voorzien is.; anders zal de motor bij het verlopen van de tijdslijmiet 6 bewegingen uitvoeren om aan te geven dat de actieve procedure geannuleerd wordt.
- Tijdens de programmering voert de motor een bepaald aantal korte bewegingen uit, als "antwoord" op de instructie die door de installateur wordt verzonden. Het is van belang **het aantal bewegingen te tellen** en daarbij geen onderscheid te maken voor wat betreft de richting waarin de bewegingen worden uitgevoerd.
- Telkens wanneer de motor wordt gevoed, voert hij **2 bewegingen** uit om aan te

geven dat er sprake is van een (of meer) van de volgende condities:

- radiogeheugen leeg (geen zender geprogrammeerd);
- een of meer "pilotoetsen" niet omlaag (of een of meer eindschakelaars niet geprogrammeerd);
- draairichting van de motor niet geprogrammeerd (in dat geval beweegt de motor alleen "met persoon aanwezig", binnen de grenzen van de eindschakelaars als deze geprogrammeerd zijn);
- ongewijzigde motor, d.w.z. met de fabrieksinstellingen actief (of met het geheugen volledig gewist door middel van procedure 5.10).

5.4 - Overzicht van de zenders

5.4.1 - Compatibele zenders

Raadpleeg de Nice-productcatalogus of de website www.niceforyou.com voor informatie over de Nice-bedieningsinrichtingen die compatibel zijn met de radio-ontvanger die in de motor is ingebouwd.

5.4.2 - Hiërarchie van de geheugenopslag van de zenders

In het algemeen kan een zender in het geheugen worden opgeslagen als EERSTE zender of als TWEEDE zender (of als derde, vierde, enzovoort).

A - Eerste zender

Een zender kan alleen in het geheugen worden opgeslagen als **eerste zender** als er **nog geen andere zender in het geheugen van de motor is opgeslagen**. Voor deze geheugenopslag volgt u procedure 5.7 (hiermee wordt de zender in het geheugen opgeslagen in "Modus 1").

B - Tweede zender (of derde, vierde, enzovoort)

Een zender kan alleen in het geheugen worden opgeslagen als **tweede zender (of derde, vierde, enzovoort)** als de **Eerste Zender** al in het geheugen van de motor is opgeslagen. Voor deze geheugenopslag volgt u een van de procedures uit paragraaf 5.9.

5.4.3 - Twee modi voor geheugenopslag van de toetsen van een zender

Voor de opslag van de toetsen van een zender in het geheugen kunnen twee verschillende modi worden gebruikt, namelijk: "Modus I" en "Modus II".

- **"MODUS I"** – In deze modus worden de diverse beschikbare instructies in de motor **automatisch** allemaal tegelijk overgebracht naar de diverse toetsen die beschikbaar zijn op de zender, zonder dat de installateur de kans krijgt om de koppeling tussen instructies en toetsen aan te passen. Aan het eind van de procedure is elke toets aan een specifieke instructie gekoppeld, op basis van het volgende schema:

- toets ▲ (of toets 1): wordt gekoppeld aan de instructie voor **Omhoog**
- toets ■ (of toets 2): wordt gekoppeld aan de instructie voor **Stoppen**
- toets ▼ (of toets 3): wordt gekoppeld aan de instructie voor **Omlaag** (als er op de zender een vierde toets aanwezig is....)
- toets 4: wordt gekoppeld aan de instructie voor **Stoppen**

Opmerking – Als de toetsen op uw zender niet voorzien zijn van symbolen en nummers, raadpleegt u **afb. 3** om deze te identificeren.

- **"MODUS II"** – In deze modus kunnen de diverse beschikbare instructies in de motor **handmatig** worden gekoppeld aan de diverse toetsen van de zender, zodat de installateur de kans krijgt om de gewenste instructie aan de gewenste toets te koppelen. Aan het eind van de procedure dient u de procedure te herhalen als u een andere toets met een andere gewenste instructie in het geheugen wilt opslaan. **Let op!** – Elke automatisering heeft een eigen lijst instructies die in Modus II in het geheugen kunnen worden opgeslagen; in het geval van deze motor is de **lijst met beschikbare instructies** opgenomen bij procedure 5.9.2.

5.4.4 - Aantal zenders die in het geheugen kunnen worden opgeslagen

Er kunnen **30 zenders** in het geheugen worden opgeslagen als deze allemaal in "Modus I" in het geheugen worden opgeslagen; er kunnen **30 afzonderlijke instructies (toetsen)** in het geheugen worden opgeslagen als deze allemaal in "Modus II" in het geheugen worden opgeslagen. De twee modi kunnen met elkaar worden gecombineerd tot een maximum van 30 in het geheugen opgeslagen eenheden.

PROCEDURES → → →

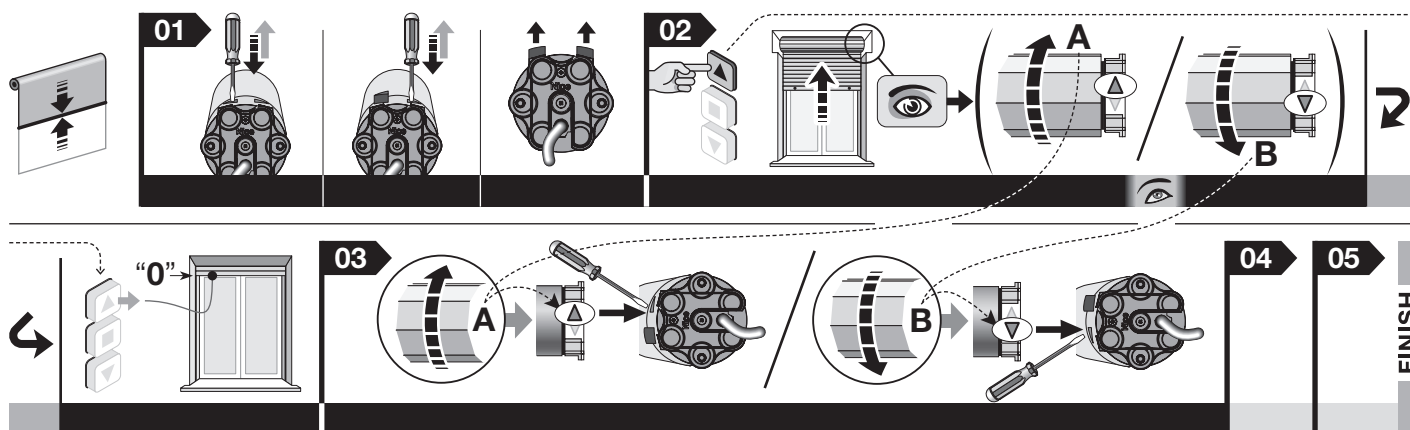
5.5 - Programmering van de twee eindaanslagen

Tijdens de bewegingen omhoog en omlaag stopt de motor het rolluik (of scherm) automatisch wanneer het rolluik (of scherm) een eindaanslagpositie bereikt (**afb. 4**): stand "0" = rolluik (of scherm) helemaal opgerold; stand "1" = rolluik (of scherm) helemaal afgerold. Voor het programmeren van deze standen gaat u als volgt te werk.

Waarschuwingen:

- Via de twee pijlknoppen op de kop van de motor kunnen de twee eindaanslagen geprogrammeerd worden. De motor wordt standaard geleverd met deze **knoppen ingedrukt**, wat betekent dat de eindaanslagen al op willekeurige hoogten geprogrammeerd zijn. Als u deze hoogten wil afstellen op basis van de specifieke kenmerken van uw rolluik (of scherm), past u de volgende procedure toe.
- Bij punt 02 van de procedure kan de **eerste hoogte** die geprogrammeerd moet worden, vrij worden gekozen op basis van de eigen behoeften.

- Verzekert u ervan dat de pijlknoppen op de kop van de motor niet zijn ingedrukt en dus volledig uit het oppervlak van de motor uitsteken. Als de knoppen op het niveau van het oppervlak liggen (ingedrukt), maakt u elk knop los met behulp van een schroevendraaier.
- Gebruik het wandknoppenpaneel om het rolluik (of scherm) naar de gewenste hoogte voor de eindaanslag te brengen (in het voorbeeld is eindaanslag Boven, "0" weergegeven). **BELANGRIJK! – let er tijdens de manoeuvre op in welke richting de wikkelrol draait en lokaliseer op de kop van de motor de knop met de pijl in dezelfde richting waarin de rol draait.** Blokkeer vervolgens de manoeuvre. **Opmerking** – Voor eventuele fijnafstelling van de hoogte gebruikt u de twee knoppen van het wandknoppenpaneel.
- Ten slotte slaat u de hoogte in het geheugen op door de eerder gelokaliseerde pijlknop op de kop van de motor helemaal in te drukken (met behulp van een schroevendraaier): deze **moet in de ingedrukte stand geblokkeerd blijven**.
- Voor de afstelling van de andere eindaanslag gebruikt u het wandknoppenpaneel om het rolluik (of scherm) naar de gewenste hoogte voor de eindaanslag te brengen.
- Ten slotte slaat u de hoogte in het geheugen op door de andere, nog niet gebruikte pijlknop op de kop van de motor helemaal in te drukken (met behulp van een schroevendraaier): deze **moet in de ingedrukte stand geblokkeerd blijven**.



5.6 - Als u slechts een van de twee in het geheugen opgeslagen eindaanslaghoogten wilt wijzigen

Als u een reeds in het geheugen opgeslagen eindaanslag wilt wijzigen (zonder de andere eindaanslag te wijzigen), gaat u als volgt te werk:

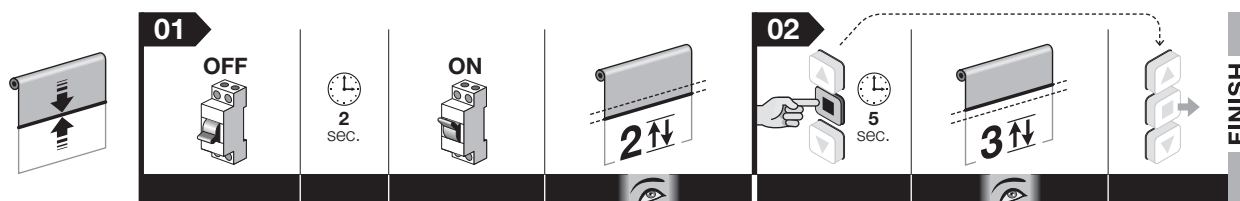
- Gebruik het wandknoppenpaneel om het rolluik (of scherm) enkele centimeters in de richting van de te wijzigen eindaanslag te brengen: **let er tijdens de manoeuvre op in welke richting de wikkelrol draait en lokaliseer op de kop van de motor de knop met de pijl in dezelfde richting waarin de rol draait** en blokkeer de manoeuvre.
- (op de kop van de motor) Druk, als het rolluik (of het scherm) stilstaat, op de knop met de pijl (die u zojuist heeft gevonden) en gebruik hiervoor een schroevendraaier. **De knop moet omhoog blijven**.
- Voltooi de bij punt 1 onderbroken manoeuvre met behulp van het wandknoppenpaneel en breng het rolluik (of scherm) naar de nieuwe hoogte voor de eindaanslag. **Opmerking** – Voor eventuele fijnafstelling van de hoogte gebruikt u de twee knoppen van het wandknoppenpaneel.
- (op de kop van de motor) Sla de nieuwe hoogte, terwijl het rolluik (of scherm) stilstaat bij de eindaanslag, in het geheugen op door de eerder op de kop van de motor gelokaliseerde pijlknop helemaal in te drukken (met behulp van een schroevendraaier): **deze moet in de verlaagde stand geblokkeerd blijven**.

5.7 - Geheugenopslag van de EERSTE zender

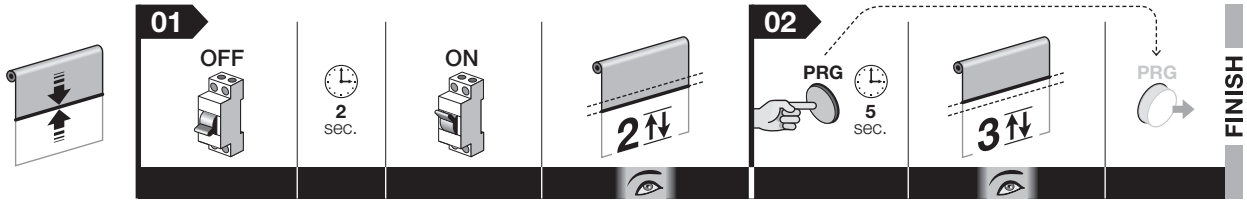
Waarschuwing – Steeds wanneer de voeding naar de motor wordt ingeschakeld, worden er 2 bewegingen uitgevoerd, indien er niet ten minste één zender en de hoogten voor de eindaanslagen zijn opgeslagen.

Voordat u met de procedure begint, rolt u het rolluik (of het scherm) half af.

- Schakel de elektrische voeding naar de motor uit; wacht 2 seconden en schakel de voeding weer in: de motor voert 2 bewegingen uit.
- Houd de toets **■** ingedrukt en wacht tot de motor 3 bewegingen heeft uitgevoerd. Laat ten slotte de toets los.



Opmerking – Na de geheugenopslag, zijn de richtingen voor Omhoog en Omlaag van het rolluik (of het scherm) nog niet gekoppeld aan de respectieve toetsen **▲** en **▼** van de zender.



5.8 - Koppeling van de richtingen voor omhoog en omlaag van het rolluik (of het scherm) aan de respectieve toetsen ▲ en ▼ van de bedieningsinrichting

Deze procedure kan uitsluitend worden uitgevoerd met een zender die is opgeslagen in "Modus I".

Voordat u met de procedure begint, rolt u het rolluik (of het scherm) half af.

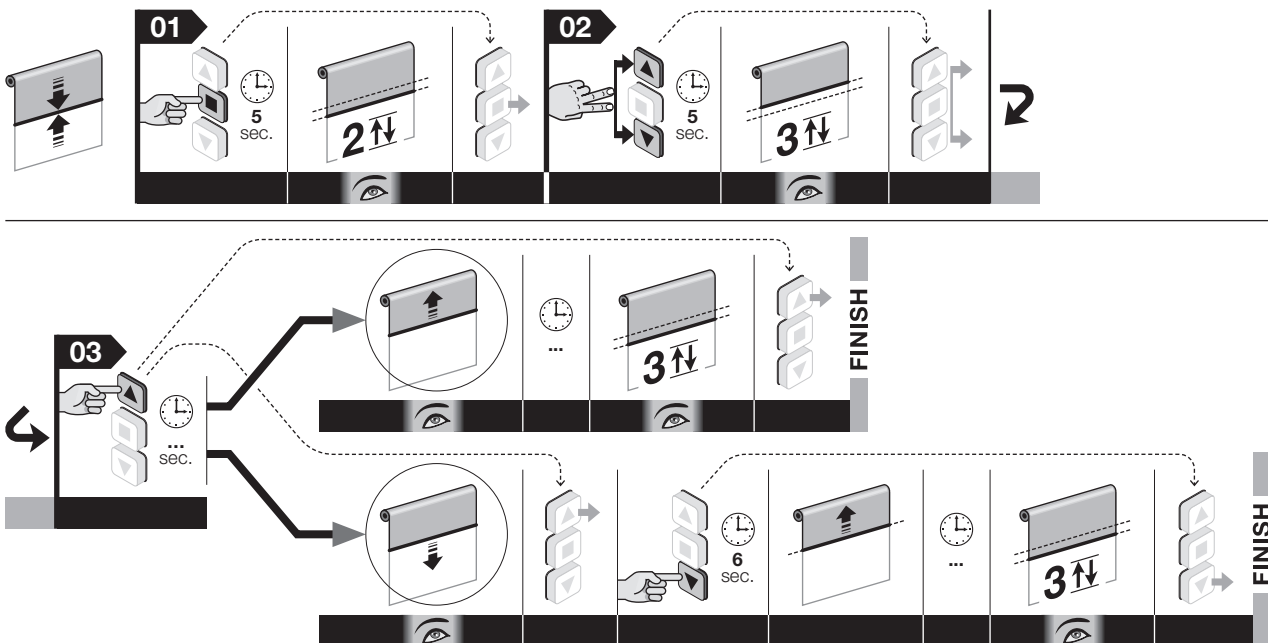
01. Houd de toets ■ ingedrukt en wacht tot de motor 2 bewegingen heeft uitgevoerd. Laat ten slotte de toets los.

02. Houd de toetsen ▲ en ▼ tegelijkertijd ingedrukt en wacht tot de motor 3 bewegingen heeft uitgevoerd. Laat ten slotte de toetsen los.

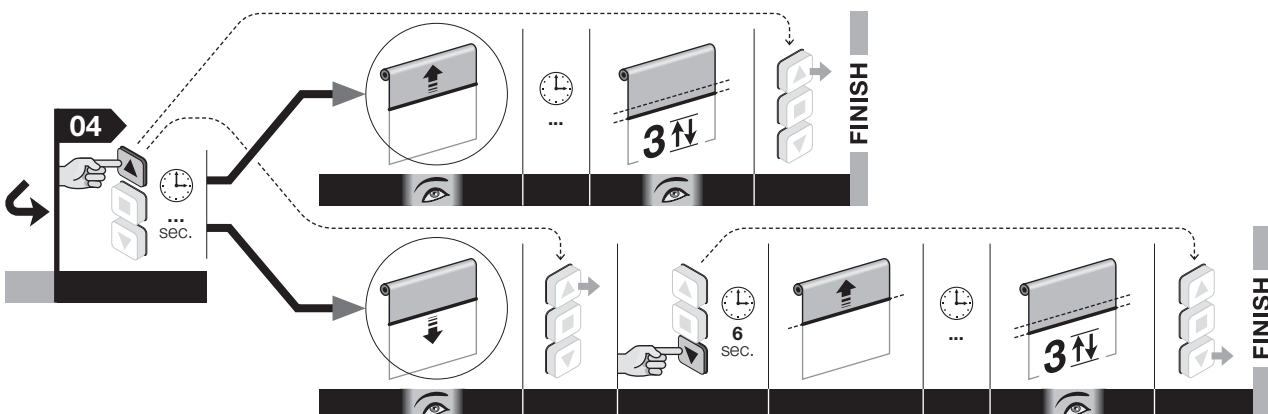
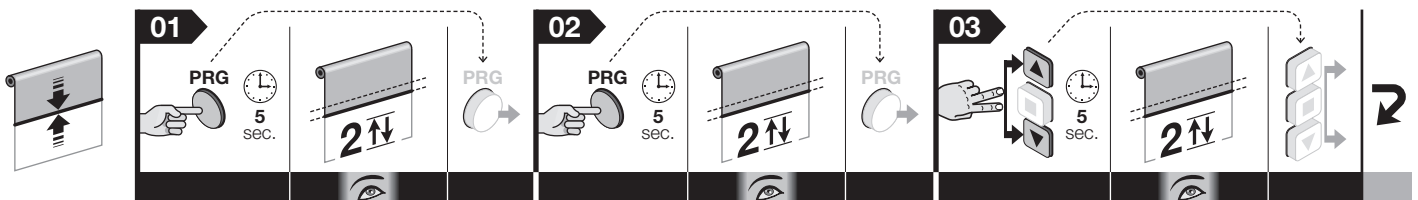
03. Houd de toets ▲ ingedrukt en...

• als het rolluik (of het scherm) **OMHOOG** gaat, houd dan de toets ▲ ingedrukt en wacht tot de motor 3 bewegingen heeft uitgevoerd. Laat ten slotte de toets los.

• als het rolluik (of het scherm) **OMLAAG** gaat, laat dan de toets ▲ los en houd de toets ▼ ingedrukt terwijl u wacht tot de motor 3 bewegingen heeft uitgevoerd. Laat ten slotte de toets los.



Opmerking – Tijdens de uitvoering van de procedure kan de programmering op elk gewenst moment geannuleerd worden door de toetsen ■ en ▼ gedurende 4 seconden tegelijkertijd ingedrukt te houden. Als alternatief kunt u ook op geen enkele toets drukken en 60 seconden wachten tot de motor 6 bewegingen uitvoert.



5.9 - Geheugenopslag van een TWEEDE (of derde, vierde, etc.) zender

Voor de uitvoering van de procedures moet u beschikken over een andere zender die al in het geheugen is opgeslagen ("oud").

5.9.1 - Geheugenopslag van een tweede zender in "Modus I"

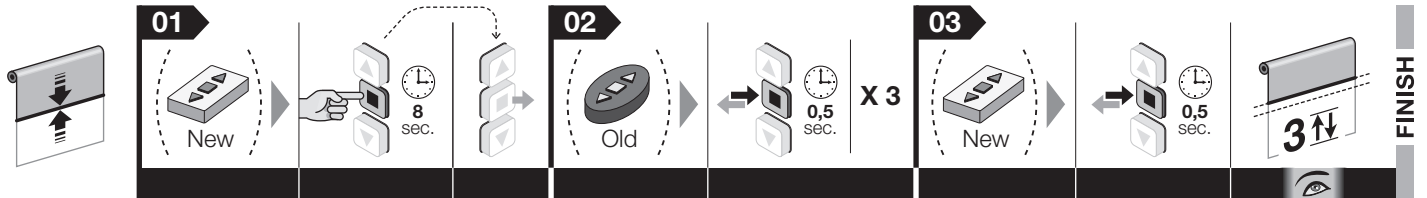
Let op! – Met de procedure wordt de nieuwe zender in "Modus I" in het geheugen opgeslagen, onafhankelijk van de modus waarin de oude zender in het geheugen is opgeslagen.

Voordat u met de procedure begint, rolt u het rolluik (of het scherm) half af.

01. (op de nieuwe zender) Houd toets **■** gedurende 8 seconden ingedrukt en laat deze vervolgens los (in dit geval voert de motor geen beweging uit).

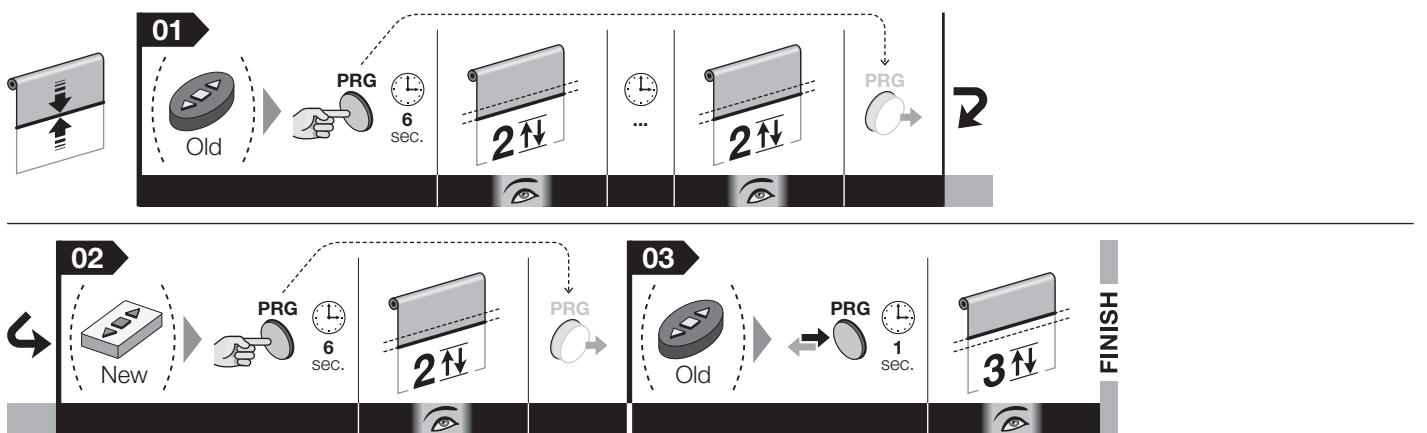
02. (op de oude zender) Druk 3 keer op de toets **■**, mits het wordt opgeslagen.

03. (op de nieuwe zender) Druk éénmaal op de toets **■** om de procedure te beëindigen. Na enkele ogenblikken voert de motor 3 bewegingen uit ter bevestiging van de geheugenopslag. **Let op!** – Als de motor 6 bewegingen uitvoert, betekent dit dat het geheugen van de motor vol is.



Opmerking – Tijdens de uitvoering van de procedure kan de programmering op elk gewenst moment geannuleerd worden door de toetsen **■** en **▲** gedurende 4 seconden tegelijkertijd ingedrukt te houden. Als alternatief kunt u ook op geen enkele toets drukken en 60 seconden wachten tot de motor 6 bewegingen uitvoert.

— Procedure 5.9.1 — haalbaar alleen met een zender van de serie Era P en Era W



5.9.2 - Geheugenopslag van een tweede zender in "Modus II"

Let op! – Met de procedure wordt de nieuwe zender in "Modus II" in het geheugen opgeslagen, onafhankelijk van de modus waarin de toets waarop men op de oude zender drukte, in het geheugen is opgeslagen.

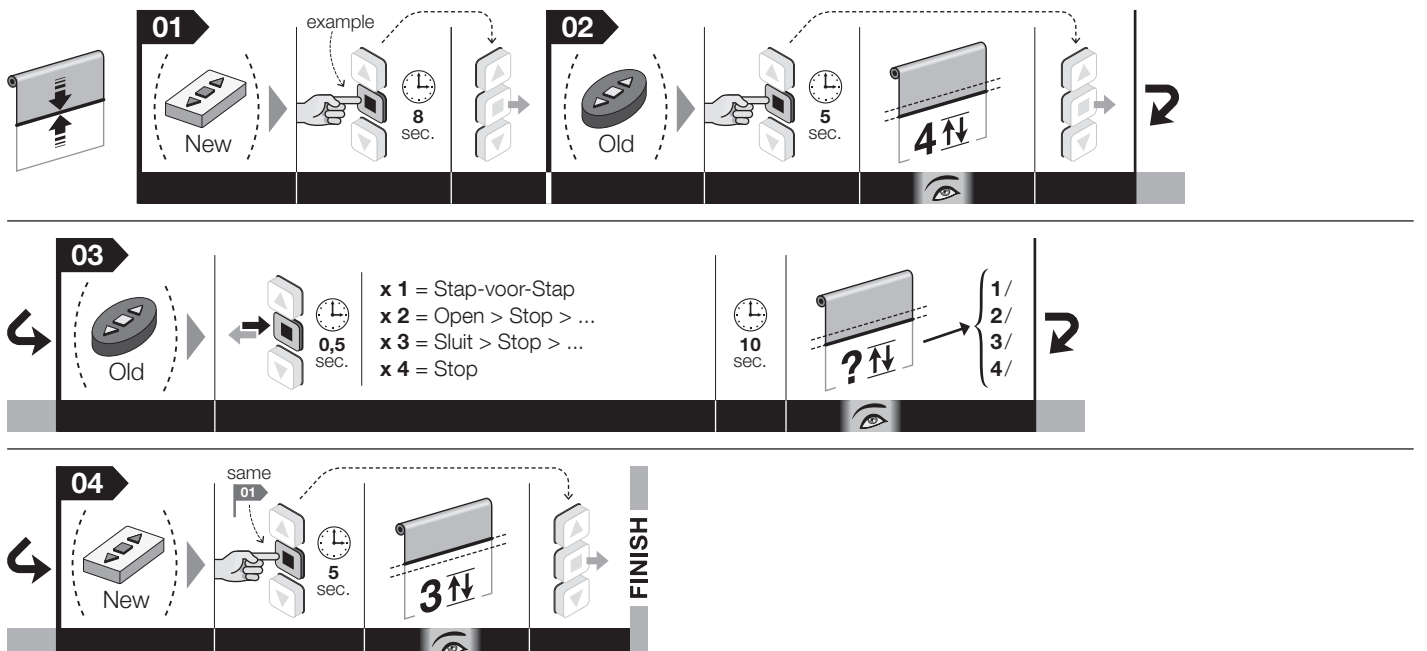
Voordat u met de procedure begint, rolt u het rolluik (of het scherm) half af.

01. (op de nieuwe zender) Druk op de toets die u aan een van de beschikbare functies wilt koppelen en houd hem ingedrukt. Laat de toets na 8 seconden los (in dit geval voert de motor geen beweging uit).

02. (op de oude zender) Houd de toets **■** ingedrukt en wacht tot de motor 4 bewegingen heeft uitgevoerd. Laat ten slotte de toets los.

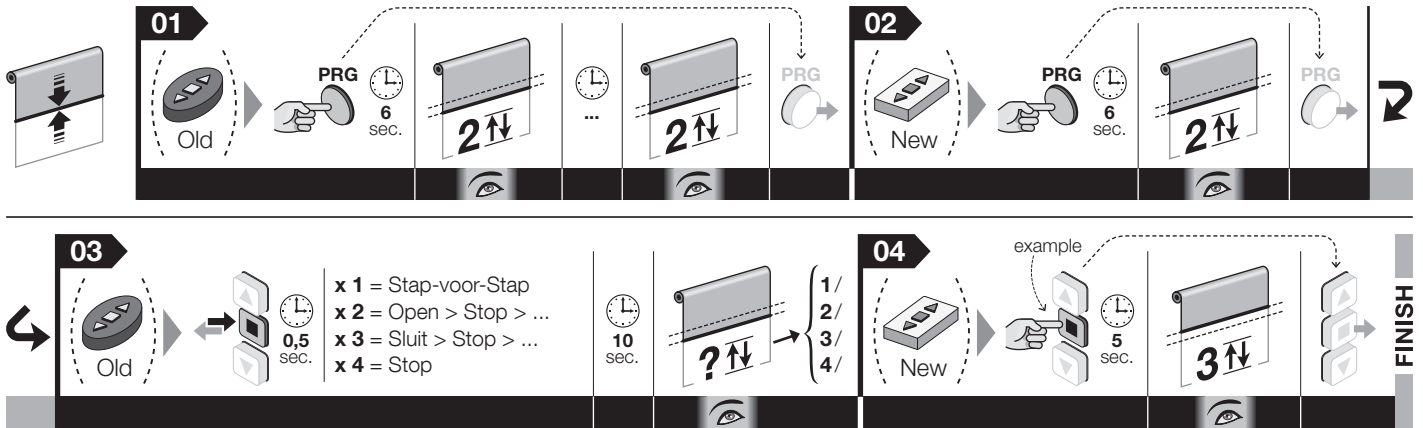
03. (op de oude zender) Druk een aantal keer kort op de toets **■**, al naar gelang de instructie die u in het geheugen wilt opslaan: • **1 keer drukken = instructie Stap-voor-stap** • **2 keer drukken = instructie Open > Stop > Open > Stop > ...** • **3 keer drukken = instructie Sluit > Stop > Sluit > Stop > ...** • **4 keer drukken = instructie Stop**. Na ongeveer 10 seconden voert de motor een aantal bewegingen uit, dat gelijk is aan het aantal keer dat er op de zender op een toets is gedrukt.

04. (op de nieuwe zender) Houd de toets ingedrukt die u aan de gekozen functie wilt koppelen en wacht tot de motor 3 bewegingen heeft uitgevoerd. Laat ten slotte de toets los. **Let op!** – Als de motor 6 bewegingen uitvoert, betekent dit dat het geheugen vol is.



Opmerking – Tijdens de uitvoering van de procedure kan de programmering op elk gewenst moment geannuleerd worden door de toetsen ■ en ▲ gedurende 4 seconden tegelijkertijd ingedrukt te houden. Als alternatief kunt u ook op geen enkele toets drukken en 60 seconden wachten tot de motor 6 bewegingen uitvoert.

— Procedure 5.9.2 — haalbaar alleen met een zender van de serie Era P en Era W



5.10 - Het geheugen volledig of gedeeltelijk wissen

Bij deze procedure kunt u bij punt_05 aangeven welke gegevens u wilt wissen.

5.10.1 - Procedure uitgevoerd met een zender die in het geheugen is opgeslagen in "Modus I"

Voordat u met de procedure begint, rolt u het rolluik (of het scherm) half af.

01. Houd de toets ■ ingedrukt en wacht tot de motor 2 bewegingen heeft uitgevoerd. Laat ten slotte de toets los.

02. Houd de toets ▲ ingedrukt en wacht tot de motor 3 bewegingen heeft uitgevoerd. Laat ten slotte de toets los.

03. Houd de toets ■ ingedrukt en wacht tot de motor 3 bewegingen heeft uitgevoerd. Laat ten slotte de toets los.

04. Houd de toets ▼ ingedrukt en wacht tot de motor 3 bewegingen heeft uitgevoerd. Laat ten slotte de toets los.

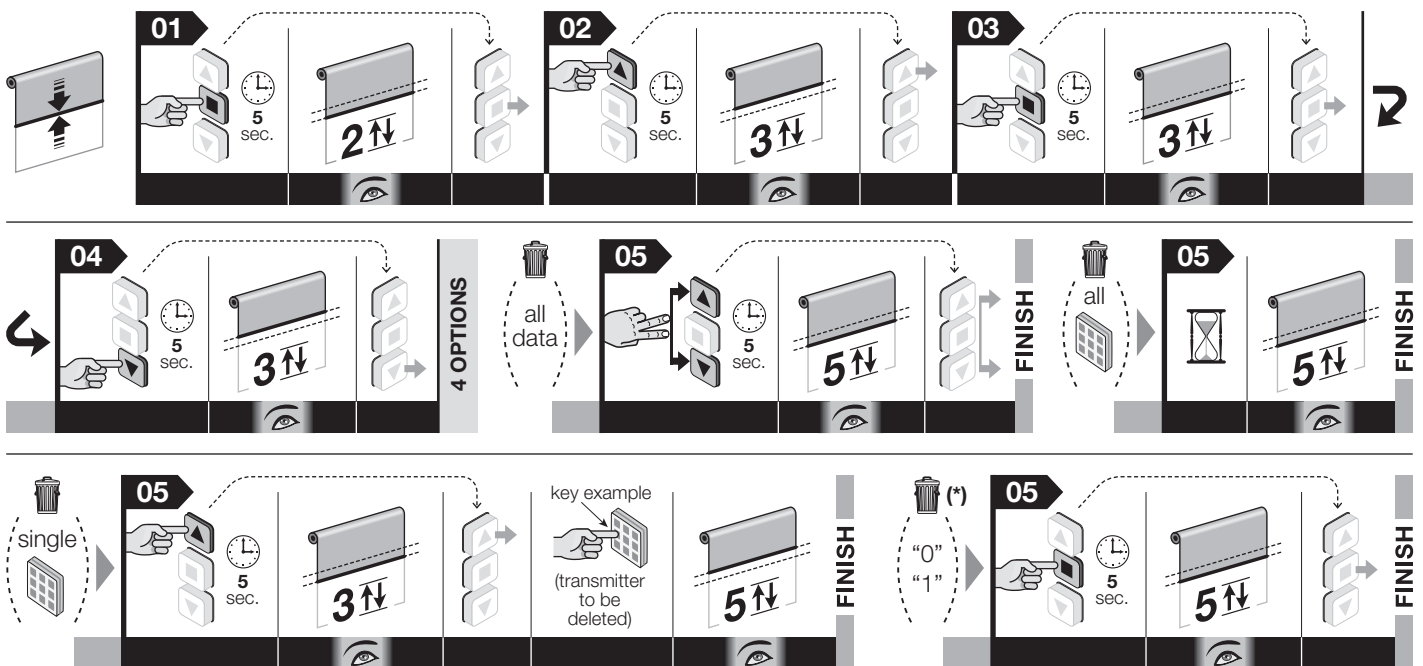
05. • **Het volledige geheugen wissen:** houd de toetsen ▲ en ▼ tegelijkertijd ingedrukt en wacht tot de motor 5 bewegingen heeft uitgevoerd.

Laat ten slotte de toetsen los.

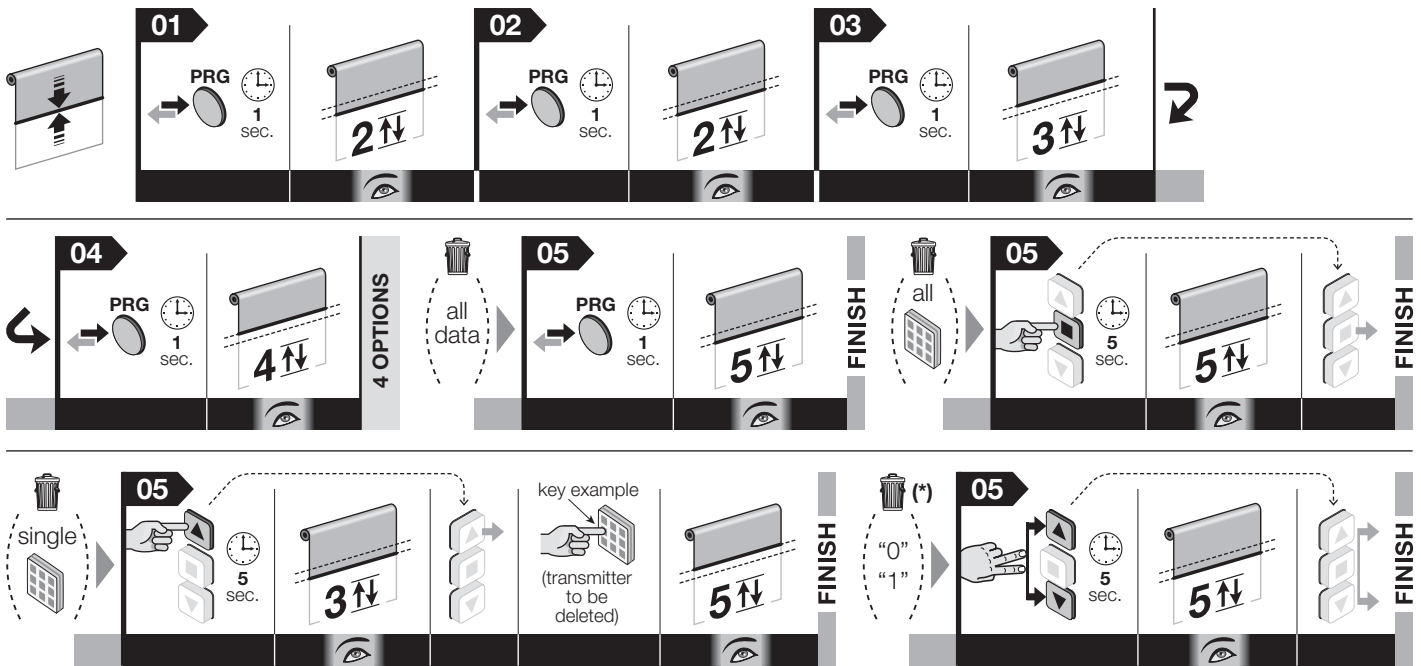
• **Alle in het geheugen opgeslagen zenders wissen:** p geen enkele toets drukken en 60 seconden wachten tot de motor 5 bewegingen uitvoert.

• **Alleen één in het geheugen opgeslagen zender wissen:** houd de toets ▲ ingedrukt en wacht tot de motor 3 bewegingen heeft uitgevoerd. Laat daarna de toets los. Druk ten slotte op de toets van de zender die u wilt verwijderen: de motor voert 5 bewegingen uit.

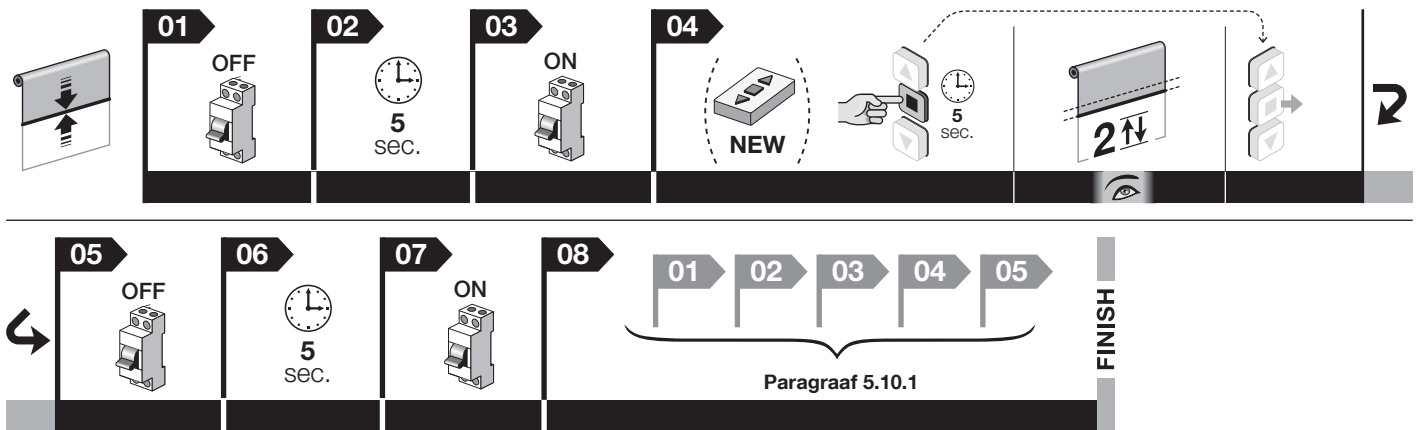
• **Om alleen de parameters te wissen:** houd de toets ■ ingedrukt en wacht tot de motor 5 bewegingen heeft uitgevoerd. Laat ten slotte de toets los.



Opmerking – Tijdens de uitvoering van de procedure kan de programmering op elk gewenst moment geannuleerd worden door de toetsen ■ en ▼ gedurende 4 seconden tegelijkertijd ingedrukt te houden. Als alternatief kunt u ook op geen enkele toets drukken en 60 seconden wachten tot de motor 6 bewegingen uitvoert.



5.10.2 - Procedure uitgevoerd met een zender die niet in het geheugen is opgeslagen

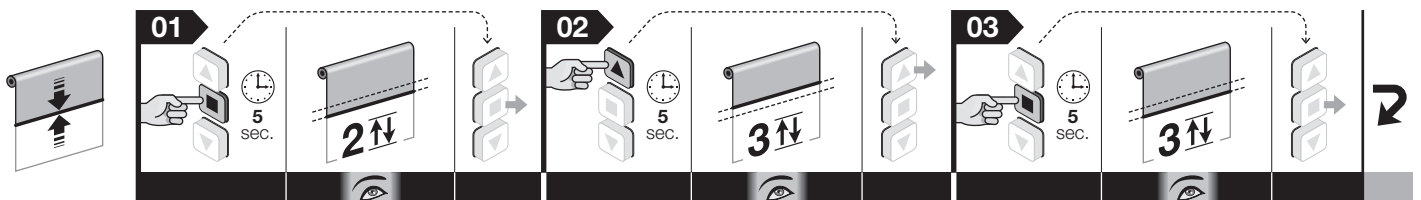


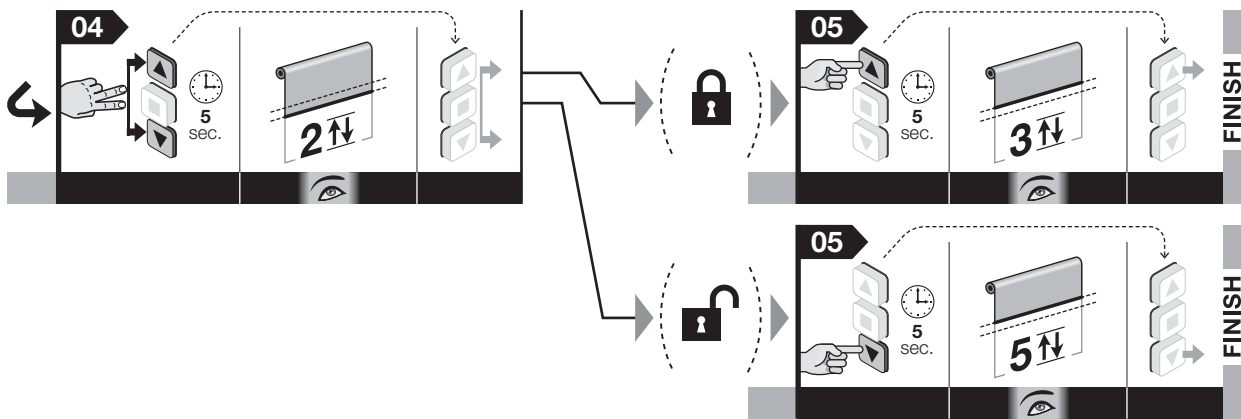
5.11 - Vergrendeling of ontgrendeling van het geheugen

Met deze procedure kunt u het geheugen van de motor vergrendelen of ontgrendelen, om te voorkomen dat andere zenders, die niet voorzien zijn voor de inrichting, onbedoeld in het geheugen worden opgeslagen.

Voordat u met de procedure begint, rolt u het rolluik (of het scherm) half af.

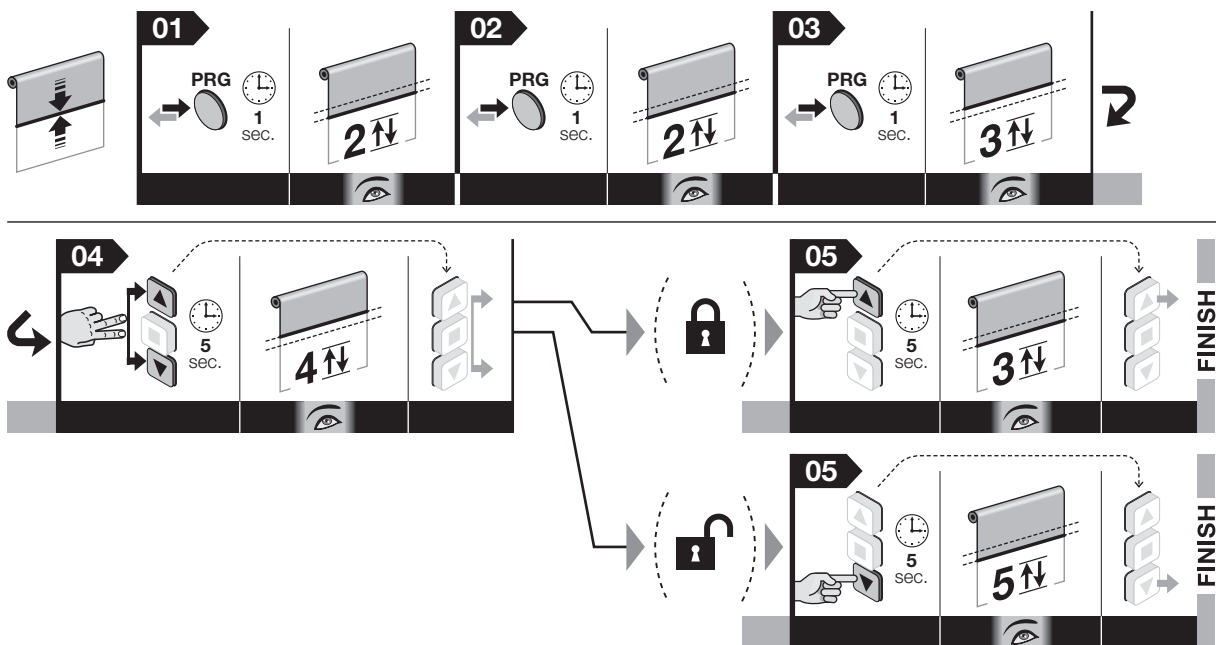
01. Houd de toets ■ ingedrukt en wacht tot de motor 2 bewegingen heeft uitgevoerd. Laat ten slotte de toets los.
02. Houd de toets ▲ ingedrukt en wacht tot de motor 3 bewegingen heeft uitgevoerd. Laat ten slotte de toets los.
03. Houd de toets ■ ingedrukt en wacht tot de motor 3 bewegingen heeft uitgevoerd. Laat ten slotte de toets los.
04. Houd de toetsen ▲ en ▼ tegelijkertijd ingedrukt en wacht tot de motor 2 bewegingen heeft uitgevoerd. Laat ten slotte de toetsen los.
05. • Om het geheugen te vergrendelen: houd de toets ▲ ingedrukt en wacht tot de motor 3 bewegingen heeft uitgevoerd. Laat ten slotte de toets los.
• Om het geheugen te ontgrendelen: houd de toets ▼ ingedrukt en wacht tot de motor 5 bewegingen heeft uitgevoerd. Laat ten slotte de toets los.





Opmerking – Tijdens de uitvoering van de procedure kan de programmering op elk gewenst moment geannuleerd worden door de toetsen ■ en ▼ gedurende 4 seconden tegelijkertijd ingedrukt te houden. Als alternatief kunt u ook op geen enkele toets drukken en 60 seconden wachten tot de motor 6 bewegingen uitvoert.

— Procedure 5.11 — haalbaar alleen met een zender van de serie Era P en Era W



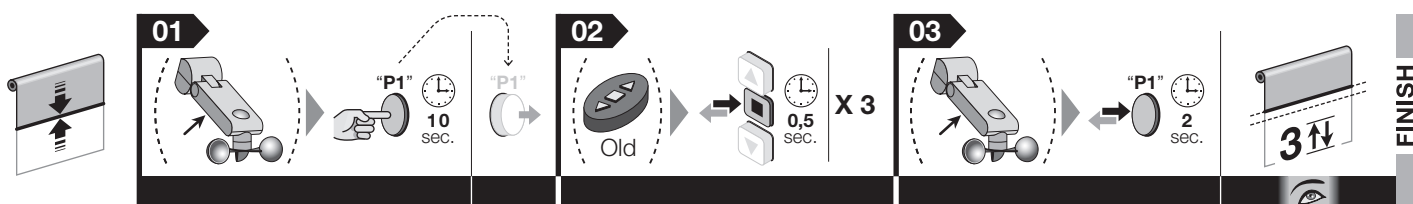
PROCEDURES VOOR ACCESSOIRES (zie Hoofdstuk 6)

5.12 - Geheugenopslag van een draadloos aangesloten klimaatsensor (zie paragraaf 6.1.2)

Voor de uitvoering van de procedure moet u beschikken over een zender die in het geheugen is opgeslagen in "Modus I".

Voordat u met de procedure begint, rolt u het rolluik (of het scherm) half af.

- 01. (op de klimaatsensor) Houd de gele toets gedurende 10 seconden ingedrukt en laat deze vervolgens los (in dit geval voert de motor geen beweging uit).
- 02. (op de oude zender) Druk 3 keer op de toets ■, die overigens wel in het geheugen opgeslagen moet zijn.
- 03. (op de klimaatsensor) Houd de gele toets gedurende 2 seconden ingedrukt: de motor voert 3 bewegingen uit om te bevestigen dat het opslaan is gelukt. **Let op!** – Als de motor 6 bewegingen uitvoert, betekent dit dat het geheugen van de motor vol is.

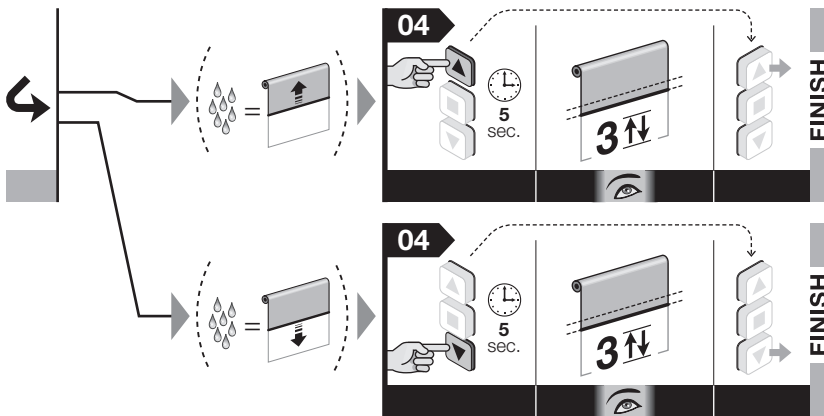
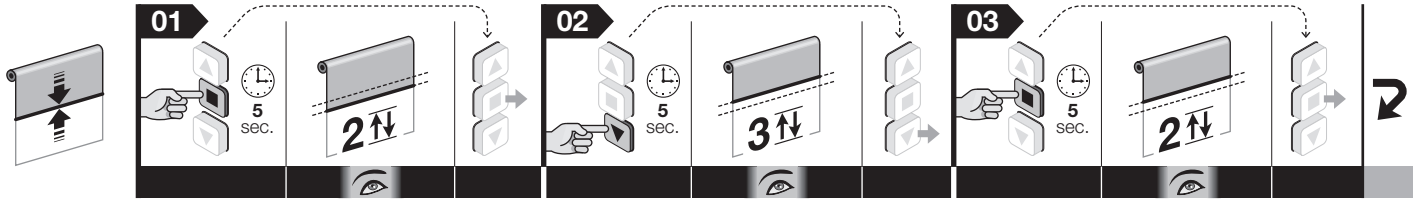


Opmerking – Tijdens de uitvoering van de procedure kan de programmering op elk gewenst moment geannuleerd worden door de toetsen ■ en ▼ gedurende 4 seconden tegelijkertijd ingedrukt te houden. Als alternatief kunt u ook op geen enkele toets drukken en 60 seconden wachten tot de motor 6 bewegingen uitvoert.

5.13 - Programmering de beweging (Omhoog of Omlaag), die de motor automatisch moet uitvoeren, wanneer het begint te regenen (zie paragraaf 6.1.4)

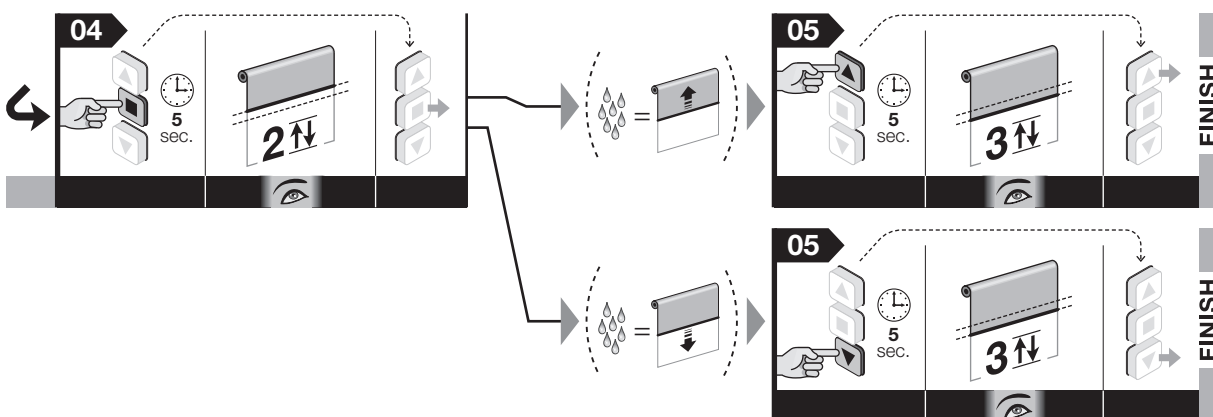
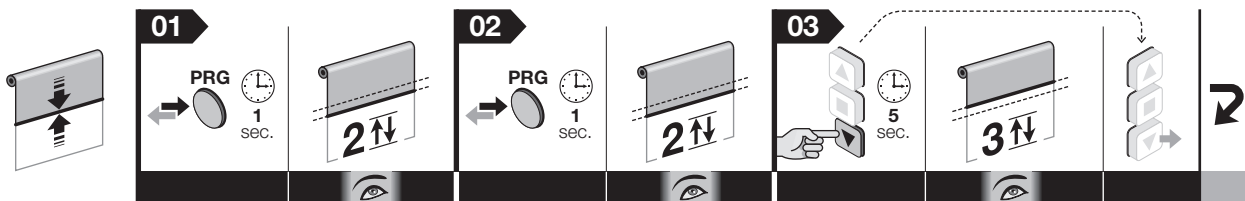
Voordat u met de procedure begint, rolt u het rolluik (of het scherm) half af.

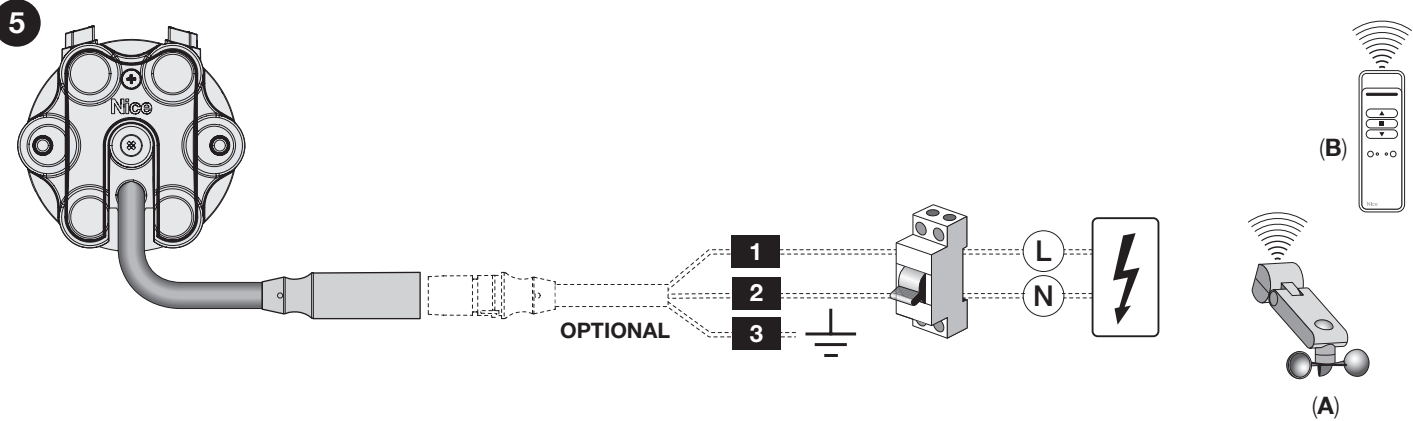
01. Houd de toets **■** ingedrukt en wacht tot de motor 2 bewegingen heeft uitgevoerd. Laat ten slotte de toets los.
02. Houd de toets **▼** ingedrukt en wacht tot de motor 3 bewegingen heeft uitgevoerd. Laat ten slotte de toets los.
03. Houd de toets **■** ingedrukt en wacht tot de motor 2 bewegingen heeft uitgevoerd. Laat ten slotte de toets los.
04. Programmeer de beweging, die de motor automatisch moet uitvoeren, wanneer het begint te regenen, door uit een van de volgende opties te kiezen:
 - voor programmeren de **Omhoog** van de het scherm (of van de rolluik): houd de toets **▲** ingedrukt en wacht tot de motor 3 bewegingen heeft uitgevoerd. Laat ten slotte de toets los.
 - voor programmeren de **Omlaag** van de het scherm (of van de rolluik): houd de toets **▼** ingedrukt en wacht tot de motor 3 bewegingen heeft uitgevoerd. Laat ten slotte de toets los.



Opmerking – Tijdens de uitvoering van de procedure kan de programmering op elk gewenst moment geannuleerd worden door de toetsen **■** en **▼** gedurende 4 seconden tegelijkertijd ingedrukt te houden. Als alternatief kunt u ook op geen enkele toets drukken en 60 seconden wachten tot de motor 6 bewegingen uitvoert.

— Procedure 5.13 — haalbaar alleen met een zender van de serie Era P en Era W





• **KABELS:** 1) Bruin; 2) Blauw; 3) Geel-groen.

• **ACCESSOIRES:** A) Klimaatsonoren (draadloos); B) Draagbare zenders (draadloos).

6 OPTIONELE ACCESSOIRES

6.1 - Klimaatsonoren voor wind, zon, regen

LET OP! – Er kunnen alleen draadloze sensoren worden gebruikt. Deze accessoires sturen de bewegingen van het scherm (of rolluik) op autonome wijze aan op basis van de weersomstandigheden die buiten worden gedetecteerd.

Waarschuwing – De klimaatsonoren moeten niet worden beschouwd als beveiligingsinrichtingen die storingen van het rolluik kunnen verhelpen die zijn veroorzaakt door hevige regen of wind; een simpel geval van stroomuitval zou de automatische beweging van het rolluik immers al onmogelijk maken. Deze sensoren moeten dus worden beschouwd als onderdeel van een automatisme, dat bijdraagt aan de beveiliging van het scherm (of rolluik). Nice wijst elke aansprakelijkheid af voor materiële schade ten gevolge van atmosferische condities die niet door de sensoren gedetecteerd worden.

6.1.1 - Definities en conventies

- **Handmatige instructie "Zon aan"** = hiermee wordt de ontvangst door de motor geactiveerd van automatische instructies die door de zonsensor worden verzonden, als deze deel uitmaakt van de installatie. Gedurende de periode waarin de ontvangst geactiveerd is, kan de gebruiker op elk gewenst moment handmatige instructies verzenden: deze hebben voorrang op de automatische werking van de automatisering.
- **Handmatige instructie "Zon uit"** = hiermee wordt de ontvangst door de motor gedeactiveerd van automatische instructies die door de zonsensor worden verzonden, als deze deel uitmaakt van de installatie. Gedurende de periode waarin de ontvangst gedeactiveerd is, werkt de automatisering alleen op basis van handmatige instructies die door de gebruiker worden verzonden. De sensoren voor wind en regen kunnen niet worden uitgeschakeld, aangezien deze dienen ter bescherming van de automatisering tegen deze weersverschijnselen.
- **Intensiteit "Boven drempel" van zon/wind** = conditie waarbij de intensiteit van het weersverschijnsel hoger is dan de waarde die is ingesteld als drempel.
- **Intensiteit "Onder drempel" van zon/wind** = conditie waarbij de intensiteit van het weersverschijnsel lager is dan de waarde die is ingesteld als drempel.
- **"Windbescherming"** = conditie waarbij het systeem alle instructies voor het openen van het scherm (of het rolluik) tegenhoudt vanwege de windkracht "Boven drempel".
- **"Regen gedetecteerd"** = conditie waarbij het systeem regen detecteert, in tegenstelling tot de eerder geldende conditie "geen regen".
- **"Handmatige instructie"** = instructie voor Omhoog, Omlaag of Stop, die de gebruiker met een zender verzendt.

6.1.2 - Geheugenopslag van een draadloos aangesloten klimaatsonor

Om een klimaatsonor opslaan, voer de procedure 5.12.

6.1.3 - Werking van de motor bij de afzonderlijke weersomstandigheden

Met de accessoires NEMO en VOLO kan het scherm (of het rolluik) geautomatiseerd worden naargelang de weersomstandigheden. Voor de instelling van de activeringsniveaus, zie de handleiding van de producten Nemo en Volo.

• Werking van het automatisme bij de zonsensor: **afb. 7**

Wanneer de intensiteit van het zonlicht gedurende minstens 2 minuten de ingestelde drempel overschrijdt ("boven zonlichtdrempel"), voert de motor zelfstandig een beweging naar beneden uit. Wanneer de intensiteit van het zonlicht onder de ingestelde hysteresisdrempel ("onder zonlichtdrempel") komt en er minstens 15 minuten achtereen blijft, voert de motor zelfstandig een beweging naar boven uit. **Opmerking** – de hysteresisdrempel wordt op circa 50% van de waarde van de ingestelde zonlichtdrempel gezet.

Momentane dalingen van het zonlicht, die even duren of in ieder geval korter dan 15 minuten, hebben geen invloed op de gehele cyclus. De handmatige instructies van de gebruiker hebben voorrang op de automatische instructies.

In de fabriek is de activeringsgrens van de zonsensor ingesteld op niveau 3 (= 15 Klux). Als u deze waarde wilt wijzigen, volg dan procedure 5.16.

• Werking van het automatisme bij de regensensor: **afb. 8**

De regensensor kent twee condities: "afwezigheid regen" en "aanwezigheid regen". Wanneer de motor de signalering "aanwezigheid regen" ontvangt, activeert hij automatisch de manoeuvre (omhoog of omlaag) die de installateur heeft geprogrammeerd voor deze conditie (*). De regensensor wordt automatisch uitgeschakeld wanneer hij heeft waargenomen dat het gedurende ten minste 15 minuten niet geregend heeft.

(*) - Volg procedure 5.13 voor het programmeren van de beweging die de motor automatisch moet uitvoeren wanneer hij het signaal "aanwezigheid regen" ontvangt van de regensensor.

Het regenautomatisme wordt gedeactiveerd nadat de sensor heeft vastgesteld dat het gedurende ten minste 15 minuten niet heeft geregend. De handmatige instructies zijn, zoals ook in dit geval geldt, altijd actief en hebben voorrang op automatisch gegenereerde instructies. Als de handmatige instructie ingaat tegen de autonome instructie, genereert de automatisering de handmatige instructie en start tegelijkertijd een timer van 15 minuten. Als deze afloopt wordt de automatische, geprogrammeerde instructie uitgevoerd (bijvoorbeeld het sluiten van het scherm of rolluik).

Voorbeeld: 1 Het scherm (of rolluik) is open. **2** Het begint te regenen. **3** Het scherm (of rolluik) sluit. **4** De gebruiker besluit het na enkele ogenblikken te openen. **5** Het scherm (of rolluik) gaat weer open. **6** 15 minuten nadat het scherm (of rolluik) open is gegaan, sluit het weer automatisch. **7** Het stopt minstens 15 minuten met regenen. **8** De gebruiker opent opnieuw het scherm (of rolluik). **9** Het scherm (of rolluik) blijft open.

• Werking van het automatisme bij de windsensor: **afb. 9**

Wanneer de windkracht de ingestelde drempel overschrijdt, activeert het systeem de windbescherming en laat het systeem het scherm (of het rolluik) automatisch omhoogkomen. Wanneer de windbescherming ingeschakeld is, worden de handmatige instructies gedeactiveerd (het is niet mogelijk om het scherm of het rolluik te laten zakken). Wanneer de blokkeringsduur afgelopen is, kunnen er weer handmatige instructies worden gegeven en wordt na 10 minuten de automatische werking hersteld.

In de fabriek is de activeringsgrens van de windsensor ingesteld op niveau 3 (= wind van 15 km/u). Als u deze waarde wilt wijzigen, volg dan procedure 5.17.

• Tegelijkertijd optreden van verschillende weersverschijnselen

Elk weersverschijnsel heeft een prioriteit. De prioriteit is als volgt opgebouwd: wind, regen, zon. Wind heeft de hoogste prioriteit. Het weersverschijnsel met de hogere prioriteit doet de status van het weersverschijnsel met de lagere prioriteit teniet.

Voorbeeld: 1 Op een mooie, zonnige dag gaat het scherm (of rolluik) omlaag vanwege het zonlicht. **2** Als het bewolkt wordt en er wat regen op de sensor valt, annuleert de motor de conditie "zon gedetecteerd" en geeft opdracht tot de beweging die is ingesteld voor de conditie "regen gedetecteerd". **3** Als de windkracht toeneemt en de ingestelde drempel overschrijdt, deactiveert de motor de automatische sequentie die voor de regen is ingesteld en geeft hij opdracht tot het omhooggaan van het

scherm (of rolluik) en houdt het gesloten tot de wind is gaan liggen. **4)** Als het slechte weer voorbij is, wordt na 10 minuten het windalarm uitgeschakeld en, als het op dat moment nog regent, worden die conditie en de bijbehorende ingestelde beweging opnieuw geactiveerd. Als het stopt met regenen wordt de werking voor de zon weer geactiveerd. Als de zonlichtintensiteit de drempel overschrijdt zal het scherm (of rolluik) weer opengaan. Wanneer de zonlichtintensiteit tot onder de drempelwaarde daalt, wordt er na 15 minuten een instructie voor het omhooggaan afgegeven.

• Instructies “Zon aan” en “Zon uit”

De instructie “Zon aan” activeert de werking van het automatisme en de instructie “Zon uit” deactiveert de werking. Als de gebruiker de instructie “Zon aan” (automatische geactiveerd) verstuurt en er is op dat moment zon, dan geeft het systeem opdracht tot het openen van het scherm (of rolluik). Als het automatisme al geactiveerd was, dan wordt bij het opnieuw versturen van de instructie “Zon aan” het systeem gereset en starten de algoritmen opnieuw, met onmiddellijke ingang. Als de instructie “Zon aan” wordt verstuurd en de zonlichtintensiteit onvoldoende is en dus het openen niet toestaat (de drempel wordt niet bereikt), dan zal de motor een instructie geven om te sluiten, overeenkomstig de huidige conditie. Als er geen instellingen zijn voor een beweging (bijvoorbeeld scherm (of rolluik) gesloten en geen zon), dan zal bij de instructie “Zon aan” de motor niet bewegen. Door een instructie “Zon uit” te sturen wordt het automatisme gedeactiveerd.

Voorbeeld: het scherm (of rolluik) is gesloten; de instructie “Zon aan” wordt verzonden; als er zon is, opent het scherm (of rolluik) direct zonder 2 minuten te wachten. Door het automatisme te deactiveren wordt de automatische beweging die bij de verschillende zonlichtintensiteiten hoort, geblokkeerd. De automatiseren die bij wind en regen horen kunnen niet worden gedeactiveerd.

6.1.4 - Programmering van de richting waarin het scherm (of rolluik) wordt bewogen bij regen

Als het regent geeft het systeem automatisch opdracht om het scherm (of rolluik) omhoog te doen (fabrieksinstelling). Om deze instelling te wijzigen dient u de procedure 5.13 uit te voeren.

7 WAARSCHUWINGEN MET BETREKKING TOT HET GEBRUIK VAN DE AUTOMATISERING

7.1 - Maximale continue bedrijfscyclus

In het algemeen geldt dat de motoren van de serie “Era” ontworpen zijn voor gebruik in woonomgevingen, en dus voor onregelmatig gebruik. Er wordt een continue gebruiksduur van maximaal 4 minuten gegarandeerd en in geval van oververhitting (bijvoorbeeld ten gevolge van continu en langdurig gebruik) wordt er automatisch een “thermische beveiliging” geactiveerd, die de elektrische voeding onderbreekt en deze pas herstelt als de temperatuur weer binnen het acceptabele bereik valt.

Wat te doen als... (leidraad bij het oplossen van problemen)

- **De motor niet start als er een bewegingsinstructie wordt verzonden of als de knop om een beweging te starten wordt ingedrukt.**
 - a) Controleer of de thermische beveiliging van de motor actief is. In dit geval hoeft u alleen maar te wachten tot de motor is afgekoeld om de normale werking te kunnen hervatten.
 - b) Controleer of er netspanning is en of deze overeenkomt met de waarden op het motorplaatje.
 - c) Controleer of de motor in beide draairichtingen bij de eindaanslagen geblokkeerd wordt. In dit geval hoeft u de hoogten van de eindaanslagen alleen maar opnieuw af te stellen via de procedure uit hoofdstuk 5.5.
 - d) Controleer of de voedingskabel intact is.
- **Als de motor niet automatisch stopt wanneer het rolluik (of het scherm) bij een eindaanslag komt.**
 - a) Verzeker u ervan dat de pijlknoppen op de kop van de motor zijn ingedrukt en zich dus op het niveau van het oppervlak van de motor bevinden.
 - b) Controleer tijdens de manoeuvre of de wikkelrol de ring van de eindaanslag meesleept (**afb. 6-h**).
- **Als tijdens de eerste beweging de posities van de eerder geprogrammeerde eindaanslagen verschuiven.**
 - a) Voer de procedure uit hoofdstuk 5.5 opnieuw uit ter compensatie van de speling tussen de mechanismen.

Als de problemen zich na deze controles blijven voordoen, neemt u contact op met een bevoegd technicus of met het servicecentrum van Nice.

Afdanking van het product

Zoals ook voor de installatiehandelingen geldt, moeten ook de handelingen voor afdanking aan het einde van de bruikbaarheidsperiode van dit product door gekwalificeerd personeel worden uitgevoerd.

Dit product is vervaardigd van verschillende typen materialen: sommige materialen kunnen gerecycled worden, terwijl anderen afgedankt moeten worden. Informeer u over de systemen voor recycling of afdanking die voorzien zijn in de voorschriften die in uw omgeving voor deze productcategorie gelden.

Let op! – bepaalde onderdelen van het product kunnen verontreinigende of gevaarlijke stoffen bevatten die bij aanraking met het milieu schadelijke gevolgen voor het milieu of de volksgezondheid kunnen hebben. Zoals door het hiernaast weergegeven symbool wordt aangegeven, is het verboden om dit product bij het huishoudelijk afval af te voeren. Pas dus “gescheiden afvalinzameling” voor afdanking toe, op basis van de methoden die zijn opgenomen in de voorschriften voor uw omgeving, of draag het product over aan de leverancier op het moment van aanschaf van een nieuw, equivalent product.



Let op! plaatselijk geldende voorschriften kunnen voorzien in zware sancties voor gevallen van illegale afdanking van dit product.

- De afvalverwerking van het verpakkingsmateriaal van het product moet volgens de plaatselijk geldende regels plaatsvinden.

Technische specificaties

Raadpleeg altijd de gegevens op het typeplaatje van de motor.

Opmerkingen: • Alle vermelde technische gegevens hebben betrekking op een omgevingstemperatuur van 20 °C (± 5 °C). • Nice S.p.A. behoudt zich het recht voor om het product te allen tijde en wanneer zij dit nodig acht aan te passen, maar met behoud van dezelfde functionaliteit en gebruiksbestemming.

Vereenvoudigde EG-verklaring van overeenstemming

Hierbij verklaar ik, NICE S.p.A., dat het type radioapparatuur E EASYPLUS M 817 SH, E EASYPLUS M 1517 SH, E EASYPLUS M 3017 SH, conform is met Richtlijn 2014/53/EU.

De volledige tekst van de EG-verklaring van overeenstemming is beschikbaar op de website: <https://www.niceforyou.com/en/support>.

EN - Appendix

IT - Appendice

FR - Appendice

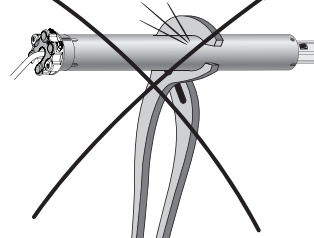
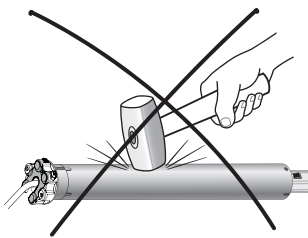
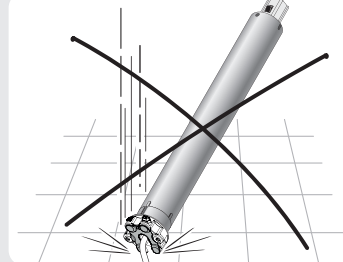
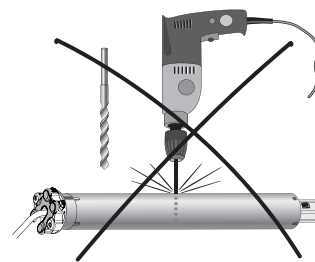
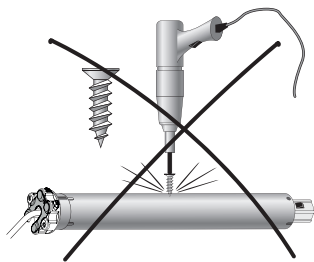
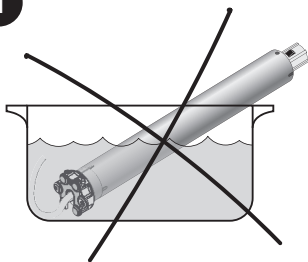
ES - Apéndice

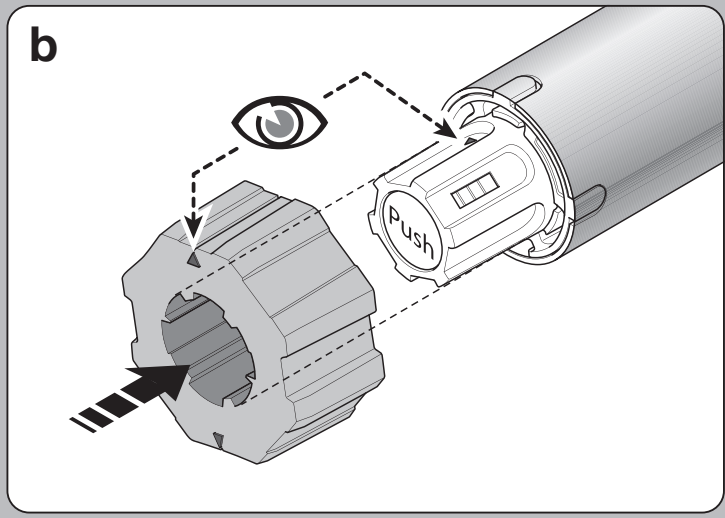
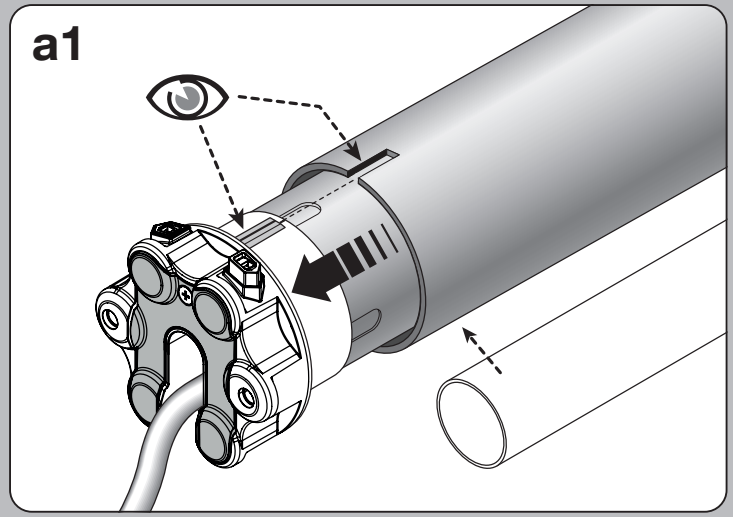
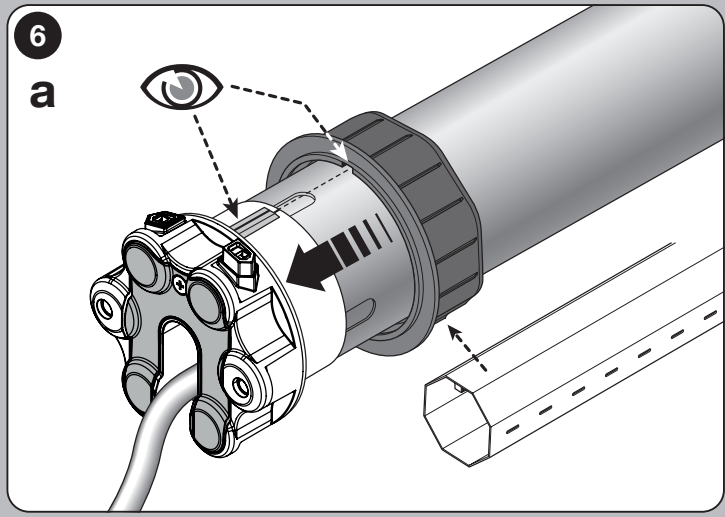
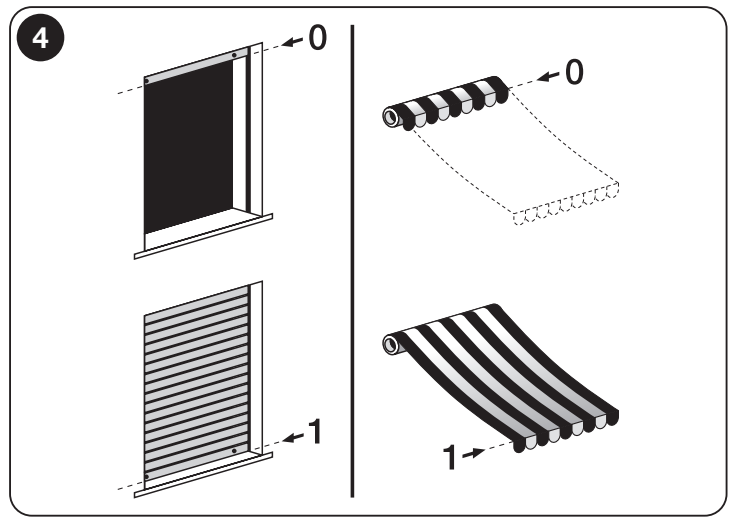
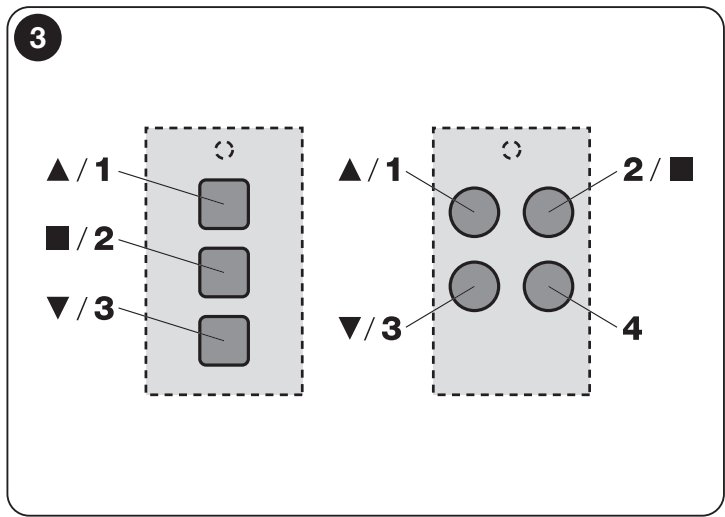
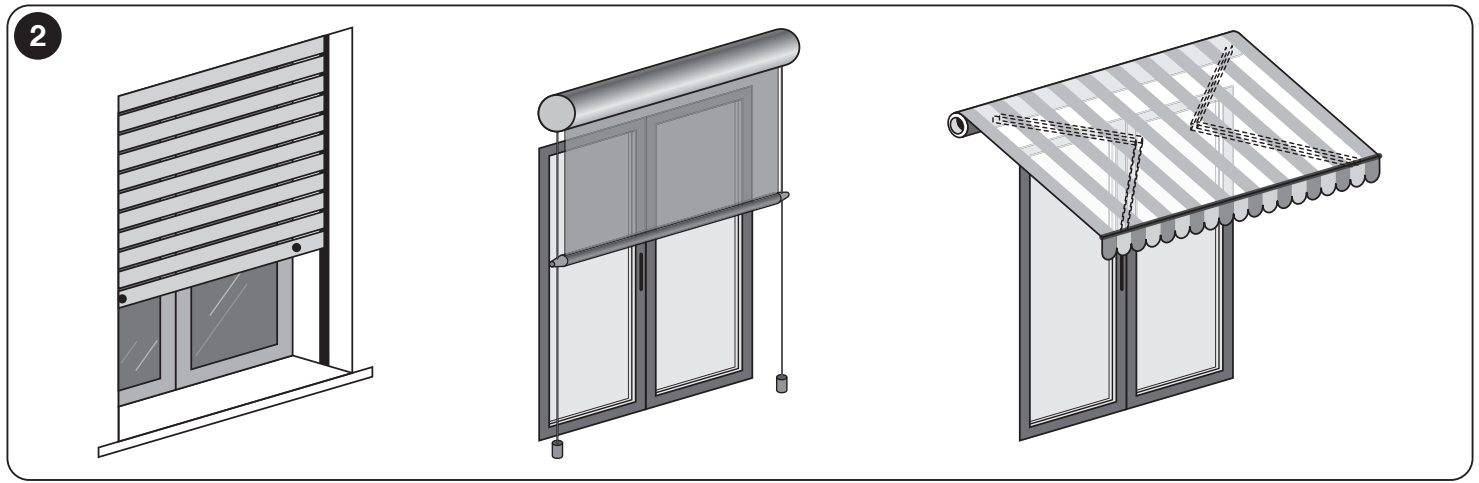
DE - Anhang

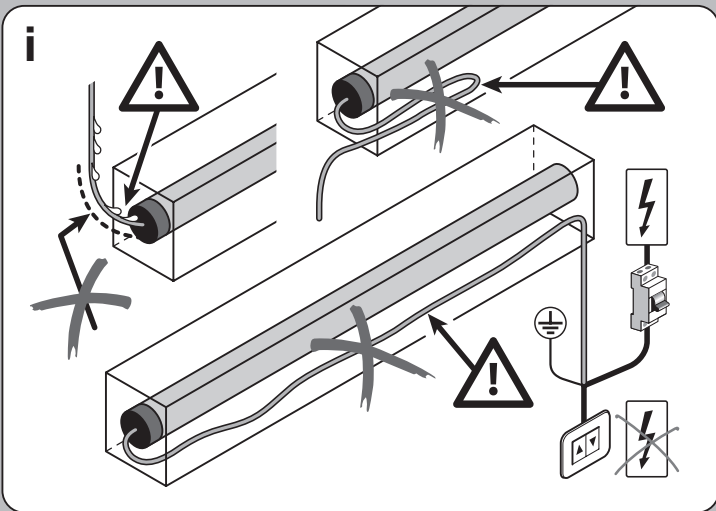
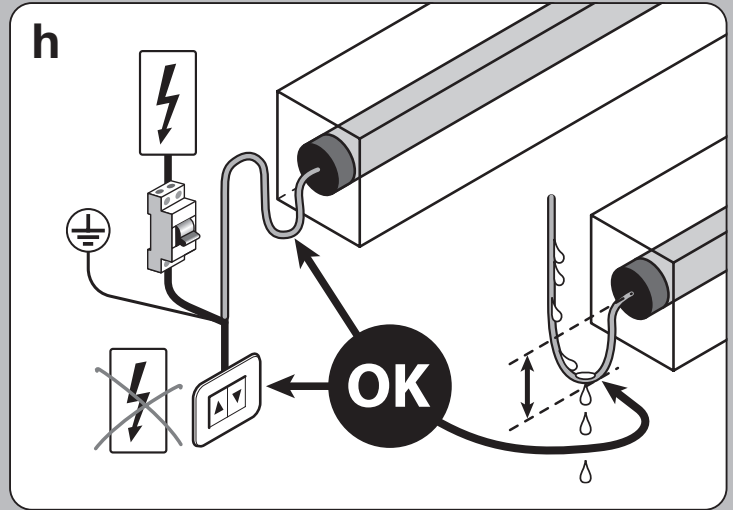
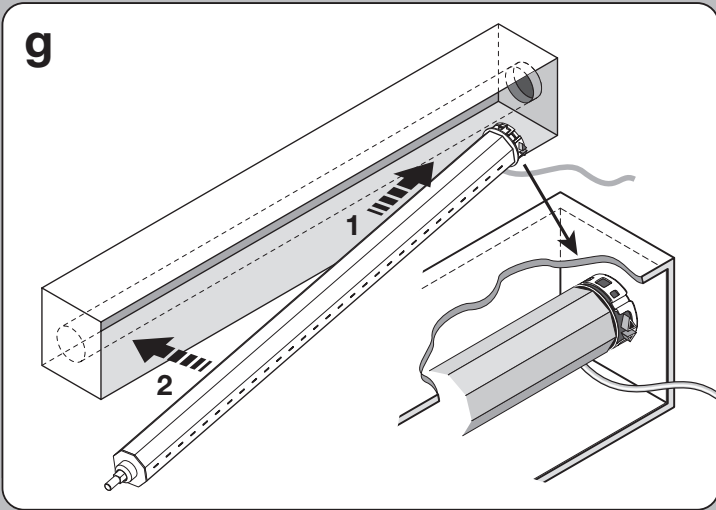
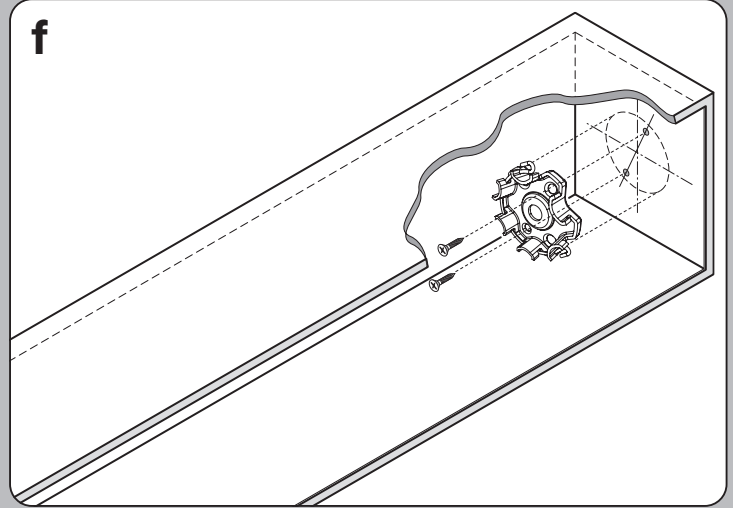
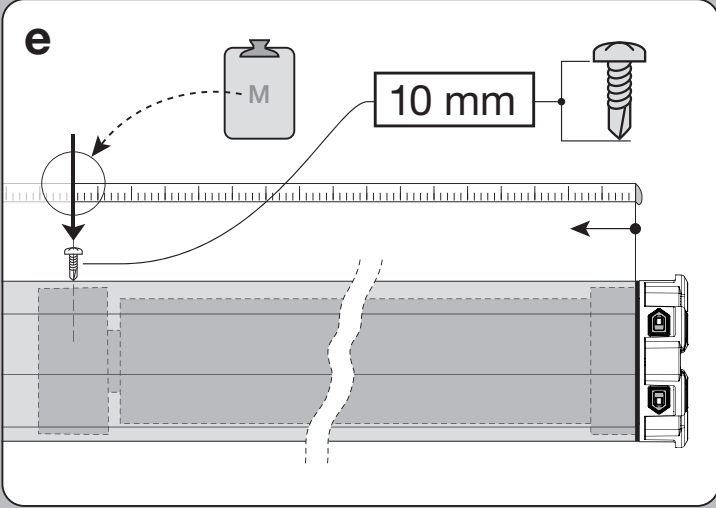
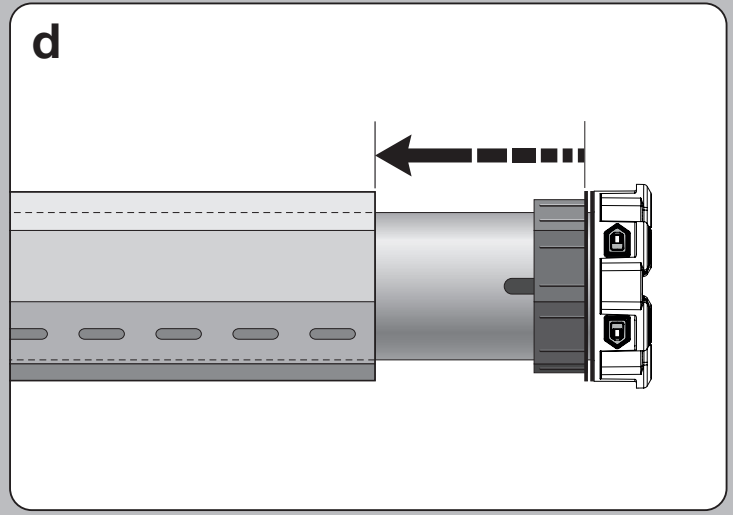
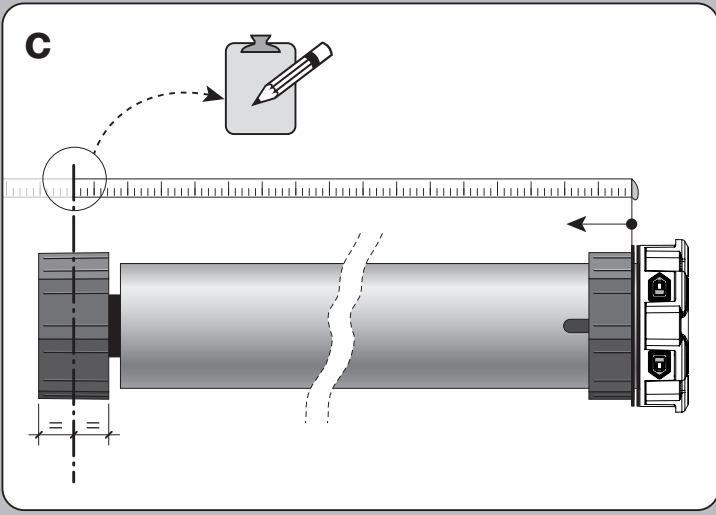
PL - Załącznik

NL - Bijlage

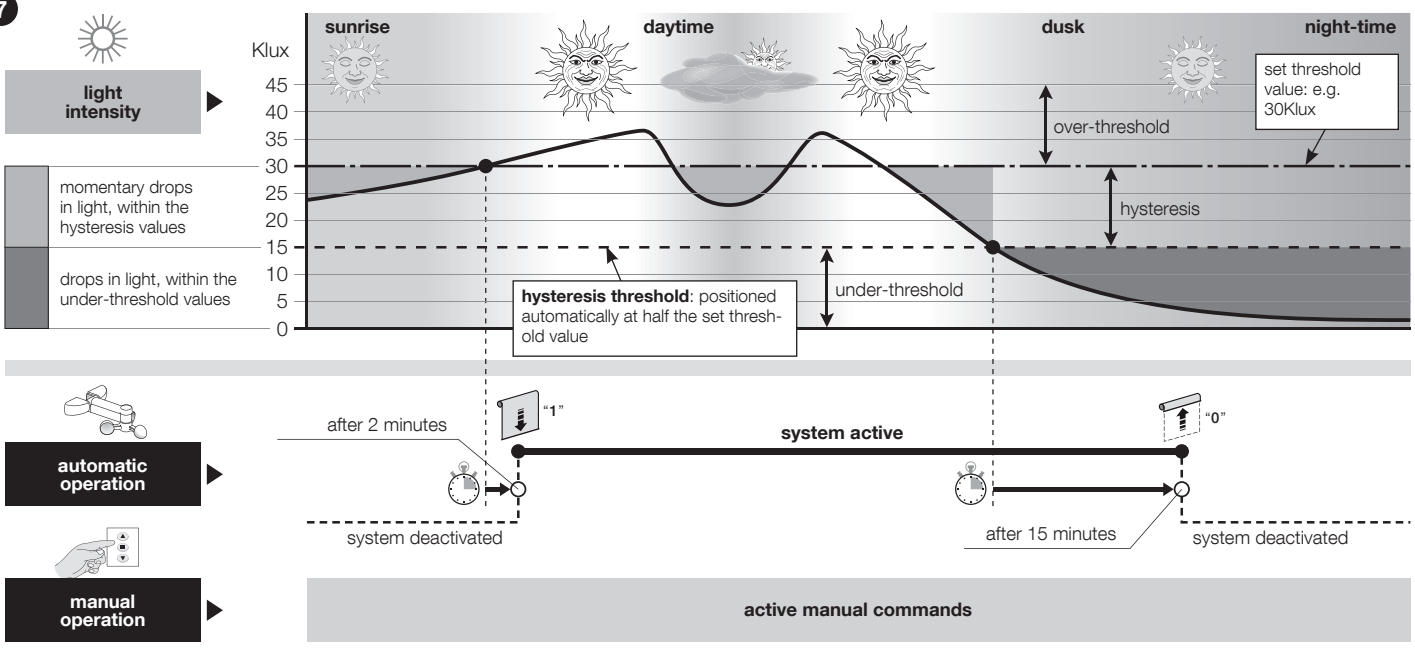
1



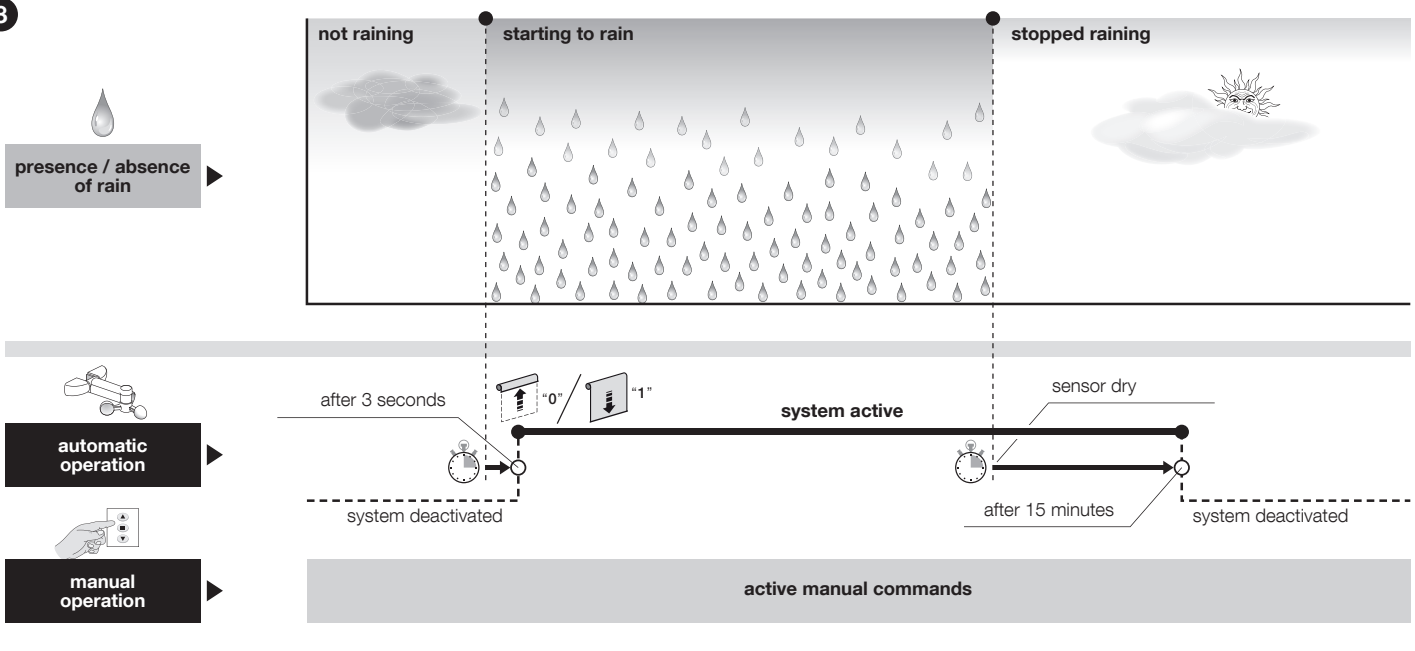




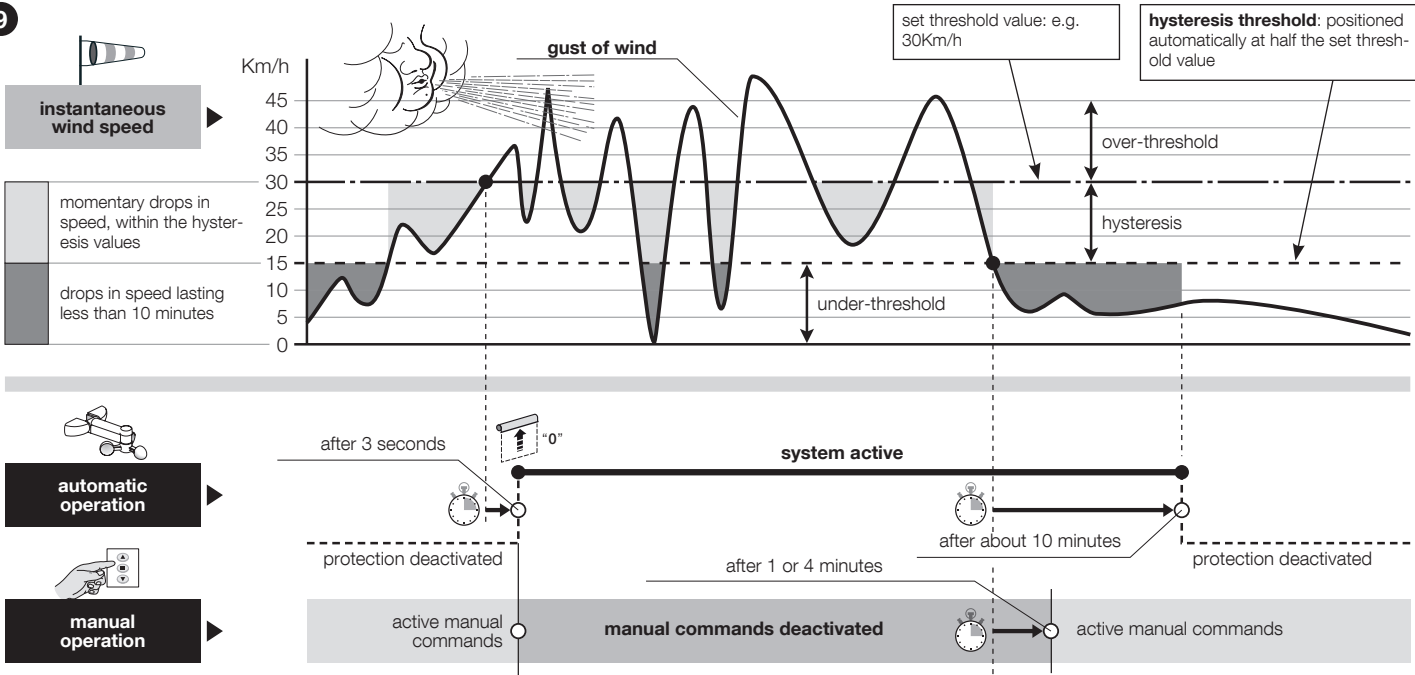
7

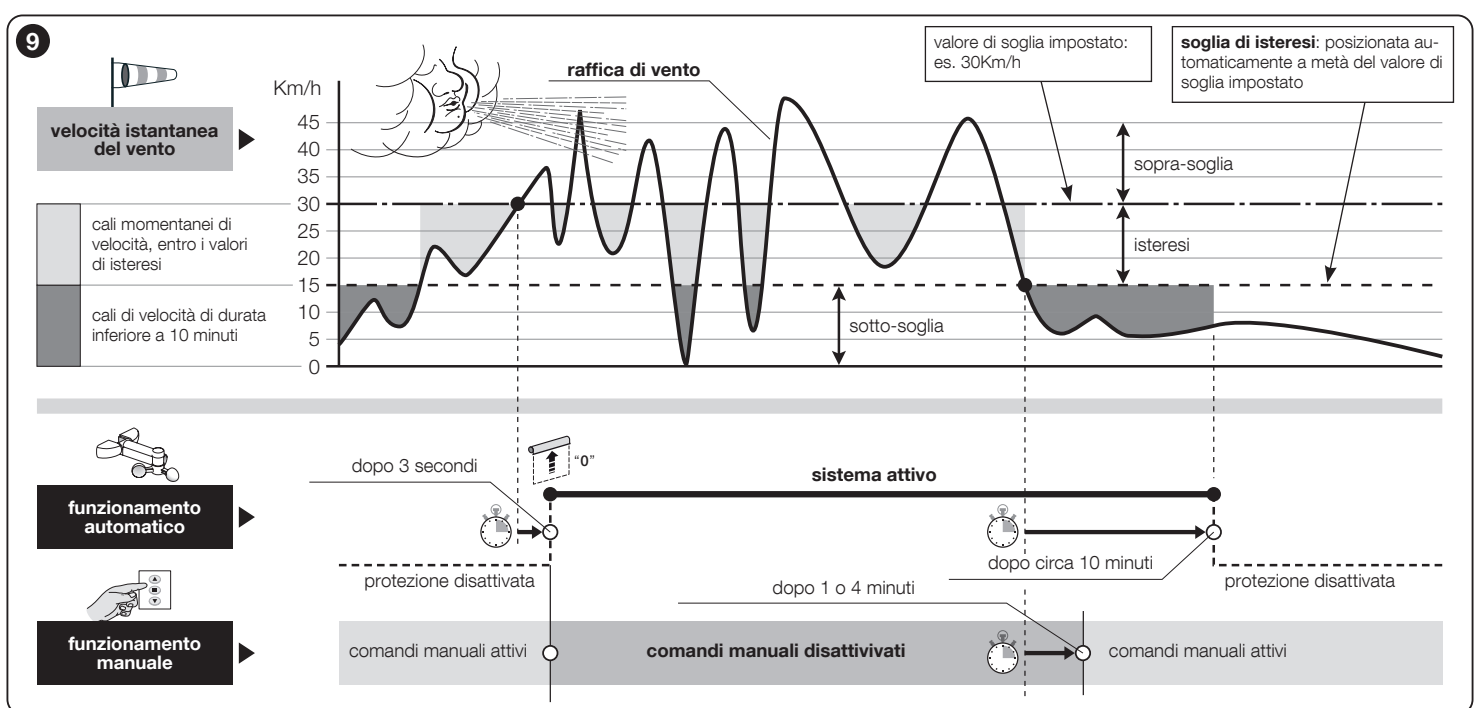
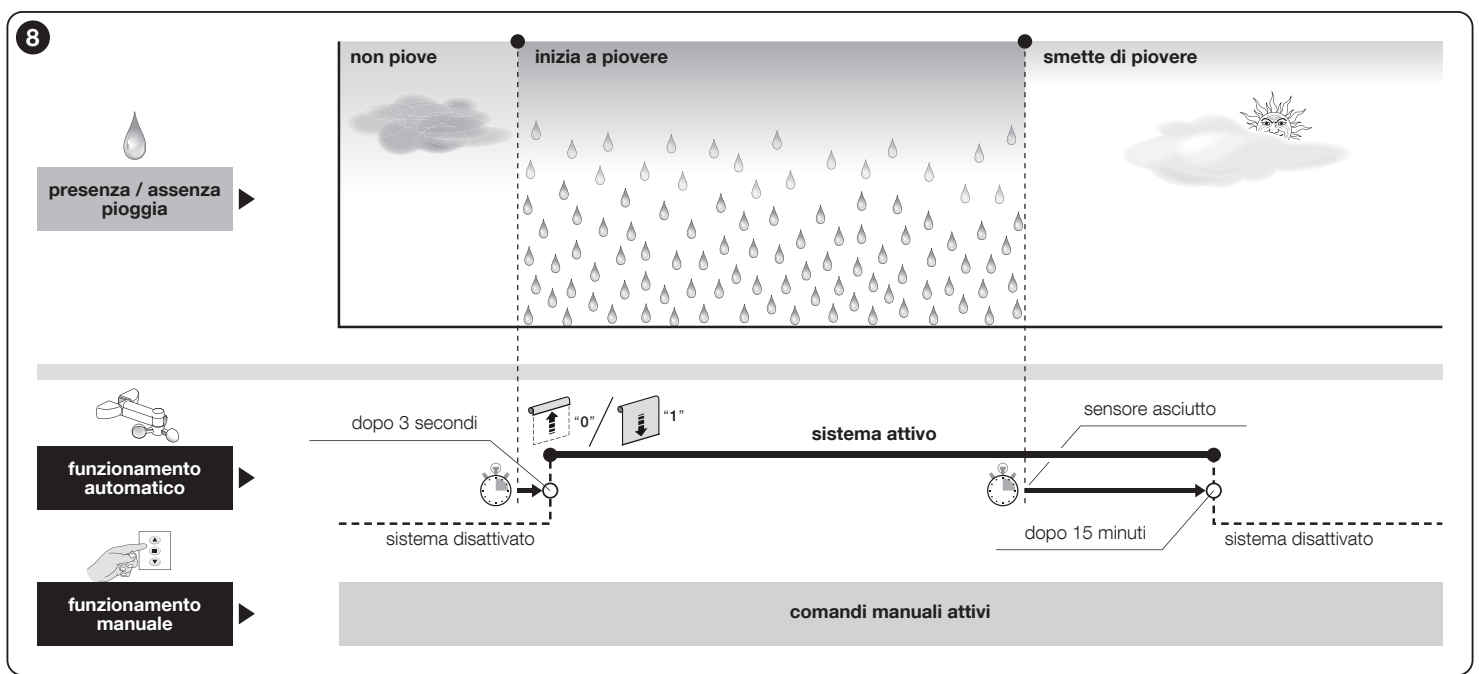
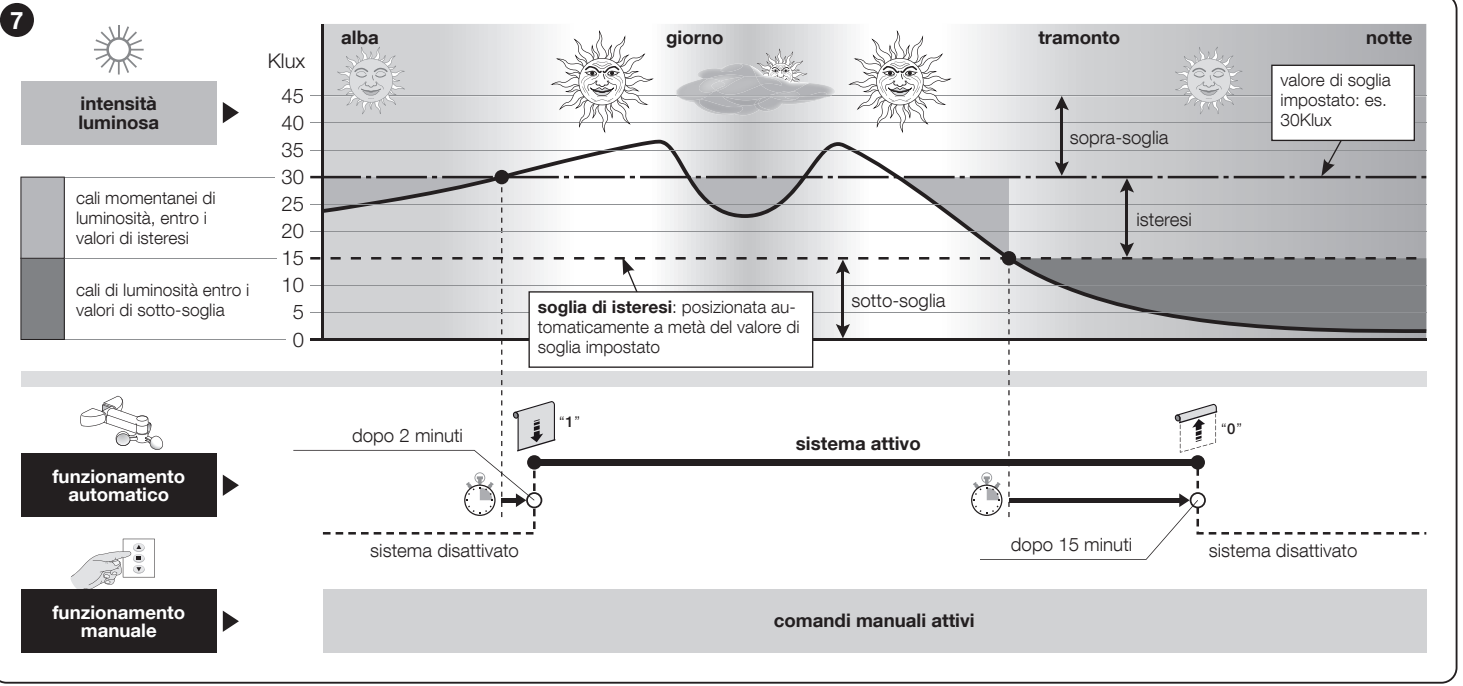


8

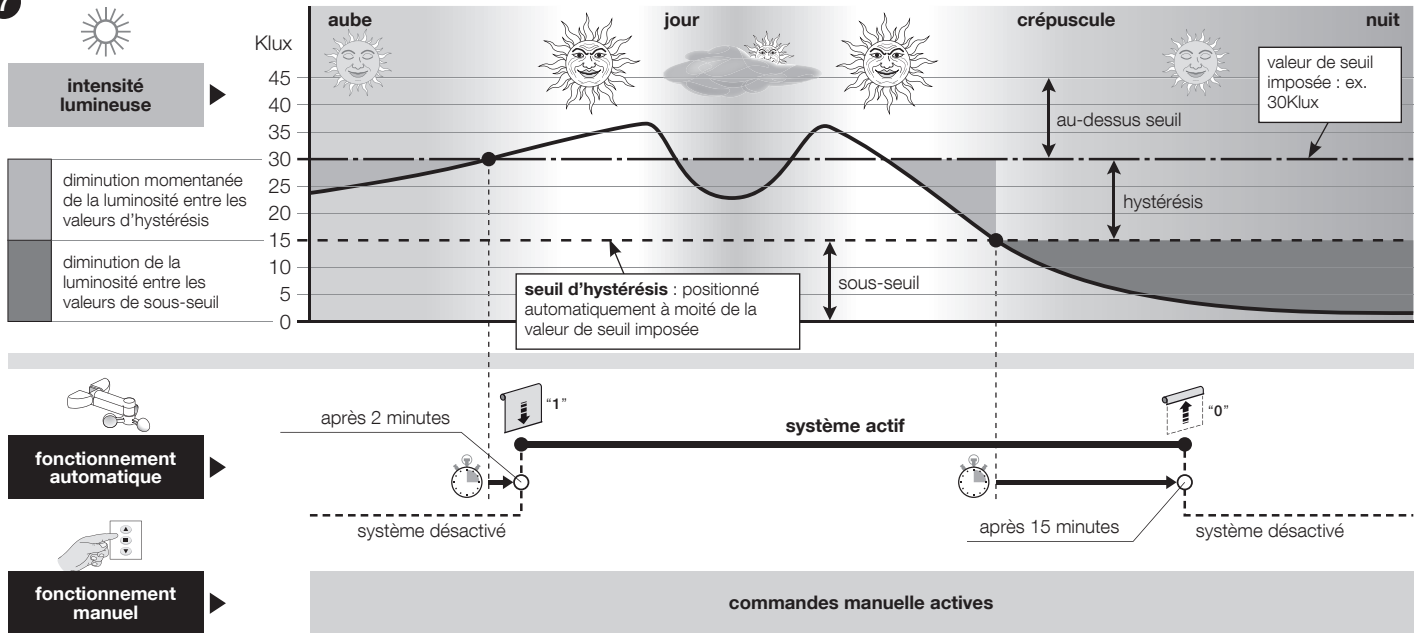


9

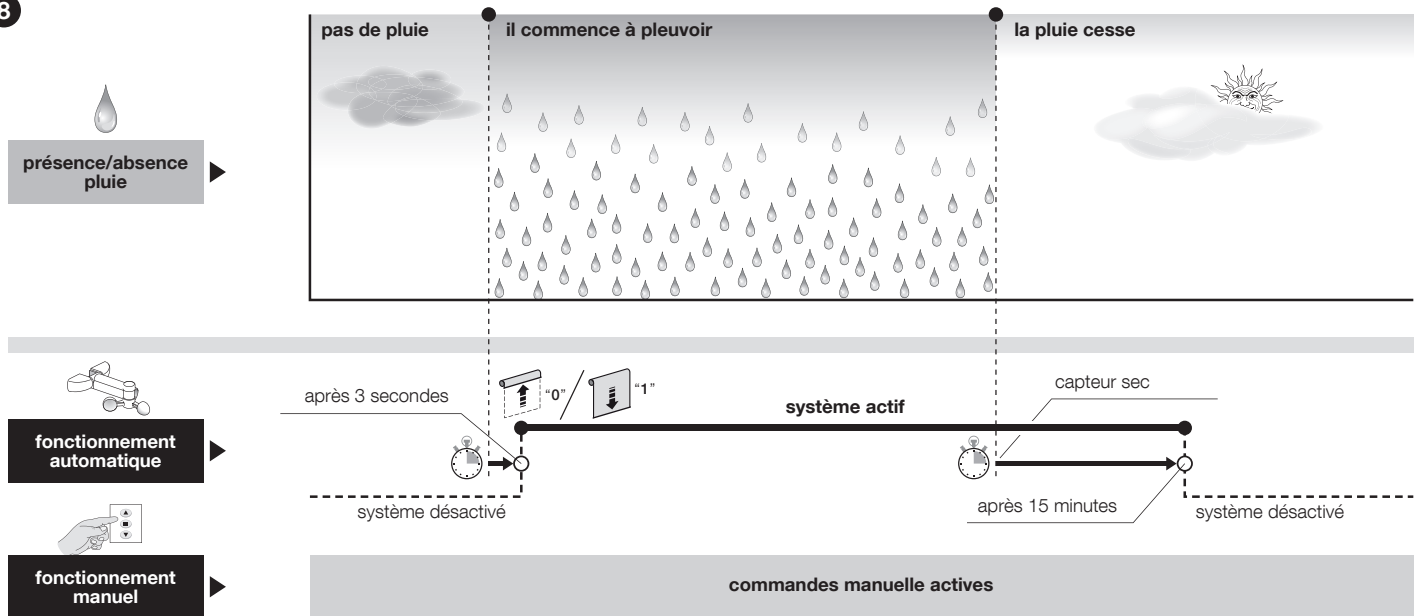




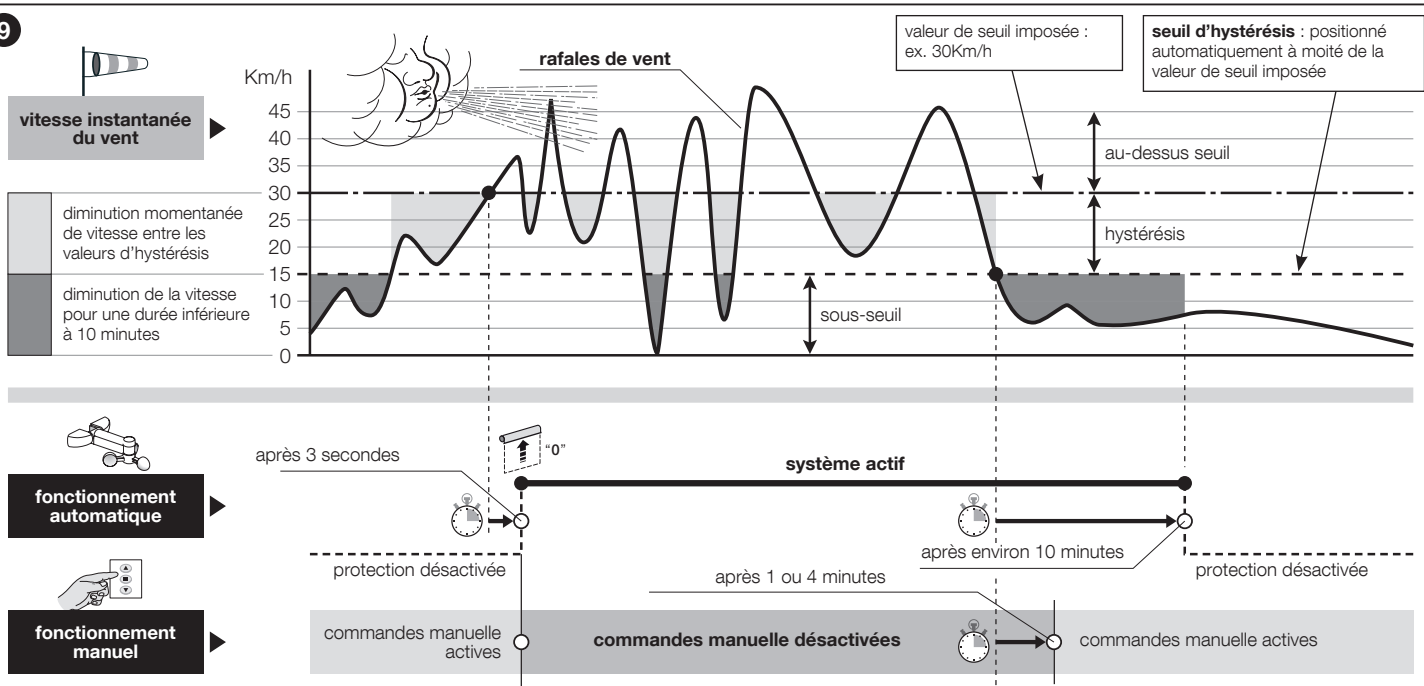
7



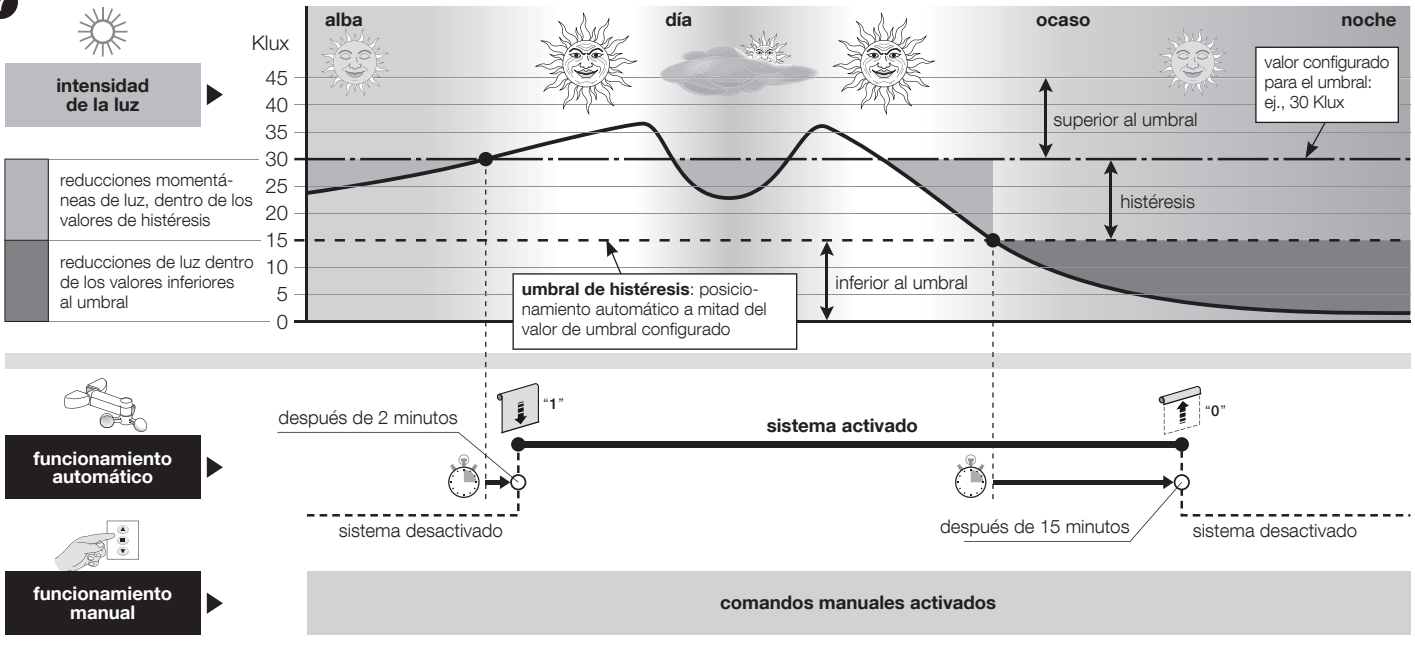
8



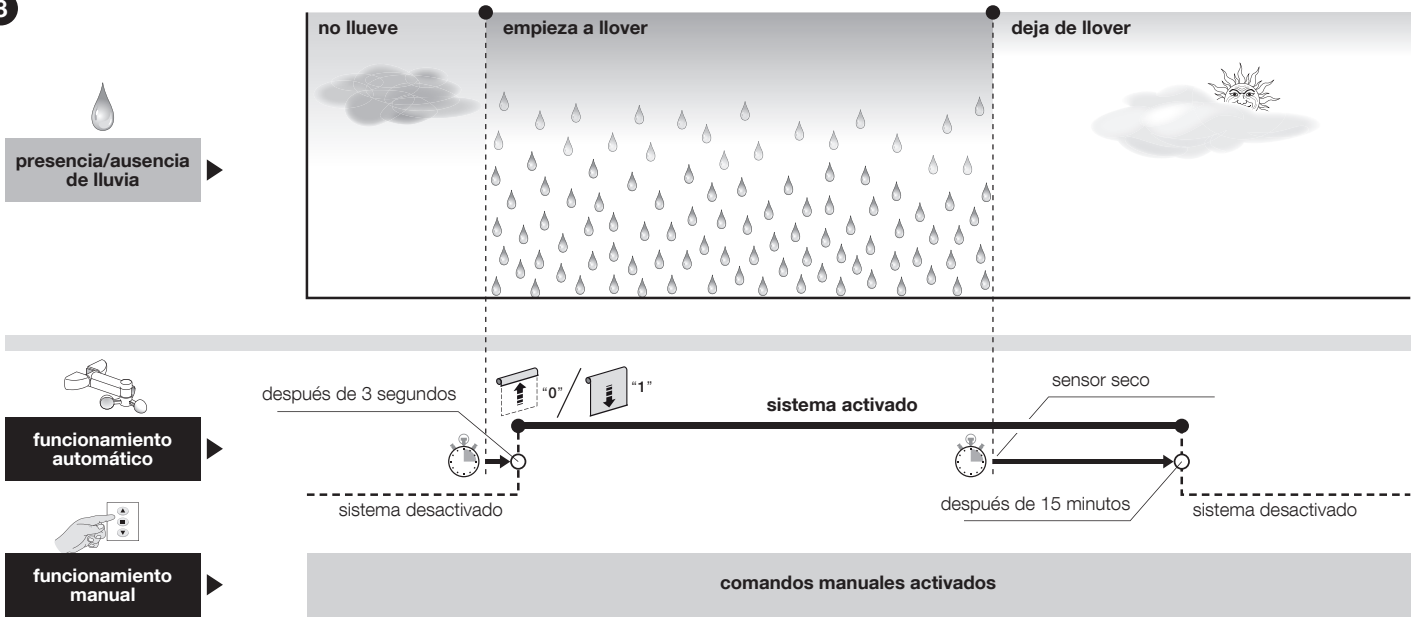
9



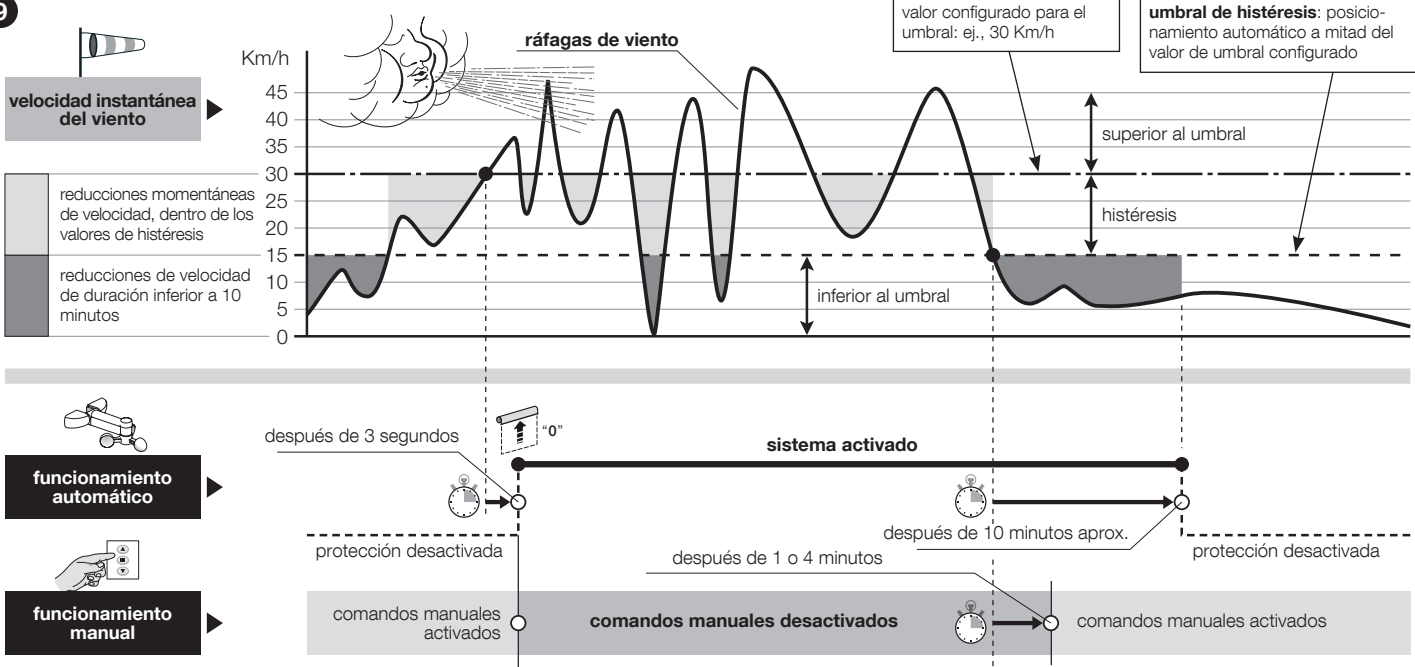
7



8



9

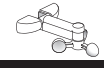
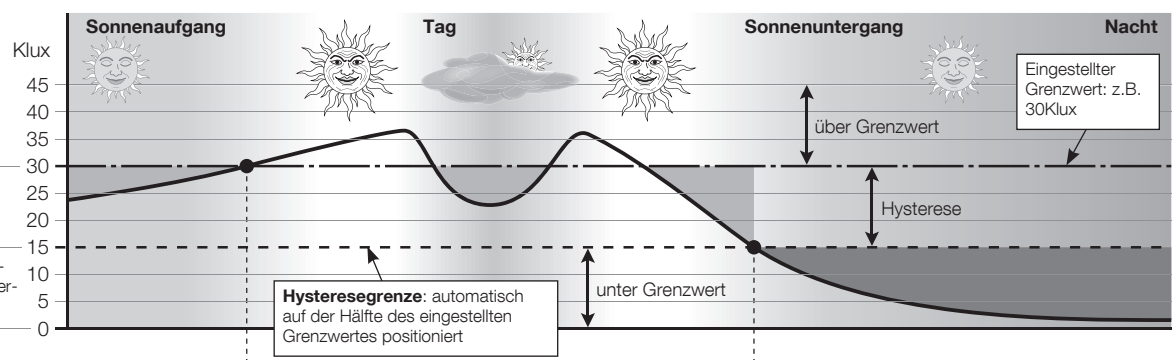


ES

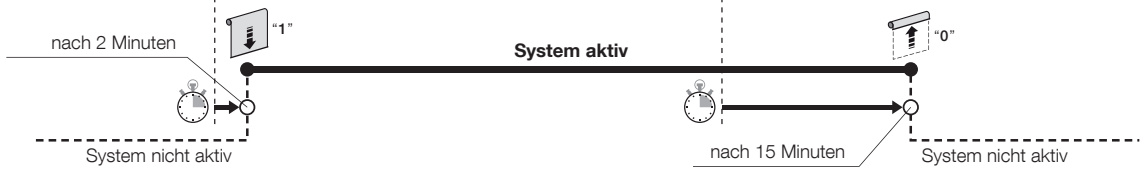
7



Lichtintensität



automatische Funktion



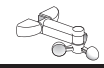
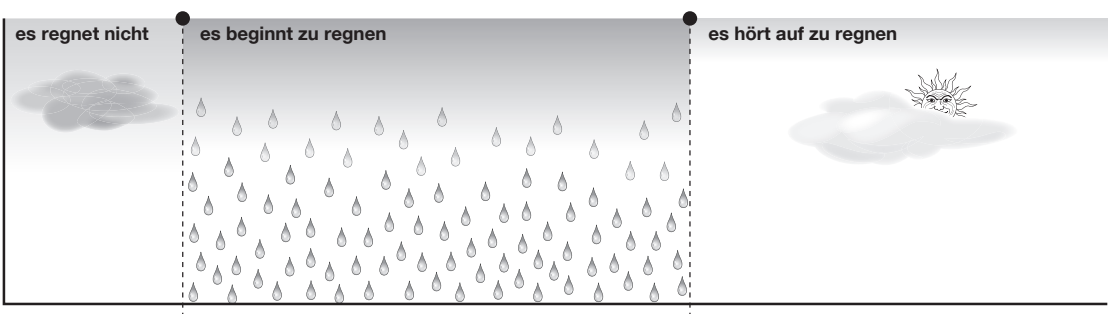
manuelle Funktion



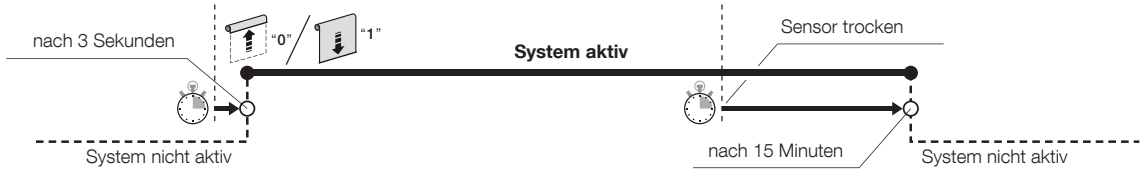
8



Regen / kein Regen



automatische Funktion



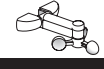
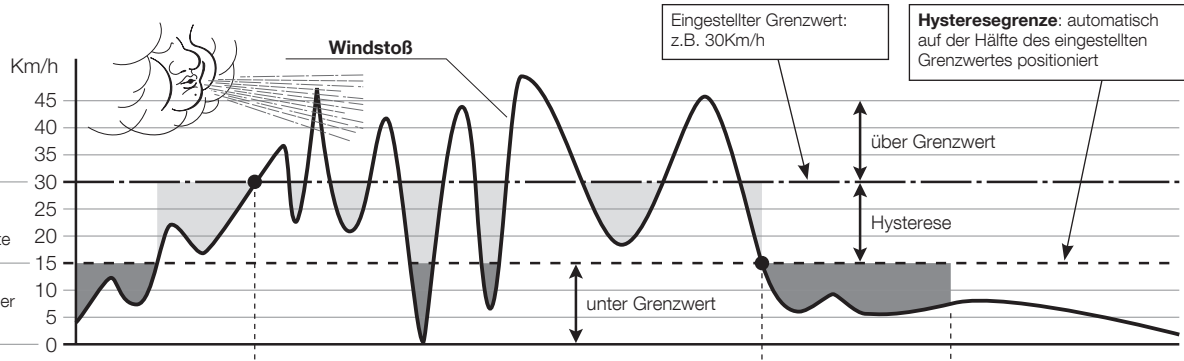
manuelle Funktion



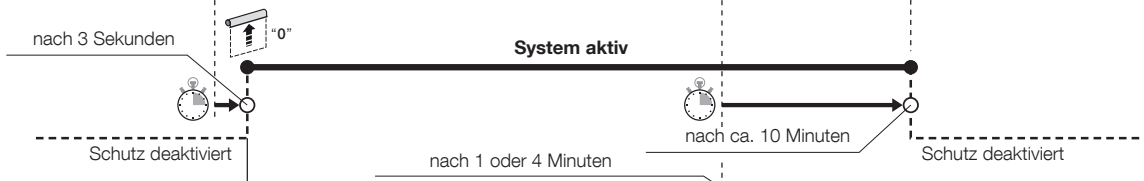
9



aktuelle Windgeschwindigkeit



automatische Funktion



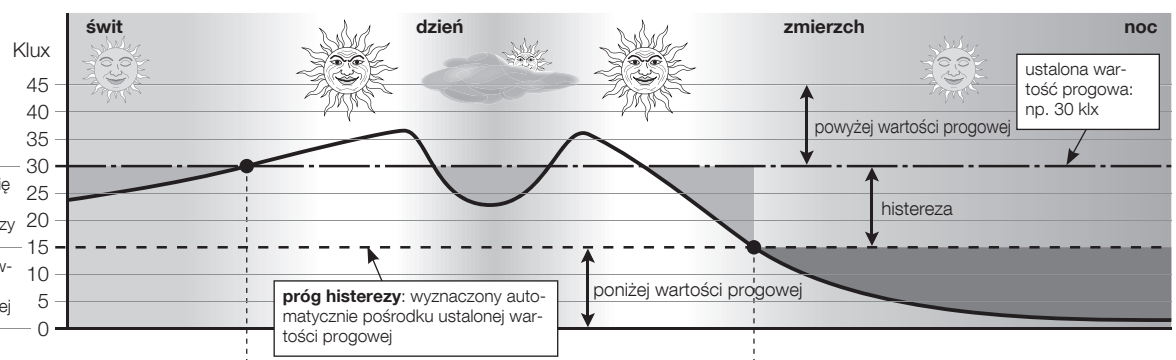
manuelle Funktion



7



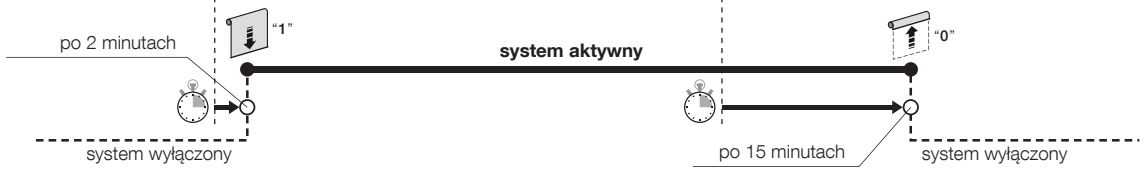
intensywność światła słonecznego



chwilowe zmniejszanie się intensywności światła w zakresie wartości histerezy

zmniejszanie się intensywności światła w zakresie wartości poniżej progowej

sterowanie automatyczne

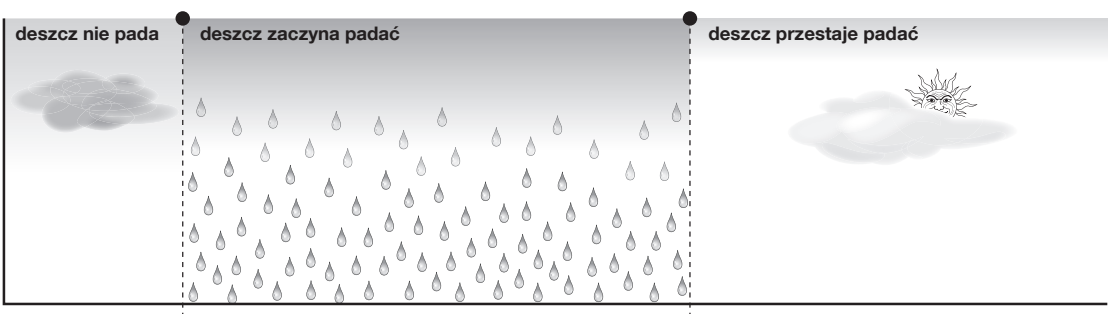


sterowanie ręczne

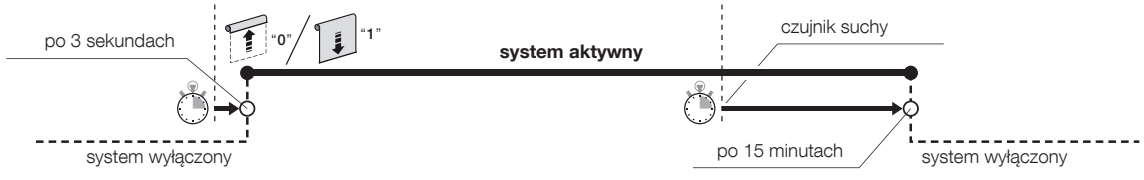
polecenia ręczne włączone

8

opady/brak deszczu



sterowanie automatyczne

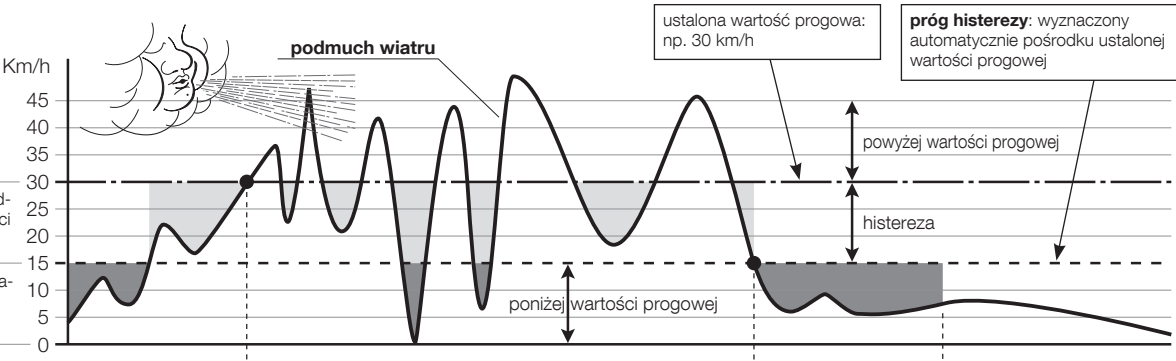


sterowanie ręczne

polecenia ręczne włączone

9

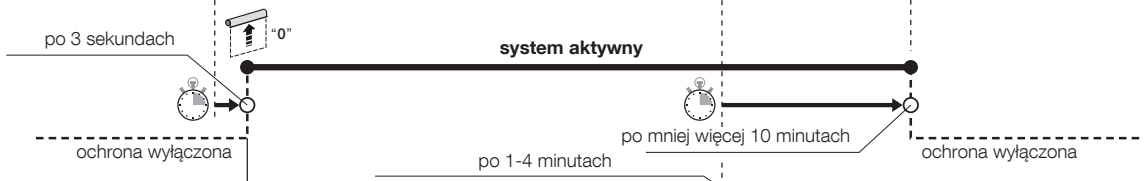
prędkość chwilowa wiatru



chwilowe obniżenia prędkości w zakresie wartości histerezy

obniżenia prędkości trwające krócej niż 10 minut

sterowanie automatyczne



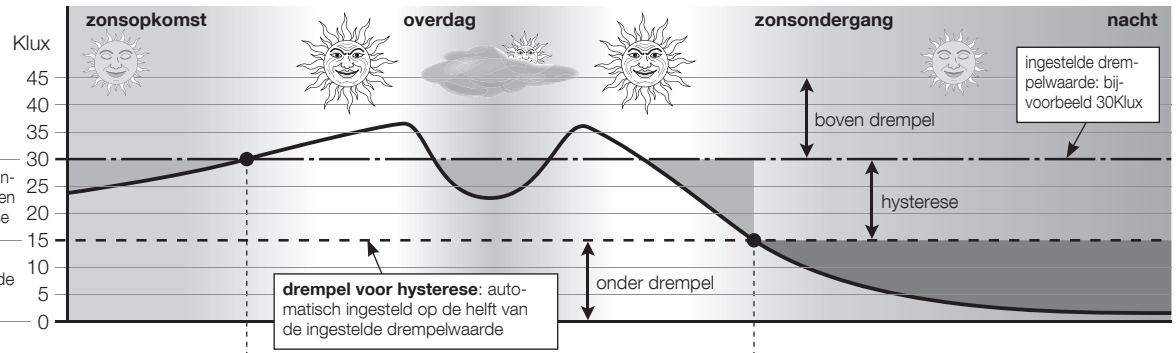
sterowanie ręczne

polecenia ręczne włączone

7

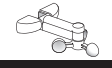


intensiteit van licht



tijdelijke dalingen van de intensiteit van het licht, binnen de waarden voor hysteresis

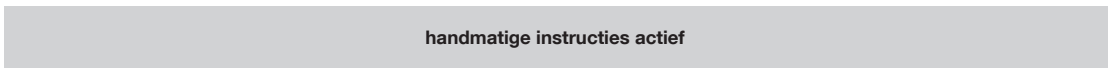
dalingen van de intensiteit van het licht, onder de drempelwaarde



automatische werking



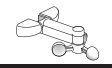
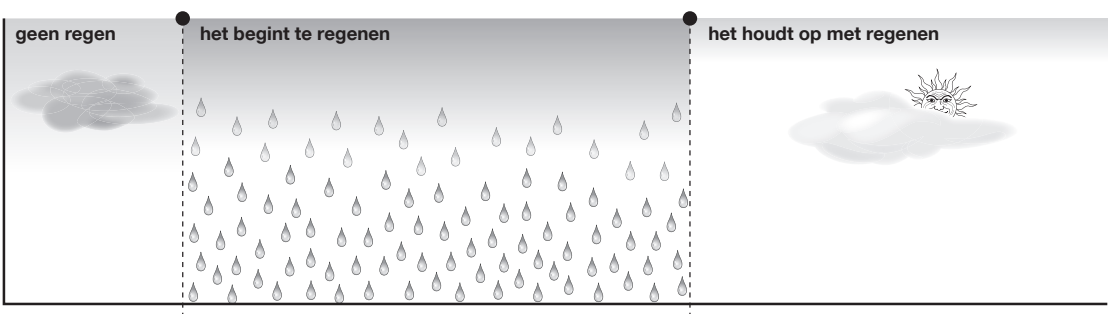
handmatige werking



8



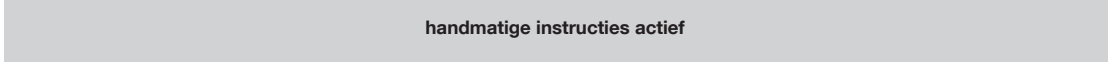
aanwezigheid/afwezigheid regen



automatische werking



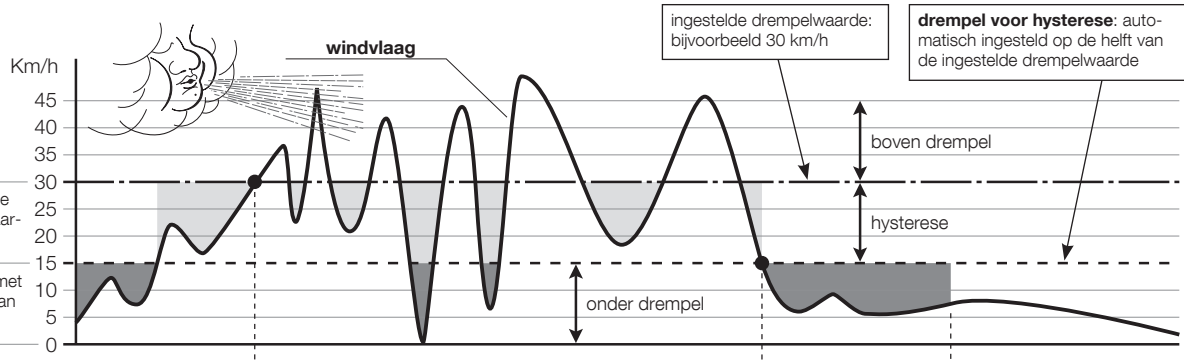
handmatige werking



9



instantsnelheid van de wind

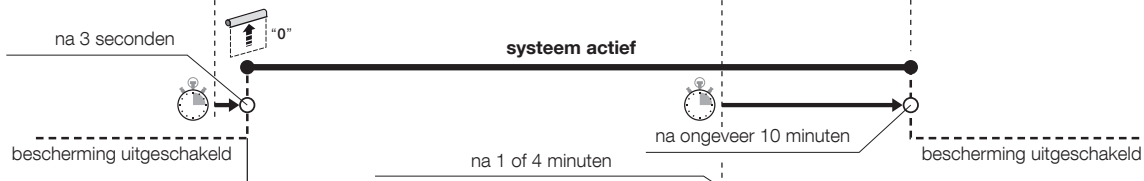


tijdelijke dalingen van de snelheid, binnen de waarden voor hysteresis

dalingen van snelheid met een duur van minder dan 10 minuten



automatische werking



handmatige werking





Nice SpA
Via Callalta, 1
31046 Oderzo TV Italy
info@niceforyou.com

www.niceforyou.com