

E QUICK M 817 SH  
E QUICK M 1517 SH  
E QUICK M 3017 SH



## Tubular motor

**EN** - Instructions and warnings for installation and use

**IT** - Istruzioni ed avvertenze per l'installazione e l'uso

**FR** - Instructions et avertissements pour l'installation et l'utilisation

**ES** - Instrucciones y advertencias para la instalación y el uso

**DE** - Installierungs-und Gebrauchsanleitungen und Hinweise

**PL** - Instrukcje i ostrzeżenia do instalacji i użytkowania

**NL** - Aanwijzingen en aanbevelingen voor installatie en gebruik

# Complete Manual

**Note for reading this Manual** – Some of the figures referred to in the text appear at the end of the manual.

## 1 WARNINGS AND GENERAL PRECAUTIONS FOR SAFETY

- **Attention! – Important safety instructions: keep these instructions.**
- **Attention! – It is important to follow these instructions to ensure safety. Therefore, read this manual carefully before beginning work.**

### 1.1 - Installation warnings

- All the product installation, collection, programming and maintenance operations must be carried out exclusively by a skilled and qualified technician, in observance of local laws, standards, regulations and the instructions in this manual.
- Before starting installation, read paragraph 3.1 to make sure the product is a suitable for automating your rolling shutter (or awning). If not suitable, do NOT proceed with installation.
- Product installation and maintenance operations must be performed with the automation mechanism disconnected from the power mains. Moreover, before starting to work, put a sign on the a disconnection device that says "ATTENTION! MAINTENANCE IN PROGRESS".
- Before starting installation, remove all electrical cables that are unnecessary for the system; deactivate all the mechanisms which are not necessary for the motorised operation of the rolling shutter (or awning).
- During installation of the system, keep people far away from the rolling shutter (or awning) when it is moving.
- A list of the mechanical parts required to couple this motor with the rolling shutter (or awning) appears in the Nice product catalogue ([www.niceforyou.com](http://www.niceforyou.com)).
- If the product is installed at a height of less than 2.5 m from the floor or other support surface, the moving parts must be protected with a suitable covering, to avoid inadvertent access. Refer to the rolling shutter (or awning) instruction manual for information on how to provide protection; in any case, make sure access is possible for maintenance work.
- On sun awnings, a minimum horizontal distance of 40 cm must be guaranteed between the awning completely open and any fixed object positioned in front.
- During installation, handle the product with care (**fig. 2**): avoiding the risk of crushing, impact, dropping or contact with any type of liquid, do not insert sharp objects in the motor, do not drill or insert screws on the motor exterior and do not place the product in the vicinity of heat sources or naked flames. This may damage product and cause malfunctions, fire or hazardous situations. If this occurs, suspend installation immediately and contact the Nice Technical Assistance.
- Do not apply screws to the winding roller on the section that is crossed by the motor internally. Such screws could damage the motor.
- Do not dismantle the product except when conforming the operations described in this manual.
- Do not make any changes to any part of the product except those indicated in this manual. The manufacturer declines all liability for damage caused by makeshift modifications to the product.
- The power supply cable for the motor is made from PVC and is suitable for use in indoor environments. For use in other environments, protect the entire length of the cable by inserting it inside a dedicated sheath for protecting electrical cables.
- The unit's power cable may not be replaced. If the cable is damaged, the device must be scrapped.
- Do not use more than one command device for each tubular motor (**fig. 4**).
- A single command device may be used for more than one tubular motor (**fig. 5**).
- To control the product, use exclusively hold-to-run type pushbuttons, i.e. which must remain pressed for the entire manoeuvre.

### 1.2 - Warnings for use

- This product is not intended to be used by persons (including children) whose physical, sensorial or mental capacities are reduced, or who lack the necessary experience or skill.
- Do not allow children to play with fixed control devices.
- When performing a manoeuvre, keep a check on the automation and keep all people at safety distance until the movement has been complete.
- Do not start automation when jobs are being performed in the vicinity, i.e. window cleaning, maintenance jobs, etc. Disconnect the electrical supply before starting such jobs.
- Remember to frequently check the balance springs and wear and tear of cords (if such mechanisms are present). Do not use the product if it needs to be adjusted or repaired; only contact specialised technical personnel to solve these problems.

## 2 PRODUCT DESCRIPTION AND INTENDED USE

The product is a tubular motor intended for automating roller shutters, awnings, sunshades or similar devices (**fig. 1**). **Any other use is absolutely prohibited! The manufacturer is not liable for damage resulting from the any use of the product other than the one specified in this manual.**

The product has the following features:

- it is powered by the electricity mains (consult data on the motor dataplate);
- it allows you to move the rolling shutter (or awning), Raising it and Lowering it using pushbuttons on the wall (not supplied in pack);
- it has a system which automatically cuts off the power supply if the rolling shutter (or awning) reaches the limit switch positions set (**fig. 3**): position "0" (rolling shutter or awning completely rolled up) and position "1" (rolling shutter or awning completely unrolled);
- it must be installed inside the winding roller; the part of the motor that protrudes from the roller (electronic head) is fixed to the ceiling or the wall with suitable support brackets (not supplied in pack);
- it is designed for residential use, i.e. discontinuous. It guarantees a continuous operating time of maximum 4 minutes;
- it is equipped with a thermal protection system which, in the case of overheating caused by continuous use of the mechanism, beyond the indicated limits, automatically cuts off the electricity supply, restoring it as soon as the temperature goes back to normal;
- it is available in several versions, each with a certain motor torque (power).

## 3 INSTALLATION OF THE MOTOR AND THE ACCESSORIES

### 3.1 - Preliminary checks before installation and limitations on use

- Check the conditions of the product right after unpacking it.
- This product is available in several versions, each with a specific motor torque. Each version is designed to move rolling shutters (or awnings) of certain specific dimensions and weights. Therefore, before installation make sure the parameters of the motor torque, rotation speed and operation time of the present product are suitable to automate your rolling shutter (or awning) (see the section "Guide to Selection" found in the Nice Product Catalogue – [www.niceforyou.com](http://www.niceforyou.com)). In particular, **do not install the product if its motor torque is greater than that needed to move your rolling shutter (or awning)**.
- Check the diameter of the winding roller. This must be chosen according to the motor torque, as follows:
  - for the motors of size "M" ( $\varnothing = 45$  mm), with a torque of up to 35 Nm (included), the minimum inside diameter of the winding roller must be 52 mm;
  - for the motors of size "M" ( $\varnothing = 45$  mm), with a torque higher than 35 Nm, the minimum inside diameter of the winding roller must be 60 mm.
- Before automating an awning, check that there is enough free space in front of it for it to be completely opened.
- In cases of outdoor installation, make sure the motor is adequately protected against atmospheric agents.

Additional limitations on use are contained in chapters 1 and 2 and under the section "Technical characteristics".

### 3.2 - Assembly and installation of the tubular motor

**Attention! - Before starting, carefully read the warnings under sections 1.1 and 3.1. Incorrect installation could cause severe physical injury.**

To assembly and install the motor, see **fig. 8**. Moreover, consult the Nice product catalogue or go to [www.niceforyou.com](http://www.niceforyou.com) to choose the crown of the limit switch (**fig. 8-a**), the drag wheel (**fig. 8-b**) and the motor fastening bracket (**fig. 8-f**).

### 3.3 - Installing safety devices in the electrical mains

Install the wall-mounted pushbutton control panel observing the following warnings:

- choose a 2-button control pushbutton panel (Ascent and Descent);
- use a pushbutton strip which works only in "hold-to-run" mode, i.e. keeping the control key pressed for the desired duration of the manoeuvre. In other words, when released, the button must return to its initial position;
- position the pushbutton strip in a place that is not accessible to outsiders;
- position the pushbutton strip in a location from which you can see the rolling shutter (or awning) but are far away from its moving parts;
  - position the pushbutton strip on the side of the rolling shutter (or awning) where there is the electrical cord from the tubular motor and the power cord from the electrical mains (**fig. 8-h**);
- position the pushbutton control panel at a height of at least 1.5 m from the floor.

## 4 ELECTRICAL CONNECTIONS AND FIRST POWER UP

During the installation and adjustment operations, the motor can be controlled by the "TTU" unit (fig. 6) until the final electrical connections have been made.

### 4.1 - Connecting the motor to a control pushbutton panel and the electrical mains

#### Warnings:

- Incorrect connection can cause faults or dangerous situations, therefore scrupulously respect the instructions given in this paragraph.
- The unit's power cable may not be replaced. If the cable is damaged, the device must be scrapped.

The motor must be powered via a permanent connection to the electricity mains. To connect the motor to the electricity mains and to a pushbutton strip, refer to fig. 7. The connection cable wires are connected as follows:

- **Brown** = electric ascent ou descent phase.
- **Black** = electric ascent ou descent phase.
- **Blue** = Common (normally connected to the Neutral).
- **Yellow-Green** = Ground (protective electrical bonding).

### 4.2 - Installing safety devices in the electrical mains

In compliance with the electric installation rules, in the network that powers the motor, a short circuit protection device and a disconnection device from the mains electricity must be envisioned (the two devices are not present in the package). **Caution!** - **The disconnection device must have an opening distance between contacts which is sufficient to permit complete disconnection from the power supply under the conditions required by overvoltage category III.**

The disconnection device must be located in view of the automation and, if it is not visible, must envision a system that blocks any accidental or unauthorised re-connection of the power supply, in order to prevent any danger.

### 4.3 - Associating the Up and Down movements with the respective pushbuttons

On completion of connections, power up the motor and check whether the Up and Down movements are associated correctly with the relative control pushbuttons. If this is not the case, invert the connection between the **Brown** and **Black** wires.

## 5 ADJUSTING LIMIT SWITCHES

### 5.1 - Programming the two limit switches

During raising and lowering movements the motor automatically stops the rolling shutter (or awning) when it reaches a limit switch (fig. 3): position "0" = (rolling shutter or awning completely rolled up); position "1" = (rolling shutter (or awning) completely unrolled). Proceed as follows to programme these positions.

#### Warnings:

- The two "arrow" buttons on the motor head are each used to programme a limit switch. The motor is supplied with these buttons pressed and therefore with limit switches already programmed at arbitrary heights. Follow the procedure described below to adjust these heights to suit the specific features of your rolling shutter (or awning).
- At point 02 of the procedure, the first level to be programmed may be freely chosen as required.

<p><b>01.</b> Make sure that the two "arrow" buttons on the motor head are released, that is, that they emerge all the way out of the motor surface. If they are flush with the surface (pressed), release them by pressing each button all the way down with a screwdriver.</p>	
<p><b>02.</b> Use the wall-mounted pushbutton strip to position the rolling shutter (or awning) at the desired level for the limit switch (the High or "0" limit switch is shown in the example). <b>IMPORTANT!</b> - <b>while the manoeuvre is underway, observe the direction of rotation of the winding roller and identify the arrow on the motor head pointing in the same direction as the roller turns.</b> Then stop the manoeuvre. <b>Note</b> - Use the two pushbuttons on the wall-mounted pushbutton strip for fine regulation of levels.</p>	
<p><b>03.</b> Lastly, memorize the level by pressing the "arrow" button identified previously all the way down (with a screwdriver) on the motor head: it <b>must stay down</b>.</p>	
<p><b>04.</b> Use the wall-mounted pushbutton strip to adjust the other limit switch so that the rolling shutter (or awning) is at the desired level for this limit switch.</p>	
<p><b>05.</b> Lastly, memorize the level by pressing the "arrow" button not used before all the way down (with a screwdriver) on the motor head: it <b>must stay down</b>.</p>	

### 5.2 - To change only one of the two limit switch levels memorised

Proceed as follows to change a limit switch level which has already been memorised (without changing the other limit switch):

<p><b>01.</b></p>	<p>Use the wall-mounted pushbutton strip to move the rolling shutter (or awning) by a few centimetres in the direction of the limit switch to be modified: - <b>while the manoeuvre is underway, observe the direction of rotation of the winding roller and identify the arrow on the motor head pointing in the same direction as the roller turns</b> then stop the manoeuvre.</p>
<p><b>02.</b></p>	<p>(on the motor head) With the rolling shutter (or awning) <u>stationary</u>, release the "arrow" button identified (press with a screwdriver).</p>
<p><b>03.</b></p>	<p>Use the wall-mounted pushbutton strip to complete the manoeuvre interrupted in point 01, putting the rolling shutter (or awning) at the new limit switch level. <b>Note</b> - Use the two pushbuttons on the wall-mounted pushbutton strip for fine regulation of levels.</p>
<p><b>04.</b></p>	<p>(on the motor head) With the rolling shutter (or awning) <u>stationary at the limit switch</u>, memorize the new level by pressing the "arrow" button all the way down (using a screwdriver) on the motor head: it <b>must stay down</b>.</p>

## What to do if... (troubleshooting guide)

- **The motor does not start if the power is turned on to one phase (Raise or Lower).**
  - a) Check whether the motor thermal has been tripped. If this is the case, wait until the motor cools to restore normal functioning.
  - b) Check that the power is on and the grid voltage corresponds to the values appearing on the motor plate.
  - c) Check whether the motor has been shut down by the limit switch in either direction of rotation. If this is the case, adjust the limit switch levels again using the procedure described in chapter 5.
  - d) Check that the control pushbutton strip has been connected up correctly (refer to **fig. 7**).
  - e) Check that the power cable is in good condition.
- **If the motor does not stop automatically when it reaches a limit switch.**
  - a) Make sure that the two "arrow" buttons on the motor head are in the lowered position, that is, flush with the motor surface.
  - b) While the manoeuvre is underway, make sure that the winding roller drives the limit switch ring nut (**fig. 8-h**).
- **If the programmed limit switch settings move the first time you use the device.**
  - a) Repeat the procedure described in chapter 5 to compensate the play between the mechanisms.

If problems persist after these checks contact a qualified technician or the Nice Service Centre.

## Disposal of the product

This product is an integral part of the automation and therefore must be disposed together with the latter.

As in installation operations, disposal operations must be performed by qualified personnel at the end of the product's lifespan.

The product is made of various types of materials: some of them may be recycled, while others must be scrapped. Find out about recycling and disposal systems in use in your area for this product category. **Warning!** – Some parts of the product may contain polluting or hazardous substances which, if released to the environment, may cause serious damage to the environment or to human health. As indicated by the symbol appearing here, the product may not be disposed of with other household wastes. Separate the waste into categories for disposal, according to the methods established by current legislation in your area, or return the product to the retailer when purchasing a new version. **Warning!** – Local legislation may impose heavy fines in the event of illegal disposal of this product.



The product's packaging materials must be disposed of in full compliance with local regulations.

## Technical specifications

Refer to the technical characteristics stated on the motor's nameplate.

**Note:** • All technical specifications stated herein refer to an ambient temperature of 20° C (± 5° C). • Nice S.p.A. reserves the right to apply modifications to products at any time when deemed necessary, maintaining the same intended use and functionality.

## Simplified EU declaration of conformity

Hereby, NICE S.p.A., declares that the radio equipment type E QUICK M 817 SH, E QUICK M 1517 SH, E QUICK M 3017 SH, is in compliance with Directive 2014/53/EU.

The full text of the EU declaration of conformity is available at the following internet address: <https://www.niceforyou.com/en/support>.

### COMPLIANCE WITH THE FCC RULES (PART 15) AND RSS-210 RULES

This device complies with Industry Canada's licence-exempt RSS-210s, and with Part 15 of the FCC rules of the United States of America. Operation is subject to the following two conditions: (1) this device may not cause interference; (2) this device must accept any interference, including interference that may cause undesired operation of the device. Any changes or modifications made to this device, without the express permission of the manufacturer, may void the user's authority to operate this device.

# Manuale completo

**Nota alla consultazione del manuale** – Alcune figure citate nel testo sono riportate alla fine del manuale.

## 1 AVVERTENZE E PRECAUZIONI GENERALI PER LA SICUREZZA

- **Attenzione!** – Istruzioni importanti per la sicurezza: conservare queste istruzioni.
- **Attenzione!** – Per la sicurezza delle persone è importante rispettare queste istruzioni; pertanto, prima di iniziare il lavoro, leggere attentamente questo manuale.

### 1.1 - Avvertenze per l'installazione

- Tutte le operazioni di installazione, di collegamento, di programmazione e di manutenzione del prodotto devono essere effettuate esclusivamente da un tecnico qualificato e competente, rispettando le leggi, le normative, i regolamenti locali e le istruzioni riportate in questo manuale.
- Prima di iniziare l'installazione leggere il paragrafo 3.1 per verificare se il prodotto è adatto ad automatizzare la vostra tapparella (o tenda). Se non è adatto, NON procedere all'installazione.
- Tutte le operazioni di installazione e di manutenzione del prodotto devono essere effettuate con l'automatismo scollegato dall'alimentazione elettrica. Inoltre, prima di iniziare il lavoro, attaccare sul dispositivo di sconnessione un cartello con la scritta "ATTENZIONE! MANUTENZIONE IN CORSO".
- Prima di iniziare le operazioni di installazione, allontanare tutti i cavi elettrici che non sono coinvolti nel lavoro; inoltre, disattivare tutti i meccanismi non necessari al funzionamento motorizzato della vostra tapparella (o tenda).
- Durante l'installazione, mantenere le persone lontane dalla tapparella (o dalla tenda) quando questa è in movimento.
- La lista delle parti meccaniche necessarie ad accoppiare il presente motore con la tapparella (o con la tenda) è riportata nel catalogo dei prodotti Nice ([www.niceforyou.com](http://www.niceforyou.com)).
- Se il prodotto è installato ad un'altezza inferiore a 2,5 m dal pavimento o da altra superficie di appoggio, è necessario proteggere le sue parti in movimento con una copertura, per impedire l'accesso accidentale. Per la protezione fare riferimento al manuale istruzioni della tapparella (o della tenda), garantendo in ogni caso l'accesso per gli interventi di manutenzione.
- Nelle tende da sole, è necessario garantire una distanza orizzontale minima di 40 cm tra la tenda completamente aperta e un eventuale oggetto fisso, posizionato di fronte.
- Durante l'installazione maneggiare con cura il prodotto (fig. 2): evitare schiacciamenti, urti, cadute o contatti con qualsiasi liquido; non introdurre oggetti appuntiti nel motore; non forare e non applicare viti all'esterno del motore; non mettere il prodotto vicino a fonti di calore e non esporlo a fiamme libere. Queste azioni possono danneggiare il prodotto ed essere causa di malfunzionamenti o situazioni di pericolo. In questi casi sospendere immediatamente l'installazione e rivolgersi al Servizio Assistenza Nice.
- Non applicare viti sul rullo avvolgitore, nel tratto attraversato internamente dal motore. Queste viti potrebbero danneggiare il motore.
- Non smontare il prodotto oltre le operazioni previste in questo manuale.
- Non eseguire modifiche su nessuna parte del prodotto oltre a quelle previste in questo manuale. Il costruttore declina ogni responsabilità per danni derivanti da modifiche arbitrarie al prodotto.
- Il cavo di alimentazione del motore è in PVC ed è adatto all'uso in ambienti interni. Per l'uso in altri ambienti proteggere il cavo per tutta la sua lunghezza, inserendolo in un condotto specifico per la protezione dei cavi elettrici.
- Il cavo di alimentazione dell'apparecchio non può essere sostituito. Se il cavo è danneggiato l'apparecchio deve essere rottamato.
- Non usare più di un dispositivo di comando per un singolo motore tubolare (fig. 4).
- È possibile usare un singolo dispositivo di comando per più motori tubolari (fig. 5).
- Per comandare il prodotto utilizzare esclusivamente pulsanti che funzionano a "uomo presente", cioè che occorre mantenerli premuti per l'intera durata della manovra.

### 1.2 - Avvertenze per l'uso

- Il prodotto non è destinato a essere usato da persone (bambini compresi) le cui capacità fisiche, sensoriali o mentali siano ridotte, oppure con mancanza di esperienza o di conoscenza.
- Non permettere ai bambini di giocare con i dispositivi di comando fissi.
- Durante l'esecuzione di una manovra controllare l'automazione e mantenere le persone a distanza di sicurezza, fino al termine del movimento.
- Non comandare l'automazione quando nei suoi pressi si stanno svolgendo lavori come la pulizia dei vetri, la manutenzione, ecc.. Scollegare l'alimentazione elettrica prima di eseguire questi lavori.
- Ricordatevi di controllare spesso le molle di bilanciamento e l'usura dei cavi (se questi meccanismi sono presenti). Non utilizzare l'automazione se questa necessita di regolazioni o riparazione; rivolgersi esclusivamente a personale tecnico specializzato per la soluzione di questi problemi.

## 2 DESCRIZIONE DEL PRODOTTO E DESTINAZIONE D'USO

Il prodotto è un motore tubolare destinato all'automatizzazione di una tapparella, di una tenda da sole, di uno schermo solare o di un'apparecchiatura avvolgibile simile (fig. 1). **È vietato qualsiasi altro uso! Il produttore non risponde dei danni derivanti da un uso improprio del prodotto, rispetto a quanto descritto in questo manuale.**

Il prodotto ha le seguenti caratteristiche:

- è alimentato dalla rete elettrica (consultare i dati nella targa del motore);
- è in grado di muovere la tapparella (o la tenda) in Salita e in Discesa tramite dei pulsanti a parete (dispositivi non presenti nella confezione);
- è dotato di un sistema che interrompe automaticamente l'alimentazione quando la tapparella (o la tenda) raggiunge le posizioni di finecorsa impostate (fig. 3): posizione "0" (tapparella o tenda totalmente arrotolata) e posizione "1" (tapparella o tenda totalmente srotolata);
- si installa all'interno del rullo avvolgitore; la parte del motore che sporge dal rullo (testa elettronica) si fissa al soffitto o alla parete con apposite staffe di supporto (non presenti nella confezione);
- è progettato per l'uso residenziale e, dunque, discontinuo. Garantisce comunque un tempo di lavoro continuo di massimo 4 minuti;
- è dotato di un sistema di protezione termica che, in caso di surriscaldamento dovuto a un utilizzo continuo dell'automazione, oltre i limiti previsti, interrompe automaticamente l'alimentazione elettrica e la ripristina appena la temperatura rientra nella norma;
- è disponibile in varie versioni, ciascuna con una determinata coppia motore (potenza).

## 3 INSTALLAZIONE DEL MOTORE E DEGLI ACCESSORI

### 3.1 - Verifiche preliminari all'installazione e limiti d'impiego

- Verificare l'integrità del prodotto subito dopo averlo sballato.
- Il presente prodotto è disponibile in varie versioni, ognuna con una coppia motore specifica. Ogni versione è progettata per movimentare tapparelle (o tende) con determinate dimensioni e peso. Pertanto, prima dell'installazione, accertarsi che i parametri di coppia motore, velocità di rotazione e tempo di funzionamento del presente prodotto siano idonei ad automatizzare la vostra tapparella (o tenda) (fare riferimento alla "Guida alla scelta" presente nel catalogo dei prodotti Nice – [www.niceforyou.com](http://www.niceforyou.com)). In particolare, **non installare il prodotto se la sua coppia motore è maggiore di quella necessaria a muovere la vostra tapparella (o tenda).**
- Verificare il diametro del rullo avvolgitore. Questo deve essere scelto in base alla coppia del motore, nel modo seguente:
  - per i motori di taglia "M" ( $\varnothing = 45$  mm), con una coppia fino a 35 Nm (compresa), il diametro interno minimo del rullo avvolgitore deve essere di 52 mm;
  - per i motori di taglia "M" ( $\varnothing = 45$  mm), con una coppia maggiore di 35 Nm, il diametro interno minimo del rullo avvolgitore deve essere di 60 mm.
- Prima di automatizzare una tenda, verificare che davanti a questa ci sia spazio libero, sufficiente alla sua apertura totale prevista.
- In caso di installazione all'esterno, garantire al motore un'adeguata protezione dagli agenti atmosferici.

Ulteriori limiti d'impiego sono contenuti nei capitoli 1, 2 e nelle "Caratteristiche tecniche".

### 3.2 - Assemblaggio e installazione del motore tubolare

**Attenzione!** - Prima di procedere leggere attentamente le avvertenze riportate nei paragrafi 1.1 e 3.1. L'installazione non corretta può causare gravi ferite.

Per assemblare e installare il motore fare riferimento alla fig. 8. Inoltre consultare il catalogo dei prodotti Nice o il sito [www.niceforyou.com](http://www.niceforyou.com) per scegliere la corona del finecorsa (fig. 8-a), la ruota di trascinamento (fig. 8-b) e la staffa di fissaggio del motore (fig. 8-f).

### 3.3 - Installazione di una pulsantiera a parete

Installare sulla parete una pulsantiera di comando, osservando le seguenti avvertenze:

- scegliere una pulsantiera a 2 pulsanti (Salita e Discesa);
- si consiglia di utilizzare una pulsantiera che funziona "con l'uomo presente", cioè in cui occorre mantenere premuto il pulsante per la durata desiderata della manovra. Al rilascio, il pulsante deve tornare nella posizione iniziale;
- posizionare la pulsantiera in un luogo che non sia accessibile agli estranei;
- posizionare la pulsantiera in vista della tapparella (o della tenda) ma lontano dalle sue parti in movimento;
- posizionare la pulsantiera a lato della tapparella (o della tenda), dove sono presenti il cavo elettrico proveniente dal motore tubolare e il cavo di alimentazione proveniente dalla rete elettrica (fig. 8-h);
- posizionare la pulsantiera ad un'altezza superiore a 1,5 m dal pavimento.

## 4 COLLEGAMENTI ELETTRICI E PRIMA ACCENSIONE

Durante le operazioni di installazione e regolazione, quando i collegamenti elettrici non sono ancora definitivi è possibile comandare il motore tubolare con l'apposita unità "TTU" (fig. 6).

### 4.1 - Collegamento del motore a una pulsantiera di comando e alla rete elettrica

#### Avvertenze:

- Un collegamento errato può provocare guasti o situazioni di pericolo; quindi, rispettare scrupolosamente le istruzioni di questo paragrafo.
- Il cavo di alimentazione dell'apparecchio non può essere sostituito. Se il cavo è danneggiato l'apparecchio deve essere rottamato.

Il motore deve essere alimentato attraverso un collegamento permanente alla rete elettrica. Per collegare il motore alla rete elettrica e a una pulsantiera di comando, fare riferimento alla fig. 7. I conduttori del cavo di collegamento hanno il seguente impiego:

- **Colore Marrone** = Fase elettrica di salita o discesa.
- **Colore Nero** = Fase elettrica di salita o discesa.
- **Colore Blu** = Comune (di solito collegato al Neutro).
- **Colore Giallo-verde** = Terra (collegamento equipotenziale di protezione).

### 4.2 - Installazione dei dispositivi di protezione all'interno della rete di alimentazione elettrica

In conformità alle regole di installazione elettrica, nella rete che alimenta il motore è necessario prevedere un dispositivo di protezione contro il corto circuito e un dispositivo di sconnessione dalla rete elettrica (i due dispositivi non sono presenti nella confezione). **Attenzione!** - Il dispositivo di sconnessione deve avere una **distanza di apertura tra i contatti, tale da consentire la disconnessione completa dell'alimentazione, nelle condizioni stabilite dalla categoria di sovratensione III.**

Il dispositivo di sconnessione deve essere collocato in vista dell'automazione e, se non è visibile, deve prevedere un sistema che blocca un'eventuale riconnessione accidentale o non autorizzata dell'alimentazione, al fine di scongiurare qualsiasi pericolo.

### 4.3 - Abbinamento dei movimenti di Salita e Discesa ai rispettivi pulsanti

Al termine dei collegamenti, alimentare il motore e verificare se i movimenti di Salita e Discesa sono correttamente abbinati ai rispettivi pulsanti di comando. Se non è così, invertire il collegamento tra i conduttori **Marrone** e **Nero**.

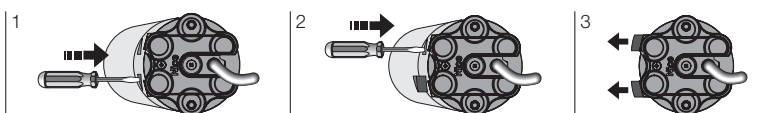
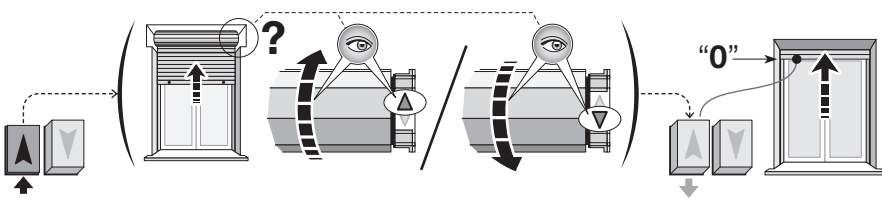
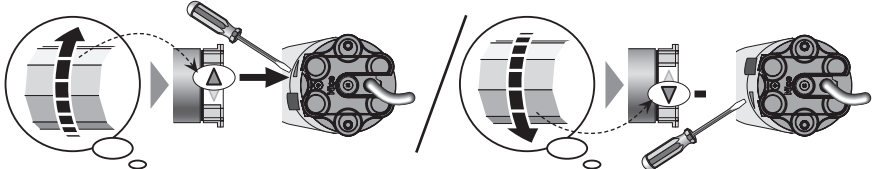
## 5 REGOLAZIONE DEI FINECORSA

### 5.1 - Programmazione dei due finecorsa

Durante i movimenti di salita e discesa il motore ferma automaticamente la tapparella (o la tenda) nel momento in cui questa raggiunge una posizione di finecorsa (fig. 3): posizione "0" = tapparella (o tenda) totalmente arrotolata; posizione "1" = tapparella (o tenda) totalmente srotolata. Per programmare queste posizioni procedere nel modo seguente.

#### Avvertenze:

- I due pulsanti "a freccia" presenti sulla testa del motore permettono, ciascuno, di programmare un finecorsa. Il motore esce di fabbrica con questi pulsanti schiacciati e, dunque, con i finecorsa già programmati con quote arbitrarie. Per regolare queste quote secondo le caratteristiche specifiche della vostra tapparella (o della vostra tenda), utilizzare la procedura che segue.
- Al punto 02 della procedura, la prima quota da programmare può essere scelta liberamente, in base alle proprie necessità.

<p><b>01.</b> Accertarsi che i due pulsanti "a freccia" posizionati sulla testa del motore siano rilasciati, cioè che sporgano totalmente dalla superficie del motore. Se risultano a filo della superficie (posizione schiacciata), rilasciarli premendo a fondo ogni pulsante con l'ausilio di un cacciavite.</p>	
<p><b>02.</b> Utilizzare la pulsantiera di comando a parete per portare la tapparella (o la tenda) alla quota desiderata per il finecorsa (nell'esempio è riportato il finecorsa Alto "0"). <b>IMPORTANTE!</b> - durante la manovra, osservare in quale direzione gira il rullo avvolgitore e, sulla testa del motore, individuare il pulsante con la freccia rivolta nella stessa direzione in cui gira il rullo. Quindi, fermare la manovra. <b>Nota</b> - Per effettuare un'eventuale regolazione fine della quota, utilizzare i due pulsanti della pulsantiera a parete.</p>	
<p><b>03.</b> Infine, memorizzare la quota premendo a fondo (con l'ausilio di un cacciavite) il pulsante "a freccia" individuato prima, sulla testa del motore: questo <b>deve restare bloccato in posizione schiacciata</b>.</p>	
<p><b>04.</b> Per regolare l'altro finecorsa utilizzare la pulsantiera di comando a parete per portare la tapparella (o la tenda) alla quota desiderata per questo finecorsa.</p>	
<p><b>05.</b> Infine, memorizzare la quota premendo a fondo (con l'ausilio di un cacciavite) l'altro pulsante "a freccia" non utilizzato prima, sulla testa del motore: questo <b>deve restare bloccato in posizione schiacciata</b>.</p>	

### 5.2 - Per modificare soltanto una delle due quote di finecorsa memorizzate

Per modificare un finecorsa già memorizzato (senza modificare l'altro finecorsa), procedere nel modo seguente:

<p><b>01.</b></p>	<p>Con la pulsantiera di comando a parete comandare la tapparella (o la tenda) facendola muovere per pochi centimetri nella direzione del finecorsa che si desidera modificare: <b>durante la manovra, osservare in quale direzione gira il rullo avvolgitore; quindi, individuare sulla testa del motore il pulsante con la freccia rivolta nella stessa direzione in cui gira il rullo</b> e fermare la manovra.</p>
<p><b>02.</b></p>	<p>(sulla testa del motore) Con la tapparella (o la tenda) ferma, rilasciare il pulsante "a freccia" appena individuato (premere il pulsante con un cacciavite).</p>
<p><b>03.</b></p>	<p>Con la pulsantiera di comando a parete completare la manovra interrotta al punto 01, portando la tapparella (o la tenda) nella nuova quota del finecorsa. <b>Nota</b> - Per effettuare un'eventuale regolazione fine della quota, utilizzare i due pulsanti della pulsantiera a parete.</p>
<p><b>04.</b></p>	<p>(sulla testa del motore) Con la tapparella (o la tenda) ferma nel finecorsa, memorizzare la nuova quota premendo a fondo (con l'ausilio di un cacciavite) il pulsante "a freccia" individuato prima, sulla testa del motore: questo <b>deve restare bloccato in posizione abbassata</b>.</p>

## Cosa fare se... (guida alla soluzione dei problemi)

### • Alimentando una fase (Salita o Discesa) il motore non parte.

- Verificare se è in atto la protezione termica del motore. In questo caso, per ripristinare il normale funzionamento basta aspettare che il motore si raffreddi.
- Verificare se c'è tensione di rete, e se questa corrisponde ai valori riportati nella targa del motore.
- Verificare se il motore è bloccato nei finecorsa, in entrambi i sensi di rotazione. In questo caso, basta regolare di nuovo le quote dei finecorsa, utilizzando la procedura descritta nel capitolo 5.
- Verificare se la pulsantiera di comando è stata collegata correttamente (fare riferimento alla **fig. 7**).
- Verificare se il cavo di alimentazione è integro.

### • Se il motore non si ferma automaticamente quando arriva in un finecorsa.

- Accertarsi che i due pulsanti "a freccia", presenti sulla testa del motore, siano in **posizione abbassata**, cioè al livello della superficie del motore.
- Durante la manovra, accertarsi che il rullo avvolgitore trascini la ghiera del finecorsa (**fig. 8-h**).

### • Se durante la prima manovra si verifica lo spostamento delle posizioni dei finecorsa programmati precedentemente.

- Eeguire di nuovo la procedura del capitolo 5, in modo da compensare i giochi presenti tra i meccanismi.

Se dopo questi controlli i problemi persistono, rivolgersi ad un tecnico qualificato, oppure contattare il Servizio Assistenza Nice.

## Smaltimento del prodotto

Questo prodotto è parte integrante dell'automazione, e dunque, deve essere smaltito insieme con essa.

Come per le operazioni d'installazione, anche al termine della vita di questo prodotto, le operazioni di smantellamento devono essere eseguite da personale qualificato. Questo prodotto è costituito da vari tipi di materiali: alcuni possono essere riciclati, altri devono essere smaltiti. Informatevi sui sistemi di riciclaggio o smaltimento previsti dai regolamenti vigenti sul vostro territorio, per questa categoria di prodotto. **Attenzione!** – alcune parti del prodotto possono contenere sostanze inquinanti o pericolose che, se disperse nell'ambiente, potrebbero provocare effetti dannosi sull'ambiente stesso e sulla salute umana. Come indicato dal simbolo a lato, è vietato gettare questo prodotto nei rifiuti domestici. Eseguire quindi la "raccolta separata" per lo smaltimento, secondo i metodi previsti dai regolamenti vigenti sul vostro territorio, oppure riconsegnare il prodotto al venditore nel momento dell'acquisto di un nuovo prodotto equivalente.

**Attenzione!** – i regolamenti vigenti a livello locale possono prevedere pesanti sanzioni in caso di smaltimento abusivo di questo prodotto.

Il materiale dell'imballo del prodotto deve essere smaltito nel pieno rispetto della normativa locale.



## Caratteristiche tecniche

Fare riferimento ai dati riportati sulla targa del motore.

**Note:** • Tutte le caratteristiche tecniche riportate, sono riferite ad una temperatura ambientale di 20°C (± 5°C). • Nice S.p.a. si riserva il diritto di apportare modifiche al prodotto, in qualsiasi momento lo riterrà necessario, mantenendone la stessa destinazione d'uso e le stesse funzionalità.

## Dichiarazione di conformità UE semplificata

Il fabbricante Nice S.p.A. dichiara che il tipo di apparecchiatura radio E QUICK M 817 SH, E QUICK M 1517 SH, E QUICK M 3017 SH, è conforme alla direttiva 2014/53/UE.

Il testo completo della dichiarazione di conformità UE è disponibile al seguente indirizzo Internet: <https://www.niceforyou.com/it/supporto>.

# Manuel complet

**Note pour la consultation du manuel** – Certaines figures indiquées dans le texte sont reportées à la fin du manuel.

## 1 RECOMMANDATIONS ET PRÉCAUTIONS GÉNÉRALES POUR LA SÉCURITÉ

- **Attention ! – Instructions importantes pour la sécurité : conserver ces instructions.**
- **Attention ! – Pour la sécurité des personnes il est important de respecter ces instructions ; avant de commencer le travail il faut donc lire attentivement ce manuel.**

### 1.1 - Recommandations pour l'installation

- Toutes les opérations de branchement, de programmation et de maintenance du produit devront exclusivement être effectuées par un technicien qualifié et compétent en respectant les lois, les normes, les règlements locaux et les instructions mentionnées dans ce manuel.
- Avant de lancer l'installation, lire le paragraphe 3.1 pour vérifier si le produit est adapté pour l'automatisation de votre volet (ou store). S'il n'est pas adapté, NE PAS procéder à l'installation.
- Toutes les opérations d'installation et de maintenance du produit devront être effectuées en ayant débranché la centrale de l'alimentation électrique. En outre, avant de commencer le travail, placer sur le dispositif de branchement un panneau mentionnant : « ATTENTION! MAINTENANCE EN COURS ».
- Avant de commencer l'installation éloigner tous les câbles électriques qui ne font pas partie de l'installation et désactiver tous les mécanismes qui ne sont pas nécessaires au fonctionnement motorisé du volet (ou store).
- Durant la réalisation de l'installation, éloigner les personnes du volet (ou du store) quand ce dernier est en mouvement.
- La liste des parties nécessaires pour accoupler le moteur actuel avec le volet (ou avec le store) est rapportée dans le catalogue des produits Nice ([www.niceforyou.com](http://www.niceforyou.com)).
- Si le produit est installé à une hauteur inférieure à 2,5 m du sol (ou d'une autre surface d'appui), il faut protéger les parties en mouvement de l'automatisme par un carter pour empêcher un accès accidentel. Pour la protection, faire référence au manuel d'instructions du volet (ou du store), en garantissant dans chaque cas l'accès pour les interventions de manutention.
- Pour les stores, il est important de garantir une distance horizontale de 40 cm minimum entre le store complètement ouvert et un éventuel obstacle situé devant lui.
- Durant l'installation manipuler avec soin le produit (fig. 2) : éviter les écrasements, les chocs, les chutes ou les contacts avec n'importe quel liquide ; ne pas introduire d'objets pointus dans le moteur ; ne pas percer ni appliquer de vis à l'extérieur du moteur ; ne pas mettre le produit à proximité de sources de chaleur ni l'exposer à des flammes vives.  
Ces actions peuvent l'endommager et causer des problèmes de fonctionnement ou des situations de danger. Dans ces cas suspendre immédiatement l'installation et s'adresser au service d'assistance de Nice.
- Ne pas appliquer de vis sur l'enrouleur sur la section traversée en son interne par le moteur. Ces vis pourraient endommager le moteur.
- Ne pas démonter le produit plus de ce qui est prévu dans manuel.
- Ne pas effectuer de modifications sur aucune partie du produit autres que celles prévues dans ce manuel. Le constructeur décline toute responsabilité pour les dommages dérivant de modifications arbitraires du produit.
- Le câble d'alimentation du moteur est en PVC et spécialement conçu pour un usage en intérieur. En cas d'usage à l'extérieur, protéger le câble sur toute sa longueur en l'introduisant dans une goulotte de protection pour câbles électriques.
- Le câble d'alimentation de l'appareil ne peut pas être remplacé. Si le câble est endommagé, l'appareil doit être mis au rebut.
- Ne pas utiliser plus d'un dispositif de commande pour un seul moteur tubulaire (fig. 4).
- Il est possible d'utiliser un seul dispositif de commande pour les moteurs tubulaires (fig. 5).
- Pour commander le produit, utiliser exclusivement des touches du type « commande à action maintenue », c'est-à-dire qu'il faut les maintenir enfoncées pendant toute la durée de la manœuvre.

### 1.2 - Recommandations pour l'utilisation

- Le produit n'est pas destiné à être utilisé par des personnes (enfants compris) aux capacités physiques, sensorielles ou mentales réduites, ou manquant d'expérience ou de connaissances.
- Ne pas laisser les enfants jouer avec les dispositifs de commande fixes.
- Durant le déroulement de la manœuvre contrôler l'automatisme et maintenir les personnes à distance de sécurité jusqu'à la fin du mouvement.
- Ne pas commander l'automatisme lorsque des travaux sont effectués dans son proche voisinage comme le nettoyage des vitres, la maintenance etc... Débrancher l'alimentation électrique avant d'effectuer ces travaux.
- Se rappeler de contrôler souvent les ressorts d'équilibrage et l'usure des câbles (si ces mécanismes sont présents). Ne pas utiliser le produit s'il a besoin d'être réglé ou réparé ; s'adresser exclusivement au personnel technique spécialisé pour la solution à ces problèmes.

## 2 DESCRIPTION DU PRODUIT ET USAGE PRÉVU

Le produit est un moteur tubulaire destiné à l'automatisation d'un volet, d'un store seul, d'un écran solaire ou d'un appareillage déroulable semblable (fig. 1). **Toute autre utilisation est interdite ! Le constructeur ne répond pas des dommages résultant d'une utilisation impropre du produit, différente de celle prévue dans ce manuel.**

Le produit a les caractéristiques suivantes :

- il est alimenté par le secteur (consulter les données dans l'étiquette du moteur) ;
- est de niveau à déplacer le volet (ou le store) en Montée et en Descente par le biais des touches murales (dispositifs non présents dans l'emballage) ;
- il est équipé d'un système qui interrompt automatiquement l'alimentation quand le volet (ou le store) atteint les positions en fin de course imposée (fig. 3) : position « 0 » (volet ou store totalement enroulé) et position « 1 » (volet ou store totalement déroulé) ;
- il s'installe à l'intérieur du tambour enrouleur. La partie du moteur qui dépasse du tambour (tête électronique) doit être fixée au plafond ou au mur à l'aide de supports spéciaux (non présents dans l'emballage) ;
- il est conçu pour un usage résidentiel et donc, discontinu. Il garantit dans tous les cas un temps de travail continu de 4 minutes maximum ;
- il est équipé d'un système de protection thermique qui, en cas de surchauffe due à une utilisation en continue de l'automatisme, outre les limites prévues, interrompt automatiquement l'alimentation électrique et rétablit la température pour qu'elle rentre dans la norme ;
- il est disponible en plusieurs versions, chacune avec un couple spécifique (puissance).

## 3 INSTALLATION DU MOTEUR ET DES ACCESSOIRES

### 3.1 - Vérifications préliminaires avant l'installation et limites d'utilisation

- Vérifier l'intégrité du produit immédiatement après l'avoir déballé.
- Le présent produit est disponible dans différentes versions chacune avec une paire moteur spécifique. Chaque version est conçue pour déplacer des volets (ou des stores) de dimensions et poids déterminés. Par conséquent, avant l'installation, assurez-vous que les paramètres du couple moteur, vitesse de rotation et temps de fonctionnement de ce produit sont éligibles pour automatiser votre volet (ou store) (voir « Guide de sélection » dans le catalogue de produits de Nice – [www.niceforyou.com](http://www.niceforyou.com)) En particulier, **ne pas installer le produit sur le couple moteur s'il est plus grand de celui nécessaire pour déplacer votre volet (ou store).**
- Vérifier le diamètre du tambour enrouleur. Cela doit être choisi en fonction du couple moteur, comme suit :
  - pour les moteurs de taille « M » ( $\varnothing = 45$  mm), avec un couple jusqu'à 35 Nm (compris), le diamètre interne minimum du tambour enrouleur doit être de 52 mm ;
  - pour les moteurs de taille « M » ( $\varnothing = 45$  mm), avec un couple supérieur à 35 Nm, le diamètre interne minimum du tambour enrouleur doit être de 60 mm.
- Avant d'automatiser un store vérifier qu'il y a un espace suffisant pour le déploiement complet du store prévu.
- En cas d'installation à l'extérieur, garantir au moteur une protection appropriée aux agents atmosphériques.

D'ultérieures limites d'utilisation sont contenues dans les chapitres 1, 2 et dans les caractéristiques techniques.

### 3.2 - Assemblage et installation du moteur tubulaire

**Attention ! - Avant de continuer lire attentivement le avertissements reportés dans les paragraphes 1.1 et 3.1. Une installation non correcte peut causer de graves blessures**

Pour assembler et installer le moteur se référer à la fig. 8. En outre consulter le catalogue dei produit Nice ou le site [www.niceforyou.com](http://www.niceforyou.com) pour choisir la couronne du fin de course (fig. 8-a), la roue l'entraînement (fig. 8-b) et se support du moteur (fig. 8-f).

### 3.3 - Installation d'un clavier de commande au mur

Installer sur le mur un interrupteur de commande, en veillant à :

- choisir un clavier de commande à 2 touches (montée et descente) ;
- il est conseillé d'utiliser un boîtier de commande qui fonctionne « en présence de l'homme » c'est-à-dire qui dans lequel il faut **maintenir enfoncée la touche** pendant la durée souhaitée de la manœuvre. Au relâchement, le bouton doit être tourné dans sa position initiale ;
- positionner le boîtier de commande dans un lieu qui ne soit pas accessible aux étrangers ;
- positionner le boîtier de commande en vue du volet (ou du store) mais éloigné de ses parties en mouvement ;
- positionner le boîtier de commande à côté du volet (ou du store), où le câble électrique provenant du moteur tubulaire et le câble d'alimentation provenant du réseau électrique sont présents (fig. 8-h) ;
- positionner le clavier à une hauteur supérieure à 1,5 m par rapport au sol.



## 4 BRANCHEMENTS ÉLECTRIQUES PREMIERE MISE E SERVICE

Durant les opérations d'installation et de réglage, quand les connexions électriques ne sont pas encore définitives, il est possible de commander le moteur tubulaire avec l'unité « TTU » (fig. 6).

### 4.1 - Branchement du moteur à un clavier de commande et au secteur

#### Avertissements:

- Une mauvaise connexion peut provoquer des pannes ou des situations de danger, veuillez respecter scrupuleusement les instructions de ce paragraphe.
- Le câble d'alimentation de l'appareil ne peut pas être remplacé. Si le câble est endommagé, l'appareil doit être mis au rebut.

Le moteur doit être alimenté à travers un branchement permanent au réseau électrique. Pour brancher le moteur au réseau électrique et à un boîtier de commande, faire référence à la fig. 7. Les conducteurs du câble ont la fonction suivante :

- **Marron** = Phase électrique de montée ou descente.
- **Noir** = Phase électrique de montée ou descente.
- **Bleu** = Commun (généralement connecté au Neutre).
- **Jaune-vert** = Terre (connexion équipotentielle de protection).

### 4.2 - Installation des dispositifs de protection sur la ligne d'alimentation électrique

Conformément aux règles d'installation électrique, il faut prévoir dans le réseau électrique alimentant le moteur un dispositif de protection contre le court-circuit et un dispositif de déconnexion du réseau électrique (les deux dispositifs ne sont pas inclus dans l'emballage). **Attention ! – Le dispositif doit avoir une distance d'ouverture entre les contacts permettant une déconnexion complète dans les conditions prévues par la catégorie de surtension III, conformément aux règles d'installation.**

Il faut positionner le dispositif de déconnexion près de l'automatisation et, s'il n'est pas visible, il doit prévoir un système de blocage de l'éventuelle reconnexion accidentelle ou non autorisée de l'alimentation pour éviter tout type de danger.

### 4.3 - Association des mouvements de Montée et de Descente aux touches respectives

À la fin des connexions, alimenter le moteur et vérifier si les mouvements de Montée et de Descente sont correctement associées aux touches de commande respectives. Si ce n'est pas le cas, inverser la connexion entre les conducteurs **Marron** et **Noir**.

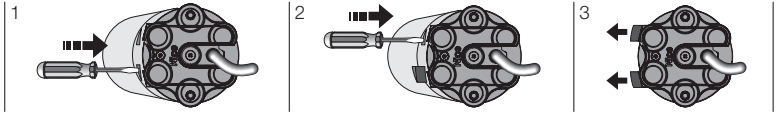
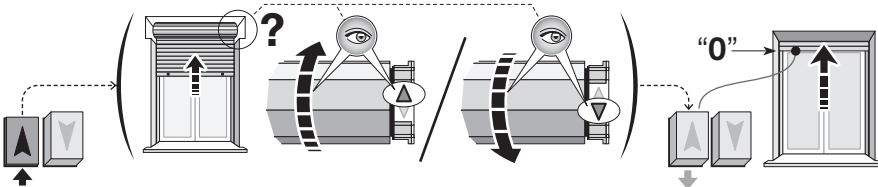
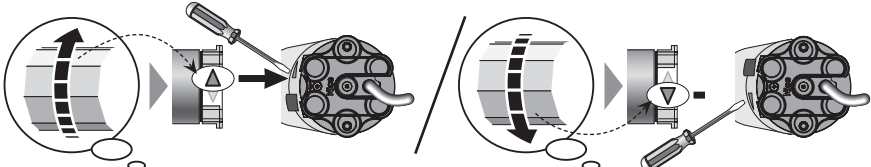
## 5 RÉGLAGE DES FINS DE COURSE

### 5.1 - Programmation des fins de course

Pendant les mouvements de montée et de descente, fermer automatiquement le volet (ou le store) dans le moment dans lequel il rejoint une position de fin de course (fig. 3) : position « 0 » = volet (ou store) totalement enroulé ; position « 1 » = volet (ou store) totalement déroulé. Pour programmer ces positions, procéder de la façon suivante.

#### Avertissements :

- Les deux touches « flèches » présentes sur la touche du moteur permettent, chacune, de programmer une fin de course. Le moteur sort de l'usine avec ces boutons appuyés et, donc, avec les fins de course déjà programmées avec des parties arbitraires. Pour régler ces parties selon les caractéristiques spécifiques de votre volet (ou de votre store), utiliser la procédure suivante.
- Au point 02 de la procédure, la première côte à programmer peut être choisie librement, sur la base de sa propre nécessité.

<p><b>01.</b> S'assurer que les deux touches « flèches » positionnées sur le haut du moteur soient relâchées c'est-à-dire qu'elles tendent totalement la superficie du moteur. Elles sont conformes au fil de la superficie (position enfoncée), les relâcher en appuyant à fond chaque touche avec l'aide d'un tournevis.</p>	
<p><b>02.</b> Utiliser la touche de commande murale pour mener le volet (ou le store) à la hauteur souhaitée pour la fin de course (dans l'exemple il est rapporté la fin de course Haute « 0 »). <b>IMPORTANT!</b> – pendant la manipulation, <b>observer dans quelle direction tourne le rouleau enrouleur et, sur la touche moteur, identifier la touche avec la flèche vers la même direction dans laquelle tourne le rouleau.</b> Enfin, fermer la manoeuvre. <b>Note</b> – Pour effectuer un réglage éventuelle de la fin de course, utiliser les deux touches du boîtier de commande mural.</p>	
<p><b>03.</b> Enfin, mémoriser la côte en appuyant à fond (à l'aide d'un tournevis) la touche « flèche », en observant d'abord la touche du moteur : celui-ci <b>doit rester bloqué en position enfoncée.</b></p>	
<p><b>04.</b> Pour régler l'autre fin de course utiliser la touche de commande murale pour porter le volet (ou le store) à la côte désirée pour cette fin de course.</p>	
<p><b>05.</b> Enfin, mémoriser la côte en appuyant à fond (à l'aide d'un tournevis) la touche « flèche », non utilisée en observant d'abord la touche du moteur : celle-ci <b>doit rester bloquée en position enfoncée.</b></p>	

### 5.2 - Pour modifier seulement une des deux côtes de fin de course mémorisée

Pour modifier une fin de course déjà mémorisée (sans modifier l'autre fin de course), procéder de la façon suivante :

<p><b>01.</b></p>	<p>Avec le boîtier de commande mural, commander le volet (ou le store) en faisant déplacer de quelques centimètres dans la direction de la fin de course que vous souhaitez modifier : <b>pendant la manipulation, observer dans quelle direction tourne le rouleau enrouleur ; puis identifier la touche avec la flèche vers la même direction dans laquelle tourne le rouleau</b> et fermer la manoeuvre.</p>
<p><b>02.</b></p>	<p>(sur la touche du moteur) Avec le volet (ou le store) <u>en position</u>, relâcher la touche « flèche » dès que la côte est déterminée (appuyer sur la touche avec un tournevis).</p>
<p><b>03.</b></p>	<p>Avec le boîtier de commande mural, compléter la manoeuvre interrompue au point 01, en portant le volet (ou le store) dans la nouvelle côte de fin de course. <b>Note</b> – Pour effectuer une régulation éventuelle de la fin de course, utiliser les deux touches du boîtier de commande mural.</p>
<p><b>04.</b></p>	<p>(sur la touche du moteur) Avec le volet (ou le store) <u>en position de fin de course</u>, mémoriser la nouvelle côte en appuyant à fond (à l'aide d'un tournevis) la touche « flèche » en repérant d'abord sur la touche du moteur: celle-ci <b>doit rester bloquée en position enfoncée.</b></p>

## Que faire si... (guide pour la résolution des problèmes)

- **Alimentation d'une phase (Montée ou descente) du moteur non partie**
  - a) Vérifier si la protection thermique du moteur est en cours. Dans ce cas, pour restaurer les fonctions normales de fonctionnement, il suffit d'attendre que le moteur se refroidisse.
  - b) Vérifier si le réseau est sous tension, et si celle-ci correspond aux valeurs reportées sur la plaque du moteur.
  - c) Vérifier si le moteur est bloqué en fin de course, dans les deux sens de rotation. Dans ce cas, il suffit de baisser à nouveau les côtes de fin de course, en utilisant la procédure décrite dans le chapitre 5.
  - d) Vérifier si le boîtier de commande a été branché correctement (faire référence à la fig. 7).
  - e) Vérifier si le câble d'alimentation est intégré.
- **Si le moteur ne se positionne pas automatiquement quand il arrive en fin de course.**
  - a) S'assurer que les deux touches « flèche » présentes sur le haut du moteur sont enfoncées, c'est-à-dire au niveau de la surface du moteur.
  - b) Pendant la manœuvre, s'assurer que le tambour enrouleur traîne le collier de fin de course (fig. 8-h).
- **Si pendant la première manœuvre, le déplacement des positions des fins de courses programmées précédemment se vérifie.**
  - a) Effectuer de nouveau la procédure du chapitre 5, de façon à compenser les jeux entre les mécanismes.

Si après ces contrôles des problèmes persistent, faites appel à un technicien qualifié ou bien contacter le Service Assistance de Nice.

## Mise au rebut du produit

Ce produit est partie intégrante de l'automatisme et doit donc être mis au rebut avec ce dernier.

De même que pour les opérations d'installation, à la fin de la vie de ce produit, les opérations de mise au rebut doivent être effectuées par du personnel qualifié.

Ce produit se compose de différents types de matériaux : certains peuvent être recyclés, d'autres doivent être éliminés. Renseignez-vous sur les programmes de recyclage ou d'élimination prévus par les règlements en vigueur dans votre région pour cette catégorie de produit. **Attention !** – certains composants du produit peuvent contenir des substances polluantes ou dangereuses qui pourraient avoir des effets nuisibles sur l'environnement et sur la santé des personnes s'ils étaient jetés dans la nature. Comme l'indique le symbole ci-contre, il est interdit de jeter ce produit avec les déchets domestiques. Par conséquent, utiliser la méthode de la « collecte sélective » pour la mise au rebut des composants conformément aux prescriptions des normes en vigueur dans le pays d'utilisation ou remettre le produit au vendeur lors de l'achat d'un nouveau produit équivalent. **Attention !** – les règlements en vigueur localement peuvent prévoir de lourdes sanctions en cas d'élimination sauvage de ce produit.



Les matériaux d'emballage du produit doivent être mis au rebut dans le plein respect des normes locales en vigueur.

## Caractéristiques techniques

**Dans tous les cas, se référer aux données de la plaque signalétique du moteur.**

**Remarque :** • Toutes les caractéristiques techniques indiquées se réfèrent à une température ambiante de 20 °C (± 5 °C). • Nice S.p.a. se réserve le droit d'apporter des modifications au produit à tout moment si elle le juge nécessaire, en garantissant dans tous les cas les mêmes fonctions et le même type d'utilisation prévu.

## Déclaration UE de conformité simplifiée

Le soussigné, NICE S.p.A., déclare que l'équipement radioélectrique du type E QUICK M 817 SH, E QUICK M 1517 SH, E QUICK M 3017 SH, est conforme à la directive 2014/53/UE.

Le texte complet de la déclaration UE de conformité est disponible à l'adresse internet suivante : <https://www.niceforyou.com/fr/support>.

### CONFORMITÉ AUX NORMES CNR-210 ET AUX NORMES FCC (PARTIE 15)

Le présent appareil est conforme aux normes CNR-210 d'Industrie Canada, applicables aux appareils radio exempts de licence, et à la Partie 15 des normes FCC des Etats-Unis d'Amérique. L'exploitation est autorisée aux deux conditions suivantes : (1) l'appareil ne doit pas produire de brouillage; (2) l'utilisateur de l'appareil doit accepter tout brouillage radioélectrique subi, même si le brouillage est susceptible d'en compromettre le fonctionnement. Toutes les changements ou les modifications apportés à cet appareil, sans l'autorisation expresse du fabricant, pourrait annuler l'autorité de l'utilisateur à utiliser l'équipement.

# Manual completo

**Nota para consultar el manual** – Algunas figuras citadas en el texto se detallan al final del manual.

## 1 ADVERTENCIAS Y PRECAUCIONES GENERALES DE SEGURIDAD

- ¡Atención! – Instrucciones importantes de seguridad: conserve estas instrucciones.
- ¡Atención! – Es importante respetar estas instrucciones a fin de preservar la seguridad de las personas; por tanto, antes de empezar a trabajar, es preciso leer detenidamente este manual.

### 1.1 - Advertencias de instalación

- Todas las operaciones de instalación, conexión, programación y mantenimiento del producto debe llevarlas a cabo única y exclusivamente un técnico cualificado y competente a tal efecto, respetando en todo momento las leyes, la normativa, los reglamentos locales y las instrucciones descritas en el presente manual.
- Antes de comenzar con la instalación, lea el apartado 3.1 para comprobar si el producto es adecuado para automatizar la persiana o el toldo. Por tanto, NO proceda con la instalación en caso de que no se trate del producto adecuado.
- Es necesario que el sistema de automatización esté desconectado de la fuente de alimentación para proceder con las operaciones de instalación y mantenimiento del producto. Además, antes de iniciar la instalación, cuelgue del dispositivo de desconexión un cartel con la siguiente indicación: "¡ATENCIÓN! MANTENIMIENTO EN CURSO".
- Antes de proceder con las tareas de instalación, aleje todos los cables eléctricos de los que no se precise para desarrollar el procedimiento y desactive todos los mecanismos que no sean necesarios para el funcionamiento de la persiana o del toldo, según proceda.
- Durante la instalación, mantenga alejadas a todas las personas de la persiana o del toldo cuando estos mecanismos se estén moviendo.
- En el catálogo de productos de Nice ([www.niceforyou.com](http://www.niceforyou.com)) puede encontrar una lista de los componentes mecánicos necesarios para montar este motor en la persiana o en el toldo.
- Si el producto se instalará a menos de 2,50 m de altura del suelo, o de otra superficie de apoyo, es necesario proteger con una cubierta las piezas móviles para que no puedan ser tocadas accidentalmente. Para proteger el equipo, consulte el manual de instrucciones de la persiana o del toldo, según proceda. Asimismo, debe garantizar en todo momento el acceso para las tareas de mantenimiento.
- En los toldos es necesario garantizar una distancia horizontal mínima de 40 cm entre el toldo completamente abierto y un objeto fijo colocado delante.
- Durante la instalación manipule con cuidado el producto (fig. 2): trate de evitar aplastamientos, golpes, caídas o contactos con cualquier líquido; no introduzca objetos puntiagudos en el motor; no perforo ni aplique tornillos en la parte exterior del motor; no coloque el producto cerca de fuentes de calor y no lo exponga al fuego. Esto podría averiar el producto y provocar desperfectos de funcionamiento o situaciones peligrosas. En estos casos, suspenda inmediatamente la instalación y contacte con el Servicio de Asistencia Nice.
- No coloque tornillos en el cilindro de enrollamiento en el tramo atravesado internamente por el motor, ya que estos podrían dañar el motor.
- No aplique procedimientos distintos a los descritos en este manual para desmontar el producto.
- No realice modificaciones en ningún componente del producto si estas no están contempladas en el presente manual, ya que, el fabricante también declina cualquier responsabilidad derivada de los daños que puedan resultar de modificaciones arbitrarias realizadas en el producto.
- El cable de alimentación del motor es de PVC y es adecuado para el uso en ambientes interiores. Para el uso en otros ambientes proteger el cable en toda su longitud, introduciéndolo en un conducto específico para la protección de cables eléctricos.
- El cable de alimentación del aparato no se puede sustituir. Si el cable está dañado, el aparato se debe desechar.
- No utilice más de un dispositivo de mando para un único motor tubular (fig. 4).
- Puede utilizar un único dispositivo de mando para varios motores tubulares (fig. 5).
- Para accionar el producto utilice únicamente los botones que funcionan con el sistema de "hombre presente", es decir aquellos que hay que mantener pulsados durante todo el movimiento.

### 1.2 - Advertencias de uso

- El producto no está destinado para ser utilizado por personas (niños incluidos) cuyas capacidades físicas, sensoriales o mentales sean reducidas, o sin experiencia ni conocimientos.
- No permita que los niños jueguen con los dispositivos de mando fijos.
- Durante la ejecución de una maniobra, controle el sistema de automatización y asegúrese de que las personas respeten la distancia de seguridad hasta que el sistema deje de moverse.
- No ponga en funcionamiento el sistema de automatización cuando en sus proximidades se estén realizando tareas como la limpieza de los cristales, labores de mantenimiento, etc. Además, es necesario desconectar la fuente de alimentación antes de realizar estas tareas.
- No olvide comprobar con frecuencia los muelles de equilibrio y el desgaste de los cables, siempre que el sistema esté dotado de estos componentes. No utilice el sistema de automatización en caso de que este precise de ajustes o reparaciones; de ser así, remítase exclusivamente a personal técnico cualificado para solucionar estos problemas.

## 2 DESCRIPCIÓN DEL PRODUCTO Y USO PREVISTO

El producto es un motor tubular destinado para automatizar persianas, toldos, pantallas solares o sistemas enrollables similares (fig. 1). **¡Queda prohibido realizar cualquier otro uso! De hecho, el fabricante no se hace responsable de los daños derivados del uso inadecuado del producto, salvo en los casos previstos en el presente manual.**

Las características del producto son las siguientes:

- se alimenta de la red eléctrica (consultar los datos en la placa del motor);
- permite Abrir y Cerrar la persiana o el toldo a través de los botones del componente acoplado en la pared. (dispositivos no incluidos en el paquete);
- Incorpora un sistema que interrumpe automáticamente la alimentación cuando la persiana o el toldo llegan a las posiciones configuradas de los topes (fig. 3): posición "0" (persiana o toldo totalmente enrollados) y posición "1" (persiana o toldo totalmente desenrollados).
- se instala en el interior del cilindro de enrollamiento; la parte del motor que sobresale (cabeza electrónica) se fija en el techo o en la pared con bridas de soporte (no incluidos en el paquete);
- el producto ha sido diseñado para uso residencial y, por lo tanto, para un uso discontinuo. De todas maneras, garantiza un tiempo de funcionamiento continuo de 4 minutos como máximo;
- incorpora un sistema de protección térmica que, en caso de sobrecalentamiento debido al uso continuo del sistema de automatización de forma que se sobrepasen los límites establecidos, interrumpe automáticamente la alimentación eléctrica y la restablece cuando la temperatura vuelve a ser normal;
- se encuentra disponible en varias versiones; cada una de ellas incorpora un par motor determinado (potencia).

## 3 INSTALACIÓN DEL MOTOR Y DE LOS ACCESORIOS

### 3.1 - Controles previos a la instalación y límites de utilización

- Compruebe la integridad del producto inmediatamente después de desembalarlo.
- Este producto está disponible en varias versiones y cada una de ellas cuenta con un par motor específico. Cada versión está diseñada para mover persianas o toldos con una dimensión y un peso determinados. Por tanto, antes de proceder a la instalación, asegúrese de que los parámetros del par motor, la velocidad de rotación y el tiempo de funcionamiento de este producto sean adecuados para automatizar la persiana o el toldo (consulte la "Guía de selección" que se encuentra en el catálogo de productos de Nice, disponible en [www.niceforyou.com](http://www.niceforyou.com)). Concretamente, **no instale el producto si el par motor es mayor del que se necesita para mover la persiana o el toldo.**
- Compruebe el diámetro del cilindro de enrollamiento, ya que este debe elegirse en función del par motor. Para ello, es necesario tener en cuenta lo siguiente:
  - para los motores de talla "M" ( $\varnothing = 45$  mm), con un par motor hasta que 35 Nm (incluido), el diámetro interior mínimo del cilindro de enrollamiento debe ser de 52 mm;
  - para los motores de talla "M" ( $\varnothing = 45$  mm), con un par motor superior a 35 Nm, el diámetro interior mínimo del cilindro de enrollamiento debe ser de 60 mm.
- Antes de automatizar un toldo, asegúrese de que delante del mismo haya espacio libre suficiente para poder abrirlo completamente.
- En caso de realizar la instalación en exteriores, asegúrese de garantizar una protección adecuada del motor frente a condiciones atmosféricas adversas.

En los capítulos 1, 2 y en la sección "Características técnicas" se especifican límites de utilización adicionales.

### 3.2 - Montaje e instalación del motor tubular

**¡Atención! - Antes de continuar, lea atentamente las advertencias contenidas en los apartados 1.1 y 3.1. Una instalación incorrecta puede causar graves lesiones.**

Para montar e instalar el motor, consulte la fig. 8. Además, puede consultar el catálogo de productos de Nice o visitar el sitio [www.niceforyou.com](http://www.niceforyou.com) para seleccionar la corona del tope (fig. 8-a), la rueda motriz (fig. 8-b) y la brida de soporte del motor (fig. 8-f).

### 3.3 - Instalación de una botonera de pared

Instale en la pared una botonera de mando, observando las siguientes advertencias:

- escoja una botonera de 2 pulsadores (Subida y Bajada);
- es aconsejable utilizar un teclado que funcione manualmente, en cuyo caso es necesario mantener presionado el botón durante el tiempo necesario hasta que el sistema llegue a la posición deseada. Al soltar el botón, este debe volver a la posición inicial;
- coloque el teclado en un lugar al que no puedan acceder personas ajenas;
- coloque el teclado en un lugar desde el que se pueda ver la persiana o el toldo, pero lejos de sus partes móviles;
- coloque el teclado al lado de la persiana o del toldo, donde esté el cable eléctrico procedente del motor tubular y el cable de alimentación procedente de la red eléctrica (fig. 8-h);
- coloque la botonera a no menos de 1,50 m de altura del suelo.

## 4 CONEXIONES ELÉCTRICAS Y PRIMER ENCENDIDO

Durante los trabajos de instalación y regulación, cuando aún no están hechas las conexiones eléctricas definitivas, es posible accionar el motor tubular con la unidad "TTU" (fig. 6).

### 4.1 - Conexión del motor a una botonera de mando y a la red eléctrica

#### Advertencias:

- Una conexión incorrecta puede provocar averías o situaciones de peligro; por tanto, respete rigurosamente las instrucciones recogidas en esta sección.
- El cable de alimentación del aparato no se puede sustituir. Si el cable está dañado, el aparato se debe desechar.

El motor debe alimentarse a través de una conexión permanente a la red eléctrica. Para conectar el motor a la red eléctrica y a un teclado de mando, remítase a la fig. 7. Los conductores del cable de conexión tienen las siguientes funciones:

- **Color Marrón** = Fase eléctrica de subida o bajada.
- **Color Negro** = Fase eléctrica de subida o bajada.
- **Color Azul** = Común (generalmente conectado al Neutro).
- **Color Amarillo-Verde** = Tierra (conexión equipotencial de protección).

### 4.2 - Instalación de los dispositivos de protección en la red de alimentación eléctrica

En conformidad con las reglas de instalación eléctrica, es preciso que la red que alimenta el motor cuente con un dispositivo de protección contra cortocircuitos y con un dispositivo de desconexión de la red eléctrica (estos dos dispositivos no se encuentran en el embalaje). **¡Atención!** - El dispositivo de desconexión debe tener una distancia de apertura entre los contactos, de forma que permita la desconexión completa de la fuente de alimentación, en las condiciones estables de la categoría de sobretensión III.

El dispositivo de desconexión debe estar puesto en un lugar visible del sistema de automatización y, de no ser así, debe llevar un sistema que permita bloquear cualquier reconexión accidental o no autorizada de la alimentación, para evitar riesgos.

### 4.3 - Combinación de los movimientos de Subida y Bajada con los botones respectivos

Al concluir las conexiones, alimente el motor y controle si los movimientos de Subida y Bajada están combinados correctamente con los botones de mando respectivos. Si así no fuera, invierta la conexión entre los conductores **Marrón y Negro**.

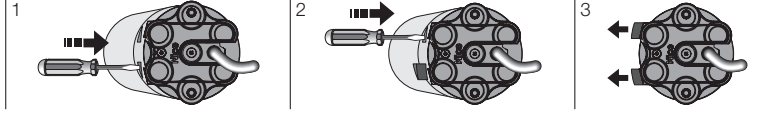
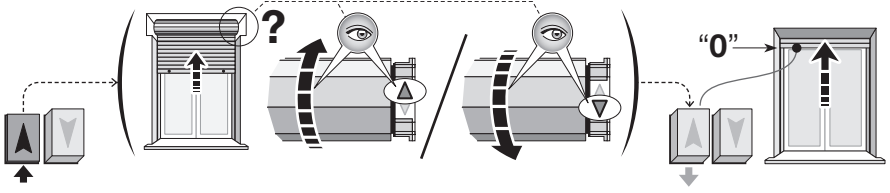
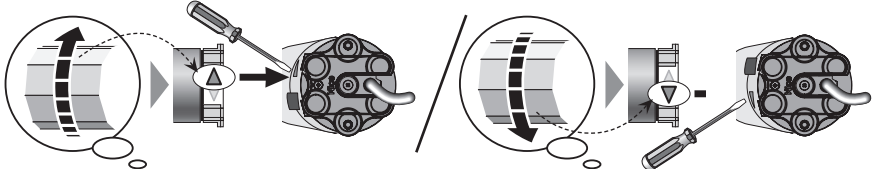
## 5 AJUSTE DE LOS TOPES

### 5.1 - Programación de los dos topes

Durante el movimiento de apertura y cierre, el motor detiene automáticamente la persiana o el toldo en el momento en que alcanzan la posición del tope (fig. 3): posición "0" = persiana o toldo totalmente enrollados; posición "1" = persiana o toldo totalmente desenrollados. Para programar estas posiciones, proceda como se indica a continuación.

#### Advertencias:

- Cada uno de los dos botones de flecha que se encuentran en el frontal del motor permite programar un tope. El motor sale de fábrica con estos botones pulsados y, por tanto, con topes programados con cotas arbitrarias. Para ajustar estas cotas según las características específicas de la persiana o el toldo que haya instalado, aplique el siguiente procedimiento.
- En el punto 02 del procedimiento, la primera cota que se ha de programar se puede elegir de forma libre, según las necesidades de cada instalación.

<p><b>01.</b> Compruebe que los dos botones de flecha que se encuentran en el frontal del motor no estén pulsados, es decir, que sobresalgan totalmente de la superficie del motor. Si se encuentran a ras de la superficie (pulsados), presione cada uno de ellos hasta el fondo con la ayuda de un destornillador para liberarlos.</p>	
<p><b>02.</b> Utilice el teclado de mando de pared para mover la persiana o el toldo hasta que lleguen a la cota deseada para el tope (en el ejemplo se ilustra el tope Alto "0"). <b>¡IMPORTANTE!</b> - Durante la maniobra, observe en qué dirección gira el cilindro enrollable y, en el frontal del motor, determine el botón con la flecha que siga la misma dirección en que gira el cilindro. A continuación, detenga la maniobra. <b>Nota</b> - Para realizar un ajuste eventual de la cota, utilice los dos botones del teclado de pared.</p>	
<p><b>03.</b> Por último, memorice la cota; para ello, pulse hasta el fondo (con la ayuda de un destornillador) el botón de flecha determinado anteriormente en el frontal del motor: <b>debe permanecer pulsado.</b></p>	
<p><b>04.</b> Para ajustar el otro tope, utilice el teclado de mando de pared para mover la persiana o el toldo hasta llegar a la cota deseada para este tope.</p>	
<p><b>05.</b> Por último, memorice la cota; para ello, pulse hasta el fondo (con la ayuda de un destornillador) el botón de flecha que no ha utilizado anteriormente en el frontal del motor: <b>debe permanecer pulsado.</b></p>	

### 5.2 - Para modificar solo una de las dos cotas de tope memorizadas

Para modificar un tope que ya esté memorizado (sin modificar el otro), proceda como sigue:

<p><b>01.</b> Con el teclado de pared, accione la persiana o el toldo de forma que se muevan unos pocos centímetros en la dirección del tope que desea modificar. <b>Durante la maniobra, observe en qué dirección gira el cilindro enrollable; a continuación, en el frontal del motor, determine el botón con la flecha que siga la misma dirección en que gira el cilindro</b> y, a continuación, detenga la maniobra.</p>	
<p><b>02.</b> (En el frontal del motor) Con la persiana o el toldo <u>detenidos</u>, suelte el botón de flecha justo después de haberlo determinado (pulse el botón con un destornillador).</p>	
<p><b>03.</b> Con el teclado de mando de pared, complete la maniobra interrumpida en el punto 01, de forma que la persiana o el toldo se muevan hasta llegar a la nueva cota del tope. <b>Nota</b> - Para realizar un ajuste eventual de la cota, utilice los dos botones del teclado de pared.</p>	
<p><b>04.</b> (En el frontal del motor) Con la persiana o el motor <u>detenidos en el tope</u>, pulse al máximo el botón de flecha determinado anteriormente en el frontal del motor para memorizar la nueva cota. <b>debe permanecer pulsado.</b></p>	

## Cómo proceder si... (orientación para la solución de problemas)

- **El motor no se acciona con alimentación en una sola fase (Subida o Bajada).**
  - a) Compruebe si la protección térmica del motor está activada. En este caso, para restablecer el funcionamiento normal, basta con esperar a que el motor se enfríe.
  - b) Compruebe si hay tensión en la red y si esta se corresponde con los valores indicados en la placa del motor.
  - c) Compruebe si el motor está bloqueado en los topes, en ambos sentidos de rotación. En este caso, basta con ajustar de nuevo las cotas de los topes, para lo que debe seguir el procedimiento descrito en el capítulo 5.
  - d) Compruebe si el teclado de mando se ha conectado correctamente (remitase a la **fig. 7**).
  - e) Compruebe si el cable de alimentación está íntegro.
- **Si el motor no se detiene automáticamente cuando llega a un tope.**
  - a) Compruebe que los dos botones de flecha que se encuentran en el frontal del motor estén **presionados**, es decir, a ras de la superficie del motor.
  - b) Durante la maniobra, asegúrese de que el cilindro enrollable arrastre la polea del tope (**fig. 8-h**).
- **Si durante la primera maniobra se verifica el desplazamiento de las posiciones de los topes programados anteriormente.**
  - a) Aplique de nuevo el procedimiento del capítulo 5 a fin de compensar los desajustes presentes entre los mecanismos.

Si persisten los problemas después de realizar estas comprobaciones, póngase en contacto con personal técnico cualificado o con el servicio de asistencia de Nice.

## Desecho del producto

Este producto forma parte integrante del automatismo y, por consiguiente, deberá ser eliminado junto con éste.

Al igual que con la instalación, incluso al finalizar la vida útil del producto en cuestión, las operaciones de eliminación deben realizarlas personas cualificadas a tal efecto.

Este producto está fabricado con varios tipos de material: algunos se pueden reciclar y otros se deben desechar. Es preciso obtener información acerca de los sistemas de reciclaje y eliminación previstos en los reglamentos aplicables en su región para esta categoría de producto. **¡Atención!** – Algunos componentes del producto pueden contener sustancias contaminantes o peligrosas que, de liberarse al medio ambiente, podrían causar daños graves al medio ambiente y a la salud humana. Según indica el símbolo que aparece en el lateral, está prohibido desechar este producto en lugares habilitados para residuos domésticos. Por tanto, practique la recogida selectiva para su eliminación en función de los métodos estipulados en los reglamentos vigentes en su región.

También puede devolver el producto al proveedor cuando vaya a adquirir un producto nuevo equivalente. **¡Atención!** – Los reglamentos aplicables a escala local pueden imponer fuertes sanciones en caso de que este producto se deseche de forma inadecuada.

El material de embalaje del producto debe eliminarse de conformidad con la normativa local.



## Características técnicas

### Tomar como referencia los datos de la placa del motor.

**Notas:** • Todas las características técnicas indicadas, se refieren a una temperatura ambiental de 20°C (± 5°C). • Nice S.p.a. se reserva el derecho de aportar modificaciones al producto, en cualquier momento que lo considere necesario, manteniendo las mismas funciones y destino de uso.

## Declaración UE de conformidad simplificada

Por la presente, NICE S.p.A., declara que el tipo de equipo radioeléctrico E QUICK M 817 SH, E QUICK M 1517 SH, E QUICK M 3017 SH, es conforme con la Directiva 2014/53/UE.

El texto completo de la declaración UE de conformidad está disponible en la dirección Internet siguiente: <https://www.niceforyou.com/es/soporte>.

# Vollständiges Handbuch

**Hinweis zur Benutzung der Betriebsanleitung** – Einige im Text genannte Abbildungen befinden sich am Ende des Handbuchs.

## 1 ALLGEMEINE WARNHINWEISE UND VORSICHTSMASSNAHMEN SICHERHEITSHINWEIS

- **Achtung! – Wichtige Sicherheitsanweisungen: Bewahren Sie diese Hinweise sorgfältig auf.**
- **Achtung! – Für die Sicherheit der Personen ist es wichtig, diese Anweisungen zu beachten; deshalb vor Beginn der Arbeit dieses Handbuch aufmerksam durchlesen.**

### 1.1 - Hinweise zur Installation

- Alle Installations-, Anschluss-, Programmierungs- und Wartungsarbeiten, die das Produkt betreffen, dürfen nur von einem kompetenten Fachtechniker unter Beachtung der Gesetze, der Bestimmungen, der örtlichen Regelungen und der in diesem Handbuch aufgeführten Anweisungen ausgeführt werden.
- Vor Beginn der Installation lesen Sie den Abschnitt 3.1, um sicherzustellen, dass das Produkt für die Automatisierung Ihres Rollladens (oder Ihrer Markise) geeignet ist. Wenn es nicht geeignet ist, fahren Sie mit der Installation NICHT fort.
- Alle Installations- und Wartungsarbeiten müssen bei elektrisch abgeschalteter Automation erfolgen. Außerdem, vor Beginn der Arbeit der Trennvorrichtung ein Schild mit der Aufschrift „ACHTUNG! LAUFENDE WARTUNGSARBEITEN“ anbringen.
- Vor Beginn der Installationsarbeiten alle nicht notwendigen Stromkabel aus dem Arbeitsbereich entfernen und alle Mechanismen, die für den motorisierten Betrieb Ihres Rollladens (oder Ihrer Markise) nicht notwendig sind, deaktivieren.
- Während der Installation Personen vom Rollladen (oder der Markise) fern halten, wenn sich dieser (diese) bewegt.
- Die Liste der zur Kopplung dieses Motors an den Rollladen (oder an die Markise) erforderlichen mechanischen Teile ist im Nice-Produktkatalog aufgeführt ([www.niceforyou.com](http://www.niceforyou.com)).
- Wenn das Produkt bei einer Höhe unter 2,5 vom Boden oder auf einer anderen Auflagefläche installiert wird, müssen seine sich bewegenden Teile mit einer Abdeckung geschützt werden, um einen unerwünschten Zugang zu vermeiden. Für die Schutzvorrichtung siehe Betriebsanleitung des Rollladens (oder der Markise), wobei der Zugang für die Wartungseingriffe jederzeit gewährleistet sein muss.
- Bei Markisen ist es dagegen notwendig, einen waagrechten Mindestabstand von 40 cm zwischen der vollständig geöffneten Jalousie und einem eventuell davor liegenden festen Gegenstand zu garantieren.
- Während der Installation das Produkt vorsichtig behandeln (**Abb. 2**): Quetschungen, Stöße, Herunterfallen oder Kontakte mit jeglichen Flüssigkeiten vermeiden; keine spitzen Gegenstände in den Motor bringen; nicht durchbohren und keine Schrauben außerhalb des Motors anbringen; das Produkt nicht in die Nähe von Wärmequellen bringen und keinen offenen Flammen aussetzen. Diese Ereignisse können das Produkt beschädigen und die Ursache für eine mangelhafte Funktion oder gefährliche Situationen sein. In diesen Fällen die Installation sofort unterbrechen und sich an den Kundendienst von Nice wenden.
- Bei der Installation dürfen auf dem Streckenverlauf der Aufwickelrolle, die den Rohrmotor durchquert, keine Schrauben angebracht sein. Diese Schrauben könnten den Motor beschädigen.
- Das Produkt nur soweit zerlegen, wie es von der Gebrauchsanweisung vorgesehen wird.
- Änderungen nur an Produktteilen vornehmen, für die diese im Handbuch vorgesehen und beschrieben sind. Der Hersteller übernimmt keinerlei Haftung für Schäden, die durch willkürlich veränderte Produkte entstanden sind.
- Das Stromkabel des Motors besteht aus PVC und eignet sich für den Einsatz in Innenräumen. Bei einer Verwendung in anderen Umgebungen muss das Kabel über seine gesamte Länge mit einer speziellen Schutzleitung für Stromkabel geschützt werden.
- Das Versorgungskabel des Geräts kann nicht ausgetauscht werden. Wenn das Kabel beschädigt ist, muss das Gerät verschrottet werden.
- Nicht mehr als eine Steuervorrichtung für einen einzelnen Rohrmotor verwenden (**Abb. 4**).
- Es ist möglich, eine einzelne Steuervorrichtung für mehrere Rohrmotoren zu verwenden (**Abb. 5**).
- Zur Steuerung des Produkts ausschließlich Druckknöpfe verwenden, die eine „Todmannfunktion“ aufweisen, bzw. die über die ganze Bewegungsdauer gedrückt werden müssen.

### 1.2 - Gebrauchshinweise

- Das Produkt ist nicht dafür bestimmt, durch Personen (einschließlich Kinder) mit eingeschränkten physischen, sensorischen oder geistigen Fähigkeiten oder mangels Erfahrung und/oder mangels Wissen benutzt zu werden.
- Kinder dürfen nicht mit den fest eingebauten Steuervorrichtungen spielen.
- Während der Ausführung eines Manövers den Automatikbetrieb kontrollieren und die Personen in einem Sicherheitsabstand halten, bis die Bewegung beendet ist.
- Steuern Sie die Automatik nicht, wenn Personen in der Nähe Reinigungsarbeiten, wie Fensterputzen, oder Wartungsarbeiten usw. ausführen. Vor Ausführung dieser Arbeiten immer den Strom abschalten.
- Denken Sie daran regelmäßig die Ausgleichsfedern und den Verschleiß der Kabel (falls diese Mechanismen vorhanden sind) zu überprüfen. Betätigen Sie die Automatik nicht, wenn Einstellung oder Reparaturen daran auszuführen sind; für die Lösung dieser Probleme wenden Sie sich ausschließlich an technisches Fachpersonal.

## 2 PRODUKTBE SCHREIBUNG UND EINSATZ

Bei dem Produkt handelt es sich um einen Rohrmotor, der für die Automatisierung eines Rollladens, einer Markise, eines Sonnenschutzes oder einer ähnlichen Rollvorrichtung bestimmt ist (**Abb. 1**). **Jeder anderweitiger Einsatz ist verboten! Der Hersteller haftet nicht bei Schäden, die auf einen unsachgemäßen Gebrauch des Produkts im Vergleich zu der Beschreibung in diesem Handbuch zurückzuführen ist.**

Das Produkt weist die folgenden Eigenschaften auf:

- wird vom Stromnetz gespeist (konsultieren Sie die Daten in der Typenschild des Motors);
- es ist in der Lage, den Rollladen (oder die Markise) über Wandschalter nach oben und nach unten zu bewegen (nicht in der Verpackung enthaltene Vorrichtungen);
- es ist mit einem System ausgestattet, das automatisch die Stromzufuhr unterbricht, wenn der Rollladen (oder die Markise) die eingestellten Endschalterpositionen erreicht (**Abb. 3**): Position „0“ (Rollladen oder Markise ganz aufgerollt) und Position „1“ (Rollladen oder Markise ganz abgerollt);
- wird in der Aufwickelrolle installiert; die aus der Rolle hervorstehende Motorseite (elektronischer Kopf) wird an der Decke oder an der Wand mit speziellen Haltebügeln befestigt (nicht in der Verpackung enthalten);
- es ist für Wohngebäude entwickelt worden und somit nicht für einen Dauerbetrieb gedacht. Es garantiert jedoch eine durchgehende Betriebszeit von höchstens 4 Minuten;
- es ist mit einem Wärmeschutzsystem ausgestattet, welches bei Überhitzung durch Dauereinsatz der Automatisierung über die vorgesehenen Grenznutzungsbedingungen hinaus ausgelöst wird; in diesem Fall wird die Stromzufuhr automatisch unterbrochen und nach Wiederherstellung der normalen Betriebstemperatur wieder eingeschaltet;
- erhältlich in verschiedenen Versionen, jede mit einem bestimmten Drehmoment (Leistung).

## 3 INSTALLATION DES MOTORS UND DER ZUBEHÖRTEILE

### 3.1 - Kontrollen vor der Installation und Einsatzbeschränkungen

- Überprüfen Sie das Produkt sofort nach dem Auspacken auf seine Unversehrtheit.
- Dieses Produkt ist in verschiedenen Ausführungen erhältlich. Jede Ausführung ist für die Bewegung von Rollläden (oder Markisen) mit einem bestimmten Ausmaß und Gewicht ausgelegt. Deshalb vergewissern Sie sich vor der Installation, ob die Parameter des Drehmoments, der Drehgeschwindigkeit und der Betriebszeit des vorliegenden Produkts mit den Anforderungen der Automatisierung Ihres Rollladens (oder Ihrer Markise) geeignet sind (siehe „Leitfaden zur Wahl des Produkts“ im Produktkatalog Nice – [www.niceforyou.com](http://www.niceforyou.com)). Insbesondere, **installieren Sie das Produkt nicht, wenn das Drehmoment desselben über dem für die Bewegung Ihres Rollladens (oder Ihrer Markise) notwendigen Drehmoment liegt.**
- Überprüfen Sie den Durchmesser der Aufwickelrolle. Diese muss entsprechend dem Drehmoment des Motors folgendermaßen gewählt werden:
  - für die Motoren der Größe „M“ ( $\varnothing = 45 \text{ mm}$ ), mit einem Drehmoment von bis zu **35 Nm (einschließlich)**, muss der Innendurchmesser mindestens 52 mm betragen;
  - für die Motoren der Größe „M“ ( $\varnothing = 45 \text{ mm}$ ), mit einem größeres Drehmoment von **35 Nm**, muss der Innendurchmesser mindestens 60 mm betragen.
- Bevor man eine Markise automatisiert, muss man prüfen, dass vor derselben genügend freier Platz vorhanden ist, um sie komplett öffnen zu können.
- Im Falle einer Installation im Freien muss der Motor einen geeigneten Schutz gegen Witterungsverhältnisse gewährleisten.

Weitere Einsatzbeschränkungen können Sie den Angaben im Kapitel 1.2 und den „Technischen Merkmalen“ entnehmen.

### 3.2 - Zusammenbau und Installation des Rohrmotors

**Achtung! - Bevor Sie mit der Arbeit beginnen lesen Sie aufmerksam die Hinweise in den Paragraphen 1.1 und 3.1. Eine fehlerhafte Installation kann zu ernsthaften Verletzungen führen.**

Für den Zusammenbau und die Installation des Motors, beziehen Sie sich auf die **Abb. 8**. Lesen Sie außerdem im Produktkatalog Nice oder auf der Webseite [www.niceforyou.com](http://www.niceforyou.com) nach, welchen Endschalterkranz (**Abb. 8-a**), welches Mitnehmerrad (**Abb. 8-b**) und welchen Motorbefestigungsbügel (**Abb. 8-f**) Sie benötigen.

### 3.3 - Wandinstallation der Bedienschalter

Bei der Befestigung der Druckknopftafel an die Wand sind folgende Anweisungen zu beachten:

- Eine Druckknopftafel mit 2 Druckknöpfen wählen (Anheben und Senken);
- Es wird empfohlen, die Bewegung über eine „Bedienung über die Bedientafel“ erfolgen zu lassen, d.h. indem der Schalter für den gewünschten Zeitraum der Bewegung gedrückt gehalten werden muss. Beim Loslassen muss der Schalter in seine Ausgangsposition zurückkehren;
- Die Bedientafel an einem für fremde Personen unzugänglichem Ort anbringen;
- Die Bedientafel in Sichtweite des Rollladens (oder der Markise), aber entfernt von seinen beweglichen Teilen anbringen;
- Die Bedientafel auf der Seite des Rollladens (oder der Markise) anbringen, wo das Stromkabel des Rohrmotors und das Stromkabel der Stromversorgung vorhanden sind (**Abb. 8-h**);
- Die Druckknopftafel in über 1,5 m Höhe vom Fußboden anbringen.

## 4 ELEKTRISCHE ANSCHLÜSSE VOR DEM EINSCHALTEN

Für den Fall, dass die definitiven elektrischen Anschlüsse noch nicht vorhanden sind, kann der Antrieb bei den Installations- und Einstellarbeiten über die eigens dazu bestimmte "TTU"-Einheit (Abb. 6) gesteuert werden.

### 4.1 - Anschluss des Motors an eine Steuerdruckknopftafel und an das Stromnetz

#### Hinweise:

- Ein falscher Anschluss kann Betriebsstörungen oder gefährliche Situationen verursachen: Halten Sie sich strikt an die Anweisungen dieses Abschnitts.
- Das Versorgungskabel des Geräts kann nicht ausgetauscht werden. Wenn das Kabel beschädigt ist, muss das Gerät verschrottet werden.

Der Motor muss über einen Daueranschluss am Stromnetz versorgt werden. Für den Anschluss des Motors am Stromnetz und an einer Bedientafel siehe **Abb. 7**. Die Leiter des Anschlusskabels werden wie folgt verwendet:

- **Braun** = elektrische Anstiegs- oder Senkphase.
- **Schwarz** = elektrische Anstiegs- oder Senkphase.
- **Blau** = gemeinsamer Leiter (im Allgemeinen mit dem Nullleiter verbunden).
- **Gelb/Grün** = Erde (äquipotentielle Schutzverbindung).

### 4.2 - Installation der Schutzvorrichtungen innerhalb des Stromnetzes

In Übereinstimmung mit den Vorschriften für elektrische Installationen müssen im Stromversorgungsnetz des Motors ein **Kurzschlusschutz** und ein **Lasttrennschalter** installiert werden (die zwei Vorrichtungen sind nicht in der Verpackung enthalten).

**Achtung! – Die Trennvorrichtung muss einen Öffnungsabstand der Kontakte aufweisen, welcher eine vollständige Trennung vom Stromnetz unter den Bedingungen der Überspannungskategorie III ermöglicht.**

Der Lasttrennschalter muss vom Antrieb aus sichtbar sein. Im gegenteiligen Fall ist ein System zu installieren, das einen versehentlichen oder nicht autorisierten Anschluss der Netzspannung verhindert, um jede mögliche Gefahr auszuschließen.

### 4.3 - Zuweisung der Anstiegs- und Senkbewegungen an die jeweiligen Druckknöpfe

Am Ende der Anschlüsse den Motor einschalten und prüfen, ob die Anstiegs- und Senkbewegungen korrekt mit den jeweiligen Steuerdruckknöpfen verbunden sind. Wenn dies nicht der Fall ist, den Anschluss unter den **Braunen** und **Schwarzen** Leitern umkehren.

## 5 EINSTELLUNG DER ENDSCHALTER

### 5.1 - Programmierung der beiden Endschalter

Während der Auf- und Abwärtsbewegungen stoppt der Motor den Rollläden (oder die Markise) in dem Moment automatisch, in dem dieser (diese) eine Endschalterposition erreicht (**Abb. 3**): **Position „0“** = Rollläden (oder Markise) ganz aufgerollt; **Position „1“** = Rollläden (oder Markise) ganz abgerollt. Um diese Positionen zu programmieren, wie folgt vorgehen.

#### Hinweise:

- Die beiden „Pfeiltasten“ auf dem Motorkopf ermöglichen, jeweils einen Endschalter zu programmieren. Der Motor verlässt das Werk mit diesen **gedrückten Tasten**, also mit bereits in willkürlichen Positionen programmierten Endschaltern. Um diese Positionen an die spezifischen Merkmale Ihres Rollladens (oder Ihrer Markise) anzupassen, wie folgt vorgehen.
- Bei Punkt 02 des Verfahrens kann die **erste Position**, die programmiert werden soll, frei gewählt werden, je nach den entsprechenden Anforderungen.

<p><b>01.</b> Sicherstellen, dass die beiden auf dem Motorkopf angeordneten „Pfeiltasten“ gelöst sind, also dass sie vollkommen über die Oberfläche des Motors überstehen. Wenn sie mit der Oberfläche des Motors übereinstimmen (also gedrückt sind), müssen sie gelöst werden, indem jede Taste mit Hilfe eines Schraubendrehers bis zum Anschlag gedrückt wird.</p>	
<p><b>02.</b> Die Bedientafel an der Wand verwenden, um den Rollläden (oder die Markise) auf die für den Endschalter gewünschte Position zu fahren (im Beispiel ist der Endschalter Oben „0“ aufgeführt). <b>WICHTIG! – Während der Bewegung beobachten, in welche Richtung sich die Aufwickelrolle bewegt und auf dem Motorkopf die Taste mit dem Pfeil ausmachen, der in die gleiche Richtung zeigt, in die sich die Rolle dreht.</b> Dann die Bewegung stoppen. <b>Hinweis</b> – Um eine etwaige Feineinstellung der Position vorzunehmen, die beiden Tasten der Bedientafel an der Wand verwenden.</p>	
<p><b>03.</b> Zuletzt die Position speichern, indem die zuvor auf dem Motorkopf ausgemachte „Pfeiltaste“ (mit Hilfe eines Schraubendrehers) bis zum Anschlag gedrückt wird: Diese <b>muss in gedrückter Position blockiert bleiben</b>.</p>	
<p><b>04.</b> Zur Einstellung des anderen Endschalters die Bedientafel an der Wand verwenden, um den Rollläden (oder die Markise) auf die für diesen Endschalter gewünschte Position zu fahren.</p>	
<p><b>05.</b> Zuletzt die Position speichern, indem die andere, zuvor nicht verwendete „Pfeiltaste“ auf dem Motorkopf (mit Hilfe eines Schraubendrehers) bis zum Anschlag gedrückt wird: Diese <b>muss in gedrückter Position blockiert bleiben</b>.</p>	

### 5.2 - Zum Ändern von nur einer der beiden gespeicherten Endschalterpositionen

Zum Ändern eines bereits gespeicherten Endschalters (ohne Änderung des anderen Endschalters), wie folgt vorgehen:

<p><b>01.</b> Mit der Bedientafel an der Wand den Rollläden (oder die Markise) steuern und ihn (sie) nur wenige Zentimeter in die Richtung des Endschalters bewegen, der geändert werden soll: <b>Während der Bewegung beobachten, in welche Richtung sich die Aufwickelrolle bewegt; dann auf dem Motorkopf die Taste mit dem Pfeil ausmachen, der in die gleiche Richtung zeigt, in die sich die Rolle dreht</b> und die Bewegung stoppen.</p>	
<p><b>02.</b> (auf dem Motorkopf) Bei <b>stillstehendem</b> Rollläden (oder Markise) die soeben ausgemachte „Pfeiltaste“ lösen (die Taste mit einem Schraubendreher drücken).</p>	
<p><b>03.</b> Mit der Bedientafel an der Wand die unter Punkt 01 unterbrochene Bewegung fortsetzen und den Rollläden (oder die Markise) in die neue Endschalterposition fahren. <b>Hinweis</b> – Um eine etwaige Feineinstellung der Position vorzunehmen, die beiden Tasten der Bedientafel an der Wand verwenden.</p>	
<p><b>04.</b> (auf dem Motorkopf) Bei <b>am Endschalter stillstehendem</b> Rollläden (oder Markise) die neue Position speichern, indem die zuvor auf dem Motorkopf ausgemachte „Pfeiltaste“ (mit Hilfe eines Schraubendrehers) bis zum Anschlag gedrückt wird: Diese <b>muss in gedrückter Position blockiert bleiben</b>.</p>	

## Was tun, wenn... (Hinweise zur Problemlösung)

- Bei Versorgung einer Phase (Auf- oder Abwärtsbewegung) startet der Motor nicht.
  - a) Prüfen, ob eine Wärmeschutzschalter ausgelöst wurde. In diesem Fall genügt es zur Wiederherstellung des normalen Betriebs zu warten, bis sich der Motor abkühlt.
  - b) Prüfen, ob Netzspannung vorhanden ist und ob diese mit den auf dem Motorkennschild aufgeführten Werten übereinstimmt.
  - c) Prüfen, ob der Motor an den Endschaltern blockiert ist, in beiden Drehrichtungen. In diesem Fall genügt es, die Endschalterpositionen durch Durchführung des in Kapitel 5 beschriebenen Verfahrens erneut einzustellen.
  - d) Prüfen, ob die Bedientafel richtig angeschlossen worden ist (siehe **Abb. 7**).
  - e) Prüfen, ob das Versorgungskabel unversehrt ist.
- Wenn der Motor bei Erreichen eines Endschalters nicht automatisch stoppt.
  - a) Sicherstellen, dass die beiden auf dem Motorkopf angeordneten „Pfeiltasten“ gedrückt sind, also auf einer Ebene mit der Oberfläche des Motors.
  - b) Während der Bewegung sicherstellen, dass die Aufwickelrolle die Endschalternut-mutter mitnimmt (**Abb. 8-h**).
- Wenn es während der ersten Bewegung zur Verschiebung der zuvor programmierten Endschalterpositionen kommt.
  - a) Erneut das Verfahren von Kapitel 5 durchführen, um die zwischen den Mechanismen vorliegenden Spielräume auszugleichen.

Wenn nach diesen Kontrollen die Probleme weiterhin bestehen, wenden Sie sich an einen Fachmann oder setzen Sie sich mit dem Nice-Kundendienst in Verbindung.

## Entsorgung des Produkts

Dieses Produkt ist ein vervollständigender Teil der Automatisierung und muss somit gemeinsam entsorgt werden.

Wie die Installationsarbeiten muss auch die Abrüstung am Ende der Lebensdauer dieses Produktes von Fachpersonal ausgeführt werden.

Dieses Produkt besteht aus verschiedenen Materialarten: Einige davon können recycelt werden, andere hingegen müssen entsorgt werden. Informieren Sie sich über die Recycling- oder Entsorgungssysteme für dieses Produkt, die von den auf Ihrem Gebiet gültigen Verordnungen vorgesehen sind. **Achtung!**– Einige Teile des Produkts können umweltschädliche oder gefährliche Stoffe enthalten, die, wenn sie in der Umwelt entsorgt werden, schädliche Auswirkungen auf die Umwelt selbst und die Gesundheit des Menschen haben können. Wie durch das Symbol seitlich angegeben, ist es verboten, dieses Produkt im Haushaltsmüll zu entsorgen. Halten Sie sich bitte daher an die „Mülltrennung“ für die Entsorgung, die von den geltenden Vorschriften auf Ihrem Gebiet vorgesehen ist, oder geben Sie das Produkt an Ihren Verkäufer zurück, wenn sie ein gleichwertiges neues Produkt kaufen. **Achtung!** – Die örtlich geltenden Vorschriften können schwere Strafen vorsehen, wenn dieses Produkt unsachgemäß entsorgt wird.



Das Verpackungsmaterial des Produkts muss unter Beachtung der örtlichen Vorschriften entsorgt werden.

## Technische Eigenschaften

**Beachten Sie in jedem Fall die auf dem Typenschild des Motors angegebenen Daten.**

**Anmerkungen:** • Alle angegebenen technischen Eigenschaften beziehen sich auf eine Umgebungstemperatur von 20 °C (± 5 °C). • Nice S.p.a. behält sich das Recht vor, jederzeit bei Bedarf und unter Wahrung derselben Zweckbestimmung und Funktionen Änderungen am Gerät vorzunehmen.

## Vereinfachte EU-Konformitätserklärung

Hiermit erklärt, NICE S.p.A., dass der Funkanlagentyp E QUICK M 817 SH, E QUICK M 1517 SH, E QUICK M 3017 SH, der Richtlinie 2014/53/EU entspricht. Der vollständige Text der EU-Konformitätserklärung ist unter der folgenden Internetadresse verfügbar: <https://www.niceforyou.com/de/support>.



# Kompletna instrukcja obsługi

**Uwaga dotycząca korzystania z instrukcji:** – Niektóre rysunki przywołane w instrukcji znajdują się na końcu niniejszego podręcznika.

## 1 OGÓLNE OSTRZEŻENIA I ZALECENIA DOTYCZĄCE BEZPIECZEŃSTWA

- **Uwaga! – Ważne instrukcje dotyczące bezpieczeństwa: instrukcje należy zachować.**
- **Uwaga! – Przestrzeganie podanych zaleceń ma istotne znaczenie dla bezpieczeństwa osób, dlatego przed rozpoczęciem pracy należy dokładnie zapoznać się z niniejszym podręcznikiem.**

### 1.1 - Ostrzeżenia dotyczące montażu

- Wszystkie czynności związane z montażem, podłączaniem, programowaniem i konserwacją urządzenia powinny być wykonywane wyłącznie przez wykwalifikowanego i kompetentnego technika, który ma obowiązek przestrzegać przepisów, norm, lokalnych rozporządzeń oraz instrukcji zawartych w niniejszym podręczniku.
- Przed rozpoczęciem montażu należy przeczytać uważnie punkt 3.1 w celu sprawdzenia, czy urządzenie jest przystosowane do zasilania posiadanej przez Państwa rolety (lub markizy). Jeżeli produkt nie jest odpowiedni, NIE należy wykonywać montażu.
- Wszelkie czynności montażowe i konserwację urządzenia należy wykonywać po odłączeniu automatu od zasilania elektrycznego. Dla bezpieczeństwa, przed rozpoczęciem pracy należy zawiesić na urządzeniu wyłączającą tabliczkę z napisem „UWAGA! KONSERWACJA W TOKU”.
- Przed rozpoczęciem montażu odsunąć wszystkie kable elektryczne, które nie będą potrzebne podczas montażu. Ponadto wyłączyć wszystkie mechanizmy, które nie są potrzebne do zautomatyzowanego działania posiadanej przez Państwa rolety (lub markizy).
- Podczas montażu zadbać, aby żadna osoba nie zbliżała się do rolety (lub markizy) w momencie jej przesuwania.
- Wykaz części mechanicznych niezbędnych do podłączenia silnika do rolety (lub markizy) przedstawiony został w katalogu produktów Nice ([www.niceforyou.com](http://www.niceforyou.com)).
- Jeśli urządzenie zostało zamontowane na wysokości poniżej 2,5 m od podłogi lub od innej powierzchni oparcia, konieczne jest zabezpieczenie ruchomych części automatyki, aby utrudnić przypadkowy dostęp do nich. Wykonując zabezpieczenia, należy postępować zgodnie z instrukcją obsługi rolety (lub markizy), co pozwoli zapewnić dostęp do rolety w celu wykonywania czynności konserwacyjnych.
- Podczas montażu markiz należy zagwarantować odległość w linii poziomej co najmniej 40 cm od maksymalnego punktu otwarcia markizy do jakiegokolwiek przedmiotu stałego.
- Delikatnie obchodzić się z urządzeniem podczas jego instalowania (**rys. 2**): chronić przed zgnieceniem, uderzeniem, upadkiem lub kontaktem z jakimkolwiek rodzajem płynnymi; nie wkładać ostrych przedmiotów do silnika; nie wierć otworów i nie wkręcać śrub wewnątrz silnika; nie umieszczać urządzenia w pobliżu źródeł ciepła i nie wystawiać go na działanie otwartego ognia. Opisane wyżej sytuacje mogą spowodować uszkodzenie urządzenia, być przyczyną nieprawidłowego działania lub spowodować zagrożenia. Jeśli jednak doszłoby do którejś z opisanych wyżej sytuacji, natychmiast przerwij montaż i zwróć się do Serwisu Technicznego Nice.
- Nie stosować śrub na rurze nawojowej w miejscu, w którym przechodzi silnik. Mogłyby one spowodować uszkodzenie silnika.
- Nie demontować urządzenia w sposób nieprzewidziany w niniejszej instrukcji obsługi.
- Nie modyfikować żadnej z części urządzenia, jeżeli modyfikacje takie nie zostały przewidziane w niniejszym w podręczniku. Producent nie ponosi odpowiedzialności za szkody wynikające z samowolnych modyfikacji urządzenia.
- Kabel zasilający silnika jest wykonany z PCV i nadaje się do montażu w środowisku wewnętrznym. Jeśli urządzenie jest instalowane w innym środowisku, należy zabezpieczyć na całej długości jego przewód zasilający, umieszczając go w rurze osłonowej, przeznaczonej do zabezpieczania kabli elektrycznych.
- Nie wymieniać kabla zasilającego. W razie uszkodzenia kabla zasilającego należy wyrzucić urządzenie.
- Nie stosować więcej niż jednego urządzenia sterującego dla poszczególnych silników rurowych (**rys. 4**).
- Istnieje możliwość zastosowania jednego urządzenia sterującego dla większej ilości silników rurowych (**rys. 5**).
- Do sterowania urządzeniem używaj wyłącznie przycisków, które funkcjonują w trybie ręcznym “w obecności operatora”, to znaczy takich, które należy wcisnąć i przytrzymać przez cały czas trwania manewru.

### 1.2 - Ostrzeżenia dotyczące użytkowania

- Urządzenie nie jest przeznaczone do użytku przez osoby (również dzieci), których możliwości fizyczne, czuciowe lub umysłowe są ograniczone. Z urządzenia nie mogą również korzystać osoby bez doświadczenia i stosownej wiedzy.
- Nie pozwalaj dzieciom, aby bawiły się stałymi urządzeniami sterującymi.
- Podczas wykonywania manewru należy nadzorować automatykę i zadbać, aby inne osoby nie zbliżyły się do niej aż do czasu zakończenia operacji.
- Nie sterować automatyką, kiedy w jego pobliżu myte są okna, wykonywana jest konserwacja itp. Przed wykonaniem tych czynności należy najpierw odłączyć zasilanie elektryczne.
- Należy pamiętać, aby kontrolować często sprężyny kompensacyjne i zużycie przewodów (jeżeli występują). Nie używać siłownika, jeżeli wymaga on wykonania regulacji lub napraw. W celu naprawienia usterek zwracać się wyłącznie do wyspecjalizowanego personelu technicznego.

## 2 OPIS PRODUKTU ORAZ JEGO PRZEZNACZENIE

Urządzenie to silnik rurowy przeznaczony do zasilania rolety, markizy przeciwsłonecznej, ekranu słonecznego lub innych urządzeń nawojowych tego rodzaju (**rys. 1**). **Każde inne zastosowanie jest zabronione! Producent nie odpowiada za szkody wynikające z niewłaściwego używania urządzenia, niezgodnego z przeznaczeniem określonym w niniejszej instrukcji.**

Urządzenie posiada następujące cechy charakterystyczne:

- zasilanie z sieci elektrycznej (zapoznać się z danymi na tabliczka znamionowa silnika);
- może służyć do przesuwania rolety (lub markizy) podczas Podnoszenia oraz Opuszczania za pomocą przycisków ściennych (nie znajdują się w opakowaniu);
- wyposażony jest w system przerywający automatycznie zasilanie, kiedy roleta (lub markiza) osiągnie ustalone położenie krańcowe (**rys. 3**): położenie „0” (roleta lub markiza całkowicie zwinięta) i położenie „1” (roleta lub markiza całkowicie rozwinięta);
- jest instalowany w rurze nawojowej; części silnika wystająca z wału (głowica elektryczna) należy przymocować do sufitu lub do ściany przy użyciu odpowiednich obejm (nie znajdują się w opakowaniu);
- zostało zaprojektowane do użytku prywatnego i do pracy okresowej. Gwarantuje w każdym razie ciągły czas pracy maksymalnie 4 minuty;
- wyposażone jest w termiczny system zabezpieczający, który w przypadku przegrzania spowodowanego ciągłym użytkowaniem automatyki wykraczającym poza przewidziane ograniczenia, powoduje automatycznie odłączenie zasilania elektrycznego i łączy je ponownie dopiero wtedy, gdy temperatura spadnie do normalnej wartości;
- jest dostępne w różnych wersjach, każda z nich posiada określony moment obrotowy (moc).

## 3 MONTAŻ SILNIKA I URZĄDZEŃ DODATKOWYCH

### 3.1 - Kontrole wstępne przez wykonaniem montażu i ograniczenia w stosowaniu

- Zaraz po rozpakowaniu urządzenia należy sprawdzić, czy obecne są wszystkie jego elementy.
- Niniejsze urządzenie dostępne jest w różnych wersjach, a każda z nich ma specyficzny moment obrotowy. Każda wersja zaprojektowana została do zasilania rolet (lub markiz) o określonych wymiarach i ciężarze. W związku z tym przed wykonaniem montażu należy upewnić się, że parametry momentu obrotowego, prędkość obrotowa i czas działania urządzenia są zapewniają zautomatyzowane działanie Państwa rolety (lub markizy) (posłużyć się „Przewodnikiem” znajdującym się w katalogu produktów firmy Nice – [www.niceforyou.com](http://www.niceforyou.com)). **Nie należy instalować urządzenia, jeżeli jego moment obrotowy jest większy niż moment niezbędny do przesunięcia posiadanej przez Państwa rolety (lub markizy).**
- Sprawdź średnicę rury nawojowej. Rurę tę należy dobrać na podstawie momentu napędowego silnika, zgodnie z poniższymi zaleceniami:
  - dla silników o rozmiarze „M” ( $\varnothing = 45$  mm), momencie obrotowym aż do 35 Nm (włącznie), minimalna średnica wewnętrzna rury nawojowej powinna wynosić 52 mm;
  - dla silników o rozmiarze „M” ( $\varnothing = 45$  mm), momencie obrotowym większym niż 35 Nm, minimalna średnica wewnętrzna rury nawojowej powinna wynosić 60 mm.
- Przed zastosowaniem urządzeń automatyzujących pracę markizy, należy sprawdzić, czy przed markizą znajduje się dość miejsca na całkowite rozwinięcie markizy.
- W przypadku montażu na wolnym powietrzu, należy zapewnić odpowiednie zabezpieczenie silnika przed czynnikami atmosferycznymi.

Dodatkowe ograniczenia w stosowaniu urządzenia przedstawione zostały w rozdziałach 1 i 2 oraz w „Parametrach technicznych”.

### 3.2 - Montaż i podłączenie silnika rurowego

**Uwaga! - Przed wykonaniem jakichkolwiek czynności należy uważnie zapoznać się z zaleceniami przedstawionymi w punktach 1.1 i 3.1. Nieprawidłowy montaż silnika może być przyczyną poważnego uszkodzenia ciała.**

W celu wykonania montażu i podłączenia silnika należy posłużyć się **rys. 8**. Ponadto należy zapoznać się z katalogiem produktów firmy Nice lub stroną [www.niceforyou.com](http://www.niceforyou.com), w celu doboru adaptera krańcówki (**rys. 8-a**), zabieraka (**rys. 8-b**) oraz obejm silnika (**rys. 8-f**).

### 3.3 - Instalacja ściennej tablicy przycisków

- Zamontuj na ścianie klawiaturę sterującą, pamiętając o następujących zaleceniach:
- wybierz klawiaturę na 2 przyciski (Podnoszenie i Opuszczanie);
  - zaleca się wykorzystanie pulpitu przycisków działającego w „trybie ręcznym”, w którym należy przytrzymać wciśnięty przycisk przez cały czas trwania manewru. Po zwolnieniu przycisku powinien powrócić w początkowe położenie;
  - umieścić pulpit przycisków w miejscu niedostępnym dla osób postronnych;
  - umieścić pulpit przycisków w miejscu widocznym z poziomu rolety (lub markizy), ale w bezpiecznej odległości od jej ruchomych części;
  - umieścić pulpit przycisków po tej stronie rolety (lub markizy), po której znajduje się kabel elektryczny silnika oraz kabel zasilania z sieci elektrycznej (**rys. 8-h**);
  - umieścić klawiaturę na wysokości powyżej 1,5 m od podłoża.

## 4 PODŁĄCZENIA ELEKTRYCZNE PIERWSZE URUCHOMIENIE

Podczas prac instalacyjnych i regulacyjnych, kiedy nie ma jeszcze połączenia do sieci elektrycznej można sterować silownik jednostką sterującą "TTU" (rys. 6).

### 4.1 - Podłączenie silnika do przycisków sterujących oraz do sieci elektrycznej

#### Zaleceń:

- Nieprawidłowe podłączenie może spowodować awarie lub niebezpieczne sytuacje, dlatego należy uważnie przestrzegać instrukcji podanych w tym punkcie.
- Nie wymieniać kabla zasilającego. W razie uszkodzenia kabla zasilającego należy wyrzucić urządzenie.

Silnik powinien być zasilany poprzez stałe podłączenie do sieci elektrycznej. W celu podłączenia silnika do sieci elektrycznej oraz do pulpitu sterującego, należy posłużyć się rys. 7. Żyły przewodu łączącego posiadają następujące zastosowanie:

- **Kolor brązowy** = Faza elektryczna podnoszenia lub opuszczania.
- **Kolor Czarny** = Faza elektryczna podnoszenia lub opuszczania.
- **Kolor Niebieski** = Wspólny (zwykle podłączony do Neutralnego).
- **Kolor żółto-zielony** = Uziemienie (połączenie ekspotencjalne zabezpieczające).

### 4.2 - Montaż urządzeń zabezpieczających w sieci zasilania elektrycznego

Zgodnie z zasadami instalacji elektrycznej, w sieci zasilającej silnik należy zainstalować odłącznik zabezpieczenie przeciwzwarciowe oraz odłącznik od sieci elektrycznej (te dwa urządzenia nie są dołączone do zestawu). **Uwaga!** - **Odległość otwarcia styków w urządzeniu odłączającym powinna być na tyle duża, aby umożliwić całkowite odłączenie zasilania w warunkach określonych przez III kategorię przepięciową.**

Odłącznik musi się znajdować w widocznym miejscu w obrębie automatyki, a jeżeli nie jest widoczny, ze względów bezpieczeństwa należy przewidzieć system blokujący ewentualne przypadkowe ponowne lub nieupoważnione podłączenie zasilania.

### 4.3 - Połączenie ruchów Podnoszenie i Opuszczanie z odpowiednimi przyciskami

Po wykonaniu połączeń należy podłączyć zasilanie do silnika i sprawdzić, czy ruchy Podnoszenie i Opuszczanie są prawidłowo połączone z odpowiednimi przyciskami sterującymi. Jeżeli tak nie jest należy zamienić połączenia pomiędzy **Brązowym** i **Czarnym** przewodem.

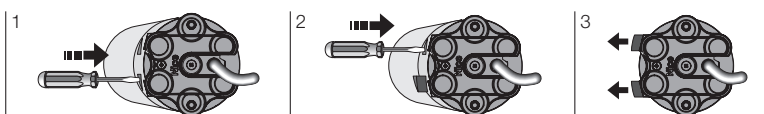
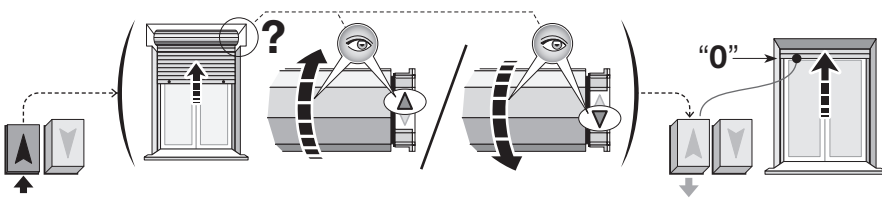
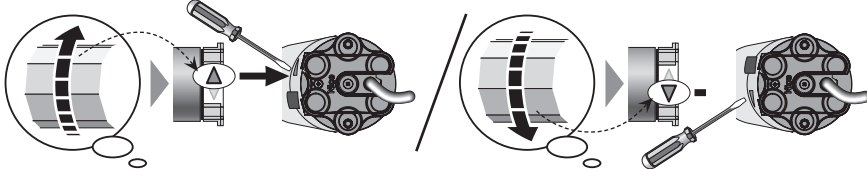
## 5 REGULOWANIE KRAŃCÓWEK

### 5.1 - Programowanie obu krańcówek

Podczas manewrów opuszczania i podnoszenia silnik automatycznie zatrzymuje roletę (lub markizę) w momencie, kiedy osiągnie ona położenie krańcowe (rys. 3): **położenie „0”** = roleta (lub markiza) całkowicie zwinięta; **położenie „1”** = roleta (lub markiza) całkowicie rozwinięta. W celu zaprogramowania tych krańcówek należy wykonać następujące czynności:

#### Ostrzeżenie:

- Dwa przyciski oznaczone strzałkami, znajdujące się na głowicy silnika, umożliwiają zaprogramowanie krańcówki. W momencie opuszczania fabryki przez silnik przyciski te są wciśnięte, zatem położenia krańcowe zaprogramowane są na ustalone z góry wartości. W celu wyregulowania tych wartości zgodnie ze szczegółową charakterystyką posiadanej przez Państwa rolety (lub markizy), należy wykonać przedstawioną poniżej procedurę.
- W 2. punkcie procedury pierwsza programowana wartość może zostać wybrana dowolnie, na podstawie osobistych wymagań.

<p><b>01.</b> Upewnić się, że oba przyciski oznaczone strzałkami umieszczone na głowicy silnika są zwolnione, czyli wystają całkowicie ponad powierzchnię silnika. Jeżeli przyciski ustawione są równo z jego powierzchnią (czyli są wciśnięte), zwolnić je, dociskając do oporu każdy z przycisków za pomocą śrubokrętu.</p>	
<p><b>02.</b> Wykorzystać ścienny pulpit sterujący do ustawienia rolety (lub markizy) na wysokości wybranej dla danej krańcówki (w przykładzie przedstawiona została górne położenie krańcowe „0”). <b>WAŻNE!</b> - <b>podczas manewru zaobserwować, w którym kierunku obraca się rura nawojowa, a następnie odnaleźć na głowicy przycisk, którego strzałka zwrócona jest w tym samym kierunku, w którym obraca się rura.</b> Następnie zatrzymać manewr. <b>Wskazówka:</b> W celu ewentualnej regulacji wartości krańcowej, wykorzystać dwa przyciski pulpitu ściennego.</p>	
<p><b>03.</b> Na koniec wczytać wartość, wciskając do oporu (za pomocą śrubokrętu) zidentyfikowany wcześniej przycisk strzałki na głowicy silnika: przycisk ten <b>powinien zostać zablokowany w położeniu wciśniętym.</b></p>	
<p><b>04.</b> W celu wyregulowania drugiej krańcówki, wykorzystać ścienny pulpit sterujący do ustawienia rolety (lub markizy) na wysokości wybranej dla tego położenia.</p>	
<p><b>05.</b> Na koniec wczytać wartość, wciskając do oporu (za pomocą śrubokrętu) drugi, niewykorzystany wcześniej przycisk strzałki na głowicy silnika: przycisk ten <b>powinien zostać zablokowany w położeniu wciśniętym.</b></p>	

### 5.2 - Zmiana tylko jednej z dwóch wartości wczytanych krańcówek

Aby zmienić już wczytaną krańcówkę (bez zmiany drugiego położenia), należy wykonać następujące czynności:

<p><b>01.</b></p>	<p>Za pomocą ściennego pulpitu ustawić roletę (lub markizę) w taki sposób, aby przesunęła się kilka centymetrów w kierunku zmienianego położenia krańcowego: <b>podczas manewru zaobserwować, w którym kierunku obraca się rura nawojowa, a następnie odnaleźć na głowicy przycisk, którego strzałka zwrócona jest w tym samym kierunku, w którym obraca się rura</b> i zatrzymać wykonywanie manewru.</p>
<p><b>02.</b></p>	<p>(na głowicy silnika) Kiedy roleta (lub markiza) jest <b>nieruchoma</b>, zwolnić zidentyfikowany wcześniej przycisk strzałki (wcisnąć przycisk za pomocą śrubokrętu).</p>
<p><b>03.</b></p>	<p>Za pomocą ściennego pulpitu sterującego zakończyć przerwany w punkcie 01 manewr, przesuwając roletę (lub markizę) na nową wysokość położenia krańcowego. <b>Wskazówka:</b> W celu ewentualnej regulacji wartości krańcowej, wykorzystać dwa przyciski pulpitu ściennego.</p>
<p><b>04.</b></p>	<p>(na głowicy silnika) Kiedy roleta (lub markiza) <b>zatrzyma się w położeniu krańcowym</b>, wczytać nową wartość, wciskając do oporu (za pomocą śrubokrętu) zidentyfikowany wcześniej przycisk strzałki na głowicy silnika: przycisk ten <b>powinien zostać zablokowany w położeniu opuszczonym.</b></p>

## Co zrobić jeśli... (pomoc w rozwiązywaniu problemów)

- **Po załączeniu jednej fazy (Podnoszenie lub Opuszczanie) silnik nie rusza.**
  - a) Sprawdzić, czy nie zadziałało zabezpieczenie termiczne silnika. Jeśli tak, w celu przywrócenia normalnego działania wystarczy zaczekać, aż silnik się schłodzi.
  - b) Sprawdzić, czy zasilanie sieciowe jest zgodne z wartościami przedstawionymi na tabliczce znamionowej silnika.
  - c) Sprawdzić, czy silnik nie jest zablokowany na krańcówce w obu kierunkach obrotów. Jeśli tak, wystarczy wyregulować ponownie wartości krańcówek, wykonując w tym celu procedurę opisaną w rozdziale 5.
  - d) Sprawdzić, czy pulpit sterujący został prawidłowo podłączony (patrz **rys. 7**).
  - e) Sprawdzić, czy kabel zasilający jest cały.
- **Jeżeli silnik nie zatrzymuje się automatycznie po osiągnięciu położenia krańcowego.**
  - a) Upewnić się, że oba przyciski strzałek umieszczone na głowicy silnika ustawione są w położeniu opuszczonym, czyli na poziomie powierzchni silnika.
  - b) Podczas manewru upewnić się, że rura nawojowa przesuwana nasadką krańcówki (**rys. 8-h**).
- **Jeżeli podczas pierwszego manewru obserwowane jest przesunięcie zaprogramowanych wcześniej krańcówek.**
  - a) Wykonać ponownie procedurę opisaną w rozdziale 5 w celu kompensacji luzów występujących pomiędzy mechanizmami.

Jeżeli po wykonaniu tych czynności problemy nie ustąpią, zwrócić się do wykwalifikowanego technika lub skontaktować się z Serwisem Technicznym firmy Nice.

## Utylizacja urządzenia

To urządzenie jest integralną częścią automatu, dlatego też powinno zostać zlikwidowane razem z nim.

Zarówno operacje montażu jak i demontażu po zakończeniu eksploatacji urządzenia powinny być wykonywane przez wykwalifikowany personel.

Urządzenie składa się z różnego rodzaju materiałów: niektóre z nich mogą zostać poddane recyklingowi, inne powinny zostać poddane utylizacji. Należy we własnym zakresie zapoznać się z informacjami na temat recyklingu i utylizacji przewidzianych w lokalnie obowiązujących przepisach dla danej kategorii produktu. **Uwaga!** – niektóre części urządzenia mogą zawierać skażające lub niebezpieczne substancje; jeśli trafią one do środowiska, mogą wywołać poważne szkody dla samego środowiska oraz dla zdrowia ludzi. Jak wskazuje symbol zamieszczony obok, zabrania się wyrzucania urządzenia razem z odpadami domowymi. Należy więc przeprowadzić „selektywną zbiórkę odpadów” zgodnie z metodami przewidzianymi przez przepisy obowiązujące na danym terytorium lub oddać urządzenie do sprzedawcy podczas dokonywania zakupu nowego ekwiwalentnego urządzenia. **Uwaga!** – lokalne przepisy mogą przewidywać ciężkie sankcje w przypadku bezprawnej utylizacji niniejszego produktu.



Opakowanie urządzenia należy utylizować zgodnie z lokalnymi przepisami.

## Dane techniczne

Odnieść się do danych zamieszczonych na tabliczce znamionowej silnika.

**Zanotuj:** • Wszystkie podane parametry techniczne, dotyczą temperatury otoczenia równej 20°C (± 5°C). • Nice S.p.a. zastrzega sobie prawo do wprowadzenia modyfikacji w produkcie, w jakimkolwiek momencie, gdy uzna to za konieczne, utrzymując niezmienną przeznaczenie użytkowania i funkcje.

## Uproszczona deklaracja zgodności CE

NICE S.p.A. niniejszym oświadcza, że typ urządzenia radiowego E QUICK M 817 SH, E QUICK M 1517 SH, E QUICK M 3017 SH, jest zgodny z dyrektywą 2014/53/UE.

Kompletny tekst deklaracji zgodności CE jest udostępniany pod następującym adresem internetowym: <https://www.niceforyou.com/en/support>.

# Volledige handleiding

**Opmerking met betrekking tot raadpleging van de handleiding** – Een aantal in de tekst vermelde afbeeldingen zijn achter in de handleiding terug te vinden.

## 1 WAARSCHUWINGEN EN ALGEMENE VOORZORGSMAATREGELEN MET HET OOG OP VEILIGHEID

- **Let op!** – Belangrijke instructies voor de veiligheid: bewaar deze handleiding.
- **Let op!** – Naleving van deze instructies is van belang voor de veiligheid van personen. Lees daarom deze handleiding aandachtig door voordat u te werk gaat.

### 1.1 - Waarschuwingen met betrekking tot de installatie

- Alle werkzaamheden met betrekking tot installatie, aansluiting, programmering en onderhoud van het product mogen alleen worden uitgevoerd door een gekwalificeerd en bevoegd technicus, met inachtneming van geldende wetten, normen, plaatselijke verordeningen en de instructies in deze handleiding.
- Voordat u met de installatie begint, dient u paragraaf 3.1 te lezen om te controleren of het product geschikt is voor de automatisering van uw rolluik (of scherm). Als het product niet geschikt is, dient u NIET verder te gaan met de installatie.
- Tijdens alle werkzaamheden voor installatie en onderhoud van het product moet de automatisering losgekoppeld zijn van de elektrische stroomvoorziening. Voordat er met de werkzaamheden wordt begonnen, moet er een bord met de tekst "LET OP! MACHINE IN ONDERHOUD" op het uitschakelapparaat worden aangebracht.
- Voordat u met de installatiewerkzaamheden begint, moet u ervoor zorgen dat alle elektriciteitskabels die niet noodzakelijk zijn voor de werkzaamheden, uit de buurt blijven; schakel ook alle mechanismen uit die niet noodzakelijk zijn voor de gemotoriseerde werking van het rolluik (of scherm).
- Tijdens de installatie moeten personen op afstand van het rolluik (of scherm) blijven wanneer dit in beweging is.
- De lijst van mechanische onderdelen die nodig zijn om de motor aan het rolluik (of scherm) te koppelen is opgenomen in de Nice-productcatalogus ([www.niceforyou.com](http://www.niceforyou.com)).
- Indien het product op een hoogte van minder dan 2,5 m vanaf de vloer of een ander draagvlak wordt geïnstalleerd, is het noodzakelijk de bewegende delen ervan te beschermen met een afdekking, om te voorkomen dat men hier per ongeluk mee in aanraking kan komen. Voor de verwezenlijking van de bescherming raadpleegt u de handleiding van het rolluik (of scherm); zorg er in ieder geval wel voor dat toegang voor onderhoudswerkzaamheden mogelijk blijft.
- Bij zonwerkingen moet een horizontale afstand van minimaal 40 cm worden gegarandeerd tussen de volledig geopende zonwerking en een eventueel vast object dat zich ervoor bevindt.
- Behandel het product gedurende de installatie voorzichtig (afb. 2): voorkom samen-drukking, stoten, valpartijen of contact met vloeistoffen van welke soort dan ook; ga niet met puntige voorwerpen in de motor; boor geen gaten en draai geen schroeven in de buitenkant van de motor; plaats het product niet in de buurt van warmtebronnen en stel het niet bloot aan open vuur.  
Een dergelijke handelwijze kan het product beschadigen en storingen of gevaarlijke situaties veroorzaken. In dergelijke gevallen dient u de installatie onmiddellijk te onderbreken en contact op te nemen met de klantenservice van Nice.
- Geen schroeven aanbrengen op de wikkelrol, in het deel dat intern door de motor wordt overgestoken. Dergelijke schroeven zouden schade aan de motor kunnen toebrengen.
- Het product niet demonteren op wijzen die verdergaan dan in deze handleiding voorzien is.
- Geen aanpassingen op onderdelen van het product uitvoeren, afgezien van de aanpassingen die in deze handleiding worden beschreven. De fabrikant wijst elke aansprakelijkheid voor schade ten gevolge van aanpassingen aan het product van de hand.
- De voedingskabel van de motor is van PVC en is geschikt voor gebruik binnenshuis. Voor gebruik in andere omgevingen moet de kabel over zijn gehele lengte worden afgeschermd door deze in een speciale leiding ter bescherming van elektrische kabels te plaatsen.
- De voedingskabel van het apparaat mag niet worden vervangen. Bij een beschadigde kabel moet het apparaat worden gesloopt.
- Gebruik niet meer dan één bedieningsinrichting voor een bepaalde buismotor (afb. 4).
- U kunt één bedieningsinrichting voor meerdere buismotoren gebruiken (afb. 5).
- Gebruik voor het besturen van het product uitsluitend drukknoppen die werken bij "aanwezige persoon", dat wil zeggen, die voor de gehele duur van de manoeuvre ingedrukt moeten worden gehouden.

### 1.2 - Waarschuwingen met betrekking tot het gebruik

- Het product is niet bestemd voor gebruik door personen (inclusief kinderen) met lichamelijke, zintuiglijke of geestelijke beperkingen of met gebrek aan ervaring of kennis.
  - Laat kinderen niet met de vaste bedieningselementen spelen.
  - Controleer de automatisering tijdens de uitvoering van een manoeuvre en houd personen op veilige afstand tot de beweging voltooid is.
  - Geef de automatisering geen instructies wanneer er in de buurt ervan werkzaamheden plaatsvinden, zoals ramen wassen, onderhoud, enzovoort. Koppel de elektrische voeding los voordat deze werkzaamheden uitgevoerd worden.
  - Vergeet niet om de balansveren en de slijtage van de kabels regelmatig te controleren (als deze mechanismen aanwezig zijn). De automatisering niet gebruiken als deze afge-
- 1 – Nederlands

steld of gerepareerd moet worden; het oplossen van dergelijke problemen uitsluitend overlaten aan gespecialiseerd technisch personeel.

## 2 BESCHRIJVING VAN HET PRODUCT EN GEBRUIKSBESTEMMING

Het product is een buismotor die bedoeld is voor de automatisering van een rolluik, een zonnescherm, een zonneluifel of een vergelijkbaar oprolbaar systeem (afb. 1). **Elk ander gebruik is verboden! De fabrikant aanvaardt geen aansprakelijkheid voor schade die het gevolg is van oneigenlijk gebruik van het product, behalve voor zover in deze handleiding voorzien is.**

Het product heeft de volgende kenmerken:

- wordt gevoed door het elektriciteitsnet (controleert de gegevens op het naambord de motor);
- kan het rolluik (of scherm) via de wandknoppen Omhoog en Omlaag bewegen (niet in de verpakking aanwezig);
- is uitgerust met een systeem dat de voeding automatisch onderbreekt wanneer het rolluik (of scherm) de ingestelde eindaanslagposities bereikt (afb. 3): stand "0" (rolluik of scherm helemaal opgerold) en stand "1" (rolluik of scherm helemaal afgerold);
- moet aan de binnenkant in de wikkelrol; het gedeelte van de motor dat uit het rolemat steekt (elektronische kop) moet aan het plafond of aan de wand worden gemonteerd met speciale steunhaken (niet in de verpakking aanwezig);
- is ontworpen voor gebruik in woonhuizen, met andere woorden, niet voor continu gebruik. Garandeert in elk geval een ononderbroken werkingstijd van maximaal 4 minuten;
- is voorzien van een thermisch beschermingssysteem dat in geval van oververhitting door doellopend gebruik van de automatisering op een wijze waarop de geldende limieten worden overschreden, de elektrische voeding automatisch onderbreekt en weer inschakelt zodra de temperatuur weer acceptabel is;
- is beschikbaar in verschillende versies, elk met een bepaald motorkoppel (vermogen).

## 3 INSTALLATIE VAN DE MOTOR EN DE ACCESSOIRES

### 3.1 - Controles die aan de installatie voorafgaan en gebruikslimieten

- Controleer direct na het uitpakken of het product compleet en intact is.
- Dit product is beschikbaar in verschillende versies, elk met een bepaald motorkoppel. Elke versie is ontworpen voor het bewegen van rolluiken (of schermen) van bepaalde afmetingen en een bepaald gewicht. Voorafgaand aan de installatie dient u zich er dus van te verzekeren dat de parameters van de motorkoppel, draaisnelheid en werkingstijd van dit product geschikt zijn voor de automatisering van uw rolluik (of scherm) (zie de "Keuzegids" in de Nice-productcatalogus – [www.niceforyou.com](http://www.niceforyou.com)). Het bijzonder, **het product niet installeren als de motorkoppel groter is dan nodig is voor het bewegen van uw rolluik (of scherm).**
- Controleer de diameter van de wikkelrol. Deze moet worden gekozen op basis van de motorkoppel, en wel op de volgende wijze:
  - voor de motoren van maat "M" ( $\varnothing = 45 \text{ mm}$ ), met een maximum koppel van 35 Nm (inbegrepen), de binnendiameter minimum van de wikkelrol gelijk moet zijn aan 52 mm;
  - voor de motoren van maat "M" ( $\varnothing = 45 \text{ mm}$ ), met een koppel groter dan 35 Nm, de binnendiameter minimum van de wikkelrol gelijk moet zijn aan 60 mm.
- Voordat u een scherm automatiseert, dient u zich ervan te verzekeren dat er voldoende vrije ruimte is voor de maximaal gewenste open stand.
- In geval van installatie buiten moet u zorgen dat de motor afdoende beschermd is tegen atmosferische invloeden.

Voor verdere gebruikslimieten verwijzen wij u naar de hoofdstukken 1 en 2 en de "Technische specificaties".

### 3.2 - Montage en installatie van de buismotor

**Let op!** - Voordat u verdergaat dient u de waarschuwingen in paragraaf 1.1 en 3.1 aandachtig te lezen. Een incorrecte installatie kan ernstig letsel tot gevolg hebben.

Voor de montage en installatie van de motor raadpleegt u **afb. 8**. Raadpleeg ook de Nice-productcatalogus of de website [www.niceforyou.com](http://www.niceforyou.com) om de kroon van de eindaanslag (**afb. 8-a**), het sleepwielje (**afb. 8-b**) en de montagebeugel van de motor (**afb. 8-f**) te kiezen.

### 3.3 - Installatie van een wandknoppenpaneel

Installeer aan de hand van onderstaande aanbevelingen een drukknoppenpaneel aan de wand:

- kies een drukknoppenpaneel met 2 drukknoppen (Omhoog en Omlaag).
- het verdient aanbeveling een knoppenpaneel te gebruiken dat werkt "met iemand aanwezig", d.w.z. waarbij de knop ingedrukt moet worden gehouden tijdens de gewenste duur van de manoeuvre. Wanneer de knop wordt losgelaten, moet deze terugkeren naar de beginstand;
- plaats het knoppenpaneel op een plaats die niet toegankelijk is voor buitenstaanders;
- plaats het knoppenpaneel op een plaats met zicht op het rolluik (of scherm), maar ver van de bewegende delen van het rolluik (of scherm);
- plaats het knoppenpaneel aan de kant van het rolluik (of scherm) waar de elektriciteitskabel uit de motor en de voedingskabel uit het elektriciteitsnet zich bevinden (**afb. 8-h**);
- plaats het drukknoppenpaneel op een hoogte van meer dan 1,5 m vanaf de vloer.

## 4 ELEKTRISCHE AANSLUITINGEN EN EERSTE INSCHAKELING

Tijdens de installatie- en afstellingswerkzaamheden, wanneer er nog geen definitieve elektrische aansluitingen zijn, is het mogelijk de motor met de speciale eenheid "TTU" aan te sturen (afb. 6).

### 4.1 - Aansluiting van de motor op een bedieningsdrukknoppenpaneel en op het elektriciteitsnet

#### Waarschuwingen:

- Een verkeerde aansluiting kan defecten of gevaarlijke situaties veroorzaken; neem de instructies die in deze paragraaf staan dus strikt in acht.
- De voedingskabel van het apparaat mag niet worden vervangen. Bij een beschadigde kabel moet het apparaat worden gesloopt.

De motor moet worden gevoed via een permanente aansluiting op het elektriciteitsnet. Voor informatie over het aansluiten van de motor op het elektriciteitsnet en een knoppenpaneel raadpleegt u **afb. 7**. De geleiders van de verbindingskabel hebben de volgende toepassing:

- **bruin** = Elektrische stijg- of daalfase.
- **zwart** = Elektrische stijg- of daalfase.
- **blauwe kleur** = Gemeenschappelijk (gewoonlijke aangesloten op de Nulleider).
- **groen-gele kleur** = Aarde (equipotentiaalverbinding ter beveiliging).

### 4.2 - Installatie van de beveiligingsinrichtingen in het elektrische voedingsnet

In overeenstemming met de regels die op de elektrische installatie betrekking hebben, is het nodig om in het net dat de motor voedt een veiligheidsvoorziening tegen kortsluiting op te nemen alsmede een voorziening voor de afsluiting van het elektriciteitsnet (de twee voorzieningen maken geen deel uit van de verpakking). **Let op!** – **Het uitschakelapparaat moet contacten met openingsafstand hebben die volledige loskoppeling mogelijk maken bij de condities die zijn vastgelegd voor overspanningscategorie III.**

De voorziening voor de afsluiting moet opgesteld zijn in het zicht van de automatisering. Is deze voorziening niet zichtbaar dan moet een systeem aanwezig zijn die een eventuele onverhoeds hernieuwde of niet geautoriseerde inschakeling van de voeding blokkeert zodat ieder gevaar wordt weggenomen.

### 4.3 - Koppeling van de Stijg- en Daalbewegingen aan de respectievelijke bedieningsknoppen

Na afloop van de aansluitwerkzaamheden, spanning aan de motor geven en controleren of de Stijg- en Daalbewegingen correct aan de respectievelijke bedieningsknoppen zijn gekoppeld. Als dit niet zo is, dient u de aansluiting tussen de **Bruine** en **Zwarte** geleiders om te draaien.

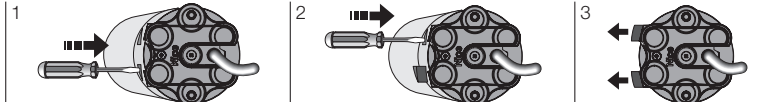
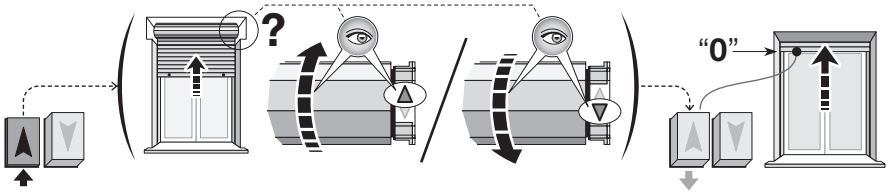
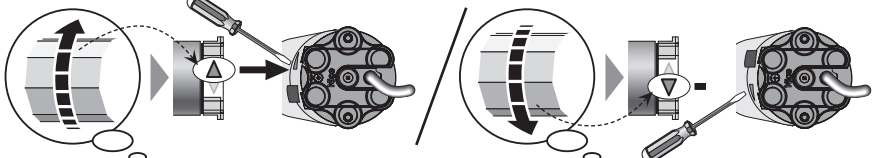
## 5 AFSTELLING VAN DE EINDAANSLAGEN

### 5.1 - Programmering van de twee eindaanslagen

Tijdens de bewegingen omhoog en omlaag stopt de motor het rolluik (of scherm) automatisch wanneer het rolluik (of scherm) een eindaanslagpositie bereikt (**afb. 3**): stand "0" = rolluik (of scherm) helemaal opgerold; stand "1" = rolluik (of scherm) helemaal afgerold. Voor het programmeren van deze standen gaat u als volgt te werk.

#### Waarschuwingen:

- Via de twee pijlknoppen op de kop van de motor kunnen de twee eindaanslagen geprogrammeerd worden. De motor wordt standaard geleverd met deze knoppen ingedrukt, wat betekent dat de eindaanslagen al op willekeurige hoogten geprogrammeerd zijn. Als u deze hoogten wil afstellen op basis van de specifieke kenmerken van uw rolluik (of scherm), past u de volgende procedure toe.
- Bij punt 02 van de procedure kan de eerste hoogte die geprogrammeerd moet worden, vrij worden gekozen op basis van de eigen behoeften.

<p><b>01.</b> Verzekert u ervan dat de pijlknoppen op de kop van de motor niet zijn ingedrukt en dus volledig uit het oppervlak van de motor uitsteken. Als de knoppen op het niveau van het oppervlak liggen (ingedrukt), maakt u elk knop los met behulp van een schroevendraaier.</p>	
<p><b>02.</b> Gebruik het wandknoppenpaneel om het rolluik (of scherm) naar de gewenste hoogte voor de eindaanslag te brengen (in het voorbeeld is eindaanslag Boven, "0" weergegeven). <b>BELANGRIJK!</b> – <b>let er tijdens de manoeuvre op in welke richting de wikkelrol draait en lokaliseer op de kop van de motor de knop met de pijl in dezelfde richting waarin de rol draait.</b> Blokkeer vervolgens de manoeuvre. <b>Opmerking</b> – Voor eventuele fijnafstelling van de hoogte gebruikt u de twee knoppen van het wandknoppenpaneel.</p>	
<p><b>03.</b> Ten slotte slaat u de hoogte in het geheugen op door de eerder gelokaliseerde pijlknop op de kop van de motor helemaal in te drukken (met behulp van een schroevendraaier): deze <b>moet in de ingedrukte stand geblokkeerd blijven.</b></p>	
<p><b>04.</b> Voor de afstelling van de andere eindaanslag gebruikt u het wandknoppenpaneel om het rolluik (of scherm) naar de gewenste hoogte voor de eindaanslag te brengen.</p>	
<p><b>05.</b> Ten slotte slaat u de hoogte in het geheugen op door de andere, nog niet gebruikte pijlknop op de kop van de motor helemaal in te drukken (met behulp van een schroevendraaier): deze <b>moet in de ingedrukte stand geblokkeerd blijven.</b></p>	

### 5.2 - Als u slechts een van de twee in het geheugen opgeslagen eindaanslaghoogten wilt wijzigen

Als u een reeds in het geheugen opgeslagen eindaanslag wilt wijzigen (zonder de andere eindaanslag te wijzigen), gaat u als volgt te werk:

<p><b>01.</b> Gebruik het wandknoppenpaneel om het rolluik (of scherm) enkele centimeters in de richting van de te wijzigen eindaanslag te brengen: <b>let er tijdens de manoeuvre op in welke richting de wikkelrol draait en lokaliseer op de kop van de motor de knop met de pijl in dezelfde richting waarin de rol draait</b> en blokkeer de manoeuvre.</p>	
<p><b>02.</b> (op de kop van de motor) Maak, terwijl het rolluik (of scherm) <b>niet in beweging is</b>, de zojuist gelokaliseerde pijlknop los (druk met een schroevendraaier op de knop).</p>	
<p><b>03.</b> Voltooi de bij punt 1 onderbroken manoeuvre met behulp van het wandknoppenpaneel en breng het rolluik (of scherm) naar de nieuwe hoogte voor de eindaanslag. <b>Opmerking</b> – Voor eventuele fijnafstelling van de hoogte gebruikt u de twee knoppen van het wandknoppenpaneel.</p>	
<p><b>04.</b> (op de kop van de motor) Sla de nieuwe hoogte, terwijl het rolluik (of scherm) <b>stilstaat bij de eindaanslag</b>, in het geheugen op door de eerder op de kop van de motor gelokaliseerde pijlknop helemaal in te drukken (met behulp van een schroevendraaier): deze <b>moet in de verlaagde stand geblokkeerd blijven.</b></p>	

## Wat te doen als... (probleemoplossingsgids)

- **Bij voeding van een fase (Omhoog of Omlaag) zal de motor niet starten.**
  - a) Controleer of de thermische beveiliging van de motor actief is. In dit geval hoeft u alleen maar te wachten tot de motor is afgekoeld om de normale werking te kunnen hervatten.
  - b) Controleer of er netspanning is en of deze overeenkomt met de waarden op het motorplaatje.
  - c) Controleer of de motor in beide draairichtingen bij de eindaanslagen geblokkeerd wordt. In dit geval hoeft u de hoogten van de eindaanslagen alleen maar opnieuw af te stellen via de procedure uit hoofdstuk 5.
  - d) Controleer of het knoppenpaneel correct is aangesloten (zie **afb. 7**).
  - e) Controleer of de voedingskabel intact is.
- **Als de motor niet automatisch stopt wanneer een eindaanslag wordt bereikt.**
  - a) Verzeker u ervan dat de pijlknoppen op de kop van de motor zijn ingedrukt en zich dus op het niveau van het oppervlak van de motor bevinden.
  - b) Controleer tijdens de manoeuvre of de wikkelrol de ring van de eindaanslag meesleept (**afb. 8-h**).
- **Als er tijdens de eerste manoeuvre sprake is van verplaatsing van de eerder geprogrammeerde standen van de eindaanslagen.**
  - a) Voer de procedure uit hoofdstuk 5 opnieuw uit ter compensatie van de speling tussen de mechanismen.

Als de problemen zich na deze controles blijven voordoen, neemt u contact op met een bevoegd technicus of met het servicecentrum van Nice.

## Afdanking van het product

Dit product maakt integraal deel uit van de automatisering en moet dan ook samen met de automatisering worden afgedankt.

Zoals ook voor de installatiehandelingen geldt, moeten ook de handelingen voor afdanking aan het einde van de bruikbaarheidsperiode van dit product door gekwalificeerd personeel worden uitgevoerd.

Dit product is vervaardigd van verschillende typen materialen: sommige materialen kunnen gerecycled worden, terwijl anderen afgedankt moeten worden. Informeer u over de systemen voor recycling of afdanking die voorzien zijn in de voorschriften die in uw omgeving voor deze productcategorie gelden. **Let op!** – bepaalde onderdelen van het product kunnen verontreinigende of gevaarlijke stoffen bevatten die bij aanraking met het milieu schadelijke gevolgen voor het milieu of de volksgezondheid kunnen hebben. Zoals door het hiernaast weergegeven symbool wordt aangegeven, is het verboden om dit product bij het huishoudelijk afval af te voeren. Pas dus “gescheiden afvalinzameling” voor afdanking toe, op basis van de methoden die zijn opgenomen in de voorschriften voor uw omgeving, of draag het product over aan de leverancier op het moment van aanschaf van een nieuw, equivalent product. **Let op!** plaatselijk geldende voorschriften kunnen voorzien in zware sancties voor gevallen van illegale afdanking van dit product.



De afvalverwerking van het verpakkingsmateriaal van het product moet volgens de plaatselijk geldende regels plaatsvinden.

## Technische specificaties

**Raadpleeg altijd de gegevens op het typeplaatje van de motor.**

**Opmerkingen:** • Alle vermelde technische gegevens hebben betrekking op een omgevingstemperatuur van 20 °C (± 5 °C). • Nice S.p.A. behoudt zich het recht voor om het product te allen tijde en wanneer zij dit nodig acht aan te passen, maar met behoud van dezelfde functionaliteit en gebruiksbestemming.

## Vereenvoudigde EG-verklaring van overeenstemming

Hierbij verklaar ik, NICE S.p.A., dat het type radioapparatuur E QUICK M 817 SH, E QUICK M 1517 SH, E QUICK M 3017 SH, conform is met Richtlijn 2014/53/EU. De volledige tekst van de EG-verklaring van overeenstemming is beschikbaar op de website: <https://www.niceforyou.com/en/support>.

**EN - Appendix**

**IT - Appendice**

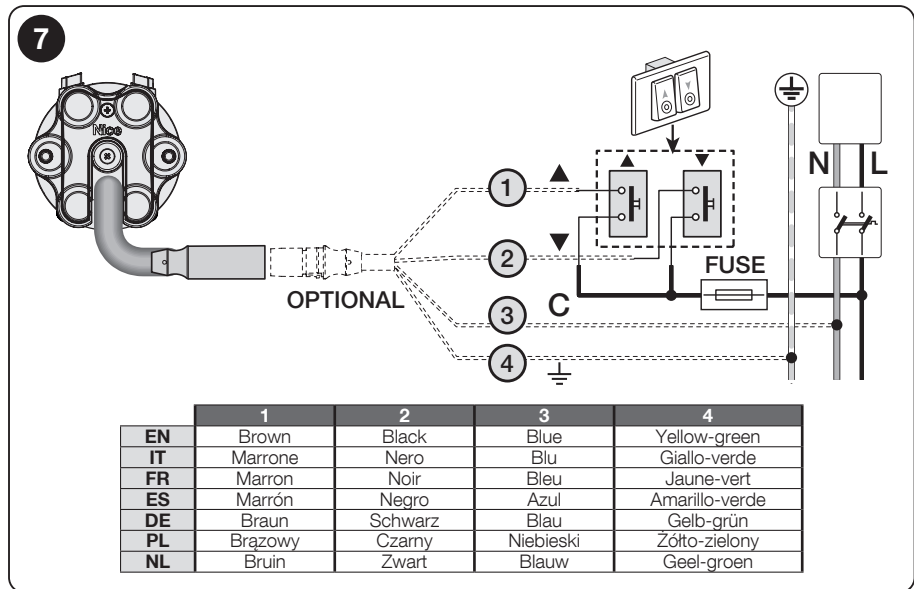
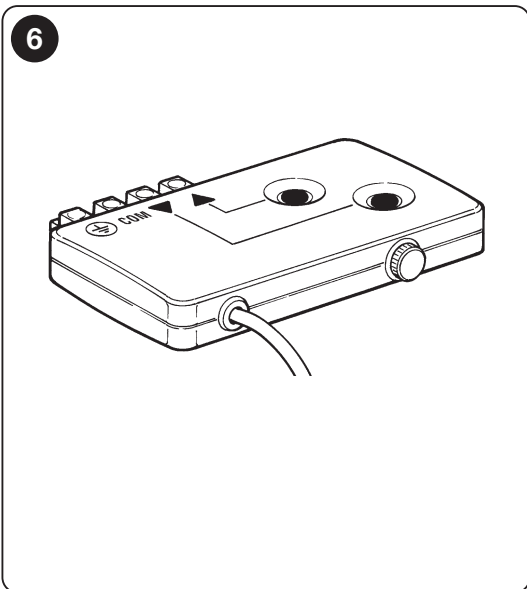
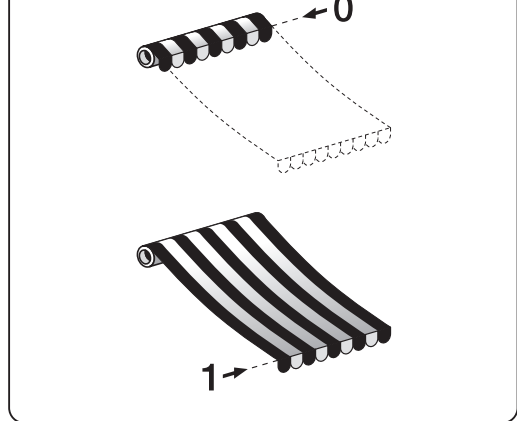
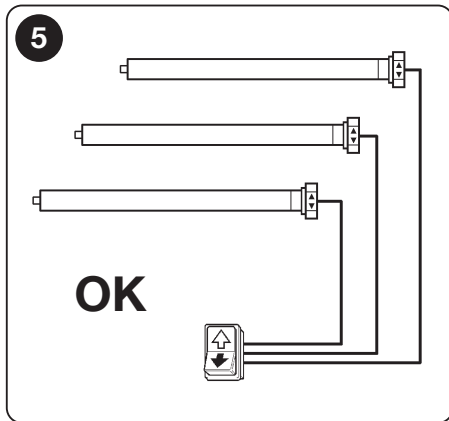
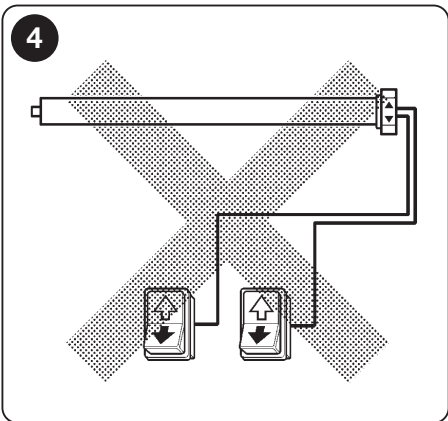
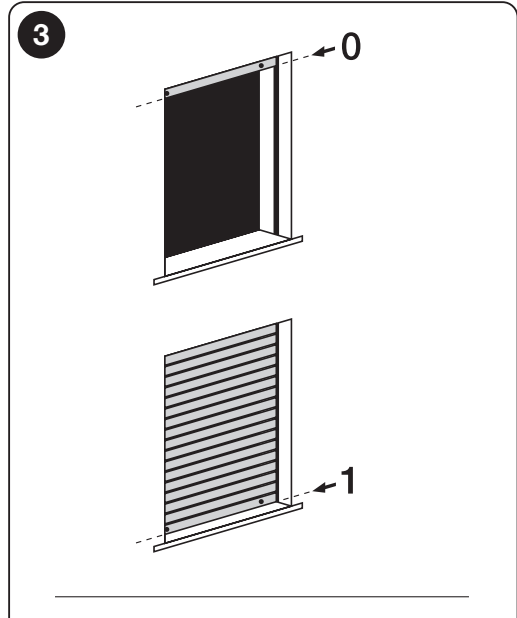
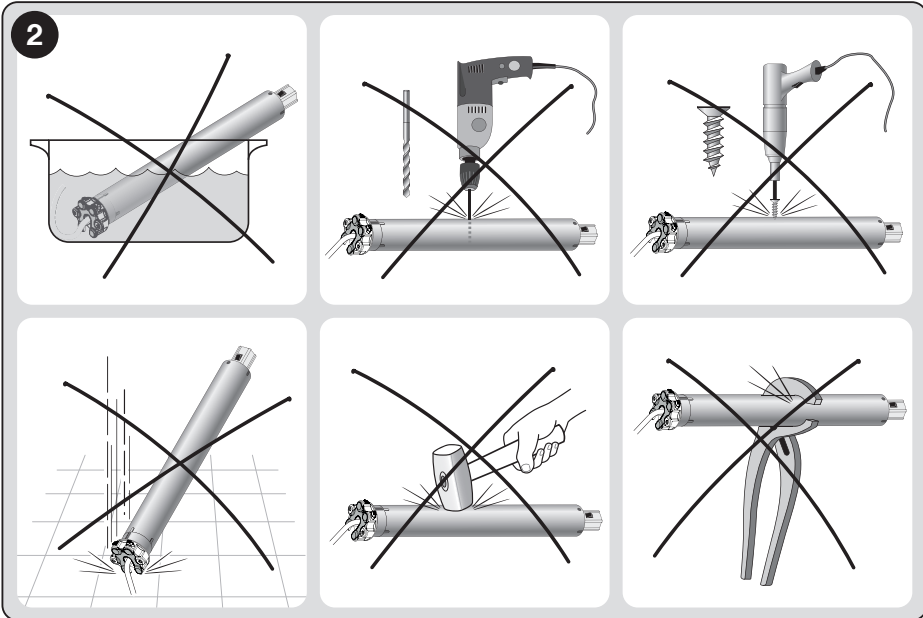
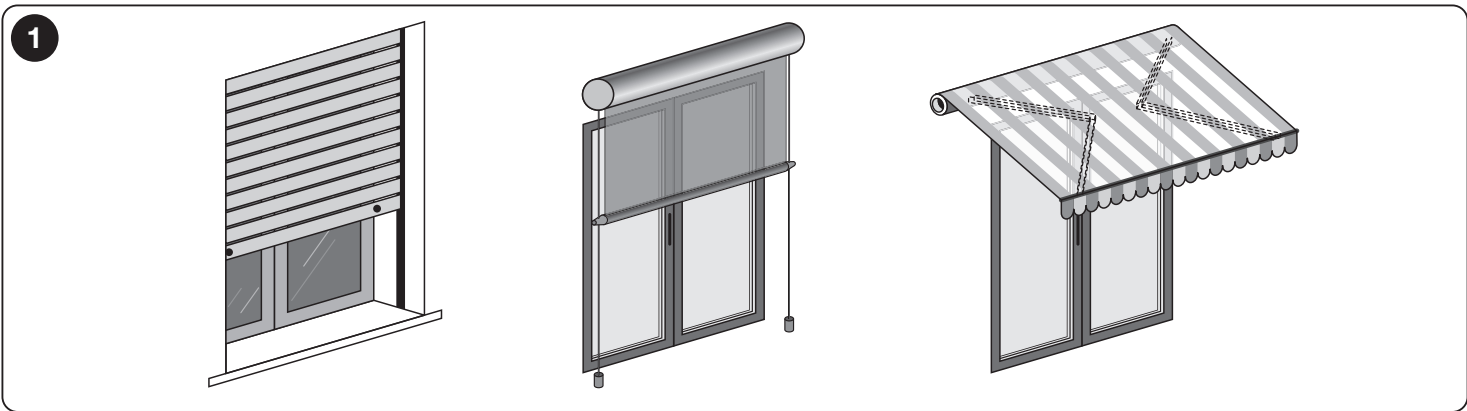
**FR - Appendice**

**ES - Apéndice**

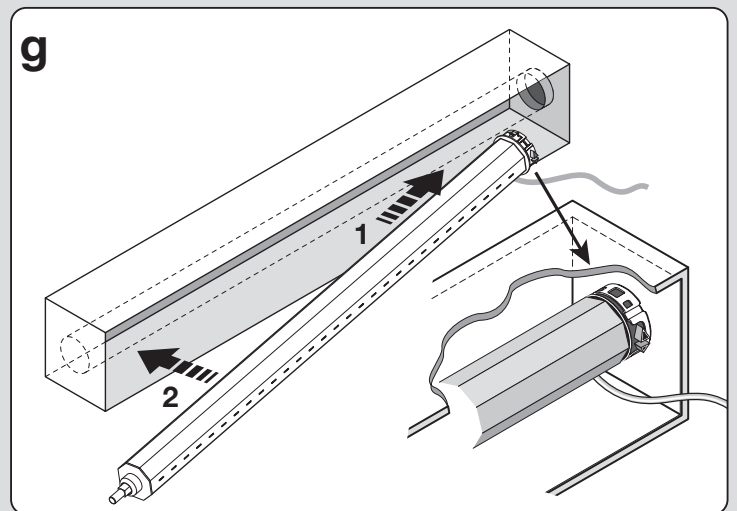
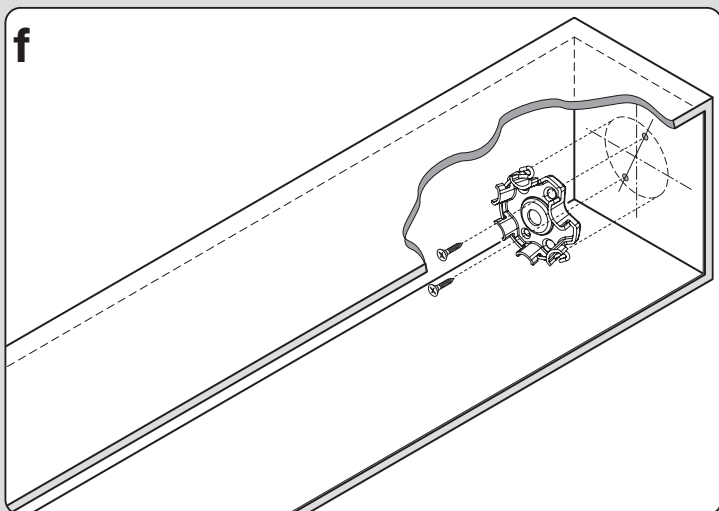
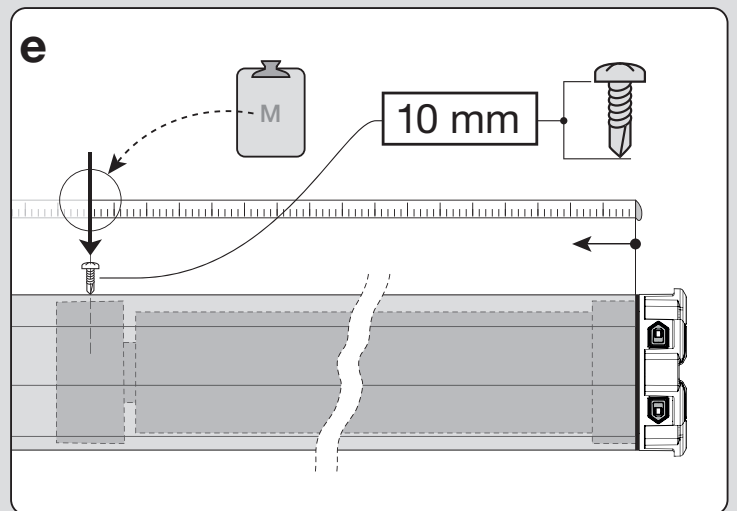
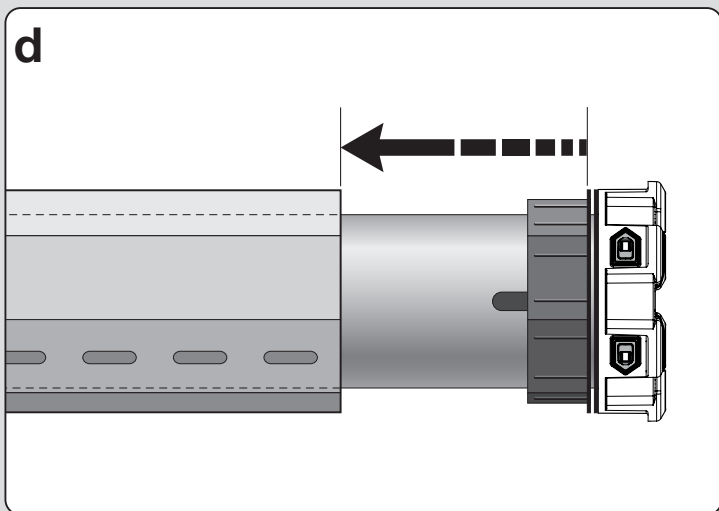
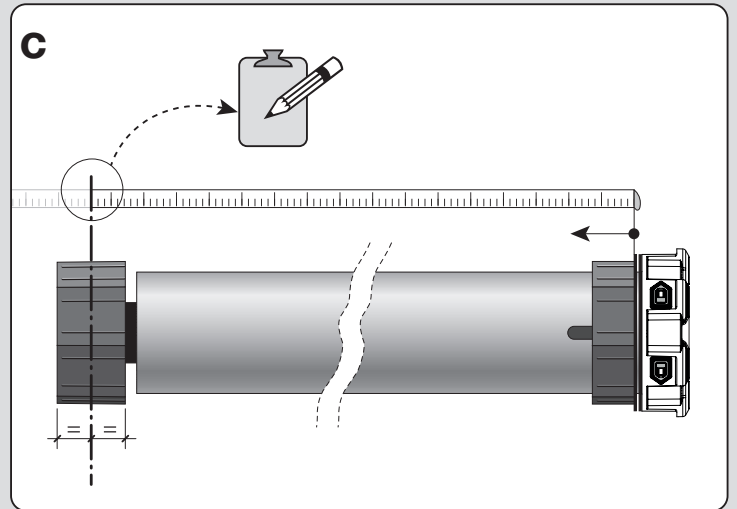
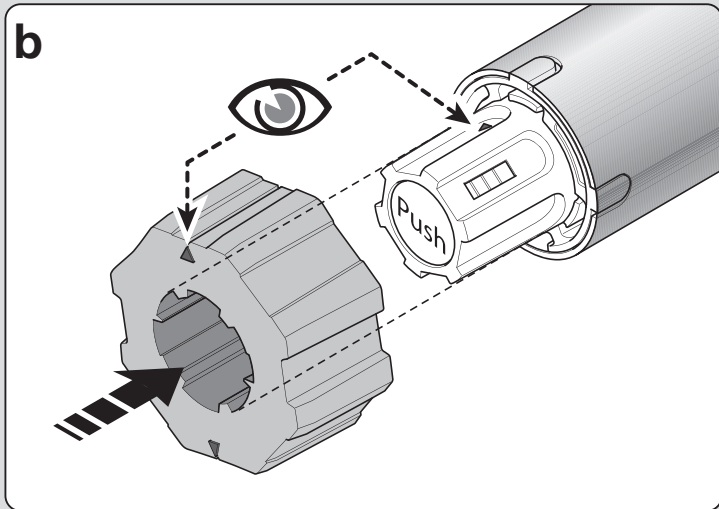
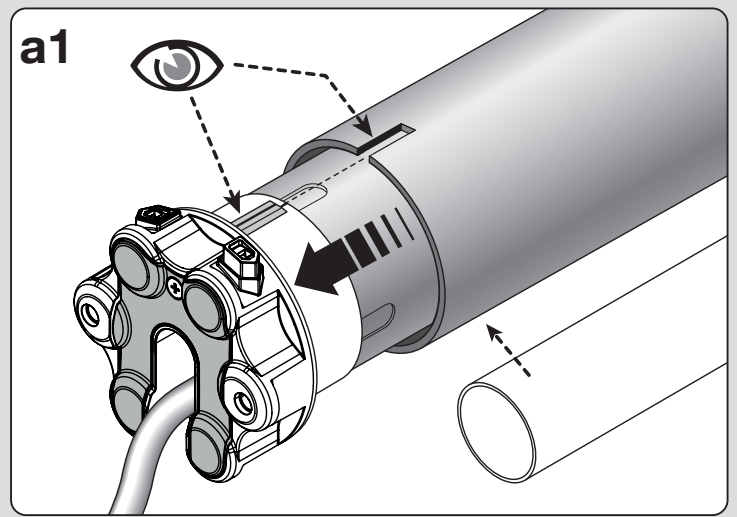
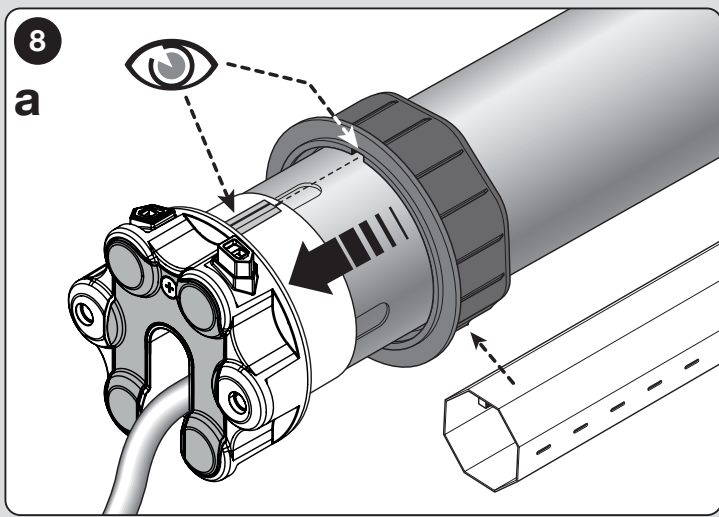
**DE - Anhang**

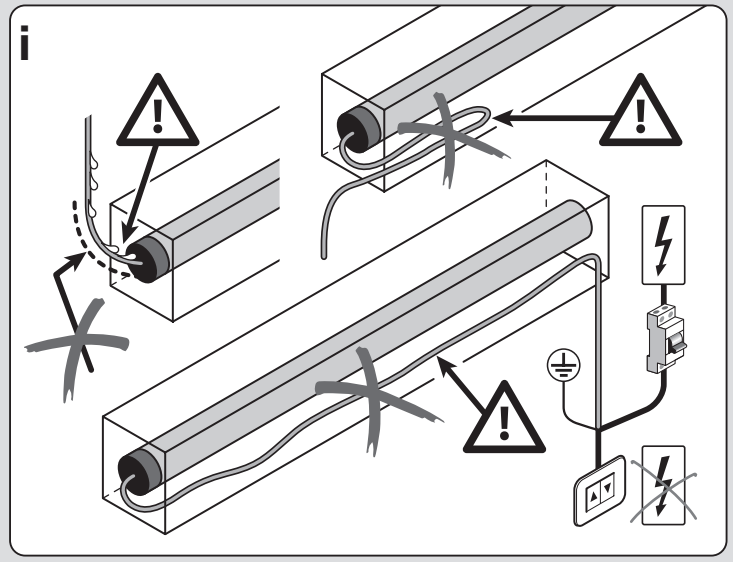
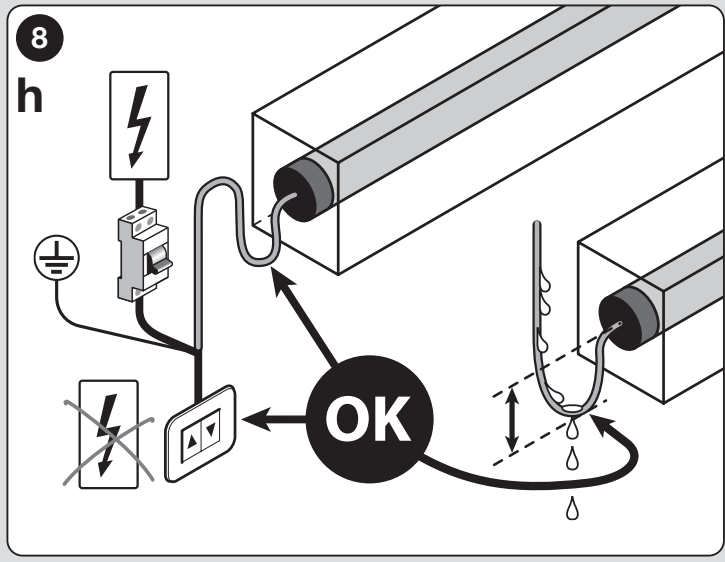
**PL - Załącznik**

**NL - Bijlage**













**Nice SpA**  
Via Callalta, 1  
31046 Oderzo TV Italy  
info@niceforyou.com

[www.niceforyou.com](http://www.niceforyou.com)