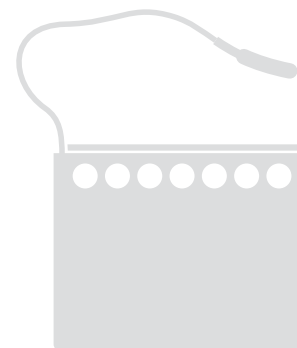


# TTDMS

**Dimmer light**



**EN - Instructions and warnings for installation and use**

**IT - Istruzioni ed avvertenze per l'installazione e l'uso**

**FR - Instructions et avertissements pour l'installation et l'utilisation**

**ES - Instrucciones y advertencias de instalación y uso**

**DE - Installierungs-und Gebrauchsanleitungen und Hinweise**

**PL - Instrukcje i ostrzeżenia dotyczące instalacji i użytkowania urządzeń**

**NL - Aanwijzingen en aanbevelingen voor installatie en gebruik**

**Nice**

## 1 - GENERAL WARNINGS AND PRECAUTIONS

• The installation must be done by a qualified technician, in compliance with the law, electrical regulations and established safety standards; so that, for reasons of personal safety, read and keep these instructions for future reference. • This manual contains important safety information; improper installations can be dangerous. • Reading only part of these instructions will not enable the user to make best use of the product. • Replace damaged bulbs as soon as possible. • Do not install the dimmer close to other sources of heat; if two or more dimmers are to be installed in a single electrical enclosure, space them by at least the width of a module. The heat dissipation of the dimmer is proportional to the power load it is controlling. • Never install a switch/breaker between the dimmer and its load: the lamp must be connected directly to the dimmer.

## 2 - PRODUCT DESCRIPTION AND INTENDED USE

The **TTDMS** is a dimmer used to switch on and off and adjust the brightness of lamps of various types (incandescent, fluorescent, led, etc.), powered by the mains. **Any other use is improper and prohibited.**

The dimmer has an integral radio receiver operating at 433.92 MHz, with "rolling code" encoding. A single dimmer may store up to 30 transmitters (for compatible models, refer to Chapter 5); each transmitter may be memorized in "Mode I" or "Mode II", which give different behaviours (see Chapter 6). The dimmer can be connected to an external button for switching on and off and adjusting the brightness of the lamp. The dimmer is programmed with a radio transmitter memorized in Mode I and with the button on the dimmer itself (or an external button). The programming procedures are guided by the flashing of the dimmer's led.

## 3 - ELECTRICAL CONNECTIONS

### 3.1 - Warnings!

- The dimmer and the lamps, including all connections, may be installed only by a qualified technician, in accordance with these instructions and local standards and legislation.
- **The dimmer is subject to hazardous voltage. Therefore, only open the dimmer's housing or any connections with the power switched off.**
- **Never cut the antenna cable: it is subject to hazardous voltage.**
- The dimmer should preferably be installed in a DIN rail enclosure for electrical modules.

1 – English

- Make the connections exactly as specified. Incorrect connections can cause malfunction and danger.
- In conformity with electrical regulations, install an electrical disconnection unit on the power line to completely cut off mains power under overvoltage category III conditions. The disconnection unit is not supplied with the product.

### 3.2 - Description of basic connections

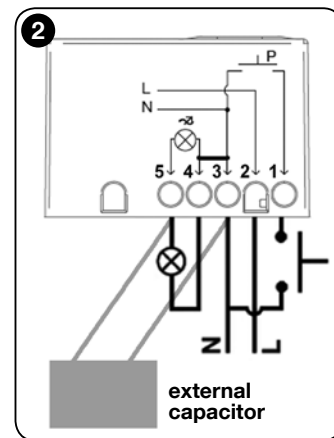
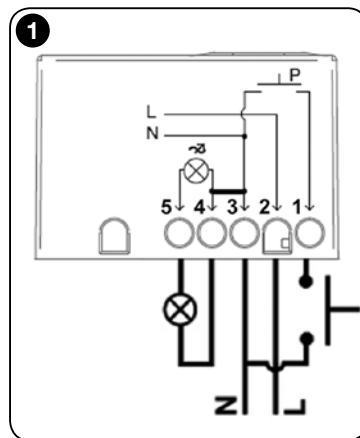
Connect the dimmer as shown in **fig. 1**. It must be connected to 220-240 V AC mains power, using terminals 2 (phase "L") and 3 (neutral "N"). An NO external button can be connected between terminals 1 (button "P") and 3 (neutral "N"). These carry the mains voltage.

**N.B.** – Pay special attention to disturbances on the downline neutral.

If the dimmer is connected to incandescents lamp or halogen, you must also connect the capacitor supplied (see **fig. 2**). Do not use the capacitor with other types of lamps.

### 3.3 - Connecting the lamps and limits of use

The dimmer may be connected to a variety of types of lamp, all with input power 230V AC  $\pm 10\%$ , 50Hz. The lamps may be incandescent, halogen, led or fluorescent (led and fluorescent lamps must be expressly declared to be compatible with dimmers by the manufacturer). If any electronic or toroidal transformers are present, they



must be expressly declared compatible with dimmers by the manufacturer. The lighting load controlled by the dimmer must be connected to terminals 4 (neutral "N") and 5 (downline phase "N"). **IMPORTANT** – Connecting multiple lamps to terminals 4 and 5 is possible, but is not recommended. In general, observe the following warnings.

- Do not connect more than 3 lamps to a single dimmer.
- All lamps connected to terminals 4 and 5 must be of the same type. Mixing led and fluorescent lamps – or even lamps of different makes or models – may cause the dimmer to malfunction or even fail.
- Using the dimmer to adjust the brightness of fluorescent and led lamps may significantly reduce the controlled power. This depends largely on the electronics used in the lamps themselves. When using such lamps, you must test the operation of the dimmer in each case; if in doubt, contact the dimmer's manufacturer.

## 4 - LEARNING THE TECHNICAL CHARACTERISTICS OF CONNECTED LAMPS

After installing and connecting the dimmer, it must be told to which type of lamp it is connected. The following two procedures memorize the technical characteristics of the lamps in the dimmer; this is necessary for the system to operate correctly (minimum/maximum brightness, illumination curves, etc.). Each type of lamp behave differently at a given power setting: for example, if the brightness is set to 10%, an incandescent lamp will turn on, but a led will most likely not do so.

### 4.1 - Learning the type of lamp connected

The dimmer is factory set to control incandescent lamps from 1 to 150 Watt. **To select a different type of lamp**, proceed as follows.

- 01.** Press and hold down the dimmer button: wait 5 seconds for the led to turn on and then turn off. Now release the button.
- 02.** Press and hold down the dimmer button: wait 5 seconds for the led to turn on and then another 5 for it to turn off; wait for the led to flash 3 times and release the button.
- 03.** Press and hold down the dimmer button: wait 5 seconds for the led to turn on and then another 5 for it to turn off; wait for the led to flash 2 times and release the button.
- 04.** Select the type of lamp you wish to program from the list and slowly press the dimmer's button the number of times indicated for that type:
  - **Incandescent lamp, 150W - 250W = 1 press.**
  - **Incandescent lamp, 1W - 150W = 2 presses.**
  - **Led lamp = 3 presses.**

- **Fluorescent lamp = 4 presses.**

Wait for 10 seconds for the led to flash the same number of times.

- 05.** Press and hold down the dimmer button: wait 5 seconds for the led to turn on and then turn off. Now release the button. To confirm the procedure, the led will flash twice.

## 5 - COMPATIBLE TRANSMITTERS AND THEIR OPERATION

### 5.1 - Compatible transmitters

The dimmer is equipped with NRC 433.92 MHz technology, using a *rolling code* encoding; this makes it compatible with the Nice transmitters listed in **Table B**. Refer to the Nice catalogue or [www.niceforyou.com](http://www.niceforyou.com) for further information.

### 5.2 - Operation of transmitters with sliders

These transmitters, along with conventional control buttons, are fitted with a touch sensitive capacitive strip. The strip works like a slider, to enable switching lamps on and off and adjusting their brightness.

- **Briefly touching the slider with a finger:** sends an absolute positioning command to the dimmer. For example: touch the slider 30% along its surface; the brightness is set to 30%; on the other hand, touch the slider at 0% along its surface to set the brightness to 0%, etc.
- **Sliding your finger along the slider** (in either direction): sends a series of commands to the dimmer which dynamically adjusts the brightness. Sliding your finger on the slider surface sends relative positioning commands; i.e., regardless of where you start, the brightness is increased/decreased from its initial value until you stop touching the surface. This means that you can adjust the brightness from its minimum value (as given in **Table A**) to its maximum value, and not from 0% to 100%. You may need to slide your finger along the slider surface more than once to completely adjust the brightness from minimum to maximum.
- If the lamp is already set to maximum brightness, attempting to increase its setting will have no effect.
- If the lamp is already set to minimum brightness, attempting to decrease its setting will have no effect.
- On some Era P slider models (e.g.: P6V, P6SV, etc.), before sending a command you must select the target dimmer by pressing the button for the channel on which the dimmer in question has been memorized.
- After sending a command, before you can send another you must wait for the led to go out: if you do not do so, the lamp may respond unpredictably.
- Touching the slider for a long time sets the transmitter to standby mode. To reactivate it just press the slider surface again, or press another button.

## 6 - IMPORTANT: READ THE FOLLOWING BEFORE MEMORIZING TRANSMITTERS

### 6.1 - Standard and custom memorization procedures

All transmitter memorization procedures fall into two alternative groups: procedures which memorize the units in standard mode, called “**Mode I procedures**”, and those which memorize them in custom mode, called “**Mode II procedures**”.

#### 6.1.1 - MODE I procedures

Procedures of this type automatically assign the three dimmer commands to the first three buttons on the transmitter (any other buttons are not programmed), in line with the unit's factory setting (not modifiable by the installer). At the end of a Mode I procedure, the transmitter will be configured as follows:

- button ▲ (or button 1): “**Dimmer Up**”.
- button ■ (or button 2): “**Toggle**”.
- button ▼ (or button 3): “**Dimmer Down**”, if present.
- button 4 (and others): if present, no function.

**N.B.:** – if you transmitter's buttons are not marked with symbols or numbers, refer to **fig. 3** to identify them.

When using the transmitter, the buttons have the following functions:

##### • **Dimmer Up:**

- briefly press the button (less than 1 second) to increase the brightness slightly, if it is not already at the maximum setting;
- hold down the button (more than 1 second) to continuously increase the brightness up to the desired setting (release the button) or the maximum.

##### • **Toggle:**

- every time you press the button, the dimmer turns the lamp on or off. The brightness when the lamp is turned on is that last set on the dimmer. This value is stored by the dimmer whenever the lamp is switched off (i.e. the brightness of the lamp when switched off) and in any case whenever 60 seconds have passed since the brightness was last adjusted (the last brightness value).

##### • **Dimmer Down:**

- briefly press the button (less than 1 second) to decrease the brightness slightly, if it is not already at the minimum setting;
- hold down the button (more than 1 second) to continuously decrease the brightness down to the desired setting (release the button) or the minimum.

#### 6.1.2 - MODE II procedures

Procedures of this type enable the installer to freely assign any dimmer command to any transmitter button. Following a Mode II procedure, to assign another command

3 – English

TABLE A	Minimum power	Max. power	Minimum brightness (%)
Type of lamp			
High power incandescent and halogen lamps, > 150 Watt	<b>150 Watt</b>	<b>250 Watt</b>	<b>15 %</b>
Low power incandescent and halogen lamps, < 150 Watt ( <b>factory setting</b> )	<b>1 Watt</b>	<b>150 Watt</b>	<b>20 %</b>
Led lamps	<b>0 Watt</b>	<b>100 Watt</b>	<b>15 %</b>
Fluorescent lamps	<b>0 Watt</b>	<b>100 Watt</b>	<b>30 %</b>

to another button, repeat the procedure from the start. The following commands can be memorized with Mode II procedures:

##### • **Dimmer Up > Dimmer Down > Dimmer Up > etc..... / Toggle:**

- hold down the button (more than 1 second) to increase the brightness (Dimmer Up). If you release the button and then hold it down again, the dimmer decreases the brightness (Dimmer Down);
- briefly press the button (less than 1 second) to turn the lamp on or off (Toggle).

##### • **Dimmer Up:**

functions as described under Mode I.

##### • **Dimmer Down:**

functions as described under Mode I.

##### • **Toggle:**

functions as described under Mode I.

##### • **Brightness level (...)** (1 / 2 / 3 / 4):

these commands each call up a different brightness setting. The factory settings for the levels are given in the following table:

---

Brightness level 1 = 25 %

---

Brightness level 2 = 50 %

---

Brightness level 3 = 75 %

---

Brightness level 4 = 100 %

---

The brightness setting for each level can be changed using the procedures given in Chapter 11. **Caution!** – If the setting is less than the minimum brightness setting (see Chapter 4) the lamp will not work properly; for instance, an On command will not turn the lamp on.

**For example:** if the dimmer is connected to a led lamp (the minimum bright-

ness setting for this type of lamp is = 30%, see Table A) and you send the Brightness level 1 command with a 25% setting (factory setting), the lamp will remain switched off because 25% is less than 30% (minimum brightness value for led lamps).

- **Off:**  
switches the lamp off.
- **On:**  
switches the lamp on at 100% brightness.

## 6.2 - Further programming instructions

In general, the dimmer can be programmed in a variety of ways. Some of these enable it to be programmed remotely, without physical access to the programming button mounted on it.

**A) Programming with another transmitter, previously memorized in the dimmer.** These procedures are given in paragraphs **8.1 - 8.2 - 8.3 - 11.1 - 12.1**.

**B) Programming with the dimmer's button.** These procedures are given in paragraphs **9.1 - 9.2 - 11.2 - 12.2**.

**C) Programming with an external button connected to the dimmer.** These procedures are given in paragraphs **10.1 - 10.2 - 11.3 - 12.3**.

- The dimmer's Led N gives four types of signal: on, off, long flash, short flash. The flashes have the following durations:
  - long flash: on for 1.5 s, off for 1.5 s.
  - short flash: on for 0.5 s, off for 0.5 s.
- During programming procedures, the dimmer's led responds to the installer's actions. The lamp connected to the dimmer gives out the same signals; this is handy if the dimmer's led is not visible during the installation process. Note however that the lamp's signals may be limited by certain factors: **a)** the led does not only flash, but also changes colour to communicate, while the lamp cannot do so; **b)** when the lamp goes out, the dimmer stores the last brightness value. If this value is too high or too low, it may make it impossible for the lamp to reproduce the dimmer led's signals. Thus, before running a procedure, always set the lamp's brightness to around 50%; **c)** a fluorescent lamp will not guarantee the correct sequence of flashes.
- Along with the led signals during procedures, the led also gives out general signals:
  - **6 green flashes.** At the end of a transmitter memorization procedure, signals that memory is full and the transmitter has not been memorized.
  - **2 green flashes.** When the dimmer is powered up, indicates that its memory is empty (= no transmitters memorized). At the end of a transmitter memorization procedure, signals that memory is locked and the transmitter has not been memorized.

- **2 red flashes.** Indicates an error at any time during a programming procedure.
- **orange flashes.** Display when running step 01 of a transmitter memorization procedure. They indicate that the transmitter has not yet been memorized and the system is ready to accept it.

- All programming procedures have a *time out*: after releasing a button, you have 30 seconds to press the next one in the sequence. Once this period times out, the dimmer quits programming mode and indicates that the procedure has been aborted by flashing red twice and turning off the lamp to which it is connected.
- Some transmitters have multiple channels (such as WM004G, WM006G, P6V, P6SV, etc.), which are selected by specific buttons. When memorizing these transmitters, before pressing the buttons required by the procedure itself, you must first select the channel to assign the dimmer to it (several dimmers may be assigned to a single channel). Then, when using the transmitter, you must select the channel for the dimmer you wish to control before sending commands to it, by pressing the channel button in question.
- Radio programming can be done for all dimmers within the range of the transmitter. Thus, before running a programming procedure, shut off power to any dimmers you do not wish to program.
- You can memorize up to 30 transmitter codes, in both Mode I and Mode II.
- To quit a programming procedure without completing it, hold down buttons **■** and **▼** of the transmitter programmed in Mode I together for 5 seconds.

## 7 - PROGRAMMING THE “FIRST TRANSMITTER” IN MODE I

This procedure is to be used solely for programming the first transmitter, and may only be used if the dimmer's memory contains no memorized transmitters. This status is indicated by the dimmer's led emitting 2 long green flashes. If the dimmer does not flash, one or more transmitters have already been memorized. In this case, you must delete any existing transmitters before running this procedure. Memorization is in Mode I.

- 01.** Shut of power to the dimmer; wait for 2 seconds, then power it up again. The led will emit 2 long green flashes. **Caution! – If the dimmer does not flash, then a first transmitter has already been memorized and this procedure may not be used.**
- 02.** (*within 5 seconds*) Hold down button **■** on the transmitter for at least 8 seconds; release when the lamp turns on to confirm that the transmitter has been memorized.
- 03.** The dimmer's led emits 2 brief green flashes, as does the lamp, to confirm.

If the procedure did not terminate successfully, the lamp does not turn on. In this case, repeat the procedure from the beginning.

## 8 - PROGRAMMING FURTHER TRANSMITTERS USING A PREVIOUSLY MEMORIZED FIRST TRANSMITTER

### 8.1 - Programming additional transmitters in Mode I (using a previously memorized transmitter)

This procedure enables you to program further transmitters using a transmitter previously memorized in Mode I, as explained in Chapter 7. The following procedure exactly copies the functions of the first transmitter to the new transmitter.

- 
01. *(on the new unit)* Hold down the button ■ for at least 8 seconds; release it (the dimmer's led will flash red).
  02. *(on the old unit)* Slowly press the button ■ 3 times, if it has been memorized.
  03. *(on the new unit)* To terminate the procedure, hold down the button ■ for at least 5 seconds and then release it. If the procedure was a success the dimmer's led will briefly flash green 2 times, and the lamp will turn on at around 50% brightness. If the procedure has failed the dimmer's led will flash orange 2 times. In this case, turn off the device, turn it back on, wait for 150 seconds and repeat the procedure from the beginning.
- 

### 8.2 - Programming additional transmitters in Mode II (using a previously memorized transmitter)

This procedure enables you to program further transmitters using a transmitter previously memorized in Mode I, as explained in Chapter 7. The procedure memorizes the new unit in Mode II.

---

Before starting, turn on the lamp, set it to minimum brightness, and turn it off.

01. *(on the old unit)* Hold down the button ■; wait (5 seconds) until the lamp turns on at maximum brightness. Now release the button. The dimmer's led will emit a single brief green flash.
02. *(on the old unit)* Hold down the button ■; wait (5 seconds) for the brightness of the lamp to reduce to about 10%. Now release the button. The dimmer's led will emit 2 brief green flashes.
03. *(on the old unit)* From the following list, select the command you wish to program and slowly press the button ■ the corresponding number of times:
  - “Dimmer Up > Dimmer Down > Dimmer Up > etc....” / “Toggle” (= 1 press of button ■)
  - “Dimmer Up” (= 2 presses of button ■)
  - “Dimmer Down” (= 3 presses of button ■)

- “Toggle” (= 4 presses of button ■)
- “Level 1” (= 5 presses of button ■)
- “Level 2” (= 6 presses of button ■)
- “Level 3” (= 7 presses of button ■)
- “Level 4” (= 8 presses of button ■)
- “Off” (= 9 presses of button ■)
- “On” (= 10 presses of button ■)

Wait 10 seconds for the lamp to turn off completely, after which the led will briefly flash green for the same number of times as the number of presses of the button ■, for the selected command. **Caution!** – it is essential that you wait for the lamp to turn off completely before sending any commands with the new unit; if you attempt to transmit commands prematurely, the transmitter is not memorized.

04. *(on the new unit)* Hold down the button you wish to program and wait (5 seconds) for the lamp to turn on. If the procedure was successful, the led will emit 3 brief green flashes and the lamp will turn on. If the lamp does not turn on, repeat the procedure from the beginning.
- 

If you wish to memorise another button on the same, or another, transmitter, repeat the procedure from the beginning.

### 8.3 - Deleting the memory (using a previously memorized transmitter)

You can use a transmitter memorized in Mode I to totally or partially delete the dimmer's memory.

---

Before starting, turn on the lamp, set it to minimum brightness, and turn it off.

01. Hold down the button ■; wait (5 seconds) until the lamp turns on at 100% brightness. Now release the button. The dimmer's led will emit a single brief green flash.
02. Hold down the button ▼; wait (5 seconds) for the lamp to turn on at 10% brightness. Now release the button. The dimmer's led will emit 2 brief green flashes.
03. Hold down the button ▲; wait (5 seconds) until the lamp turns on at 50% brightness. Now release the button. The dimmer's led will emit 3 brief green flashes.
04. Hold down the button ■; wait (5 seconds) until the lamp turns on at 10% brightness. Now release the button. The dimmer's led will emit 4 brief green flashes.
05. Select what you wish to delete from the list, then press and hold down the button on the transmitter corresponding to the choice:
  - **delete transmitters only** (= hold down ▲);
  - **delete parameters only** (= hold down ■);
  - **delete all transmitters and parameters** (= hold down ▼).

Wait (5 seconds) for the lamp to turn off completely. Now release the button. The dimmer's led will emit 2 brief green flashes and the lamp will turn off. If the lamp

remains on and the led emits 2 brief red flashes, repeat the procedure from the beginning.

## 9 - PROGRAMMING TRANSMITTERS USING THE BUTTON ON THE DIMMER

### 9.1 - Programming a transmitter in Mode II (using the dimmer's button)

This procedure memorizes a transmitter in mode II. In this case you do not require a transmitter to have already been memorized in Mode I.

Before starting, turn on the lamp, set it to minimum brightness, and turn it off.

01. (on the dimmer) Hold down the button until the green led turns on and off; release the button.
02. (on the dimmer) Hold down the button until the green led turns on and off; release the button.
03. (on the dimmer) Hold down the button until the green led turns on and off and then flashes green 5 times; release the button.
04. Select the type of function you wish to program from the list and slowly press the dimmer's button the number of times indicated for that function:
  - "Dimmer Up > Dimmer Down > Dimmer Up > etc...." / "Toggle" (= 1 press)
  - "Dimmer Up" (= 2 presses)
  - "Dimmer Down" (= 3 presses)
  - "Toggle" (= 4 presses)
  - "Level 1" (= 5 presses)
  - "Level 2" (= 6 presses)
  - "Level 3" (= 7 presses)
  - "Level 4" (= 8 presses)
  - "Off" (= 9 presses)
  - "On" (= 10 presses)

Wait for the led to emit the same number of brief green flashes as the number of presses for the function in question.

05. (on the transmitter) Hold down the button you want to program; wait (5 seconds) until the led emit 3 brief green flashes and the lamp turns on to 50% brightness. Now release the button.

If you wish to memorise another button on the same, or another, transmitter, repeat the procedure from the beginning.

### 9.2 - Deleting the memory (using the dimmer's button)

You can use the dimmer's button to totally or partially delete the dimmer's memory.

01. Hold down the button until the green led turns on and off; release the button.
02. Hold down the button until the green led turns on and off and flashes green 2 times; release the button.
03. Hold down the button until the green led turns on and off and flashes green 5 times; release the button.
04. Select what you want to delete from the following list, then press the dimmer's button the same number of times as indicated for the option in question:
  - delete transmitters only (= 1 press);
  - delete parameters only (= 2 presses);
  - delete all transmitters and parameters (= 3 presses).Wait 10 seconds for the green led to flash the same number of times as the button presses (and hence your selected option).
05. Hold down the dimmer's button; wait for the green led to turn on and off, then release the button: the led will flash green briefly 2 times to confirm the deletion.

## 10 - PROGRAMMING TRANSMITTERS USING AN EXTERNAL BUTTON

You can connect an external button to the dimmer to switch the lamp on and off and adjust its brightness. The button can also be used for programming. During the procedure, the led's flashes are repeated by the lamp itself. This means that you are not forced to monitor the led on the dimmer. **Important** – if you use a fluorescent or led lamp, it may not flash in the same way as the led on the dimmer itself. This depends largely on the technology of the lamp, which varies considerably by make and model.

### 10.1 - Programming a transmitter in Mode II (using an external button)

This procedure memorizes a transmitter in mode II.

Before starting, turn on the lamp, set it to minimum brightness, and turn it off.

01. Shut off power to the dimmer; hold down the external button, then power the dimmer up again. Wait for the green led to turn on and the lamp to turn on at minimum brightness; then release the external button.
02. Hold down the external button; wait for the green led to turn on and stay on and for the lamp's brightness to increase; then wait for the led to go out and the lamp's brightness to decrease; release the button.
03. Hold down the external button; wait for the green led to turn on and stay on and for the lamp's brightness to increase; then wait for the led to go out and the

lamp's brightness to decrease; release the button.

**04.** Hold down the external button; wait for the green led to turn on and off; wait for the lamp's brightness to increase and then decrease; wait for the led and lamp to both emit 2 brief flashes; release the external button.

**05.** Select the type of function you wish to program from the list and slowly press the external button the number of times indicated for that function:

- **"Dimmer Up > Dimmer Down > Dimmer Up > etc....." / "Toggle"** (= 1 press)
- **"Dimmer Up"** (= 2 presses)
- **"Dimmer Down"** (= 3 presses)
- **"Toggle"** (= 4 presses)
- **"Level 1"** (= 5 presses)
- **"Level 2"** (= 6 presses)
- **"Level 3"** (= 7 presses)
- **"Level 4"** (= 8 presses)
- **"Off"** (= 9 presses)
- **"On"** (= 10 presses)

Wait for the green led and the lamp to flash the same number of times as the number of presses, corresponding to the selected function. Then wait for the lamp to turn off.

**06.** Hold down the transmitter button you want to program; release after the first time the led flashes green (followed by 2 more flashes); the lamp turns on at 50% brightness.

If you wish to memorise another button on the same, or another, transmitter, repeat the procedure from the beginning.

## 10.2 - Deleting the memory (using an external button)

You can use the external button to totally or partially delete the dimmer's memory.

Before starting, turn on the lamp, set it to minimum brightness, and turn it off.

**01.** Shut off power to the dimmer.

**02.** Hold down the external button; power up the dimmer and wait for the green led to turn on and the lamp to turn on at minimum brightness. Release the button.

**03.** Hold down the external button; wait for the led to turn on steady green and the lamp to increase its brightness; wait for the led to go out and the lamp's brightness to decrease. Release the button.

**04.** Hold down the external button; wait for the led to turn on steady green and the lamp to increase and decrease its brightness; wait for the led and lamp to flash 2 times. Release the button.

**05.** Hold down the external button; wait for the led to turn on steady green and then turn off, and the lamp to increase and decrease its brightness; wait for the led to

flash green 5 times. Release the button.

**06.** Select what you want to delete from the following list, then press the external button the same number of times as indicated for the option in question:

- **delete transmitters only** (= 1 press);
- **delete parameters only** (= 2 presses);
- **delete all transmitters and parameters** (= 3 presses).

Wait 10 seconds for the green led to flash the same number of times as the button presses (and hence your selected option).

**07.** Hold down the external button; wait for the led to turn on steady green and then turn off; release the button and wait for the led to flash green 2 times.

The led flashes briefly green 2 times and the lamp flashes twice briefly to confirm. The lamp then stays off.

## 11 - PROGRAMMING THE BRIGHTNESS LEVELS

4 brightness levels may be programmed into the dimmer. The factory settings are as follows:

Level 1 = (25% brightness)

Level 2 = (50% brightness)

Level 3 = (75% brightness)

Level 4 = (100% brightness)

These levels may only be called up if the corresponding buttons of a transmitter are programmed in Mode II. **Caution!** – A transmitter programmed in Mode I cannot call up brightness settings. The 4 levels can be redefined using any of the three following procedures.

### 11.1 - Setting a new level and memorizing it in Mode II (using another previously memorized transmitter)

This procedure can only be done with a Mode I transmitter. The procedure resets a single brightness level; to set another level, repeat the procedure from the beginning.

Before starting, turn on the lamp, set it to minimum brightness, and turn it off.

**01.** Hold down the button ■; wait (5 seconds) for the lamp to turn on at maximum brightness / the led to flash briefly green 1 time. Now release the button.

**02.** Hold down the button ▲; wait (5 seconds) for the lamp to reduce to 10% brightness / the led to flash briefly green 2 times. Now release the button.

**03.** Use the buttons ▲ and ▼ to adjust the brightness of the lamp to the desired value. Wait (10 seconds) for the lamp to turn off completely.

**04.** Select the level you wish to assign the setting to from the list and proceed as indicated:

- **Level 1** (= hold down ▲; wait for the led to flash green 3 times, then release



the button).

- **Level 2** (= hold down ■; wait for the led to flash green 3 times, then release the button).
- **Level 3** (= hold down ▼; wait for the led to flash green 3 times, then release the button).
- **Level 4**: (= hold down ▲ and ▼ together; wait for the led to flash green 3 times, then release the buttons).

### 11.2 - Setting a new level and memorizing it in Mode II (using the dimmer button)

Before starting, turn on the lamp, set it to minimum brightness, and turn it off.

01. Hold down the dimmer button until the green led turns on and off; release the button.
02. Hold down the dimmer button until the green led turns on and off; release the button.
03. Hold down the dimmer button until the led turns on green, turns off and then flashes green 2 times; release the button.
04. Set the lamp's brightness to the desired setting using the dimmer button as follows:
  - **first long press**: increases the brightness until the button is released.
  - **second long press**: decreases the brightness until the button is released.

**Caution!** – Briefly pressing the button activates the Toggle function (On/Off). Once you have reached the desired setting wait (10 seconds) until the led flashes green 2 times.
05. Select the level you wish to assign the new setting to from the list and slowly press the dimmer button the number of times indicated:
  - **Level 1** (= 1 press of dimmer button);
  - **Level 2** (= 2 presses of dimmer button);
  - **Level 3** (= 3 presses of dimmer button);
  - **Level 4** (= 4 presses of dimmer button).

Wait 10 seconds for the green led to flash the same number of times as the button presses (and hence your selected option).
06. Hold down the dimmer button until the green led turns on and off; release the button. If the procedure was a success the dimmer's led will briefly flash green 2 times, and the lamp will turn on at minimum brightness.

### 11.3 - Setting a new level and memorizing it in Mode II (using an external button)

Before starting, turn on the lamp, set it to minimum brightness, and turn it off.

01. Shut off power to the dimmer; hold down the external button, then power the

dimmer up again. Wait for the green led to turn on and the lamp to turn on at minimum brightness. Release the external button.

02. Hold down the external button; wait for the green led to turn on and stay on and for the lamp's brightness to increase; then wait for the led to go out and the lamp's brightness to decrease. Release the external button.
03. Hold down the external button; wait for the green led to turn on and stay on and for the lamp's brightness to increase; then wait for the led to go out and the lamp's brightness to decrease. Release the external button.
04. Hold down the external button; wait for the green led to turn on and off; wait for the lamp's brightness to increase and then decrease; wait for the led and lamp to both emit 2 brief flashes. Release the external button.
05. Set the lamp's brightness to the desired setting using the external button as follows:
  - **first long press**: increases the brightness until the button is released.
  - **second long press**: decreases the brightness until the button is released.

**Caution!** – Briefly pressing the button activates the Toggle function (On/Off). Once you have reached the desired setting wait (10 seconds) until the green led and the lamp flash 2 times.
06. Select the level you wish to assign the new setting to from the list and slowly press the external button the number of times indicated:
  - **Level 1** (= 1 press of external button);
  - **Level 2** (= 2 presses of external button);
  - **Level 3** (= 3 presses of external button);
  - **Level 4** (= 4 presses of external button).

Wait around 10 seconds for the green led and the lamp to flash the same number of times as the number of presses, corresponding to the selected level.
07. Hold down the external button; wait for the green led and lamp to turn on steady and turn off again; now release the external button.  
If the procedure was a success the dimmer's led will briefly flash green 2 times, and the lamp will turn on at minimum brightness.

## 12 - LOCKING AND UNLOCKING THE MEMORY

As said in Chapter 8, you can memorize new transmitters using a previously memorized transmitter. When doing so, if another Nice transmitter with *rolling code* encoding is transmitting in the vicinity of the dimmer, there is a risk that it be unintentionally memorized in the dimmer. To avoid this, you can lock the dimmer's memory as follows.

### 12.1 - Locking/unlocking the memory (using a previously memorized transmitter)

This procedure can only be done with a Mode I transmitter.

Before starting, turn on the lamp, set it to minimum brightness, and turn it off.

01. Hold down the button **■** on the transmitter; wait for the dimmer's led to flash once green and the lamp to increase its brightness to the maximum. Now release the button.
02. Hold down the button **▼** on the transmitter; wait for the dimmer's led to briefly flash green 2 times and the lamp to decrease its brightness to 10%. Now release the button.
03. Hold down the button **▲** on the transmitter; wait for the dimmer's led to briefly flash green 3 times and the lamp to increase its brightness to 50%. Now release the button.
04. Hold down the button **▲** on the transmitter; wait for the dimmer's led to briefly flash green 4 times and the lamp to decrease its brightness to 10%. Now release the button.
05. Select the desired option from the list:
  - **to lock the memory** (= use button **▲**);
  - **to unlock the memory** (= use button **■**).
 Now hold down the transmitter button indicated in the option in question; wait for the led to flash green 2 times and turn off. Now release the button.

### 12.2 - Locking/unlocking the memory (using the dimmer's button)

01. Hold down the dimmer button until the green led turns on and off; release the button.
02. Hold down the dimmer button until the led turns on green, turns off and then flashes green 2 times; release the button.
03. Hold down the dimmer button until the led turns on green, turns off and then flashes green 2 times; release the button.
04. Select the desired option from the list, then slowly press the dimmer's button the corresponding number of times:
  - **to lock the memory** (= 1 press);
  - **to unlock the memory** (= 2 presses).
 Wait 10 seconds for the led to flash green the number of times indicated for the selected option.
05. Hold down the dimmer's button; wait for the green led to turn on and off, then release the button: the led will flash green briefly 2 times to confirm the deletion.

### 12.3 - Locking/unlocking the memory (using an external button)

Before starting, turn on the lamp, set it to minimum brightness, and turn it off.

01. Shut off power to the dimmer; hold down the external button, then power the dimmer up again. Wait for the green led to turn on and the lamp to turn on at

minimum brightness. Release the external button.

02. Hold down the external button; the green led turns on and then off again; the lamp's brightness increases and then decreases; the green led and the lamp flash 2 times. Release the external button.
03. Hold down the external button; the green led turns on and then off again; the lamp's brightness increases and then decreases; the green led and the lamp flash 2 times. Release the external button.
04. Press the external button the number of times corresponding to the option you wish to program:
  - **to lock the memory** (= 1 press);
  - **unlock the memory** (= 2 presses).
 10 seconds after the last press, the green led and the lamp flash the same number of times.
05. Press the external button and hold it down. The green led turns on and the lamp's brightness increases; as soon as the led turns off and the lamp's brightness has decreased again, release the button. As a confirmation, the green led and lamp will flash 2 times.

## 13 - TECHNICAL SPECIFICATIONS

• **Power input:** 230 V AC,  $\pm 10\%$  50Hz • **Maximum absorption:** < 500mW in standby, excluding load • **Maximum load:** 250W / 200VA • **Dissipation:** 2.5 W/A (estimated) • **Type of lamp (all with power supply 230 V AC  $\pm 10\%$ , 50Hz):** incandescent and halogen lamp; led lamp; neon lamp • **IP rating:** 20 • **Dimensions:** 47 x 18 x 32 mm • **Weight:** 30 g

## 14 - SCRAPPING

• As when installing the product, when the product reaches the end of its service life, it must be scrapped by a qualified technician. • This product is made up of different types of material, some of which can be recycled while others must be disposed of. Seek information on the recycling and disposal systems available in your area for this product category. **Caution!** – some parts of the product may contain pollutant or hazardous substances which, if disposed of into the environment, may cause serious damage to the environment or physical health. As indicated by the adjacent symbol, it is strictly forbidden to dispose of this product together with domestic waste. Therefore, implement separate waste collection criteria for disposal according to the regulations in force in your area, or return the product to the dealer when purchasing a new equivalent version. **Caution!** – Local legislation may envisage serious fines in the event of abusive disposal of this product. • The packing materials of the product must be disposed of in compliance with local regulations.



# CE DECLARATION OF CONFORMITY

Declaration in compliance with Directive 1999/5/EC

**Note** – The content of this declaration corresponds to that specified in the official document deposited at the Nice S.p.A. headquarters and, in particular, to the latest revised edition available prior to the publishing of this manual. The text herein has been re-edited for editorial purposes. A copy of the original declaration can be requested from Nice S.p.A. (prov. of Treviso – Italy).

Declaration number: **480/TTDMS** Revision: **0** Language: **EN**

The undersigned, Luigi Paro, in his role of Managing Director, hereby declares, under his sole responsibility, that the product: • **Manufacturer's name:** NICE S.p.A. • **Address:** Via Pezza Alta 13, 31046 Rustignè di Oderzo (TV) Italy • **Type of product:** Light control dimmer, power up to 250W / 200VA • **Model / Type:** TTDMS • **Accessories:** none

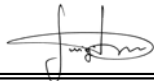
Complies with the essential requirements pursuant to Article 3 of the following European directive, relevant to the use for which the products are intended:

- **DIRECTIVE 1999/5/EC OF THE EUROPEAN PARLIAMENT AND OF THE COUNCIL** of 9 March 1999 on radio equipment and telecommunications terminal equipment and the mutual recognition of their conformity, in accordance with the following harmonised standards:
  - Health and safety (Art. 3(1)(a)): EN 62479:2010
  - Electrical safety (Art. 3(1)(a)): EN 60950-1:2006 + A1:2010 + A12:2011
  - Electromagnetic compatibility (Art. 3(1)(b)): EN 301 489-1 V1.9.1:2011; EN 301 489-3 V1.4.1:2002
  - Radio spectrum (Art. 3(2)): EN 300 220-2 V2.4.1:2012

Moreover, the product complies with that specified in the following European directives:

- **Directive 2006/95/EC** of the European Parliament and Council dated 12 December 2006 on the harmonisation of the laws of Member states relating to electrical equipment designed for use within certain voltage limits, according to the following harmonised regulations:  
EN 60669-2-1:2004 + A1:2009 + A12:2010
- **DIRECTIVE 2004/108/EC OF THE EUROPEAN PARLIAMENT AND OF THE COUNCIL** of 15 December 2004 on the approximation of the laws of the Member States relating to electromagnetic compatibility and repealing Directive 89/336/EEC, in accordance with following harmonised standards:  
EN 55015:2006 + A1:2007 + A2:2009; EN 61547:2009, EN 61000-3-2:2006 + A1:2009 + A2:2009; EN 61000-3-3:2008

Oderzo, 3 June 2013



Mr. **Luigi Paro** (Managing Director)

## ITALIANO

Istruzioni originali e complete

### 1 - AVVERTENZE E PRECAUZIONI GENERALI

• L'installazione deve essere eseguita da personale tecnico qualificato, nel pieno rispetto delle leggi, delle normative elettriche e delle norme di sicurezza vigenti; pertanto, per la sicurezza delle persone è importante rispettare queste istruzioni e conservarle per poterle consultare in futuro. • Il presente manuale contiene importanti disposizioni per la sicurezza dell'installazione; installazioni non corrette possono creare gravi situazioni di pericolo. • Una lettura solo parziale di queste istruzioni non permetterà all'utente di sfruttare al meglio le caratteristiche di questo prodotto. • Sostituire tempestivamente le lampadine danneggiate. • Non installare mai il dimmer in vicinanza di altri oggetti in grado di produrre calore: se devono essere installati due o più dimmer nello stesso quadro elettrico lasciare fra di loro almeno uno spazio libero pari all'ingombro di un modulo. La dissipazione del calore da parte del dimmer è proporzionale alla potenza del carico controllato. • Non installare mai un interruttore/sezionatore tra il dimmer e il carico dimmerato: la lampada deve essere collegata direttamente al dimmer.

### 2 - DESCRIZIONE DEL PRODOTTO E DESTINAZIONE D'USO

**TTDMS** è un dimmer che permette di accendere, spegnere e regolare l'intensità luminosa di lampade appartenenti a varie tipologie (a incandescenza, a fluorescenza, a Led, etc.), alimentate da tensione di rete. **Ogni altro uso è improprio e vietato.** Il dimmer incorpora un ricevitore radio che opera alla frequenza di 433.92 MHz, con codifica di tipo "rolling code". In un dimmer possono essere memorizzati fino a 30 trasmettitori (per conoscere i modelli utilizzabili leggere il capitolo 5); ogni trasmettitore può essere memorizzato in "Modo I" o in "Modo II", per ottenere comportamenti differenti (leggere il capitolo 6). È possibile collegare al dimmer un pulsante esterno con il quale accendere, spegnere e regolare l'intensità luminosa della lampada. La programmazione del dimmer viene fatta con un trasmettitore radio memorizzato in "Modo I" e con il pulsante presente sul dimmer (oppure con un pulsante esterno). Le procedure di programmazione vengono guidate dai lampeggi emessi dal Led del dimmer.

### 3 - COLLEGAMENTI ELETTRICI

#### 3.1 - Avvertenze!

• L'installazione del dimmer e delle lampade, compreso tutti i collegamenti, sono operazioni che devono essere eseguite esclusivamente da personale tecnico qualificato, nel

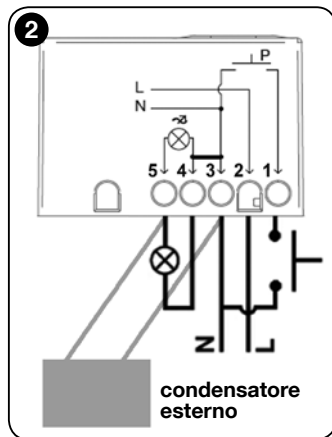
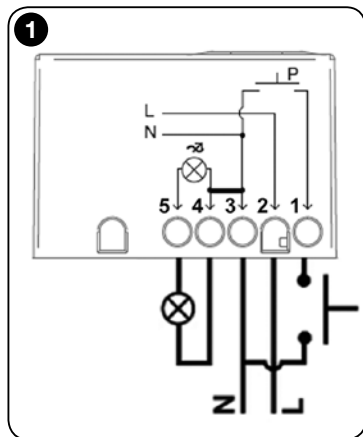
totale rispetto delle presenti istruzioni, delle norme e delle leggi esistenti sul territorio.

- **Il dimmer è sottoposto a tensione elettrica pericolosa. Pertanto, l'apertura del contenitore del dimmer e tutti i collegamenti devono essere eseguiti in assenza di tensione elettrica.**
- **Non tagliare per nessun motivo il cavo dell'antenna: questo è sottoposto a tensione elettrica pericolosa.**
- L'installazione del dimmer deve avvenire preferibilmente all'interno di quadri elettrici muniti di una guida DIN per il supporto dei moduli elettrici.
- Rispettare scrupolosamente i collegamenti previsti. Un collegamento errato può provocare guasti o situazioni di pericolo.
- In conformità alle regole di installazione elettrica, prevedere nella linea elettrica che alimenta il dimmer, un dispositivo di disconnessione elettrica che assicuri la disconnessione completa dalla rete nelle condizioni della categoria di sovratensione III. Questo dispositivo non è fornito con il prodotto.

### 3.2 - Descrizione dei collegamenti di base

Collegare il dimmer come indicato nella **fig. 1**. Questo deve essere collegato a una tensione di rete a 220-240 Vac, utilizzando i morsetti 2 (fase "L") e 3 (neutro "N"). L'eventuale pulsante esterno, normalmente aperto, deve essere collegato tra i morsetti 1 (pulsante "P") e 3 (neutro "N"). Su questi sarà presente la tensione di rete.

**Nota** – Prestare particolare attenzione ai disturbi che potrebbero essere presenti sul neutro della linea dimmerata.



Se il dimmer viene collegato a lampade alogene o ad incandescenza, è necessario collegare anche il condensatore in dotazione (vedere la **fig. 2**). Non utilizzare il condensatore con altre tipologie di lampade.

### 3.3 - Collegamento delle sorgenti luminose e limiti d'impiego

Il dimmer può essere collegato a diverse tipologie di lampade, tutte con un'alimentazione di ingresso di 230Vac  $\pm 10\%$ , 50Hz. La tecnologia delle lampade può essere a incandescenza, alogena, a Led e a fluorescenza (le lampade a Led e a fluorescenza soltanto se esplicitamente dichiarate dimmerabili dal costruttore). In caso di presenza di trasformatori elettronici o trasformatori toroidali, questi devono essere dichiarati dimmerabili dal costruttore.

Il carico illuminotecnico da controllare deve essere collegato ai morsetti 4 (neutro "N") e 5 (fase dimmerata "↻"). **IMPORTANTE** – La connessione contemporanea di più sorgenti luminose, ai morsetti 4 e 5, è possibile ma sconsigliata. In generale, fare attenzione alle seguenti avvertenze.

- È sconsigliabile collegare contemporaneamente più di tre lampade a un dimmer.
- Le lampade collegate contemporaneamente ai capi dei morsetti 4 e 5 devono appartenere alla stessa tipologia. Infatti, la miscelanza di lampade a Led con lampade a fluorescenza, – o anche semplicemente di marche e/o modelli differenti, – può causare anomalie nel funzionamento del dimmer o addirittura causare il suo mancato funzionamento.
- L'utilizzo del dimmer per regolare la luminosità di lampade a fluorescenza e lampade a Led può ridurre, anche sensibilmente, la potenza gestibile. Infatti questa dipende fortemente dalla tecnologia elettronica adottata dalle lampade. Con questo tipo di lampade le funzionalità del dimmer devono essere testate di volta in volta; in caso di dubbi contattare il produttore del dimmer.

## 4 - APPRENDIMENTO DELLE CARATTERISTICHE TECNICHE DELLE LAMPAD E COLLEGATE

Dopo aver installato e collegato il dimmer, è necessario fargli apprendere la tipologia alla quale appartengono le lampade collegate. Le due procedure che seguono permettono di memorizzare nel dimmer tutti i parametri tecnici relativi alle lampade collegate, necessari al funzionamento corretto del sistema (valore minimo e massimo di luminosità, curve di illuminazione, etc.). Infatti, ogni tipologia di lampada mostra un suo comportamento specifico a fronte di uno stesso livello di soglia che le viene comandato: ad esempio, comandando un livello di luminosità pari al 10%, una lampada ad incandescenza si accende ma, molto probabilmente, una a Led non si accende.

## 4.1 - Apprendimento della tipologia delle lampade collegate

Il dimmer è impostato in fabbrica per controllare lampade a incandescenza da 1 a 150 Watt. **Per selezionare una diversa tipologia di sorgente luminosa**, procedere nel modo seguente.

**01.** Premere e mantenere premuto il tasto del dimmer: attendere 5 secondi che il Led si accenda e poi si spenga in modo definitivo. Alla fine, rilasciare il tasto.

**02.** Premere e mantenere premuto il tasto del dimmer: attendere 5 secondi che il Led si accenda; attendere altri 5 secondi che il Led si spenga; attendere che il Led esegua 3 lampeggi e rilasciare il tasto.

**03.** Premere e mantenere premuto il tasto del dimmer: attendere 5 secondi che il Led si accenda; attendere altri 5 secondi che il Led si spenga; attendere che il Led esegua 2 lampeggi e rilasciare il tasto.

**04.** Scegliere nell'elenco la tipologia della lampada che si desidera programmare e premere lentamente il pulsante del dimmer lo stesso numero di volte indicato nella tipologia scelta:

- **Lampada a incandescenza da 150W a 250W = 1 pressione sul pulsante.**
- **Lampada a incandescenza da 1W a 150W = 2 pressioni sul pulsante.**
- **Lampada a Led = 3 pressioni sul pulsante.**
- **Lampada fluorescente = 4 pressioni sul pulsante.**

Attendere 10 secondi che il Led esegua un numero di lampeggi uguali all'opzione scelta.

**05.** Premere e mantenere premuto il tasto del dimmer: attendere 5 secondi che il Led si accenda e poi si spenga in modo definitivo. Alla fine, rilasciare il tasto. Per confermare la fine della procedura il Led eseguirà 2 lampeggi.

## 5 - TRASMETTITORI COMPATIBILI E LORO FUNZIONAMENTO

### 5.1 - Trasmettitori compatibili

Il dimmer è dotato di tecnologia NRC a 433,92 Mhz, con codifica *rolling code*; questo lo rende compatibile con i trasmettitori a marchio Nice riportati nella **Tabella B**. Consultare il catalogo dei prodotti Nice oppure il sito [www.niceforyou.com](http://www.niceforyou.com) per approfondire le caratteristiche di questi trasmettitori.

### 5.2 - Funzionamento dei trasmettitori con "slider"

Questi trasmettitori, oltre ad avere i tradizionali tasti per l'invio dei comandi, hanno anche una superficie con tecnologia capacitiva, sensibile al tocco o allo scorrimento delle dita. La superficie si comporta come un cursore ("slider") che consente l'accensione/spengimento delle lampade e/o la regolazione dinamica della loro luminosità.

- **Il tocco breve del dito sulla "superficie-cursore":** invia al dimmer un comando di posizionamento assoluto. Esempio: toccando lo slider al 30% della sua "corsa totale", la luminosità della lampada viene portata al 30%; oppure, toccando lo slider allo 0% della sua "corsa totale", la luminosità della lampada viene portata allo 0%, ecc.
- **Lo scorrimento del dito sulla "superficie-cursore"** (nelle due direzioni): invia al dimmer una progressione di comandi che cerca di regolare la luminosità della lampada in modo dinamico, "inseguendo" la volontà dell'utilizzatore. Lo scorrimento del dito invia comandi di posizionamento relativo; cioè, indipendentemente da dove si parte col dito, la luminosità viene incrementata (o decrementata) fino al rilascio del dito. Questo permette di regolare la luminosità della lampada dal valore minimo (quello riportato nella **Tabella A**) al valore massimo, e non dallo 0% al 100%. Possono essere necessari più scorrimenti del dito sulla "superficie-cursore" per regolare completamente la luminosità della lampada, dal valore minimo a quello massimo.
- Se la luminosità della lampada si trova già nel valore massimo, l'invio di ulteriori comandi per incrementare la luminosità non avrà nessun effetto visivo. Analogamente, se la luminosità della lampada si trova già nel valore minimo, l'invio di ulteriori comandi per diminuire la luminosità non avrà nessun effetto visivo.
- In alcuni modelli della linea "Era P slider" (esempio: P6V, P6SV, ecc.) prima di inviare un comando è necessario selezionare il dimmer al quale si desidera inviare il comando, premendo sul trasmettitore il tasto del canale a cui è stato associato il dimmer durante la procedura di memorizzazione.
- Dopo aver inviato un comando, prima di poterne inviare un altro è necessario attendere lo spegnimento del Led: se questa regola non viene seguita la luminosità della lampada potrebbe comportarsi in modo imprevedibile.
- La pressione prolungata del dito sulla "superficie-cursore" mette il trasmettitore in stand-by. Per riattivarlo premere di nuovo la "superficie-cursore" oppure un altro tasto.

## 6 - IMPORTANTE: LEGGERE PRIMA DI MEMORIZZARE I TRASMETTITORI

### 6.1 - Memorizzazione "standard" e memorizzazione "personalizzata" del trasmettitore

Tutte le procedure disponibili per memorizzare un trasmettitore si dividono in due grandi categorie, alternative tra loro: quelle che lo memorizzano in modo standard, chiamate "**procedure in Modo I**", e quelle che lo memorizzano in modo personalizzato, chiamate "**procedure in Modo II**".

#### 6.1.1 - Le procedure in "MODO I"

L'esecuzione di una procedura appartenente a questa modalità associa automaticamente i tre comandi del dimmer ai primi tre tasti del trasmettitore (ulteriori tasti eventualmente presenti non vengono programmati), rispettando un criterio prestabilito in

TABELLA A	Potenza minima	Potenza massima	Valore % di luminosità minima
Tipologia delle lampade			
Lampade a incandescenza e alogene con potenza elevata, maggiore di 150 Watt	<b>150 Watt</b>	<b>250 Watt</b>	<b>15 %</b>
Lampade a incandescenza e alogene con potenza ridotta, minore di 150 Watt ( <b>impostazione di fabbrica</b> )	<b>1 Watt</b>	<b>150 Watt</b>	<b>20 %</b>
Lampade a Led	<b>0 Watt</b>	<b>100 Watt</b>	<b>15 %</b>
Lampade fluorescenti	<b>0 Watt</b>	<b>100 Watt</b>	<b>30 %</b>

fabbrica (non modificabile dall'installatore). Al termine di una procedura in "Modo I" i tasti del trasmettitore avranno la seguente configurazione:

- tasto ▲ (oppure tasto **1**): risulterà associato alla funzione "**Dimmer Up**".
- tasto ■ (oppure al tasto **2**): risulterà associato alla funzione "**Toogle**".
- tasto ▼ (oppure al tasto **3**): se presente, risulterà associato alla funzione "**Dimmer Down**".
- tasto 4 (e seguenti): se presenti, non avranno funzioni associate.

**Nota** – Se i tasti del vostro trasmettitore sono privi di simboli e numeri, fare riferimento alla **fig. 3** per identificarli.

Durante l'uso del trasmettitore, le funzioni associate ai tasti si comporteranno nel modo seguente:

• **Dimmer Up:**

- con una pressione breve del tasto (minore di un secondo) la luminosità della lampada aumenta di una piccola percentuale, se non si trova già al valore massimo impostato;
- con una pressione prolungata del tasto (maggiore di un secondo) la luminosità della lampada continua ad aumentare fino a raggiungere il valore massimo impostato e/o al rilascio del tasto.

• **Toogle:**

- a ogni pressione del tasto, il dimmer accende (On) o spegne (Off) la sorgente luminosa collegata. Il valore di luminosità associato alla funzione "On" sarà uguale all'ultima soglia di luminosità memorizzata nel dimmer. Il valore viene memorizzato automaticamente dal dimmer ogni volta che la lampada passa da accesa a spenta (in questo caso il valore memorizzato sarà pari alla luminosità della lampada prima dello spegnimento) o, in qualsiasi caso, dopo circa 60 secondi dall'ultima variazione di luminosità (in questo caso viene memorizzato l'ultimo valore di luminosità).

• **Dimmer Down:**

- con una pressione breve del tasto (minore di un secondo) la luminosità della lampada diminuisce di una piccola percentuale, se non si trova già al valore minimo impostato;
- con una pressione prolungata del tasto (maggiore di un secondo) la luminosità della lampada continua a diminuire fino a raggiungere il valore minimo impostato e/o al rilascio del tasto.

### 6.1.2 - Le procedure in "MODO II"

L'esecuzione di una procedura appartenente a questa modalità permette all'installatore di associare liberamente un comando desiderato, scelto tra quelli disponibili nel dimmer, a un tasto desiderato del trasmettitore. Dopo aver eseguito una procedura "Modo II", per associare un altro comando a un altro tasto sarà necessario ripetere di nuovo la procedura. I comandi memorizzabili con una procedura in "Modo II" sono i seguenti:

• **> Dimmer Up > Dimmer Down > Dimmer Up > ecc..... / Toggle:**

- con una pressione prolungata del tasto (maggiore di un secondo) il dimmer aumenta la luminosità della lampada (funzione "Dimmer Up"). Se si rilascia il tasto e poi lo si ripreme con una pressione prolungata, il dimmer diminuisce la luminosità della lampada (funzione "Dimmer Down");
- con una pressione breve del tasto (minore di un secondo) il dimmer accende (On) o spegne (Off) la sorgente luminosa collegata (funzione "Toggle").

• **Dimmer Up:**

questo comando funziona come descritto nel paragrafo "Modo I".

• **Dimmer Down:**

questo comando funziona come descritto nel paragrafo "Modo I".

• **Toogle:**

questo comando funziona come descritto nel paragrafo "Modo I".

• **Livello (...) di luminosità (1 / 2 / 3 / 4):**

ognuno di questi comandi richiama una specifica soglia di luminosità. L'impostazione di fabbrica del valore associato a ogni livello è riportato nella tabella seguente:

---

Livello 1 di luminosità = soglia al 25 %

---

Livello 2 di luminosità = soglia al 50 %

---

Livello 3 di luminosità = soglia al 75 %

---

Livello 4 di luminosità = soglia al 100 %

Il valore della soglia di luminosità associato a ogni livello può essere modificato con le procedure presenti nel capitolo 11. **Attenzione!** – Se il valore impostato è minore del valore della "luminosità minima" (quello impostato con le procedure del capitolo 4) la lampada avrà un comportamento incoerente; ad esempio, inviando

un comando di accensione la lampada non si accende.

**Esempio:** se al dimmer è collegata una lampada a Led (valore della "luminosità minima" di questa tipologia di lampada = 30%, riportato nella Tabella A) e viene inviato il comando "Livello 1 di luminosità", con soglia al 25% (valore di fabbrica), la lampada resta spenta perché il 25% è minore del 30% (valore della luminosità minima per questa tipologia di lampada).

- **Off:**  
questo comando effettua lo spegnimento della lampada.
- **On:**  
questo comando effettua l'accensione della lampada al 100% della sua luminosità.

## 6.2 - Ulteriori avvertenze alle programmazioni

In generale, la programmazione del dimmer può essere fatta con varie tecniche. Alcune di queste consentono di programmare il dimmer "a distanza", senza accedere fisicamente al suo tasto di programmazione.

**A) Programmazione eseguita con un altro trasmettitore già memorizzato nel dimmer.** Le procedure disponibili per questa tecnica sono quelle dei paragrafi **8.1 - 8.2 - 8.3 - 11.1 - 12.1**.

**B) Programmazione eseguita con il tasto di programmazione del dimmer.** Le procedure disponibili per questa tecnica sono quelle dei paragrafi **9.1 - 9.2 - 11.2 - 12.2**.

**C) Programmazione eseguita con un pulsante esterno collegato al dimmer.** Le procedure disponibili per questa tecnica sono quelle dei paragrafi **10.1 - 10.2 - 11.3 - 12.3**.

- Il Led N del dimmer può effettuare quattro tipi di segnalazioni: acceso, spento, lampeggio lungo, lampeggio breve. In particolare i lampeggi hanno la seguente durata:
  - lampeggio lungo: Led acceso per 1,5s e spento per 1,5s.
  - lampeggio breve: Led acceso per 0,5s e spento per 0,5s.
- Durante l'esecuzione di una procedura il Led sul dimmer effettua delle segnalazioni come risposta alle azioni dell'installatore. Nello stesso istante la lampada collegata riproduce le stesse segnalazioni del Led per amplificarne la comunicazione visiva; ciò è utile soprattutto quando, per esigenze di installazione, il Led non è visibile. Tuttavia è necessario considerare che le segnalazioni della lampada possono essere limitate da alcuni fattori: **a)** oltre ai lampeggi il Led cambia anche colore per comunicare, mentre la lampada è monocromatica; **b)** allo spegnimento della lampada il dimmer memorizza l'ultimo valore di luminosità utilizzato. Se questo valore è troppo alto o troppo basso, durante la procedura potrebbe non permettere la

riproduzione di alcune segnalazioni del Led. Quindi, prima di effettuare una procedura, si raccomanda sempre di portare la luminosità della lampada al 50% circa; **c)** una lampada a fluorescenza non garantisce la sequenza corretta dei lampeggi.

- Oltre alle segnalazioni del Led riportate nelle procedure, questo esegue anche altre segnalazioni generiche:
  - **6 lampeggi verdi.** Vengono eseguiti al termine di una procedura di memorizzazione di un trasmettitore per segnalare che la memoria è piena e non è stato possibile memorizzare quel trasmettitore.
  - **2 lampeggi verdi.** Se vengono eseguiti nel momento in cui si alimenta il dimmer segnalano che la sua memoria è vuota (= nessun trasmettitore memorizzato). Se vengono eseguiti al termine di una procedura di memorizzazione di un trasmettitore, segnalano che è attivo il blocco della memoria e non è stato possibile memorizzare quel trasmettitore.
  - **2 lampeggi rossi.** Vengono eseguiti durante una qualsiasi procedura di programmazione per segnalare che è stato commesso un errore.
  - **lampeggi arancioni.** Vengono eseguiti quando si effettua il punto 01 di una procedura per la memorizzazione di un trasmettitore. In quel momento segnalano che quel trasmettitore non è ancora memorizzato e che il sistema è pronto per la memorizzazione.
- Tutte le procedure di programmazioni hanno un *time out*: dal rilascio di un tasto si hanno 30 secondi per premere il tasto successivo previsto nella procedura. Scaduto questo tempo il dimmer uscirà dalla programmazione segnalando l'annullamento della procedura con due lampeggi rossi e con lo spegnimento della sorgente luminosa collegata.
- Alcuni trasmettitori hanno diversi canali di trasmissione (ad esempio, WM004G, WM006G, P6V, P6SV, ecc.), ognuno attivabile tramite un tasto specifico. Durante la memorizzazione di questi trasmettitori, prima di premere i tasti richiesti nella procedura è necessario premere il tasto di un canale per associare il dimmer a quel canale (allo stesso canale possono essere associati anche più dimmer). Successivamente, nell'uso del trasmettitore, prima di inviare un comando sarà necessario selezionare il dimmer al quale è destinato il comando, premendo il tasto del canale che rappresenta quel dimmer.
- Le programmazioni via radio possono avvenire in tutti i dimmer che si trovano nel raggio d'azione del trasmettitore. Quindi, prima di eseguire una qualsiasi procedura di programmazione è necessario togliere l'alimentazione a quei dimmer che non si desidera programmare.
- È possibile memorizzare fino a 30 codici di trasmettitori, siano essi memorizzati in "Modo I" o in "Modo II".
- Per uscire volontariamente da una procedura di programmazione senza completarla, premere contemporaneamente, per 5 secondi, i tasti **■** e **▼** del trasmettitore memorizzato in "Modo I".



## 7 - PROGRAMMAZIONE DEL “PRIMO TRASMETTITORE” in “Modo I”

Questa procedura serve a programmare esclusivamente il “Primo Trasmettitore” e può essere utilizzata soltanto se la memoria del dimmer non ha nessun trasmettitore memorizzato. Questo stato è segnalato all'accensione del dimmer con 2 lampeggi verdi lunghi. Se il dimmer non emette nessun lampeggio vuol dire che ci sono dei trasmettitori memorizzati. In questo caso è necessario cancellare prima i trasmettitori dalla memoria per poter eseguire questa procedura. La memorizzazione avviene in “Modo I”.

01. Togliere l'alimentazione elettrica al dimmer; attendere 2 secondi; dare di nuovo l'alimentazione: il Led del dimmer esegue 2 lunghi lampeggi di colore verde.  
**Attenzione! – Se i lampeggi non vengono eseguiti significa che il primo trasmettitore è già stato memorizzato e che questa procedura non può essere utilizzata.**
02. (*entro 5 secondi*) Premere e mantenere premuto il tasto ■ del trasmettitore per almeno 8 secondi; quindi rilasciarlo nel momento in cui si accende la lampada per confermare la memorizzazione.
03. Come conferma il Led del dimmer esegue 2 brevi lampeggi di colore verde, così pure la lampada collegata.

Se la procedura non è andata a buon fine, la lampada non si accenderà. Quindi ripetere la procedura dall'inizio.

## 8 - PROGRAMMAZIONE DI ULTERIORI TRASMETTITORI TRAMITE UN PRIMO TRASMETTITORE GIÀ MEMORIZZATO

### 8.1 - Programmazione di “ulteriori trasmettitori” in “Modo I” (tramite un altro trasmettitore già memorizzato)

Questa procedura permette di programmare ulteriori trasmettitori utilizzando un trasmettitore già memorizzato in “Modo I”, con la procedura del capitolo 7. La seguente procedura farà una copia esatta, sul nuovo trasmettitore, delle funzionalità presenti nel trasmettitore originale.

01. (*sul nuovo trasmettitore*) Premere e mantenere premuto il tasto ■ per almeno 8 secondi; quindi rilasciarlo (il Led del dimmer esegue un lampeggio di colore rosso).
02. (*sul vecchio trasmettitore*) Premere lentamente 3 volte sul tasto ■, purché questo sia memorizzato.
03. (*sul nuovo trasmettitore*) Per terminare la procedura premere e mantenere pre-

muo il tasto ■ per almeno 5 secondi e poi rilasciarlo. Se la memorizzazione è avvenuta il Led del dimmer esegue 2 brevi lampeggi di colore verde e la lampada collegata si illumina al 50% circa della luminosità. Se la memorizzazione non è avvenuta il Led del dimmer esegue 2 lampeggi di colore arancio. In questo caso spegnere il dispositivo, riaccenderlo, attendere 150 secondi e ripetere la procedura dall'inizio.

### 8.2 - Programmazione di “ulteriori trasmettitori” in “Modo II” (tramite un altro trasmettitore già memorizzato)

Questa procedura permette di programmare ulteriori trasmettitori utilizzando un trasmettitore già memorizzato in “Modo I”, con la procedura del capitolo 7. La procedura memorizza il nuovo trasmettitore in “Modo II”.

Prima di iniziare la procedura accendere la lampada, regolarla alla luminosità minima e spegnerla.

01. (*sul vecchio trasmettitore*) Premere e mantenere premuto il tasto ■; attendere (5 secondi circa) che la lampada collegata si accenda al massimo della luminosità. Alla fine rilasciare il tasto. Il Led del dimmer esegue 1 breve lampeggio di colore verde.
02. (*sul vecchio trasmettitore*) Premere e mantenere premuto il tasto ■; attendere (5 secondi circa) che la luminosità della lampada scenda a circa il 10%. Alla fine rilasciare il tasto. Il Led del dimmer esegue 2 brevi lampeggi di colore verde.
03. (*sul vecchio trasmettitore*) Scegliere nell'elenco successivo il comando che si desidera programmare e premere lentamente il tasto ■ lo stesso numero di volte indicato nel comando scelto:
  - “Dimmer Up > Dimmer Down > Dimmer Up > ecc.....” / “Toggle” (= 1 pressione sul tasto ■)
  - “Dimmer Up” (= 2 pressioni sul tasto ■)
  - “Dimmer Down” (= 3 pressioni sul tasto ■)
  - “Toggle” (= 4 pressioni sul tasto ■)
  - “Livello 1” (= 5 pressioni sul tasto ■)
  - “Livello 2” (= 6 pressioni sul tasto ■)
  - “Livello 3” (= 7 pressioni sul tasto ■)
  - “Livello 4” (= 8 pressioni sul tasto ■)
  - “Off” (= 9 pressioni sul tasto ■)
  - “On” (= 10 pressioni sul tasto ■)

Attendere 10 secondi che la lampada si spenga completamente; infine il Led esegue un numero di brevi lampeggi di colore verde, uguale al numero di pressioni esercitate sul tasto ■, e relative al comando scelto. **Attenzione! – è molto importante attendere che la lampada si spenga completamente prima di trasmettere un comando qualsiasi con il nuovo trasmettitore; se la trasmissione avviene prima, il trasmettitore non verrà memorizzato.**



04. (sul nuovo trasmettitore) Premere e mantenere premuto il tasto che si desidera programmare; attendere (5 secondi circa) l'accensione della lampada. Se l'operazione va a buon fine, il Led del dimmer esegue 3 brevi lampeggi di colore verde e la lampada si accende. Se la lampada non si accende, ripetere la procedura dall'inizio.

Se si desidera memorizzare un altro tasto dello stesso trasmettitore, o di un altro trasmettitore, ripetere la procedura dall'inizio.

### 8.3 - Cancellazione della memoria (tramite un altro trasmettitore già memorizzato)

Tramite un trasmettitore memorizzato in "Modo I" è possibile eseguire una cancellazione totale o parziale della memoria del dimmer.

Prima di iniziare la procedura accendere la lampada, regolarla alla luminosità minima e spegnerla.

01. Premere e mantenere premuto il tasto ■ del trasmettitore; attendere (5 secondi circa) che la lampada collegata si accenda al 100% della luminosità. Alla fine rilasciare il tasto. Il Led del dimmer esegue 1 breve lampeggio di colore verde.
02. Premere e mantenere premuto il tasto ▼ del trasmettitore; attendere (5 secondi circa) che la lampada collegata si accenda al 10% della luminosità. Alla fine rilasciare il tasto. Il Led del dimmer esegue 2 brevi lampeggi di colore verde.
03. Premere e mantenere premuto il tasto ▲ del trasmettitore; attendere (5 secondi circa) che la lampada collegata si accenda al 50% della luminosità. Alla fine rilasciare il tasto. Il Led del dimmer esegue 3 brevi lampeggi di colore verde.
04. Premere e mantenere premuto il tasto ■ del trasmettitore; attendere (5 secondi circa) che la lampada collegata si accenda al 10% della luminosità. Alla fine rilasciare il tasto. Il Led del dimmer esegue 4 brevi lampeggi di colore verde.
05. Scegliere nell'elenco ciò che si desidera cancellare; quindi premere e mantenere premuto il tasto del trasmettitore indicato nell'opzione scelta:
- **cancellare solo i trasmettitori** (= mantenere premuto il tasto ▲);
  - **cancellare solo i parametri** (= mantenere premuto il tasto ■);
  - **cancellare tutti i trasmettitori ed i parametri** (= mantenere premuto il tasto ▼).
- Attendere (5 secondi circa) che la lampada collegata si spenga completamente. Alla fine rilasciare il tasto. Il Led del dimmer esegue 2 brevi lampeggi di colore verde e la lampada collegata si spegne. Se la lampada rimane accesa e il Led del dimmer esegue 2 brevi lampeggi di colore rosso, ripetere la procedura dall'inizio.

## 9 - PROGRAMMAZIONE DEI TRASMETTITORI TRAMITE IL PULSANTE SUL DIMMER

### 9.1 - Programmazione di un trasmettitore in "Modo II" (tramite il pulsante sul dimmer)

Questa procedura permette di associare un trasmettitore al dimmer, in "Modo II". Per questa procedura non è necessario avere a disposizione un secondo trasmettitore memorizzato in "Modo I".

Prima di iniziare la procedura accendere la lampada, regolarla alla luminosità minima e spegnerla.

01. (sul dimmer) Premere e mantenere premuto il pulsante; attendere che il Led verde si accenda e si spenga completamente; alla fine rilasciare il pulsante.
02. (sul dimmer) Premere e mantenere premuto il pulsante; attendere che il Led verde si accenda e si spenga completamente; alla fine rilasciare il pulsante.
03. (sul dimmer) Premere e mantenere premuto il pulsante; attendere che il Led verde si accenda, si spenga e poi esegua 5 lampeggi di colore verde; quindi, rilasciare il pulsante.
04. Scegliere nell'elenco la funzione che si desidera programmare e premere lentamente il pulsante del dimmer lo stesso numero di volte indicato nella funzione scelta:
- **"Dimmer Up > Dimmer Down > Dimmer Up > ecc....." / "Toggle"** (= 1 pressione sul pulsante del dimmer)
  - **"Dimmer Up"** (= 2 pressioni sul pulsante del dimmer)
  - **"Dimmer Down"** (= 3 pressioni sul pulsante del dimmer)
  - **"Toggle"** (= 4 pressioni sul pulsante del dimmer)
  - **"Livello 1"** (= 5 pressioni sul pulsante del dimmer)
  - **"Livello 2"** (= 6 pressioni sul pulsante del dimmer)
  - **"Livello 3"** (= 7 pressioni sul pulsante del dimmer)
  - **"Livello 4"** (= 8 pressioni sul pulsante del dimmer)
  - **"Off"** (= 9 pressioni sul pulsante del dimmer)
  - **"On"** (= 10 pressioni sul pulsante del dimmer)
- Attendere che il Led esegua un numero di brevi lampeggi di colore verde, uguale al numero di pressioni effettuate sul pulsante del dimmer, e relative alla funzione scelta.
05. (sul trasmettitore) Premere e mantenere premuto il tasto che si desidera programmare; attendere (5 secondi circa) che il Led esegua 3 brevi lampeggi di colore verde e che la lampada collegata si accenda al 50% della sua luminosità. Alla fine rilasciare il tasto.

Se si desidera memorizzare un altro tasto dello stesso trasmettitore, o quello di un altro trasmettitore, ripetere la procedura dall'inizio.

## 9.2 - Cancellazione della memoria (tramite il pulsante sul dimmer)

Tramite il pulsante sul dimmer è possibile eseguire una cancellazione totale o parziale della memoria del dimmer.

- 01.** Premere e mantenere premuto il pulsante del dimmer; attendere che il Led di colore verde si accenda e si spenga completamente; alla fine rilasciare il pulsante.
- 02.** Premere e mantenere premuto il pulsante del dimmer; attendere che il Led di colore verde si accenda, si spenga e poi esegua 2 lampeggi di colore verde; alla fine rilasciare il pulsante.
- 03.** Premere e mantenere premuto il pulsante del dimmer; attendere che il Led di colore verde si accenda, si spenga e poi esegua 5 lampeggi di colore verde; alla fine rilasciare il pulsante.
- 04.** Scegliere nell'elenco ciò che si desidera cancellare; quindi premere lentamente il pulsante del dimmer lo stesso numero di volte indicato nell'opzione scelta:
  - **cancellare solo i trasmettitori** (= 1 pressione sul pulsante);
  - **cancellare solo i parametri** (= 2 pressioni sul pulsante);
  - **cancellare tutti i trasmettitori ed i parametri** (= 3 pressioni sul pulsante).Attendere 10 secondi che il Led di colore verde esegua un numero di lampeggi uguale al numero di pressioni esercitate sul pulsante, e relative a ciò che si è scelto di cancellare.
- 05.** Premere e mantenere premuto il pulsante del dimmer; attendere che il Led di colore verde si accenda e si spenga e poi rilasciare il pulsante: il Led esegue 2 brevi lampeggi di colore per confermare la cancellazione.

## 10 - PROGRAMMAZIONE DEI TRASMETTITORI TRAMITE UN PULSANTE ESTERNO

È possibile collegare al dispositivo un pulsante esterno per comandare l'accensione, lo spegnimento e la dimmerizzazione della lampada. Lo stesso pulsante può essere usato anche come tasto di programmazione. Durante l'esecuzione delle procedure i lampeggi del Led vengono replicati dalla lampada collegata. Ciò consente di non dover controllare per forza il comportamento del Led sul dimmer. **Importante** – nel caso in cui venga usata una lampada fluorescente o una lampada a Led non è garantito il corretto lampeggio di queste rispetto alle segnalazioni del Led sul dimmer. Questo dipende fortemente dalla tecnologia utilizzata in queste lampade che può variare anche parecchio in base alla marca e al modello.

### 10.1 - Programmazione di un trasmettitore in "Modo II" (tramite un pulsante esterno)

Questa procedura permette di associare un trasmettitore al dispositivo in "Modo II".

Prima di iniziare la procedura accendere la lampada, regolarla alla luminosità minima e spegnerla.

- 01.** Togliere l'alimentazione elettrica al dimmer; premere e mantenere premuto il pulsante esterno; quindi dare di nuovo alimentazione al dimmer. Attendere che si accenda il Led di colore verde e che la lampada collegata si accenda alla soglia minima di illuminazione; quindi, rilasciare il pulsante esterno. **02.** Premere e mantenere premuto il pulsante esterno; attendere l'accensione fissa del Led di colore verde e l'aumento dell'intensità luminosa della lampada collegata; quindi attendere lo spegnimento del Led e la diminuzione dell'intensità luminosa della lampada; infine, rilasciare il pulsante esterno.
- 03.** Premere e mantenere premuto il pulsante esterno; attendere l'accensione fissa del Led di colore verde e l'aumento dell'intensità luminosa della lampada collegata; quindi attendere lo spegnimento del Led e la diminuzione dell'intensità luminosa della lampada; infine, rilasciare il pulsante esterno.
- 04.** Premere e mantenere premuto il pulsante esterno; attendere l'accensione del Led di colore verde e poi il suo spegnimento; attendere l'aumento dell'intensità luminosa della lampada e poi la sua diminuzione; quindi attendere che il Led e la lampada eseguano 2 brevi lampeggi e poi rilasciare il pulsante esterno.
- 05.** Scegliere nell'elenco la funzione che si desidera programmare e premere lentamente il pulsante esterno lo stesso numero di volte indicato nella funzione scelta:
  - **"Dimmer Up > Dimmer Down > Dimmer Up > ecc....."** / **"Toggle"** (= 1 pressione sul pulsante esterno)
  - **"Dimmer Up"** (= 2 pressioni sul pulsante esterno)
  - **"Dimmer Down"** (= 3 pressioni sul pulsante esterno)
  - **"Toggle"** (= 4 pressioni sul pulsante esterno)
  - **"Livello 1"** (= 5 pressioni sul pulsante esterno)
  - **"Livello 2"** (= 6 pressioni sul pulsante esterno)
  - **"Livello 3"** (= 7 pressioni sul pulsante esterno)
  - **"Livello 4"** (= 8 pressioni sul pulsante esterno)
  - **"Off"** (= 9 pressioni sul pulsante esterno)
  - **"On"** (= 10 pressioni sul pulsante esterno)Attendere che il Led di colore verde e la lampada eseguano un numero di lampeggi uguale al numero di pressioni esercitate sul pulsante, e relative alla funzione scelta. Quindi, attendere lo spegnimento della lampada.
- 06.** Premere e mantenere premuto il tasto desiderato del trasmettitore da programmare; rilasciare il tasto al termine del primo lampeggio del Led, in colore verde (poi seguono altri 2 lampeggi); la lampada collegata si accende al 50% della sua luminosità.

Se si desidera memorizzare un altro tasto dello stesso trasmettitore, o quello di un altro trasmettitore, ripetere la procedura dall'inizio.

## 10.2 - Cancellazione della memoria (tramite un pulsante esterno)

Tramite un pulsante esterno è possibile eseguire una cancellazione totale o parziale della memoria del dimmer.

---

Prima di iniziare la procedura accendere la lampada, regolarla alla luminosità minima e spegnerla.

01. Togliere l'alimentazione elettrica al dimmer.
02. Premere e mantenere premuto il pulsante esterno; quindi dare di nuovo l'alimentazione al dimmer e attendere che il Led di colore verde si accenda e la lampada si porti alla soglia minima della luminosità. Infine, rilasciare il pulsante.
03. Premere e mantenere premuto il pulsante esterno; attendere che il Led si accenda con luce verde fissa e che la lampada aumenti l'intensità luminosa; attendere che il Led si spenga e la lampada diminuisca l'intensità luminosa. Infine, rilasciare il pulsante.
04. Premere e mantenere premuto il pulsante esterno; attendere che il Led si accenda con luce verde fissa e che la lampada aumenti l'intensità luminosa e poi la riduca; attendere che il Led e la lampada eseguano 2 lampeggi. Infine, rilasciare il pulsante.
05. Premere e mantenere premuto il pulsante esterno; attendere che il Led si accenda con luce verde fissa e che si spenga; attendere che la lampada aumenti l'intensità luminosa e poi la riduca; attendere che il Led esegua 5 lampeggi di colore verde. Infine, rilasciare il pulsante.
06. Scegliere nell'elenco ciò che si desidera cancellare e premere lentamente il pulsante esterno lo stesso numero di volte indicato nell'opzione scelta:
  - **cancellare solo i trasmettitori** (= 1 pressione sul pulsante esterno);
  - **cancellare solo i parametri** (= 2 pressioni sul pulsante esterno);
  - **cancellare tutti i trasmettitori ed i parametri** (= 3 pressioni sul pulsante esterno).Attendere 10 secondi che il Led di colore verde esegua un numero di lampeggi uguale al numero di pressioni esercitate sul pulsante esterno, e relative a ciò che si è scelto di cancellare.
07. Premere e mantenere premuto il pulsante esterno; attendere che il Led si accenda con luce verde fissa e che si spenga; quindi, rilasciare il pulsante e attendere che il Led esegua 2 lampeggi di colore verde.  
Come conferma il Led esegue 2 lampeggi brevi di colore verde e la lampada collegata esegue 2 lampeggi brevi. Alla fine la lampada resta spenta.

## 11 - PROGRAMMAZIONE DEI LIVELLI DI LUMINOSITÀ

Nel dimmer possono essere programmati 4 livelli di luminosità. La configurazione di fabbrica prevede i seguenti valori di luminosità per ogni livello:

Livello 1 = (25% di intensità luminosa)

Livello 2 = (50% di intensità luminosa)

Livello 3 = (75% di intensità luminosa)

Livello 4 = (100% di intensità luminosa)

Questi livelli possono essere richiamati soltanto se ognuno viene memorizzato nel tasto di un trasmettitore con una procedura in "Modo II". **Attenzione!** – Un trasmettitore memorizzato in "Modo I" non è in grado di richiamare un livello di luminosità preimpostato. I valori dei 4 livelli possono essere ridefiniti utilizzando una delle tre procedure che seguono.

### 11.1 - Impostazione di un nuovo valore di luminosità e memorizzazione dello stesso in "Modo II" (tramite un altro trasmettitore già memorizzato)

Questa procedura può essere eseguita soltanto con un trasmettitore già memorizzato in "Modo I". La procedura reimposta il valore di luminosità di un singolo livello; per reimpostare il valore di un altro livello, ripetere la procedura dall'inizio.

---

Prima di iniziare la procedura accendere la lampada, regolarla alla luminosità minima e spegnerla.

01. Premere e mantenere premuto il tasto ■; attendere (5 secondi circa) che la lampada collegata al dimmer si accenda al massimo della luminosità e/o il Led sul dimmer esegua 1 breve lampeggio di colore verde. Alla fine rilasciare il tasto.
02. Premere e mantenere premuto il tasto ▲; attendere (5 secondi circa) che la luminosità della lampada scenda al 10% e/o il Led sul dimmer esegua 2 brevi lampeggi di colore verde. Alla fine rilasciare il tasto.
03. Utilizzare i tasti ▲ e ▼ per regolare la luminosità della lampada al valore desiderato. Quindi attendere (10 secondi circa) che la lampada si spenga.
04. Scegliere nell'elenco il livello al quale si desidera assegnare il nuovo valore di luminosità e compiere l'azione collegata a questo livello:
  - **Livello 1** (= premere e mantenere premuto il pulsante ▲; attendere che il Led esegua 3 lampeggi di colore verde; alla fine rilasciare il tasto).
  - **Livello 2** (= premere e mantenere premuto il pulsante ■; attendere che il Led esegua 3 lampeggi di colore verde; alla fine rilasciare il tasto).
  - **Livello 3** (= premere e mantenere premuto il pulsante ▼; attendere che il Led esegua 3 lampeggi di colore verde; alla fine rilasciare il tasto).
  - **Livello 4:** (= premere e mantenere premuti contemporaneamente i tasti ▲

e ▼; attendere che il Led esegua 3 lampeggi di colore verde; alla fine rilasciare i tasti).

## 11.2 - Impostazione di un nuovo valore di luminosità e memorizzazione dello stesso in “Modo II” (tramite il pulsante sul dimmer)

Prima di iniziare la procedura accendere la lampada, regolarla alla luminosità minima e spegnerla.

01. Premere e mantenere premuto il pulsante del dimmer; attendere che il Led si accenda con luce verde e si spenga completamente; alla fine rilasciare il pulsante.
  02. Premere e mantenere premuto il pulsante del dimmer; attendere che il Led si accenda con luce verde e si spenga completamente; alla fine rilasciare il pulsante.
  03. Premere e mantenere premuto il pulsante del dimmer; attendere che il Led si accenda con luce verde, che si spenga e che infine esegua 2 lampeggi di colore verde; alla fine, rilasciare il pulsante.
  04. Regolare la luminosità della lampada al valore desiderato utilizzando il pulsante del dimmer nel modo seguente:
    - **prima pressione prolungata sul pulsante:** fa aumentare la luminosità fino al rilascio del pulsante.
    - **seconda pressione prolungata sul pulsante:** fa diminuire la luminosità fino al rilascio del pulsante.
- Attenzione!** – La pressione breve del pulsante fa attivare la funzione di “Toggle” (On/Off).  
Dopo aver raggiunto l'intensità di luce desiderata attendere (10 secondi circa) che il Led esegua 2 lampeggi con luce verde.
05. Scegliere nell'elenco il livello al quale si desidera assegnare il nuovo valore di luminosità e premere lentamente il pulsante del dimmer lo stesso numero di volte indicato nel livello scelto:
    - **Livello 1** (= 1 pressione sul pulsante del dimmer);
    - **Livello 2** (= 2 pressioni sul pulsante del dimmer);
    - **Livello 3** (= 3 pressioni sul pulsante del dimmer);
    - **Livello 4** (= 4 pressioni sul pulsante del dimmer).

Attendere 10 secondi che il Led di colore verde esegua un numero di lampeggi uguale al numero di pressioni esercitate sul pulsante del dimmer, e relative al livello scelto.

06. Premere e mantenere premuto il pulsante del dimmer; attendere che il Led si accenda con luce verde fissa e poi si spenga completamente; alla fine rilasciare il pulsante. Per confermare la memorizzazione avvenuta, il Led esegue 2 brevi lampeggi di color verde e la lampada collegata resta accesa al valore minimo della luminosità.

## 11.3 - Impostazione di un nuovo valore di luminosità e memorizzazione dello stesso in “Modo II” (tramite un pulsante esterno)

Prima di iniziare la procedura accendere la lampada, regolarla alla luminosità minima e spegnerla.

01. Togliere l'alimentazione elettrica al dimmer; premere e mantenere premuto il pulsante esterno; quindi dare di nuovo alimentazione al dimmer. Attendere che si accenda il Led in colore verde e che la lampada collegata si accenda alla soglia minima della luminosità. Infine, rilasciare il pulsante esterno.
  02. Premere e mantenere premuto il pulsante esterno; attendere l'accensione fissa del Led in colore verde e l'aumento dell'intensità luminosa della lampada collegata; quindi attendere lo spegnimento del Led e la diminuzione dell'intensità luminosa della lampada. Infine, rilasciare il pulsante esterno.
  03. Premere e mantenere premuto il pulsante esterno; attendere l'accensione fissa del Led in colore verde e l'aumento dell'intensità luminosa della lampada collegata; quindi attendere lo spegnimento del Led e la diminuzione dell'intensità luminosa della lampada. Infine, rilasciare il pulsante esterno.
  04. Premere e mantenere premuto il pulsante esterno; attendere l'accensione del Led in colore verde e il suo spegnimento; attendere l'aumento dell'intensità luminosa della lampada e la sua diminuzione; attendere che il Led (in colore verde) e la lampada eseguano 2 brevi lampeggi. Infine, rilasciare il pulsante esterno.
  05. Regolare la luminosità della lampada al valore desiderato utilizzando il pulsante esterno nel modo seguente:
    - **prima pressione prolungata sul pulsante:** fa aumentare la luminosità fino al rilascio del pulsante.
    - **seconda pressione prolungata sul pulsante:** fa diminuire la luminosità fino al rilascio del pulsante.
- Attenzione!** – La pressione breve del pulsante fa attivare la funzione di “Toggle” (On/Off).  
Dopo aver raggiunto l'intensità di luce desiderata attendere (10 secondi circa) che il Led (in colore verde) e la lampada eseguano 2 lampeggi.
06. Scegliere nell'elenco il livello al quale si desidera assegnare il nuovo valore di luminosità e premere lentamente il pulsante esterno lo stesso numero di volte indicato nel livello scelto:
    - **Livello 1** (= 1 pressione sul pulsante esterno);
    - **Livello 2** (= 2 pressioni sul pulsante esterno);
    - **Livello 3** (= 3 pressioni sul pulsante esterno);
    - **Livello 4** (= 4 pressioni sul pulsante esterno).

Attendere circa 10 secondi che il Led in colore verde e la lampada collegata eseguano un numero di lampeggi uguale al numero di pressioni esercitate sul pulsante esterno, e relative al livello scelto.

07. Premere e mantenere premuto il pulsante esterno; attendere che il Led (in colore verde) e la lampada collegata si accendano con luce fissa e poi si spengano completamente; alla fine rilasciare il pulsante esterno.

Per confermare la memorizzazione avvenuta, il Led esegue 2 brevi lampeggi in colore verde e la lampada collegata resta accesa al valore minimo della luminosità.

## 12 - BLOCCO E SBLOCCO DELLA MEMORIA

Come detto nel capitolo 8, è possibile memorizzare nuovi trasmettitori sfruttando un trasmettitore già memorizzato nel dimmer. Nel momento in cui avviene questo tipo di programmazione se un altro trasmettitore Nice con codifica *rolling code* si trova a trasmettere il suo segnale nelle vicinanze del dimmer, potrebbe esserci il rischio che questo trasmettitore venga memorizzato nello stesso dimmer. Per evitare questo problema è possibile bloccare la memoria del dimmer con una delle seguenti procedure.

### 12.1 - Blocco/sblocco della memoria (tramite un trasmettitore già memorizzato)

Questa procedura può essere eseguita esclusivamente con un trasmettitore memorizzato in "Modo I".

---

Prima di iniziare la procedura accendere la lampada, regolarla alla luminosità minima e spegnerla.

01. Premere e mantenere premuto il tasto ■ del trasmettitore; attendere che il Led del dimmer esegua 1 lampeggio di colore verde e che la lampada collegata si accenda al massimo della sua luminosità. Alla fine rilasciare il tasto.
02. Premere e mantenere premuto il tasto ▼ del trasmettitore; attendere che il Led del dimmer esegua 2 brevi lampeggi di colore verde e che la luminosità della lampada collegata scenda a circa il 10%. Alla fine rilasciare il tasto.
03. Premere e mantenere premuto il tasto ▲ del trasmettitore; attendere che il Led del dimmer esegua 3 brevi lampeggi di colore verde e che la luminosità della lampada collegata arrivi al 50%. Alla fine rilasciare il tasto.
04. Premere e mantenere premuto il tasto ▲ del trasmettitore; attendere che il Led del dimmer esegua 4 brevi lampeggi di colore verde e che la luminosità della lampada collegata scenda a circa il 10%. Alla fine rilasciare il tasto.
05. Scegliere nell'elenco l'opzione desiderata:
- per bloccare la memoria (= usare il tasto ▲);
  - per sbloccare la memoria (= usare il tasto ■).

Quindi premere e mantenere premuto il tasto del trasmettitore indicato nell'opzione scelta; attendere che il Led esegua 2 lampeggi di colore verde e poi si spenga. Alla fine rilasciare il tasto.

---

### 12.2 - Blocco/sblocco della memoria (tramite il pulsante sul dimmer)

01. Premere e mantenere premuto il pulsante del dimmer; attendere che il Led si accenda con luce verde e poi si spenga completamente; alla fine rilasciare il pulsante.
02. Premere e mantenere premuto il pulsante del dimmer; attendere che il Led si accenda con luce verde, che si spenga e che esegua 2 lampeggi di colore verde; quindi, rilasciare il pulsante.
03. Premere e mantenere premuto il pulsante del dimmer; attendere che il Led si accenda con luce verde, che si spenga e che esegua 2 lampeggi di colore verde; quindi, rilasciare il pulsante.
04. Scegliere nell'elenco l'opzione desiderata; quindi premere lentamente il pulsante del dimmer lo stesso numero di volte indicato nell'opzione scelta:
- per bloccare la memoria (= 1 pressione sul pulsante);
  - per sbloccare la memoria (= 2 pressioni sul pulsante).
- Attendere 10 secondi che il Led esegua un numero di lampeggi in colore verde, uguale al numero di pressioni esercitate sul pulsante, e relative all'opzione scelta.
05. Premere e mantenere premuto il pulsante del dimmer; attendere che il Led si accenda con luce verde e che si spenga; infine rilasciare il pulsante: il Led esegue 2 brevi lampeggi in colore verde per confermare la cancellazione.

### 12.3 - Blocco/sblocco della memoria (tramite un pulsante esterno)

---

Prima di iniziare la procedura accendere la lampada, regolarla alla luminosità minima e spegnerla.

01. Togliere l'alimentazione elettrica al dimmer; premere e mantenere premuto il pulsante esterno; quindi dare di nuovo alimentazione al dimmer. Attendere che si accenda il Led in colore verde e che la lampada collegata si accenda alla soglia minima della luminosità. Infine, rilasciare il pulsante esterno.
02. Premere e mantenere premuto il pulsante esterno: il Led si accende in colore verde e poi si spegne; la lampada collegata aumenta l'intensità luminosa e poi la diminuisce; quindi il Led in colore verde e la lampada eseguono 2 lampeggi. Alla fine, rilasciare il pulsante esterno.
03. Premere e mantenere premuto il pulsante esterno: il Led si accende in colore verde e poi si spegne; la lampada collegata aumenta l'intensità luminosa e poi la diminuisce; quindi il Led in colore verde e la lampada eseguono 2 lampeggi. Alla fine, rilasciare il pulsante esterno.
04. Premere il pulsante esterno lo stesso numero di volte indicato nella funzione che si vuole selezionare:
- per bloccare la memoria (= 1 pressione sul pulsante);

- **per sbloccare la memoria** (= 2 pressioni sul pulsante).

Dopo 10 secondi dall'ultima pressione il Led verde e la lampada eseguiranno un numero di lampeggi pari alla funzione scelta.

- 05.** Premere e mantenere premuto il pulsante esterno. Il Led verde si accende e la lampada collegata aumenta l'intensità luminosa; rilasciare il pulsante appena il Led si spegne e la lampada diminuisce di luminosità. Come conferma del completamento della procedura il Led (in colore verde) e la lampada eseguono 2 lampeggi.

## 13 - CARATTERISTICHE TECNICHE

• **Alimentazione:** 230Vac,  $\pm 10\%$  50Hz • **Absorbimento massimo:** < 500mW in standby, escluso assorbimento del carico controllato • **Potenza massima carico:** 250W / 200VA • **Valore di dissipazione:** 2,5W/A (stimato) • **Tipo di lampada (tutte con l'alimentazione in ingresso di 230 Vac  $\pm 10\%$ , 50Hz):** lampade ad incandescenza e alogene; lampade a Led; lampade a neon • **Grado IP:** 20 • **Dimensioni:** 47 x 18 x 32 mm • **Peso:** 30 g

## 14 - SMALTIMENTO DEL PRODOTTO

• Come per le operazioni d'installazione, anche al termine della vita di questo prodotto, le operazioni di smantellamento devono essere eseguite da personale qualificato.

• Questo prodotto è costituito da vari tipi di materiali: alcuni possono essere riciclati, altri devono essere smaltiti. Informatevi sui sistemi di riciclaggio o smaltimento previsti dai regolamenti vigenti sul vostro territorio, per questa categoria di prodotto.

**Attenzione!** – alcune parti del prodotto possono contenere sostanze inquinanti o pericolose che, se disperse nell'ambiente, potrebbero provocare effetti dannosi sull'ambiente stesso e sulla salute umana. Come indicato dal simbolo a lato, è vietato gettare questo prodotto nei rifiuti domestici. Eseguire quindi la "raccolta separata" per lo smaltimento, secondo i metodi previsti dai regolamenti vigenti sul vostro territorio, oppure riconsegnare il prodotto al venditore nel momento dell'acquisto di un nuovo prodotto equivalente.

**Attenzione!** – i regolamenti vigenti a livello locale possono prevedere pesanti sanzioni in caso di smaltimento abusivo di questo prodotto. • Il materiale dell'imballo del prodotto deve essere smaltito nel pieno rispetto della normativa locale.



## DICHIARAZIONE CE DI CONFORMITÀ

Dichiarazione in accordo alla Direttiva 1999/5/CE

**Nota** – Il contenuto di questa dichiarazione corrisponde a quanto dichiarato nel documento ufficiale depositato presso la sede di Nice S.p.a., e in particolare, alla sua ultima revisione disponibile prima della stampa di questo manuale. Il testo qui presente è stato riadattato per motivi editoriali. Copia della dichiarazione originale può essere richiesta a Nice S.p.a. (TV) I.

Numero dichiarazione: **480/TTDMS** Revisione: **0** Lingua: **IT**

Il sottoscritto Luigi Paro, in qualità di Amministratore Delegato, dichiara sotto la propria responsabilità che il prodotto: • **Nome produttore:** NICE S.p.A. • **Indirizzo:** Via Pezza Alta n°13, 31046 Rustignè di Oderzo (TV) Italy • **Tipo di prodotto:** Dimmer per gestione luci fino a 250W / 200VA • **Modello / Tipo:** TTDMS • **Accessori:** nessuno

Risulta conforme ai requisiti essenziali richiesti dall'articolo 3 della seguente direttiva comunitaria, per l'uso al quale i prodotti sono destinati:

- Direttiva 1999/5/CE DEL PARLAMENTO EUROPEO E DEL CONSIGLIO del 9 marzo 1999 riguardante le apparecchiature radio e le apparecchiature terminali di comunicazione e il reciproco riconoscimento della loro conformità, secondo le seguenti norme armonizzate:
  - Protezione della salute (art. 3(1)(a)): EN 62479:2010
  - Sicurezza elettrica (art. 3(1)(a)): EN 60950-1:2006 + A1:2010 + A12:2011
  - Compatibilità elettromagnetica (art. 3(1)(b)): EN 301 489-1 V1.9.1:2011; EN 301 489-3 V1.4.1:2002
  - Spettro radio (art. 3(2)): EN 300 220-2 V2.4.1:2012

Inoltre il prodotto risulta conforma a quanto previsto dalle seguenti direttive comunitarie:

- Direttiva 2006/95/CE DEL PARLAMENTO EUROPEO E DEL CONSIGLIO del 12 dicembre 2006 concernente il ravvicinamento delle legislazioni degli Stati membri relative al materiale elettrico destinato ad essere adoperato entro taluni limiti di tensione, secondo le seguenti norme armonizzate: EN 60669-2-1:2004 + A1:2009 + A12:2010
- DIRETTIVA 2004/108/CE DEL PARLAMENTO EUROPEO E DEL CONSIGLIO del 15 dicembre 2004 concernente il ravvicinamento delle legislazioni degli Stati membri relative alla compatibilità elettromagnetica e che abroga la direttiva 89/336/CEE, secondo le seguenti norme armonizzate: EN 55015:2006 + A1:2007 + A2:2009; EN 61547:2009, EN 61000-3-2:2006 + A1:2009 + A2:2009; EN 61000-3-3:2008

Oderzo, 3 giugno 2013

Ing. **Luigi Paro** (Amministratore Delegato)

## 1 - AVERTISSEMENTS ET PRECAUTIONS GENERALES

• L'installation doit être effectuée par un technicien qualifié dans le respect le plus total des lois en vigueur ainsi que des normes électriques et de sécurité applicables. Pour garantir la sécurité, les présentes consignes doivent être respectées et conservées en vue d'une consultation future. • Le présent manuel contient des clauses importantes pour la sécurité de l'installation. Les installations inadéquates peuvent être synonymes de danger. • Une lecture partielle des consignes ne permettra pas à l'utilisateur d'exploiter au mieux les caractéristiques du produit. • Remplacer le plus rapidement possible les lampes endommagées. • Ne jamais installer le variateur à proximité d'objets émettant de la chaleur : si au moins deux variateurs doivent être installés dans le même tableau électrique, laisser un écart au moins identique à l'espace occupé par un module. La dissipation de la chaleur par le variateur est proportionnelle à la puissance de la charge contrôlée. • Ne jamais installer d'interrupteur/sectionneur entre le variateur et la charge concernée : la lampe doit être reliée directement au variateur.

## 2 - DESCRIPTION DU PRODUIT ET APPLICATION

**TTDMS** est un variateur permettant d'allumer, éteindre et régler l'intensité lumineuse des lampes de différents types (incandescence, fluorescence, LED, etc.) alimentée par le réseau. **Toute autre utilisation doit être considérée comme impropre et interdite !** Le variateur dispose d'un récepteur radio qui fonctionne à une fréquence de 433.92 MHz avec un code tournant. Tout au plus, 30 émetteurs peuvent être associés à un variateur (pour connaître les modèles compatibles, voir chapitre 5). Chaque émetteur peut être associé au « Mode I » ou au « Mode II » selon le comportement souhaité (v. chapitre 6). Vous pouvez relier au variateur un bouton externe qui permettra d'allumer ou éteindre la lampe, voire en régler l'intensité. La programmation du variateur est réalisée à l'aide d'un émetteur radio en « Mode I » et avec le bouton du variateur (ou un bouton externe). Les procédures de programmation sont définies à l'aide des clignotements émis par le témoin du variateur.

## 3 - RACCORDEMENTS ÉLECTRIQUES

### 3.1 - Avertissements !

- L'installation du variateur et des lampes, ainsi que les raccordements, doivent être réalisés exclusivement par un technicien qualifié dans le total respect des consignes, des normes et des lois en vigueur dans la région.
- **Le variateur est soumis à une tension électrique dangereuse. L'ouverture**

**du boîtier et les raccordements doivent être réalisés hors tension.**

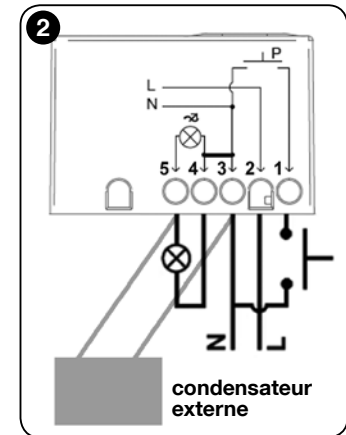
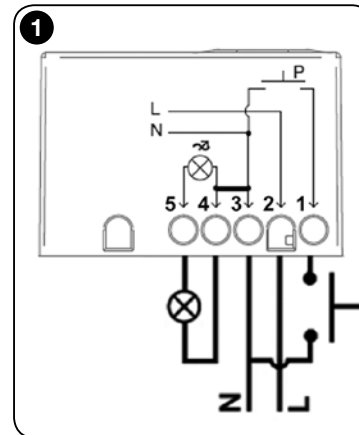
- **Ne jamais couper le câble de l'antenne : il est soumis à une tension électrique dangereuse.**
- L'installation du variateur doit être effectuée de préférence dans un tableau électrique doté d'un guide DIN pour le maintien des modules électriques.
- Respecter scrupuleusement les raccordements prévus. Un branchement erroné peut provoquer des pannes ou représenter une source potentielle de danger.
- Conformément aux règles d'installation électrique, la ligne d'alimentation qui alimente le variateur doit comporter un dispositif de déconnexion électrique qui assure la coupure totale de l'alimentation secteur dans les conditions prévues pour la catégorie de surtension III. Ce dispositif n'est pas fourni avec le produit.

### 3.2 - Description des raccordements de base

Raccorder le variateur conformément aux indications de la **fig. 1**. Il doit être raccordé à une tension de 220-240 VCA à l'aide des bornes 2 (phase L) et 3 (neutre N). Le bouton externe est normalement ouvert et doit être branché entre les bornes 1 (bouton P) et 3 (neutre N). Ils seront sous tension.

**Remarque** – Faire particulièrement attention aux perturbations qui pourraient se trouver sur le neutre de la ligne concernée par le variateur.

Si le variateur est raccordé à incandescence halogène ou, vous devez connecter le condensateur fourni (voir la **fig. 2**). Ne pas utiliser le condensateur avec d'autres types de lampes.





### 3.3 - Raccordement des sources lumineuses et limites d'utilisation

Le variateur peut être raccordé à différents types de lampe dont l'alimentation d'entrée est de 230 VCA  $\pm 10\%$  et 50 Hz. Les lampes peuvent être à incandescence, halogène, à LED ou fluorescentes (pour les lampes à LED et fluorescentes, elles doivent présenter une intensité variable). En présence de transformateurs électroniques ou toroïdaux, ils doivent également présenter une intensité variable. La charge à contrôler doit être reliée aux bornes 4 (neutre N) et 5 (phase variable «  $\curvearrowright$  »). **IMPORTANT** – Le branchement simultané de plusieurs sources lumineuses aux bornes 4 et 5 est possible, mais déconseillé. D'une manière générale, respecter les consignes suivantes.

- Il est déconseillé de brancher plus de trois lampes sur un même variateur.
- Les lampes branchées simultanément sur les bornes 4 et 5 doivent être du même type. L'association de lampes à LED avec des lampes fluorescentes (ou de marques et/ou modèles différents) peut provoquer des anomalies, voire une panne du variateur.
- L'utilisation du variateur pour régler la luminosité des lampes fluorescentes et à LED peut réduire, parfois de manière considérable, la puissance. Cela dépend fortement de la technologie électronique adoptée pour les lampes. Avec ce type de lampe, les fonctions du variateur doivent être testées périodiquement. En cas de doute, contacter le fabricant.

## 4 - APPRENTISSAGE DES CARACTERISTIQUES TECHNIQUES DES LAMPES BRANCHEES

Après avoir installé et branché le variateur, il faudra renseigner le type de lampe installé. Les deux méthodes ci-après permettent de mémoriser tous les paramètres techniques des lampes en question nécessaires au bon fonctionnement du système (luminosité minimale et maximale, courbe d'éclairage, etc.). En fait, tout type de lampe affiche un comportement propre en fonction des limites définies : par exemple, en optant pour une luminosité de 10 %, une lampe à incandescence s'allume alors que ce ne sera pas le cas pour une LED.

### 4.1 - Apprentissage du type de lampes branchées

Le variateur est paramétré de série pour commander des lampes à incandescence de 1 à 150 W. **Pour choisir un autre type de source lumineuse**, procéder comme suit.

**01.** Maintenir enfoncée la touche du variateur : attendre 5 secondes que la LED s'allume et s'éteigne définitivement. Relâcher la touche à la fin.

**02.** Maintenir enfoncée la touche du variateur : attendre 5 secondes que la LED

s'allume ; attendre 5 secondes que la LED s'éteigne ; attendre que la LED clignote 3 fois et relâcher la touche.

**03.** Maintenir enfoncée la touche du variateur : attendre 5 secondes que la LED s'allume ; attendre 5 secondes que la LED s'éteigne ; attendre que la LED clignote 2 fois et relâcher la touche.

**04.** Choisir dans la liste le type de lampe à programmer et appuyer lentement sur le bouton du variateur plusieurs fois en fonction du type de lampe :

- **Lampe à incandescence 150W à 250W** = 1 pression sur le bouton.
- **Lampe à incandescence 1W à 150W** = 2 pressions sur le bouton.
- **Lampe à LED** = 3 pressions sur le bouton.
- **Lampe fluorescente** = 4 pressions sur le bouton.

Attendre 10 secondes que la LED clignote autant de fois que l'opération choisie.

**05.** Maintenir enfoncée la touche du variateur : attendre 5 secondes que la LED s'allume et s'éteigne définitivement. Relâcher la touche à la fin. Pour confirmer, la LED clignotera deux fois.

## 5 - EMETTEURS COMPATIBLES ET FONCTIONNEMENT

### 5.1 - Emetteurs compatibles

Le variateur est équipé de la technologie NRC de 433,92 Mhz, avec *code tournant*. Il est donc compatible avec les émetteurs Nice repris dans le **Tableau B**. Consulter le catalogue Nice ou le site [www.niceforyou.com](http://www.niceforyou.com) pour plus d'informations sur les caractéristiques de ces émetteurs.

### 5.2 - Fonctionnement des émetteurs avec curseur

Ces émetteurs disposent de touches pour l'activation des commandes, mais sont également dotés d'une technologie capacitive sensible au toucher et au mouvement des doigts. La surface fait office de curseur. Elle permet l'allumage et l'extinction des lampes, ainsi que le réglage dynamique de la luminosité.

- **Contact rapide du doigt sur la surface** : envoi au variateur d'une commande de position absolue. Exemple : en touchant le curseur à 30 % de sa course, la luminosité est réglée sur 30 % ; en touchant le curseur à 0 %, la luminosité est de 0 %, etc.
- **Mouvement du doigt sur la surface** (dans les deux sens) : envoi au variateur d'une progression de commandes qui tente de régler la luminosité de la lampe de manière dynamique selon la volonté de l'utilisateur. Le mouvement du doigt envoie des commandes de positionnement relatif. En d'autres termes, quel que soit le point de départ, la luminosité est augmentée (ou diminuée) jusqu'à ce que le doigt quitte la surface. Cela permet de régler la luminosité de la lampe de sa valeur minimale (reprise dans le **Tableau A**) à sa valeur maximale, et non de 0 à 100 %. Plusieurs



déplacements peuvent être nécessaires pour régler complètement la luminosité de la lampe, entre la valeur minimale et la valeur maximale.

- Si la luminosité de la lampe correspond déjà au minimum, l'envoi de commandes complémentaires pour augmenter la luminosité n'aura aucun effet visible. De même, si la luminosité de la lampe correspond déjà au maximum, l'envoi de commandes complémentaires pour diminuer la luminosité n'aura aucun effet visible.
- Pour certains modèles de la gamme « Era P slider » (ex. : P6V, P6SV, etc.), avant l'activation d'une commande, il faut choisir le variateur auquel la commande sera envoyée en appuyant sur le bouton de l'émetteur correspondant au canal auquel le variateur a été associé lors de la mémorisation.
- Après l'envoi de commande et avant d'en envoyer une autre, il faut attendre l'extinction du LED : si cette règle n'est pas respectée, la luminosité pourrait être imprévisible.
- Une pression prolongée sur la surface met l'émetteur en veille. Pour le réactiver, appuyer à nouveau sur la surface ou bien sur une autre touche.

## 6 - IMPORTANT : A LIRE AVANT DE MEMORISER LES EMETTEURS

### 6.1 - Mémorisation standard et mémorisation personnalisée de l'émetteur

Toutes les procédures disponibles pour mémoriser un émetteur se répartissent en deux grandes catégories : les méthodes d'enregistrement en mode standard, dites « **procédures en Mode I** », et les méthodes d'enregistrement en mode personnalisé, dites « **procédures en Mode II** ».

#### 6.1.1 - Les procédures en « MODE I »

Cette méthode associe automatiquement les trois commandes du variateur aux trois premières touches de l'émetteur (les autres touches éventuelles ne sont pas programmées) sur la base d'une programmation de série (non modifiable par l'utilisateur). Au terme d'une procédure en « Mode I », les touches de l'émetteur seront configurées comme suit :

- touche ▲ (ou touche **1**) : associée à la fonction « **Dimmer Up** ».
- touche ▲ (ou touche **2**) : associée à la fonction « **Toogle** ».
- touche ▲ (ou touche **3**) : le cas échéant, associée à la fonction « **Dimmer Down** ».
- touche 4 (et suivantes) : le cas échéant, aucune fonction.

**Remarque** – Si les touches de votre émetteur ne présentent aucun symbole ou chiffre, consulter la **fig. 3** pour les reconnaître.

En cas d'utilisation de l'émetteur, les fonctions associées aux touches se comporteront comme suit :

TABLEAU A	Puis- sance minimale	Puissance maximale	% de la luminosité minimale
Type de lampe			
Lampes à incandescence et halogènes à puissance élevée, plus de 150 W	<b>150 Watt</b>	<b>250 Watt</b>	<b>15 %</b>
Lampes à incandescence et halogènes à puissance réduite, moins de 150 W ( <b>réglage d'usine</b> )	<b>1 Watt</b>	<b>150 Watt</b>	<b>20 %</b>
Lampes à LED	<b>0 Watt</b>	<b>100 Watt</b>	<b>15 %</b>
Lampes fluorescentes	<b>0 Watt</b>	<b>100 Watt</b>	<b>30 %</b>

#### • **Dimmer Up** :

- en cas de pression brève de la touche (moins d'une seconde), la luminosité augmente d'un faible pourcentage, à moins d'avoir déjà atteint son maximum ;
- en cas de pression prolongée de la touche (plus d'une seconde), la luminosité continue d'augmenter jusqu'à atteindre la valeur maximale et/ou le relâchement de la touche.

#### • **Toggle** :

- à chaque pression de la touche, le variateur allume (On) ou éteint (Off) la source lumineuse. La luminosité associée à la fonction On correspondra à la limite de luminosité mémorisée dans le variateur. La valeur est automatiquement mémorisée par le variateur à chaque fois que la lampe s'éteint (le cas échéant, la valeur mémorisée équivalra à la luminosité de la lampe avant extinction) ou, dans tous les cas, après environ 60 secondes suite à la dernière variation de luminosité (le cas échéant, la dernière valeur de luminosité est mémorisée).

#### • **Dimmer Down** :

- en cas de pression brève de la touche (moins d'une seconde), la luminosité diminue d'un faible pourcentage, à moins d'avoir déjà atteint son maximum ;
- en cas de pression prolongée de la touche (plus d'une seconde), la luminosité continue de diminuer jusqu'à atteindre la valeur maximale et/ou le relâchement de la touche.

### 6.1.2 - Les procédures en « MODE II »

L'exécution d'une procédure de ce mode permet à l'installateur d'associer librement une commande parmi celles proposées par le variateur à une touche donnée de l'émetteur. Au terme d'une procédure « Mode II », pour associer une autre commande à une autre touche, il faudra répéter la procédure. Les commandes à mémoriser avec une procédure en « Mode II » sont les suivantes :

• **Dimmer Up > Dimmer Down > Dimmer Up > etc.** • **Toggle :**

- une pression prolongée de la touche (plus d'une seconde) augmente la luminosité de la lampe (fonction « Dimmer Up »). En cas de relâchement et de nouvelle pression prolongée de la touche, l'intensité diminue (fonction « Dimmer Down ») ;
- une pression brève de la touche (moins d'une seconde) permet d'allumer (On) ou d'éteindre (Off) la source lumineuse (fonction « Toggle »).

• **Dimmer Up :**

cette commande fonctionne conformément à la description du paragraphe « Mode I ».

• **Dimmer Down :**

cette commande fonctionne conformément à la description du paragraphe « Mode I ».

• **Toggle :**

cette commande fonctionne conformément à la description du paragraphe « Mode I ».

• **Niveau (...) de luminosité (1 / 2 / 3 / 4) :**

chaque commande rappelle une limite de luminosité définie. Le réglage d'usine pour chaque niveau figure dans le tableau ci-dessous :

---

Niveau 1 de luminosité = 25 %

---

Niveau 2 de luminosité = 50 %

---

Niveau 3 de luminosité = 75 %

---

Niveau 4 de luminosité = 100 %

---

La valeur associée à chaque niveau peut être modifiée (v. chapitre 11). **Attention !**

- Si la valeur définie est inférieure à la luminosité minimale (définie conformément au chapitre 4), le comportement de la lampe sera incohérent. Par exemple, en cas d'envoi d'une commande d'allumage, la lampe ne s'allumera pas.

**Par exemple :** si une lame à LED est reliée au variateur (valeur de la luminosité minimale pour ce type de lampe = 30%, reprise dans le tableau A) et si la commande « Niveau 1 de luminosité » est envoyée avec une limite de 25 % (valeur par défaut), la lampe reste éteinte parce que 25 % est inférieur à 30 % (luminosité minimale pour ce type de produit).

• **Off :**

cette commande éteint la lampe.

• **On :**

cette commande allume la lampe à 100 % de sa luminosité.

## 6.2 - Avertissements pour la programmation

En général, la programmation du variateur peut être réalisée de différentes manières. Certaines permettent la programmation du variateur à distance sans accéder physiquement à la touche de programmation.

**A) Programmation réalisée avec un autre émetteur déjà mémorisé dans le variateur.** Les procédures disponibles pour cette technique font l'objet des paragraphes **8.1 - 8.2 - 8.3 - 11.1 - 12.1.**

**B) Programmation réalisée avec la touche de programmation du variateur.** Les procédures disponibles pour cette technique font l'objet des paragraphes **9.1 - 9.2 - 11.2 - 12.2.**

**C) Programmation réalisée à l'aide d'un bouton externe relié au variateur.** Les procédures disponibles pour cette technique font l'objet des paragraphes **10.1 - 10.2 - 11.3 - 12.3.**

- Le LED N du variateur peut envoyer quatre types de signaux : allumé, éteint, clignotement long, clignotement bref. Plus particulièrement, les clignotements présentent la durée suivante :
  - clignotement long : LED allumée pendant 1,5 s et éteinte pendant 1,5 s.
  - clignotement court : LED allumée pendant 0,5 s et éteinte pendant 0,5 s.
- Pendant l'exécution d'une procédure, le LED du variateur transmet un message en fonction des actions de l'installateur. Au même moment, la lampe reproduit les mêmes messages que la LED pour une meilleure communication visuelle. Cela s'avère particulièrement utile lorsque la LED n'est pas visible. Il convient de vérifier si les signaux de la lampe peuvent être limités par certains facteurs : **a)** outre les clignotements, la LED change également de couleur pour communiquer alors que la lampe est monochrome ; **b)** à l'extinction de la lampe, le variateur mémorise la dernière valeur de luminosité utilisée. Si cette valeur est trop élevée ou trop basse pendant la procédure, les signaux pourraient ne pas apparaître. Dès lors, avant toute procédure, mieux vaut adopter une luminosité de 50 % environ ; **c)** une lampe fluorescente ne pourra garantir une transmission correcte des messages.
- Outre les messages de la LED transmis pendant les procédures, celle-ci pourra également communiquer des informations générales :
  - **6 clignotements verts.** Ils sont émis au terme d'une procédure de mémorisation d'un émetteur pour signaler que la mémoire est pleine et que l'émetteur n'a pas pu être mémorisé.
  - **2 clignotements verts.** S'ils sont émis lorsque le variateur est alimenté, cela indique que la mémoire est vide (aucun émetteur n'a été mémorisé). S'ils sont émis au terme d'une procédure de mémorisation d'un émetteur pour signaler que la mémoire est bloquée et que l'émetteur n'a pas pu être mémorisé.
  - **2 clignotements rouges.** Ils sont émis pendant toute procédure de programmation pour signaler une erreur.
  - **clignotements orange.** Ils sont émis lors de la réalisation du point 01 d'une procédure de mémorisation d'un émetteur. Ils signalent alors que l'émetteur n'est pas encore mémorisé et que le système est prêt pour l'enregistrement.

- Toutes les procédures de programmation ont un *délai d'expiration* : dès qu'il relâche un bouton, l'utilisateur a 30 secondes pour appuyer sur le suivant. Au terme de ce délai, la programmation s'interrompt et deux clignotements rouges indiquent l'annulation de la procédure. La source lumineuse s'éteint.
- Certains émetteurs disposent de plusieurs canaux (par ex. : WM004G, WM006G, P6V, P6SV, etc.) et chacun peut être activé à l'aide d'un bouton spécifique. Pendant l'enregistrement de ces émetteurs, avant d'appuyer sur les touches, il faut appuyer sur la touche correspondant à un canal pour associer le variateur à ce canal (plusieurs variateurs peuvent être associés à un même canal). Ensuite, lors de l'utilisation de l'émetteur, avant d'envoyer une commande, il faudra sélectionner le variateur auquel la commande est destinée, en appuyant sur la touche du canal correspondant.
- Les programmations radio sont valables pour tous les variateurs qui se trouvent dans le rayon d'action de l'émetteur. Avant d'effectuer une quelconque programmation, il faudra couper l'alimentation des variateurs qui ne doivent pas être programmés.
- Jusque 30 codes d'émetteurs peuvent être mémorisés en « Mode I », ou « Mode II ».
- Pour quitter volontairement une procédure de programmation sans la mener à terme, appuyez simultanément pendant 5 secondes sur les touches ■ e ▼ de l'émetteur en « Mode I ».

## 7 - PROGRAMMATION DU PREMIER EMETTEUR EN « MODE I »

Cette méthode permet de programmer exclusivement le premier émetteur. Elle n'est utilisable que si la mémoire du variateur est totalement vide. Cet état est signalé à la mise sous tension du variateur par deux clignotements verts longs. Si le variateur n'émet aucun signal, c'est que d'autres émetteurs ont été mémorisés. Le cas échéant, il faudra d'abord effacer les émetteurs de la mémoire pour pouvoir effectuer cette procédure. La mémorisation a lieu en « Mode I ».

- 01.** Couper l'alimentation du variateur, attendre 2 secondes, remettre le courant : le témoin du variateur clignote deux fois en vert. **Attention ! - S'il ne clignote pas, c'est que le premier émetteur a déjà été mémorisé et que cette méthode ne peut être utilisée.**
- 02.** (*dans les 5 secondes*) Appuyer sur le bouton ■ et le maintenir enfoncé pendant 8 secondes au moins ; puis le relâcher lorsque la lampe s'allume pour confirmer l'enregistrement.
- 03.** Pour confirmer, le témoin du variateur clignote deux fois en vert. La lampe clignote également.

Si la procédure n'a pas été correctement effectuée, la lampe ne s'allume pas. Répéter la procédure depuis le début.

## 8 - PROGRAMMATION D'AUTRES EMETTEURS A L'AIDE D'UN PREMIER EMETTEUR DEJÀ MEMORISE

### 8.1 - Programmation d'autres émetteurs en « Mode I » (à l'aide d'un émetteur déjà mémorisé)

Cette méthode permet de programmer d'autres émetteurs à l'aide d'un émetteur préalablement enregistré en « Mode I » à l'aide de la procédure reprise au chapitre 7. Celle-ci copiera exactement sur le nouvel émetteur les fonctions de l'émetteur initial.

- 01.** (*sur le nouvel émetteur*) Appuyer sur le bouton ■ et le maintenir enfoncé pendant 8 secondes au moins ; puis, le relâcher (le Led du variateur clignote en rouge).
- 02.** (*sur l'ancien émetteur*) Appuyer 3 fois sur la touche ■ à condition que l'enregistrement ait été effectué.
- 03.** (*sur le nouvel émetteur*) Pour achever la procédure, appuyer sur la touche ■ et le maintenir enfoncé pendant 5 secondes au moins. Si l'enregistrement a été correctement effectué, le témoin du variateur clignote deux fois en vert et la lampe s'allume à 50 % de son intensité environ. Si l'enregistrement n'a pas eu lieu, le témoin clignote deux fois en orange. Le cas échéant, éteindre l'appareil et le rallumer, attendre 150 secondes et répéter la procédure dès le départ.

### 8.2 - Programmation d'autres émetteurs en « Mode II » (à l'aide d'un émetteur déjà mémorisé)

Cette méthode permet de programmer d'autres émetteurs à l'aide d'un émetteur préalablement enregistré en « Mode I » à l'aide de la procédure reprise au chapitre 7. Cette méthode enregistre le nouvel émetteur en « Mode II ».

Avant de lancer la procédure, allumer la lampe, la régler sur la luminosité minimale et l'éteindre.

- 01.** (*sur l'ancien émetteur*) Appuyer sur la touche ■ et la maintenir enfoncée pendant 5 secondes environ jusqu'à ce que la lampe atteigne son intensité maximale. Relâcher la touche à la fin. Le témoin du variateur clignote une fois rapidement (en vert).
- 02.** (*sur l'ancien émetteur*) Appuyer sur la touche ■ et la maintenir enfoncée pendant 5 secondes environ jusqu'à ce que la lampe atteigne une intensité de 10 %. Relâcher la touche à la fin. Le témoin du variateur clignote deux fois rapidement en vert.
- 03.** (*sur l'ancien émetteur*) Choisir dans la liste ci-dessous la commande à programmer et appuyer lentement sur la touche ■ le nombre de fois indiqué :
  - « Dimmer Up > Dimmer Down > Dimmer Up > etc..... » / « Toggle » (= 1 pression sur la touche ■)
  - « Dimmer Up » (= 2 pressions sur la touche ■)
  - « Dimmer Down » (= 3 pressions sur la touche ■)

- « **Toggle** » (= 4 pressions sur la touche ■)
- « **Niveau 1** » (= 5 pressions sur la touche ■)
- « **Niveau 2** » (= 6 pressions sur la touche ■)
- « **Niveau 3** » (= 7 pressions sur la touche ■)
- « **Niveau 4** » (= 8 pressions sur la touche ■)
- « **Off** » (= 9 pressions sur la touche ■)
- « **On** » (= 10 pressions sur la touche ■)

Attendre 10 secondes que la lampe s'éteigne complètement ; le témoin clignote brièvement en vert selon le nombre de pressions exercées sur la touche ■ et selon la commande choisie. **Attention ! - il est important que la lampe s'éteigne complètement avant de transmettre une commande quelconque à l'aide du nouvel émetteur ; si la transmission a lieu avant, l'émetteur ne sera pas enregistré.**

**04.** (sur le nouvel émetteur) Appuyer et maintenir la touche à programmer enfoncée ; attendre (5 secondes environ) l'allumage de la lampe. Si l'opération se déroule correctement, le témoin du variateur clignote 3 fois rapidement en vert et la lampe s'allume. Si la lampe ne s'allume pas, répéter la procédure depuis le début.

Si vous souhaitez enregistrer une autre touche du même émetteur, ou d'un autre émetteur, répéter la procédure dès le départ.

### 8.3 - Vidage de la mémoire (à l'aide d'un autre émetteur déjà enregistré)

A l'aide d'un émetteur mémorisé en « Mode I », la mémoire du variateur peut être intégralement ou partiellement effacée.

Avant de lancer la procédure, allumer la lampe, la régler sur la luminosité minimale et l'éteindre.

- 01.** Appuyer sur la touche ■ de l'émetteur et la maintenir enfoncée pendant 5 secondes environ jusqu'à ce que la lampe atteigne son intensité maximale. Relâcher la touche à la fin. Le témoin du variateur clignote une fois rapidement (en vert).
- 02.** Appuyer sur la touche ▼ de l'émetteur et la maintenir enfoncée pendant 5 secondes environ jusqu'à ce que la lampe atteigne 10 % de son intensité. Relâcher la touche à la fin. Le témoin du variateur clignote deux fois rapidement en vert.
- 03.** Appuyer sur la touche ▲ de l'émetteur et la maintenir enfoncée pendant 5 secondes environ jusqu'à ce que la lampe atteigne 50% de son intensité. Relâcher la touche à la fin. Le témoin du variateur clignote trois fois rapidement en vert.
- 04.** Appuyer sur la touche ■ de l'émetteur et la maintenir enfoncée pendant 5 secondes environ jusqu'à ce que la lampe atteigne 10 % de son intensité. Relâcher la touche à la fin. Le témoin du variateur clignote quatre fois rapidement en vert.
- 05.** Choisir dans la liste l'élément à supprimer. Appuyer sur le bouton de l'émetteur indiqué dans l'option choisie et le maintenir enfoncé :
  - **effacer les émetteurs uniquement** (= maintenir la touche ▲) ;

- **effacer les paramètres uniquement** (= maintenir la touche ■) ;
- **effacer les émetteurs et les paramètres** (= maintenir la touche ▼).

Attendre 5 secondes environ que la lampe branchée s'éteigne complètement. Relâcher la touche à la fin. Le témoin du variateur clignote à deux reprises en vert et la lampe s'éteint. Si la lampe reste allumée et que le témoin du variateur clignote deux fois rapidement en rouge, répéter la procédure dès le départ.

## 9 - PROGRAMMATION DES EMETTEURS A L'AIDE DU BOUTON DU VARIATEUR

### 9.1 - Programmation d'un émetteur en « Mode II » (à l'aide du bouton du variateur)

Cette méthode permet d'associer un émetteur au variateur en « Mode II ». Pour cette procédure, il n'est pas nécessaire d'avoir un deuxième émetteur en « Mode I ».

Avant de lancer la procédure, allumer la lampe, la régler sur la luminosité minimale et l'éteindre.

- 01.** (sur le variateur) Appuyer et maintenir le bouton enfoncé ; attendre que le témoin vert s'allume et s'éteigne complètement ; relâcher enfin le bouton.
- 02.** (sur le variateur) Appuyer et maintenir le bouton enfoncé ; attendre que le témoin vert s'allume et s'éteigne complètement ; relâcher enfin le bouton.
- 03.** (sur le variateur) Appuyer et maintenir le bouton enfoncé ; attendre que le témoin vert s'allume et s'éteigne avant de clignoter 5 fois en vert ; relâcher enfin le bouton.
- 04.** Choisir dans la liste la fonction à programmer et appuyer lentement sur le bouton du variateur plusieurs fois en fonction du type de lampe :
  - « **Dimmer Up > Dimmer Down > Dimmer Up > etc.....** » / « **Toggle** » (= 1 pression sur le bouton du variateur)
  - « **Dimmer Up** » (= 2 pressions sur le bouton du variateur)
  - « **Dimmer Down** » (= 3 pressions sur le bouton du variateur)
  - « **Toggle** » (= 4 pressions sur le bouton du variateur)
  - « **Niveau 1** » (= 5 pressions sur le bouton du variateur)
  - « **Niveau 2** » (= 6 pressions sur le bouton du variateur)
  - « **Niveau 3** » (= 7 pressions sur le bouton du variateur)
  - « **Niveau 4** » (= 8 pressions sur le bouton du variateur)
  - « **Off** » (= 9 pressions sur le bouton du variateur)
  - « **On** » (= 10 pressions sur le bouton du variateur)

Attendre que la LED clignote plusieurs fois en vert. Le nombre de clignotements doit correspondre au nombre de pressions sur le bouton du variateur selon la fonction choisie.
- 05.** (sur l'émetteur) Maintenir le bouton enfoncé pendant 5 secondes environ jusqu'à ce que la LED clignote 3 fois rapidement (vert) et que la lampe s'allume à 50%

de son intensité. Relâcher la touche à la fin.

Si vous souhaitez enregistrer une autre touche du même émetteur, ou d'un autre émetteur, répéter la procédure dès le départ.

## 9.2 - Effacement de la mémoire (à l'aide du bouton du variateur)

A l'aide du bouton du variateur, la mémoire du variateur peut être intégralement ou partiellement effacée.

01. Appuyer et maintenir le bouton du variateur enfoncé ; attendre que le témoin vert s'allume et s'éteigne complètement ; relâcher enfin le bouton.
02. Appuyer et maintenir le bouton du variateur enfoncé ; attendre que le témoin vert s'allume, s'éteigne et clignote 2 fois (vert) ; relâcher enfin le bouton.
03. Appuyer et maintenir le bouton du variateur enfoncé ; attendre que le témoin vert s'allume, s'éteigne et clignote 5 fois (vert) ; relâcher enfin le bouton.
04. Choisir dans la liste la fonction à annuler et appuyer lentement sur le bouton du variateur plusieurs fois en fonction de l'option :

- **supprimer seulement les émetteurs** (= 1 pression sur le bouton) ;
- **supprimer seulement les paramètres** (= 2 pressions sur le bouton) ;
- **supprimer les paramètres et les émetteurs** (= 3 pressions sur le bouton).

Attendre 10 secondes que la LED verte clignote autant de fois que le nombre de pressions exercées sur le bouton, selon l'option à effacer.

05. Maintenir le bouton du variateur enfoncé et attendre que la LED verte s'allume et s'éteigne, puis lâcher le bouton : la LED clignote deux fois rapidement pour confirmer la suppression.

## 10 - PROGRAMMATION DES EMETTEURS A L'AIDE DU BOUTON EXTERNE

Un bouton externe peut être raccordé à l'appareil pour commander l'allumage, l'extinction et la variation d'intensité de la lampe. Le bouton pourra aussi être utilisé pour la programmation. Pendant l'exécution des procédures, les clignotements des LED sont répliqués par la lampe. Cela permet d'éviter de devoir surveiller la LED. **Important** - en cas d'utilisation d'une lampe fluorescente ou d'une lampe LED, le clignotement n'est pas garanti à l'identique. Cela dépend de la technologie utilisée dans ces lampes et qui peut varier de manière considérable selon la marque et le modèle.

### 10.1 - Programmation d'un émetteur en « Mode II » (à l'aide du bouton externe)

Cette méthode permet d'associer un émetteur au variateur en « Mode II ».

Avant de lancer la procédure, allumer la lampe, la régler sur la luminosité minimale et l'éteindre.

01. Couper l'alimentation du variateur ; maintenir enfoncé le bouton externe et alimenter à nouveau le variateur. Attendre que la LED s'allume (vert) et que la lampe s'allume à son intensité minimale. Relâcher ensuite le bouton externe.
02. Appuyer et maintenir le bouton externe enfoncé ; attendre que la LED verte reste fixe et que l'intensité de la lampe augmente. Attendre l'extinction de la LED et la diminution de l'intensité lumineuse de la lampe. Relâcher ensuite le bouton externe.
03. Appuyer et maintenir le bouton externe enfoncé ; attendre que la LED verte reste fixe et que l'intensité de la lampe augmente. Attendre l'extinction de la LED et la diminution de l'intensité lumineuse de la lampe. Relâcher ensuite le bouton externe.
04. Appuyer et maintenir enfoncé le bouton externe ; attendre l'allumage de la LED (vert) et son extinction. Attendre que l'intensité de la lampe augmente puis diminue. Attendre que la LED et la lampe clignent 2 fois rapidement, puis relâcher le bouton externe.
05. Choisir dans la liste la fonction à programmer et appuyer lentement sur le bouton externe plusieurs fois selon la fonction choisie :
  - « **Dimmer Up** > **Dimmer Down** > **Dimmer Up** > etc..... » / « **Toggle** » (= 1 pression sur le bouton externe)
  - « **Dimmer Up** » (= 2 pressions sur le bouton externe)
  - « **Dimmer Down** » (= 3 pressions sur le bouton externe)
  - « **Toggle** » (= 4 pressions sur le bouton externe)
  - « **Niveau 1** » (= 5 pressions sur le bouton externe)
  - « **Niveau 2** » (= 6 pressions sur le bouton externe)
  - « **Niveau 3** » (= 7 pressions sur le bouton externe)
  - « **Niveau 4** » (= 8 pressions sur le bouton externe)
  - « **Off** » (= 9 pressions sur le bouton externe)
  - « **Off** » (= 10 pressions sur le bouton externe)

Attendre que la LED (vert) et la lampe clignent autant de fois que le nombre de pressions exercées sur le bouton, selon la fonction choisie. Attendre ensuite l'extinction de la lampe.

06. Appuyer et maintenir la touche de l'émetteur à programmer. Relâcher le bouton après le premier clignotement de la LED (vert) (s'ensuivent 2 clignotements). La lampe s'allume à 50 % de son intensité.

Si vous souhaitez enregistrer une autre touche du même émetteur, ou d'un autre émetteur, répéter la procédure dès le départ.

### 10.2 - Effacement de la mémoire (à l'aide du bouton externe)

A l'aide du bouton externe, la mémoire du variateur peut être intégralement ou partiellement effacée.

Avant de lancer la procédure, allumer la lampe, la régler sur la luminosité minimale et l'éteindre.

01. Couper l'alimentation du variateur
02. Maintenir le bouton externe enfoncé. Alimenter à nouveau le variateur et attendre que la LED verte s'allume et que la lampe atteigne sa luminosité minimale. Relâcher le bouton.
03. Maintenir le bouton externe enfoncé. Attendre que la LED s'allume (vert fixe) et que l'intensité de la lampe augmente. Attendre que la LED s'éteigne et que l'intensité de la lampe diminue. Relâcher le bouton.
04. Maintenir le bouton externe enfoncé. Attendre que la LED s'allume (vert fixe) et que l'intensité de la lampe augmente, puis diminue. Attendre que la LED et la lampe clignotent deux fois. Relâcher le bouton.
05. Maintenir le bouton externe enfoncé. Attendre que la LED s'allume (vert fixe), puis s'éteigne. Attendre que l'intensité de la lampe augmente, puis diminue. Attendre que la LED et la lampe clignotent 5 fois (vert). Relâcher le bouton.
06. Choisir dans la liste la fonction à annuler et appuyer lentement sur le bouton externe plusieurs fois en fonction de l'option :
  - **supprimer seulement les émetteurs** (= 1 pression sur le bouton externe) ;
  - **supprimer seulement les paramètres** (= 2 pressions sur le bouton externe) ;
  - **supprimer les paramètres et les émetteurs** (= 3 pressions sur le bouton externe).
 Attendre 10 secondes que la LED verte clignote autant de fois que le nombre de pressions exercées sur le bouton, selon l'option à effacer.
07. Maintenir le bouton externe enfoncé. Attendre que la LED s'allume (vert fixe), puis s'éteigne. Relâcher le bouton et attendre que la LED clignote 2 fois (vert). Pour confirmer, la LED clignote deux fois rapidement (vert), ainsi que la lampe. A la fin, la lampe reste éteinte.

## 11 - PROGRAMMATION DES NIVEAUX DE LUMINOSITE

Quatre niveaux de luminosité peuvent être programmés à l'aide du variateur. La configuration d'usine prévoit les valeurs suivantes pour chaque niveau :

- Niveau 1 = (25 % de l'intensité lumineuse)
- Niveau 2 = (50% de l'intensité lumineuse)
- Niveau 3 = (75% de l'intensité lumineuse)
- Niveau 4 = (100% de l'intensité lumineuse)

Ces niveaux peuvent être rappelés uniquement s'ils ont été associés à une touche de l'émetteur en « Mode II ». **Attention !** - Un émetteur en « Mode I » ne pourra pas activer le niveau de luminosité programmé. Les valeurs des 4 niveaux peuvent être redéfinies à l'aide d'une des trois procédures suivantes.

### 11.1 - Réglage d'une nouvelle valeur de luminosité et mémorisation en « Mode II » (à l'aide d'un autre émetteur déjà mémorisé)

Cette procédure peut être effectuée uniquement à l'aide d'un émetteur qui se trouve déjà en « Mode I ». La procédure redéfinit la valeur de luminosité d'un seul niveau. Pour redéfinir la valeur d'un autre niveau, répéter la procédure dès le départ.

Avant de lancer la procédure, allumer la lampe, la régler sur la luminosité minimale et l'éteindre.

01. Appuyer et maintenir enfoncée la touche ■ ; attendre (5 secondes environ) jusqu'à ce que la lampe reliée au variateur atteigne sa luminosité maximale et/ou la LED clignote 1 fois brièvement en vert. Relâcher la touche à la fin.
02. Appuyer et maintenir enfoncée la touche ▲ ; attendre (5 secondes environ) jusqu'à ce que la lampe atteigne 10 % de sa luminosité et/ou la LED clignote 2 fois brièvement en vert. Relâcher la touche à la fin.
03. Utiliser les touches ▲ et ▼ pour régler la luminosité de la lampe sur la valeur désirée. Attendre 10 secondes environ que la lampe s'éteigne complètement.
04. Choisir dans la liste le niveau à attribuer à la nouvelle valeur de luminosité et effectuer l'opération associée à ce niveau :
  - **Niveau 1** (= maintenir le bouton ▲ enfoncé ; attendre que la LED clignote 3 fois (vert), puis, relâcher la touche).
  - **Niveau 2** (= maintenir le bouton ■ enfoncé ; attendre que la LED clignote 3 fois (vert), puis, relâcher la touche).
  - **Niveau 3** (= maintenir le bouton ▼ enfoncé ; attendre que la LED clignote 3 fois (vert), puis, relâcher la touche).
  - **Niveau 4** : (= maintenir enfoncées les touches ▲ et ▼ ; attendre que la LED clignote 3 fois (vert) ; puis, relâcher les touches).

### 11.2 - Réglage d'une nouvelle valeur de luminosité et mémorisation en « Mode II » (à l'aide du bouton du variateur)

Avant de lancer la procédure, allumer la lampe, la régler sur la luminosité minimale et l'éteindre.

01. Appuyer et maintenir le bouton du variateur enfoncé ; attendre que le témoin vert s'allume et s'éteigne complètement ; relâcher enfin le bouton.
02. Appuyer et maintenir le bouton du variateur enfoncé ; attendre que le témoin vert s'allume et s'éteigne complètement ; relâcher enfin le bouton.
03. Appuyer et maintenir le bouton du variateur enfoncé ; attendre que le témoin vert s'allume, s'éteigne et clignote 2 fois (vert) ; relâcher enfin le bouton.
04. Régler la luminosité de la lampe sur la valeur souhaitée à l'aide du bouton du variateur :
  - **première pression prolongée sur le bouton** : augmente la luminosité



jusqu'à ce que le bouton soit relâché.

• **deuxième pression prolongée sur le bouton** : diminue la luminosité jusqu'à ce que le bouton soit relâché.

**Attention !** - Une brève pression du bouton active la fonction Toggle (On/Off). Après avoir atteint l'intensité désirée, attendre 10 secondes environ que la LED clignote deux fois (vert).

**05.** Choisir dans la liste le niveau auquel affecter la nouvelle valeur de luminosité et appuyer lentement sur le bouton du variateur le nombre de fois correspondant au niveau choisi :

- **Niveau 1** (= 1 pression sur le bouton du variateur) ;
- **Niveau 2** (= 2 pressions sur le bouton du variateur) ;
- **Niveau 3** (= 3 pressions sur le bouton du variateur) ;
- **Niveau 4** (= 4 pressions sur le bouton du variateur).

Attendre 10 secondes que la LED verte clignote autant de fois que le nombre de pressions exercées sur le bouton, selon l'option choisie.

**06.** Appuyer et maintenir le bouton du variateur enfoncé ; attendre que le témoin vert s'allume et s'éteigne complètement ; relâcher enfin le bouton. Si l'enregistrement a été correctement effectué, le témoin du variateur clignote deux fois rapidement (en vert) et la lampe s'allume au minimum de son intensité environ.

### 11.3 - Réglage d'une nouvelle valeur de luminosité et mémorisation en « Mode II » (à l'aide du bouton externe)

Avant de lancer la procédure, allumer la lampe, la régler sur la luminosité minimale et l'éteindre.

**01.** Couper l'alimentation du variateur ; maintenir enfoncé le bouton externe et allumer à nouveau le variateur. Attendre que la LED s'allume (vert) et que la lampe s'allume à son intensité minimale. Relâcher ensuite le bouton externe.

**02.** Appuyer et maintenir le bouton externe enfoncé ; attendre que la LED verte reste fixe et que l'intensité de la lampe augmente. Attendre l'extinction de la LED et la diminution de l'intensité lumineuse de la lampe. Relâcher ensuite le bouton externe.

**03.** Appuyer et maintenir le bouton externe enfoncé ; attendre que la LED verte reste fixe et que l'intensité de la lampe augmente. Attendre l'extinction de la LED et la diminution de l'intensité lumineuse de la lampe. Relâcher ensuite le bouton externe.

**04.** Appuyer et maintenir enfoncé le bouton externe ; attendre l'allumage de la LED (vert) et son extinction. Attendre que l'intensité de la lampe augmente puis diminue. Attendre que la LED et la lampe clignent 2 fois rapidement. Relâcher ensuite le bouton externe.

**05.** Régler la luminosité de la lampe sur la valeur souhaitée à l'aide du bouton :

- **première pression prolongée sur le bouton** : augmente la luminosité jusqu'à ce que le bouton soit relâché.
- **deuxième pression prolongée sur le bouton** : diminue la luminosité jusqu'à

ce que le bouton soit relâché.

**Attention !** - Une brève pression du bouton active la fonction Toggle (On/Off). Après avoir atteint l'intensité désirée, attendre 10 secondes environ que la LED clignote deux fois (vert), ainsi que la lampe.

**06.** Choisir dans la liste le niveau auquel affecter la nouvelle valeur de luminosité et appuyer lentement sur le bouton externe le nombre de fois correspondant au niveau choisi :

- **Niveau 1** (= 1 pression sur le bouton externe) ;
- **Niveau 2** (= 2 pressions sur le bouton externe) ;
- **Niveau 3** (= 3 pressions sur le bouton externe) ;
- **Niveau 4** (= 4 pressions sur le bouton externe).

Attendre 10 secondes que la LED (vert) et la lampe clignent autant de fois que le nombre de pressions exercées sur le bouton, selon la fonction choisie.

**07.** Maintenir le bouton externe enfoncé. Attendre que la LED (verte) et la lampe s'allument, puis s'éteignent complètement. Ensuite, relâcher le bouton externe. Si l'enregistrement a été correctement effectué, la LED clignote deux fois rapidement (en vert) et la lampe s'allume au minimum de son intensité environ.

## 12 - BLOCAGE ET DEBLOCAGE DE LA MEMOIRE

Comme il est indiqué au chapitre 8, de nouveaux émetteurs peuvent être enregistrés à l'aide d'un autre déjà préprogrammé. Lors de ce type de programmation, si un autre émetteur Nice avec *code tournant* émet son signal à proximité du variateur, il peut y avoir un risque que l'émetteur soit enregistré sur le même variateur. Pour éviter ce problème, il est possible de bloquer la mémoire du variateur en procédant comme suit.

### 12.1 - Blocage/déblocage de la mémoire (à l'aide d'un émetteur déjà enregistré)

Cette procédure peut être effectuée uniquement à l'aide d'un émetteur qui se trouve déjà en « Mode I ».

Avant de lancer la procédure, allumer la lampe, la régler sur la luminosité minimale et l'éteindre.

**01.** Maintenir la touche ■ de l'émetteur enfoncée ; attendre que la LED du variateur clignote une fois (vert) et que la lampe s'allume à son intensité maximale. Relâcher la touche à la fin.

**02.** Maintenir la touche ▼ de l'émetteur enfoncée ; attendre que la LED du variateur clignote deux fois rapidement (vert) et que la lampe s'allume à 10 % de son intensité. Relâcher la touche à la fin.

**03.** Maintenir la touche ▲ de l'émetteur enfoncée ; attendre que la LED du variateur

clignote 3 fois (vert) et que la lampe s'allume à 50% de son intensité. Relâcher la touche à la fin.

**04.** Maintenir la touche ▲ de l'émetteur enfoncée ; attendre que la LED du variateur clignote 4 fois (vert) et que la lampe s'allume à 10 % de son intensité. Relâcher la touche à la fin.

**05.** Choisir dans la liste l'option choisie :

- **pour bloquer la mémoire** (= utiliser la touche ▲) ;
- **pour débloquer la mémoire** (= utiliser la touche ■).

Maintenir la touche de l'émetteur indiquée dans l'option choisie. Attendre que le témoin clignote 2 fois (vert) et s'éteigne. Relâcher la touche à la fin.

## 12.2 - Blocage/déblocage de la mémoire (à l'aide du bouton du variateur)

**01.** Appuyer et maintenir le bouton du variateur enfoncé ; attendre que le témoin vert s'allume et s'éteigne complètement ; relâcher enfin le bouton.

**02.** Appuyer et maintenir le bouton du variateur enfoncé ; attendre que le témoin vert s'allume, s'éteigne et clignote 2 fois (vert) ; relâcher enfin le bouton.

**03.** Appuyer et maintenir le bouton du variateur enfoncé ; attendre que le témoin vert s'allume, s'éteigne et clignote 2 fois (vert) ; relâcher enfin le bouton.

**04.** Choisir dans la liste l'option souhaitée et appuyer lentement sur le bouton du variateur plusieurs fois en fonction de l'option :

- **pour bloquer la mémoire** (= 1 pression sur le bouton) ;
- **pour débloquer la mémoire** (= 2 pressions sur le bouton) ;

Attendre 10 secondes que la LED clignote plusieurs fois en vert. Le nombre de clignotements doit correspondre au nombre de pressions sur le bouton du variateur selon la fonction choisie.

**05.** Maintenir le bouton du variateur enfoncé et attendre que la LED verte s'allume et s'éteigne, puis lâcher le bouton : la LED clignote deux fois rapidement pour confirmer la suppression.

## 12.3 - Blocage/déblocage de la mémoire (à l'aide du bouton externe)

Avant de lancer la procédure, allumer la lampe, la régler sur la luminosité minimale et l'éteindre.

**01.** Couper l'alimentation du variateur ; maintenir enfoncé le bouton externe et allumer à nouveau le variateur. Attendre que la LED s'allume (vert) et que la lampe s'allume à son intensité minimale. Relâcher ensuite le bouton externe.

**02.** Maintenir le bouton externe enfoncé. Le témoin vert s'allume et s'éteint. L'intensité de la lampe augmente puis diminue. Enfin, lorsque le témoin vert et la lampe

clignent deux fois. Relâcher ensuite le bouton externe.

**03.** Maintenir le bouton externe enfoncé. Le témoin vert s'allume et s'éteint. L'intensité de la lampe augmente puis diminue. Enfin, lorsque le témoin vert et la lampe clignent deux fois. Relâcher ensuite le bouton externe.

**04.** Appuyer sur le bouton externe le nombre de fois correspondant à la fonction désirée :

- **pour bloquer la mémoire** (= 1 pression sur le bouton) ;
- **pour débloquer la mémoire** (= 2 pressions sur le bouton) ;

Dans les 10 secondes suivant la dernière pression, le témoin vert et la lampe clignent selon la fonction choisie.

**05.** Appuyer sur le bouton externe et le maintenir enfoncé. Le témoin vert s'allume et l'intensité de la lampe augmente. Relâcher le bouton dès que le témoin s'éteint et l'intensité de la lampe diminue. Le témoin et la lampe clignent deux fois pour confirmer la fin de la procédure.

## 13 - CARACTÉRISTIQUES TECHNIQUES

• **Alimentation** : 230Vac, ±10% 50Hz • **Absorption maximale** : < 500mW en veille, hors absorption de la charge contrôlée • **Puissance maximale de charge** : 250W / 200VA • **Valeur de dissipation** : 2,5W/A (estimée) • **Type de lampe (avec alimentation d'entrée de 230 Vca ±10 %, 50 Hz)** : lampe à incandescence et halogène ; lampes à LED ; lampes néon • **Indice IP** : 20 • **Dimensions** : 47 x 18 x 32 mm • **Poids** : 30 g

## 14 - MISE AU REBUT DU PRODUIT

• Comme pour l'installation, à la fin de la durée de vie de ce produit, les opérations de démantèlement doivent être effectuées par du personnel qualifié. • Ce produit se compose de divers matériaux : certains peuvent être recyclés, d'autres doivent être mis au rebut. Informez-vous sur les systèmes de recyclage ou de mise au rebut prévus par les normes en vigueur dans votre région pour cette catégorie de produit.

**Attention !** - Certains composants du produit peuvent contenir des substances polluantes ou dangereuses qui pourraient avoir des effets nuisibles sur l'environnement et sur la santé des personnes s'ils n'étaient pas adéquatement éliminés. Comme l'indique le symbole ci-contre, il est interdit de jeter ce produit avec les ordures ménagères. Par conséquent, utiliser la méthode de la « collecte sélective » pour la mise au rebut des composants conformément aux prescriptions des normes en vigueur dans le pays d'utilisation ou remettre le produit au vendeur lors de l'achat d'un nouveau produit équivalent.

**Attention !** - Les règlements locaux en vigueur peuvent appliquer de lourdes sanctions en cas d'élimination prohibée de ce produit. • Les matériaux de l'emballage du produit doivent être mis au rebut dans le plein respect des normes locales en vigueur.





# DÉCLARATION CE DE CONFORMITÉ

Déclaration conforme à la Directive 1999/5/CE

**Note** – Le contenu de cette déclaration correspond en tous points au document officiel déposé au siège de la société Nice S.p.a., et plus particulièrement, à sa dernière révision disponible avant l'impression de cette notice technique. Le présent texte a été réélabré pour des raisons d'édition. Une copie de la déclaration originale peut être demandée à Nice S.p.a. (TV) I.

Numéro de déclaration : **480/TTDMS** Révision : **0** Langue : **FR**

Je, soussigné Luigi Paro en qualité d'Administrateur Délégué, déclare sous mon entière responsabilité que le produit : • **Nom du producteur** : NICE S.p.A. • **Adresse** : Via Pezza Alta N°13, 31046 Rustigné di Oderzo (TV) Italie • **Type de produit** : Variateur pour la gestion des lampes jusqu'à 250W / 200VA • **Modèle / type** : TTDMS • **Accessoires** : aucun

s'avère conforme aux conditions essentielles requises par l'article 3 de la Directive communautaire ci-après, pour l'usage auquel les produits sont destinés :

- Directive 1999/5/CE DU PARLEMENT EUROPÉEN ET DU CONSEIL du 9 mars 1999 concernant les équipements hertziens et les terminaux de télécommunications et la reconnaissance mutuelle de leur conformité, selon les normes harmonisées suivantes :
  - Protection de la santé (art. 3(1)(a)) : EN 62479:2010
  - Sécurité électrique (art. 3(1)(a)) : EN 60950-1:2006 + A1:2010 + A12:2011
  - Compatibilité électromagnétique (art. 3(1)(b)) : EN 301 489-1 V1.9.1:2011; EN 301 489-3 V1.4.1:2002
  - Spectre radio (art. 3(2)) : EN 300 220-2 V2.4.1:2012

En outre, le produit est conforme à ce qui est prévu par les directives communautaires suivantes :

- Directive 2006/95/CE DU PARLEMENT EUROPÉEN ET DU CONSEIL du 12 décembre 2006 concernant le rapprochement des législations des États membres relatives au matériel électrique destiné à être employé dans certaines limites de tension, selon les normes harmonisées suivantes : EN 60669-2-1:2004 + A1:2009 + A12:2010
- DIRECTIVE 2004/108/CE du PARLEMENT EUROPÉEN ET DU CONSEIL du 15 décembre 2004 relative au rapprochement des législations des États membres concernant la compatibilité électromagnétique et abrogeant la Directive 89/336/CEE, selon les normes harmonisées suivantes : EN 55015:2006 + A1:2007 + A2:2009; EN 61547:2009, EN 61000-3-2:2006 + A1:2009 + A2:2009; EN 61000-3-3:2008

Oderzo, 3 juin 2013



Ing. **Luigi Paro** (Administrateur Délégué)

## ESPAÑOL

### 1 - ADVERTENCIAS Y PRECAUCIONES GENERALES

- La instalación debe ser ejecutada por personal técnico cualificado de conformidad con las leyes, normas eléctricas y normas de seguridad vigentes; por seguridad, es importante seguir estas instrucciones y conservarlas para consultas futuras. • El presente manual contiene importantes disposiciones para la seguridad de la instalación; las instalaciones incorrectas pueden crear graves situaciones de peligro. • Una lectura sólo parcial de estas instrucciones no permitirá al usuario aprovechar al máximo las características de este producto. • Sustituir las lámparas sin falta si están dañadas. • No instalar el regulador de intensidad luminosa cerca de otros objetos que puedan producir calor. En caso de tener que instalar dos o más reguladores en el mismo cuadro eléctrico, dejar entre ellos al menos un espacio libre equivalente a la medida de un módulo. La disipación de calor del regulador es proporcional a la potencia de la carga controlada. • No instalar nunca un interruptor/seccionador entre el regulador y la carga regulada: la lámpara debe estar conectada directamente al regulador.

### 2 - DESCRIPCIÓN DEL PRODUCTO Y DESTINO DE USO

TTDMS es un regulador de intensidad luminosa que permite encender, apagar y regular la intensidad luminosa de lámparas de distintos tipos (incandescentes, fluorescentes, de led, etc.) alimentadas por tensión de red. **Cualquier otro uso es inadecuado y está prohibido.**

El regulador de intensidad luminosa incorpora un receptor de radio que funciona a la frecuencia de 433.92 MHz, con codificación de tipo "rolling code". En un regulador de intensidad luminosa se pueden memorizar hasta 30 transmisores (para identificar los modelos que se pueden utilizar, leer el capítulo 5); cada transmisor se puede memorizar en "Modo I" o en "Modo II", para obtener diferentes comportamientos (leer el capítulo 6). Es posible conectar al regulador una tecla externa con la cual encender, apagar y regular la intensidad luminosa de la lámpara. El regulador se programa con un transmisor de radio memorizado en "Modo I" y con la tecla que se encuentra en el regulador (o con una tecla externa). Los procedimientos de programación son guiados por el parpadeo del led del regulador.

### 3 - CONEXIONES ELÉCTRICAS

#### 3.1 - Advertencias

- La instalación del regulador y de las lámparas y todas las conexiones deben ser eje-

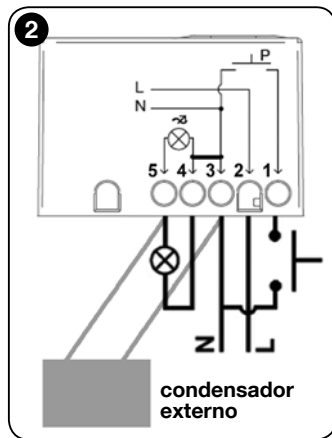
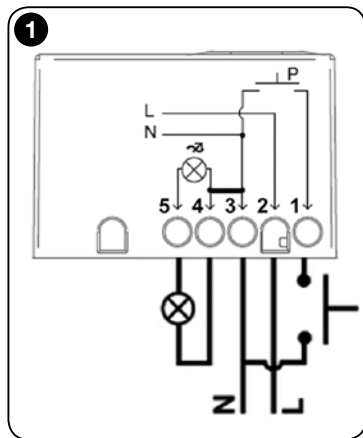
cutadas exclusivamente por personal técnico cualificado respetando estas instrucciones y las normas y leyes existentes en el territorio.

- **El regulador de intensidad luminosa está sujeto a tensión eléctrica peligrosa. Por tanto, la apertura del contenedor del regulador y todas las conexiones deben ejecutarse en ausencia de tensión eléctrica.**
- **No cortar por ningún motivo el cable de la antena; está sujeto a tensión eléctrica peligrosa.**
- La instalación del regulador debe ejecutarse en lo posible dentro de cuadros eléctricos dotados de guía DIN para el sostén de los módulos eléctricos.
- Respetar indefectiblemente las conexiones previstas. Una conexión errónea puede provocar averías o situaciones de peligro.
- De conformidad con las reglas de instalación eléctrica, es necesario prever en la línea eléctrica que alimenta el regulador de intensidad luminosa un dispositivo de desconexión eléctrica que asegure la desconexión completa de la red en las condiciones de la categoría de sobretensión III. Este dispositivo no se suministra con el producto.

### 3.2 - Descripción de las conexiones básicas

Conectar el regulador de intensidad luminosa como se indica en el **fig. 1**. El regulador se debe conectar a una tensión de red a 220-240 Vca, utilizando los bornes 2 (fase "L") y 3 (neutro "N"). La tecla externa, normalmente abierta, se debe conectar entre los bornes 1 (tecla "P") y 3 (neutro "N"). En éstos habrá tensión de red.

**Nota** – Prestar atención especialmente a las interferencias que podría haber en el



neutro de la línea regulada.

Si el regulador está conectado a lámparas incandescentes o halógenas, también debe conectar el condensador suministra (ver **fig. 2**). No utilice el condensador con otros tipos de lámparas.

### 3.3 - Conexión de las fuentes luminosas y límites de empleo

El regulador de intensidad luminosa puede conectarse a diferentes tipos de lámpara, todos con una alimentación de entrada de 230Vca  $\pm 10\%$ , 50Hz. Las lámparas pueden ser incandescentes, halógenas, de led o fluorescentes (las de led y fluorescentes sólo si el fabricante las declara expresamente regulables). En caso de presencia de transformadores electrónicos o transformadores toroidales, éstos deben estar declarados como regulables por el fabricante.

La carga luminotécnica a controlar debe estar conectada a los bornes 4 (neutro "N") y 5 (fase regulada "Z"). **IMPORTANTE** – La conexión simultánea de varias fuentes luminosas a los bornes 4 y 5 es posible pero no recomendable. Prestar atención a las siguientes advertencias generales.

- No es recomendable conectar simultáneamente más de tres lámparas a un regulador de intensidad luminosa.
- Las lámparas conectadas simultáneamente a los terminales de los bornes 4 y 5 deben ser del mismo tipo. La coexistencia de lámparas de led y lámparas fluorescentes -o simplemente de marcas o modelos diferentes- puede causar anomalías y defectos de funcionamiento en el regulador de intensidad luminosa.
- El uso del regulador de intensidad luminosa para regular la luminosidad de lámparas fluorescentes y de led puede reducir la potencia considerablemente. Esto depende en gran medida de la tecnología electrónica de las lámparas. Con estos tipos de lámparas, las funciones del regulador de intensidad luminosa se deben probar en cada caso; ante cualquier duda, contactar con el fabricante del regulador.

## 4 - ADQUISICIÓN DE LAS CARACTERÍSTICAS TÉCNICAS DE LAS LÁMPARAS CONECTADAS

Después de instalar y conectar el regulador, es necesario hacerle reconocer el tipo de lámpara conectada. Los siguientes dos procedimientos permiten memorizar en el regulador todos los parámetros técnicos de las lámparas conectadas, necesarios para el funcionamiento correcto del sistema (valor mínimo y máximo de luminosidad, curvas de iluminación, etc.). De hecho, cada tipo de lámpara adopta un comportamiento específico frente a un mismo nivel de umbral: por ejemplo, al activar un nivel de luminosidad del 10%, una lámpara incandescente se enciende, pero es probable que una lámpara de led no se encienda.

## 4.1 - Adquisición del tipo de lámparas conectadas

El regulador viene programado de fábrica para controlar lámparas incandescentes de 1 a 150 W. **Para seleccionar otro tipo de fuente luminosa:**

- 01.** Pulsar la tecla del regulador 5 segundos: el led se enciende y luego se apaga. Soltar la tecla.
- 02.** Pulsar la tecla del regulador 5 segundos: el led se enciende; esperar otros 5 segundos; el led se apaga; esperar hasta que el led parpadee 3 veces y soltar la tecla.
- 03.** Pulsar la tecla del regulador 5 segundos: el led se enciende; esperar otros 5 segundos; el led se apaga; esperar hasta que el led parpadee 2 veces y soltar la tecla.
- 04.** Elegir en la lista el tipo de lámpara que se desea programar y pulsar lentamente la tecla del regulador el número de veces indicado para el tipo de lámpara elegido:
  - Lámpara incandescente de 150W a 250W = **1** accionamiento de la tecla.
  - Lámpara incandescente de 1W a 150W = **2** accionamientos de la tecla.
  - Lámpara de led = **3** accionamientos de la tecla.
  - Lámpara fluorescente = **4** accionamientos de la tecla.Esperar 10 segundos; el led debe parpadear el número de veces correspondiente a la opción elegida.
- 05.** Pulsar la tecla del regulador 5 segundos: el led se enciende y luego se apaga. Soltar la tecla. Para confirmar el fin del procedimiento, el led parpadea 2 veces.

## 5 - TRANSMISORES COMPATIBLES - FUNCIONAMIENTO

### 5.1 - Transmisores compatibles

El regulador de intensidad luminosa está dotado de tecnología NRC a 433,92 Mhz, con codificación *rolling code*; por eso es compatible con los transmisores de marca Nice que figuran en la **Tabla B**. Consultar el catálogo de productos Nice o el sitio [www.niceforyou.com](http://www.niceforyou.com) para informarse sobre las características de estos transmisores.

### 5.2 - Funcionamiento de los transmisores con “slider”

Además de las teclas de mando tradicionales, estos transmisores tienen una superficie con tecnología capacitiva sensible al toque y al desplazamiento de los dedos. La superficie se comporta como un cursor (“slider”) que permite el encendido/apagado de las lámparas y la regulación dinámica de la luminosidad.

- **Un toque breve** de la “superficie-cursor” con un dedo: envía al regulador un mando de **posicionamiento absoluto**. Ejemplo: si tocamos el slider al 30% de su recorrido total, la luminosidad de la lámpara será del 30%; si tocamos el slider al 0% de

su recorrido total, la luminosidad de la lámpara será del 0%, etc.

- **Un desplazamiento del dedo sobre la “superficie-cursor”** (en ambas direcciones): envía al regulador **una progresión de mandos** para regular la luminosidad de la lámpara de manera dinámica, según la voluntad del usuario. El desplazamiento del dedo envía mandos de **posicionamiento relativo**, es decir que, independientemente del punto inicial, la luminosidad se incrementará (o reducirá) hasta el retiro del dedo. Esto permite regular la luminosidad de la lámpara entre el valor mínimo (indicado en la **Tabla A**) y el máximo, y no entre el 0% y el 100%. Pueden ser necesarios varios desplazamientos del dedo sobre la “superficie-cursor” para regular completamente la luminosidad de la lámpara del mínimo al máximo.
- Si la luminosidad de la lámpara ya está en el máximo, el envío de más mandos para incrementarla no tendrá efecto alguno.
- De la misma manera, si la luminosidad de la lámpara ya está en el mínimo, el envío de más mandos para reducirla no tendrá efecto alguno.
- En algunos modelos de la línea “Era P slider” (ejemplo: P6V, P6SV, etc.), antes de enviar un mando, es necesario seleccionar el regulador al que se desea enviar el mando, pulsando en el transmisor la tecla del canal al cual el regulador se ha asociado durante el procedimiento de memorización.
- Después de enviar un mando, para poder enviar otro es necesario esperar el apagado del led. Si no se cumple esta regla, la luminosidad de la lámpara podría verse comprometida de manera imprevisible.
- Una presión prolongada del dedo sobre la “superficie-cursor” pone el transmisor en stand-by. Para reactivarlo hay que pulsar de nuevo la “superficie-cursor” u otra tecla.

## 6 - IMPORTANTE: LEER ANTES DE MEMORIZAR LOS TRANSMISORES

### 6.1 - Memorización “estándar” y memorización “personalizada” del transmisor

Todos los procedimientos disponibles para memorizar un transmisor se dividen en dos grandes categorías, alternativas entre sí: memorización en **modo estándar** o “**procedimiento en Modo I**”, y memorización en **modo personalizado** o “**procedimiento en Modo II**”.

#### 6.1.1 - Procedimientos en “MODO I”

La ejecución de un procedimiento en modo I **asocia automáticamente los tres mandos del regulador de intensidad luminosa a las primeras tres teclas del transmisor** (si hay más teclas, éstas no se programan) respetando un criterio preestablecido en fábrica (no modificable por el instalador). Al finalizar un procedimiento en “Modo I”, las teclas del transmisor tendrán la siguiente configuración:

- tecla ▲ (o tecla 1): resultará asociada a la función “**Dimmer Up**”.

Tipos de lámpara	Potencia mínima	Potencia máxima	Valor % de luminosidad mínima
Lámparas incandescentes y halógenas con potencia elevada, superior a 150 W	<b>150 Watt</b>	<b>250 Watt</b>	<b>15 %</b>
Lámparas incandescentes y halógenas con potencia reducida, inferior a 150 W ( <b>ajuste de fábrica</b> )	<b>1 Watt</b>	<b>150 Watt</b>	<b>20 %</b>
Lámparas de Led	<b>0 Watt</b>	<b>100 Watt</b>	<b>15 %</b>
Lámparas fluorescentes	<b>0 Watt</b>	<b>100 Watt</b>	<b>30 %</b>

- tecla **■** (o tecla **2**): resultará asociada a la función "**Toggle**".
- tecla **▼** (o tecla **3**): resultará asociada a la función "**Dimmer Down**".
- tecla 4 (y siguientes): no tendrán ninguna función asociada.

**Nota** – Si las teclas del transmisor no tienen símbolos y números, consultar la **fig. 3** para identificarlas.

Durante el uso del transmisor, las funciones asociadas a las teclas se comportarán de la siguiente manera:

• **Dimmer Up:**

- si se pulsa brevemente (menos de un segundo), la luminosidad de la lámpara aumenta en un pequeño porcentaje, salvo que ya esté en el valor máximo programado;
- si se pulsa en forma prolongada (más de un segundo), la luminosidad de la lámpara aumenta hasta alcanzar el valor máximo programado, o hasta cuando se suelta la tecla.

• **Toggle:**

- cada vez que se pulsa esta tecla, el regulador enciende (On) o apaga (Off) la fuente luminosa conectada. El valor de luminosidad asociado a la función "On" será igual al último umbral de luminosidad memorizado en el regulador. El valor se memoriza automáticamente en el regulador cada vez que la lámpara pasa de encendida a apagada (en este caso, el valor memorizado será el de la luminosidad de la lámpara antes del apagado) o bien a los 60 segundos de la última variación de luminosidad (en este caso, se memoriza el último valor de luminosidad).

• **Dimmer Down:**

- si se pulsa brevemente (menos de un segundo), la luminosidad de la lámpara disminuye en un pequeño porcentaje, salvo que ya esté en el valor mínimo programado;
- si se pulsa en forma prolongada (más de un segundo), la luminosidad de la lámpara

ra disminuye hasta alcanzar el valor mínimo programado, o hasta cuando se suelta la tecla.

### 6.1.2 - Procedimientos en "MODO II"

La ejecución de un procedimiento en modo II permite al instalador asociar libremente un mando del regulador a una tecla del transmisor. Al finalizar el procedimiento, para asociar otro mando a otra tecla, será necesario repetir el procedimiento. Los mandos memorizables con un procedimiento en "Modo II" son los siguientes:

• **Dimmer Up > Dimmer Down > Dimmer Up > etc.....** • **Toggle:**

- si se pulsa en forma prolongada (más de un segundo), el regulador aumenta la luminosidad de la lámpara (función "Dimmer Up"). Si se suelta y se vuelve a pulsar en forma prolongada, el regulador reduce la luminosidad de la lámpara (función "Dimmer Down");
- si se pulsa brevemente (menos de un segundo), el regulador enciende (On) o apaga (Off) la fuente luminosa conectada (función "Toggle").

• **Dimmer Up:**

este mando funciona como se explica en el apartado "Modo I".

• **Dimmer Down:**

este mando funciona como se explica en el apartado "Modo I".

• **Toggle:**

este mando funciona como se explica en el apartado "Modo I".

• **Nivel (...) de luminosidad (1 / 2 / 3 / 4):**

cada uno de estos mandos activa un determinado umbral de luminosidad. El ajuste de fábrica del valor asociado a cada nivel se indica en la tabla siguiente:

---

Nivel 1 de luminosidad = umbral al 25 %

---

Nivel 2 de luminosidad = umbral al 50 %

---

Nivel 3 de luminosidad = umbral al 75 %

---

Nivel 4 de luminosidad = umbral al 100 %

El valor del umbral de luminosidad asociado a cada nivel se puede cambiar siguiendo el procedimiento indicado en el capítulo 11. **¡Atención!** – Si el valor programado (siguiendo el procedimiento del capítulo 4) es menor que el valor de "luminosidad mínima", la lámpara tendrá un comportamiento incoherente; por ejemplo, al enviar un mando de encendido, la lámpara no se encenderá.

**Ejemplo:** si el regulador tiene conectada una lámpara de led (valor de "luminosidad mínima" de este tipo de lámpara = 30%, como se indica en la Tabla A) y se envía el mando "Nivel 1 de luminosidad", con umbral al 25% (valor de fábrica), la lámpara permanece apagada porque el 25% es menor que el 30% (valor de luminosidad mínima para este tipo de lámpara).

• **Off:**

este mando efectúa el apagado de la lámpara.

- **On:**  
este mando efectúa el encendido de la lámpara al 100% de su luminosidad.

## 6.2 - Advertencias adicionales sobre la programación

Existen varias técnicas de programación del regulador de intensidad luminosa. Algunas permiten programar el regulador “a distancia”, sin utilizar físicamente la tecla de programación.

- A) Programación ejecutada con otro transmisor ya memorizado en el regulador.** Los procedimientos disponibles para esta técnica se describen en los puntos **8.1 - 8.2 - 8.3 - 11.1 - 12.1**.
- B) Programación ejecutada con la tecla de programación del regulador.** Los procedimientos disponibles para esta técnica se describen en los puntos **9.1 - 9.2 - 11.2 - 12.2**.
- C) Programación ejecutada con una tecla externa conectada al regulador.** Los procedimientos disponibles para esta técnica se describen en los puntos **10.1 - 10.2 - 11.3 - 12.3**.

- El Led N del regulador puede emitir cuatro tipos de señal: **encendido**, **apagado**, **parpadeo largo**, **parpadeo breve**. Los parpadeos tienen la siguiente duración:
  - parpadeo largo: led encendido 1,5 s y apagado 1,5 s.
  - parpadeo breve: led encendido 0,5 s y apagado 0,5 s.
- Durante la ejecución de un procedimiento, el led del regulador emite señales en respuesta a las acciones del instalador. En el mismo instante, la lámpara conectada reproduce las mismas señales del led para amplificar la comunicación visual; esto es útil sobre todo cuando, por exigencias de instalación, el led no queda visible. Sin embargo, hay que tener en cuenta que las señales de la lámpara presentan algunas limitaciones: **a)** además de los parpadeos, el led cambia de color, mientras que la lámpara es monocromática; **b)** al apagarse la lámpara, el regulador memoriza el último valor de luminosidad utilizado. Si este valor es demasiado alto o bajo, durante el procedimiento podría no permitir la reproducción de algunas señales del led. Por lo tanto, antes de ejecutar un procedimiento, se recomienda poner la luminosidad de la lámpara al 50% aproximadamente; **c)** una lámpara fluorescente no garantiza la secuencia correcta de parpadeos.
- Además de las señales correspondientes a los procedimientos, el led emite otras señales genéricas:
  - **6 parpadeos en verde.** Se producen al finalizar un procedimiento de memorización de un transmisor para indicar que la memoria está llena y no ha sido posible memorizar el transmisor.
  - **2 parpadeos en verde.** Se producen en el momento en que se alimenta el regu-

lador para indicar que la memoria está vacía (= no hay transmisores memorizados). Se producen al finalizar un procedimiento de memorización de un transmisor para indicar que la memoria está bloqueada y no ha sido posible memorizar el transmisor.

- **2 parpadeos en rojo.** Se producen durante cualquier procedimiento de programación para indicar que se ha cometido un error.

- **parpadeos en naranja.** Se producen al ejecutarse el punto 01 de un procedimiento de memorización de un transmisor. En ese momento indican que el transmisor aún no se ha memorizado y que el sistema está listo para la memorización.
- Todos los procedimientos de programación tienen un *time out*: al soltar la tecla, quedan 30 segundos para pulsar la tecla siguiente del procedimiento. Transcurrido ese plazo, el regulador de intensidad luminosa sale de la programación y señaliza la anulación del procedimiento mediante dos parpadeos en rojo y el apagado de la fuente luminosa conectada.
- Algunos transmisores tienen varios canales de transmisión (por ejemplo, WM004G, WM006G, P6V, P6SV, etc.), cada uno de los cuales se activa mediante una tecla específica. Durante la memorización de estos transmisores, antes de pulsar las teclas necesarias para el procedimiento, es necesario pulsar la tecla de un canal para asociar el regulador a ese canal (es posible asociar varios reguladores a un mismo canal). En lo sucesivo, durante el uso del transmisor, antes de enviar un mando, será necesario seleccionar el regulador al que se desea enviar el mando, pulsando la tecla del canal correspondiente a ese regulador.
- Las programaciones vía radio son posibles en todos los reguladores que se encuentren en el radio de acción del transmisor. Por eso, antes de ejecutar cualquier procedimiento de programación, es necesario desconectar la alimentación de los reguladores que no se desee programar.
- Es posible memorizar hasta 30 códigos de transmisores, ya sea en “Modo I” o en “Modo II”.
- Para salir voluntariamente de un procedimiento de programación sin concluirlo, pulsar simultáneamente durante 5 segundos las teclas **■** y **▼** del transmisor memorizado en “Modo I”.

## 7 - PROGRAMACIÓN DEL “PRIMER TRANSMISOR” en “Modo I”

Este procedimiento sirve para programar exclusivamente el “Primer Transmisor” y se puede utilizar sólo si la memoria del regulador no tiene ningún transmisor memorizado. Este estado se señala al encendido del regulador con 2 parpadeos largos en verde. Si el regulador no parpadea, hay transmisores memorizados. En este caso es necesario borrar los transmisores de la memoria para poder ejecutar el procedimiento. La memorización se ejecuta en “Modo I”.

- 01.** Desconectar la alimentación eléctrica del regulador; esperar 2 segundos y reco-

nectarla: el led del regulador emite 2 parpadeos largos en verde. **¡Atención!** – Si el regulador no parpadea, el primer transmisor ya está memorizado y no se puede utilizar el procedimiento.

**02.** (en un plazo de 5 segundos) Pulsar la tecla ■ del transmisor al menos 8 segundos; soltarla cuando la lámpara se encienda, a modo de confirmación de la memorización.

**03.** A modo de confirmación, el led del regulador emite 2 breves parpadeos, en verde, al igual que la lámpara conectada.

Si el procedimiento no se ha ejecutado correctamente, la lámpara no se encenderá. Repetir el procedimiento desde el comienzo.

## 8 - PROGRAMACIÓN DE MÁS TRANSMISORES MEDIANTE UN PRIMER TRANSMISOR YA MEMORIZADO

### 8.1 - Programación de “más transmisores” en “Modo I” (mediante un transmisor ya memorizado)

Este procedimiento permite programar más transmisores utilizando un transmisor ya memorizado en “Modo I” con el procedimiento del capítulo 7. El siguiente procedimiento copia exactamente en el nuevo transmisor las funciones existentes en el transmisor original.

**01.** (en el nuevo transmisor) Pulsar la tecla ■ al menos 8 segundos; soltarla (el led del regulador parpadea una vez en rojo).

**02.** (en el transmisor preexistente) Pulsar lentamente 3 veces la tecla ■, siempre que esté memorizado.

**03.** (en el nuevo transmisor) Para terminar el procedimiento, pulsar la tecla ■ al menos 5 segundos y soltarla. Si la memorización se ha hecho efectiva, el led del regulador emite 2 breves parpadeos en verde y la lámpara conectada se enciende aproximadamente al 50% de la intensidad. Si la memorización no se ha hecho efectiva, el led del regulador emite 2 parpadeos en naranja. En este caso, apagar el dispositivo, encenderlo, esperar 150 segundos y repetir el procedimiento desde el comienzo.

### 8.2 - Programación de “más transmisores” en “Modo II” (mediante un transmisor ya memorizado)

Este procedimiento permite programar más transmisores utilizando un transmisor ya memorizado en “Modo I” con el procedimiento del capítulo 7. El procedimiento permite memorizar el nuevo transmisor en “Modo II”.

Antes de comenzar el procedimiento, encender la lámpara, regularla a la luminosidad mínima y apagarla.

**01.** (en el transmisor preexistente) Pulsar la tecla ■ unos 5 segundos, hasta que la lámpara conectada se encienda al máximo de la luminosidad. Soltar la tecla. El led del regulador emite 1 breve parpadeo en verde.

**02.** (en el transmisor preexistente) Pulsar la tecla ■ unos 5 segundos, hasta que la luminosidad de la lámpara conectada baje a aproximadamente el 10%. Soltar la tecla. El led del regulador emite 2 breves parpadeos en verde.

**03.** (en el transmisor preexistente) Elegir en la lista el mando que se desea programar y pulsar lentamente la tecla ■ el número de veces indicado para el mando elegido:

- “Dimmer Up > Dimmer Down > Dimmer Up > etc.....” / “Toggle” (= 1 accionamiento de la tecla ■)
- “Dimmer Up” (= 2 accionamientos de la tecla ■)
- “Dimmer Down” (= 3 accionamientos de la tecla ■)
- “Toggle” (= 4 accionamientos de la tecla ■)
- “Nivel 1” (= 5 accionamientos de la tecla ■)
- “Nivel 2” (= 6 accionamientos de la tecla ■)
- “Nivel 3” (= 7 accionamientos de la tecla ■)
- “Nivel 4” (= 8 accionamientos de la tecla ■)
- “Off” (= 9 accionamientos de la tecla ■)
- “On” (= 10 accionamientos de la tecla ■)

Esperar 10 segundos, hasta que la lámpara se apague por completo; por último, el led emite un número de parpadeos en verde igual al número de accionamientos de la tecla ■, y relativos al mando elegido. **¡Atención!** – es muy importante esperar hasta que la lámpara se apague por completo antes de transmitir un mando con el nuevo transmisor: si la transmisión se produce antes, el transmisor no se memoriza.

**04.** (en el nuevo transmisor) Pulsar la tecla que se desea programar unos 5 segundos, hasta que la lámpara se encienda. Si la operación se ejecuta correctamente, el led del regulador emite 3 breves parpadeos en verde y la lámpara se enciende. Si la lámpara no se enciende, repetir el procedimiento desde el comienzo.

Si se desea memorizar otra tecla del mismo transmisor, o de otro transmisor, repetir el procedimiento desde el comienzo.

### 8.3 - Borrado de la memoria (mediante otro transmisor ya memorizado)

Mediante un transmisor memorizado en “Modo I” es posible borrar total o parcialmente la memoria del regulador.



---

Antes de comenzar el procedimiento, encender la lámpara, regularla a la luminosidad mínima y apagarla.

01. Pulsar la tecla **■** del transmisor unos 5 segundos, hasta que la lámpara conectada se encienda al 100% de la luminosidad. Soltar la tecla. El led del regulador emite 1 breve parpadeo en verde.
02. Pulsar la tecla **▼** del transmisor unos 5 segundos, hasta que la lámpara conectada se encienda al 10% de la luminosidad. Soltar la tecla. El led del regulador emite 2 breves parpadeos en verde.
03. Pulsar la tecla **▲** del transmisor unos 5 segundos, hasta que la lámpara conectada se encienda al 50% de la luminosidad. Soltar la tecla. El led del regulador emite 3 breves parpadeos en verde.
04. Pulsar la tecla **■** del transmisor unos 5 segundos, hasta que la lámpara conectada se encienda al 10% de la luminosidad. Soltar la tecla. El led del regulador emite 4 breves parpadeos en verde.
05. Elegir en la lista aquello que se desee borrar; pulsar la tecla del transmisor indicada en la opción elegida:
  - **borrar sólo los transmisores** (= mantener pulsada la tecla **▲**);
  - **borrar sólo los parámetros** (= mantener pulsada la tecla **■**);
  - **borrar todos los transmisores y parámetros** (= mantener pulsada la tecla **▼**).Esperar (unos 5 segundos) hasta que la lámpara conectada se apague por completo. Soltar la tecla. El led del regulador emite 2 breves parpadeos en verde y la lámpara conectada se apaga. Si la lámpara permanece encendida y el led del regulador emite 2 breves parpadeos en rojo, repetir el procedimiento desde el comienzo.

## 9 - PROGRAMACIÓN DE LOS TRANSMISORES MEDIANTE LA TECLA DEL REGULADOR

### 9.1 - Programación de un transmisor en “Modo II” (mediante la tecla del regulador)

Este procedimiento permite asociar un transmisor al regulador en “Modo II”. Para ejecutar este procedimiento no es necesario tener a disposición un segundo transmisor memorizado en “Modo I”.

---

Antes de comenzar el procedimiento, encender la lámpara, regularla a la luminosidad mínima y apagarla.

01. (*en el regulador*) Mantener pulsada la tecla hasta que el led verde se encienda y se apague por completo; soltar la tecla.
02. (*en el regulador*) Mantener pulsada la tecla hasta que el led verde se encienda y se apague por completo; soltar la tecla.

03. (*en el regulador*) Mantener pulsada la tecla hasta que el led verde se encienda, se apague y emita 5 parpadeos en verde; soltar la tecla.

04. Elegir en la lista la función que se desea programar y pulsar lentamente la tecla del regulador el número de veces indicado para la función elegida:

- “**Dimmer Up > Dimmer Down > Dimmer Up > etc.....**” / “**Toggle**” (= 1 accionamiento de la tecla del regulador)
- “**Dimmer Up**” (= 2 accionamientos de la tecla del regulador)
- “**Dimmer Down**” (= 3 accionamientos de la tecla del regulador)
- / “**Toggle**” (= 4 accionamientos de la tecla del regulador)
- “**Nivel 1**” (= 5 accionamientos de la tecla del regulador)
- “**Nivel 2**” (= 6 accionamientos de la tecla del regulador)
- “**Nivel 3**” (= 7 accionamientos de la tecla del regulador)
- “**Nivel 4**” (= 8 accionamientos de la tecla del regulador)
- / “**Off**” (= 9 accionamientos de la tecla del regulador)
- / “**On**” (= 10 accionamientos de la tecla del regulador)

Esperar hasta que el led emita un número de parpadeos en verde igual al número de accionamientos de la tecla del regulador y relativos a la función elegida.

05. (*en el transmisor*) Pulsar la tecla que se desea programar aproximadamente 5 segundos, hasta que el led emita 3 breves parpadeos en verde y la lámpara se encienda al 50% de su luminosidad. Soltar la tecla.

Si se desea memorizar otra tecla del mismo transmisor, o de otro transmisor, repetir el procedimiento desde el comienzo.

### 9.2 - Borrado de la memoria (con la tecla del regulador)

Con la tecla del regulador es posible borrar total o parcialmente la memoria del regulador.

---

01. Pulsar la tecla del regulador hasta que el led verde se encienda y se apague por completo; soltar la tecla.

02. Pulsar la tecla del regulador hasta que el led verde se encienda, se apague y emita 2 parpadeos en verde; soltar la tecla.

03. Pulsar la tecla del regulador hasta que el led verde se encienda, se apague y emita 5 parpadeos en verde; soltar la tecla.

04. Elegir en la lista aquello que se desee borrar; pulsar lentamente la tecla del regulador el número de veces indicado en la opción elegida:

- **borrar sólo los transmisores** (= 1 accionamiento de la tecla);
- **borrar sólo los parámetros** (= 2 accionamientos de la tecla);
- **borrar todos los transmisores y parámetros** (= 3 accionamientos de la tecla).

Esperar 10 segundos hasta que el led verde emita un número de parpadeos igual al número de accionamientos de la tecla y relativos a lo que se ha decidido borrar.

05. Pulsar la tecla del regulador hasta que el led verde se encienda y se apague;

soltar la tecla. El led emite 2 breves parpadeos para confirmar la eliminación.

## 10 - PROGRAMACIÓN DE LOS TRANSMISORES MEDIANTE UNA TECLA EXTERNA

Es posible conectar al dispositivo una tecla externa con la cual encender, apagar y regular la intensidad luminosa de la lámpara. La misma tecla se podrá utilizar como tecla de programación. Durante la ejecución de los procedimientos, los parpadeos del led son replicados por la lámpara conectada. Esto permite no tener que observar necesariamente el comportamiento del led del regulador. **Importante** – si se utiliza una lámpara fluorescente o una lámpara de led, no está garantizado el parpadeo correcto de éstas respecto de las señales del led en el regulador. Esto depende en gran medida de la tecnología implementada en estas lámparas, que puede variar considerablemente según la marca y el modelo.

### 10.1- Programación de un transmisor en “Modo II” (mediante una tecla externa)

Este procedimiento permite asociar un transmisor al dispositivo en “Modo II”.

Antes de comenzar el procedimiento, encender la lámpara, regularla a la luminosidad mínima y apagarla.

01. Desconectar la alimentación eléctrica al regulador; pulsar y mantener pulsada la tecla externa; reconectar la alimentación al regulador. Esperar hasta que se encienda el led verde y la lámpara conectada se encienda al umbral mínimo de luminosidad; soltar la tecla externa.
02. Pulsar y mantener pulsada la tecla externa; esperar hasta que el led verde se encienda de manera fija y la intensidad luminosa de la lámpara conectada aumente; esperar hasta que el led se apague y la intensidad luminosa de la lámpara disminuya; soltar la tecla externa.
03. Pulsar y mantener pulsada la tecla externa; esperar hasta que el led verde se encienda de manera fija y la intensidad luminosa de la lámpara conectada aumente; esperar hasta que el led se apague y la intensidad luminosa de la lámpara disminuya; soltar la tecla externa.
04. Pulsar y mantener pulsada la tecla externa; esperar hasta que el led verde se encienda y se apague; esperar hasta que la intensidad luminosa de la lámpara aumente y luego disminuya; esperar hasta que el led y la lámpara emitan 2 breves parpadeos; soltar la tecla externa.
05. Elegir en la lista la función que se desea programar y pulsar lentamente la tecla externa el número de veces indicado para la función elegida:
  - “Dimmer Up > Dimmer Down > Dimmer Up > etc.....” • “Toggle” (= 1 accionamiento de la tecla externa)

- “Dimmer Up” (= 2 accionamientos de la tecla externa)
- “Dimmer Down” (= 3 accionamientos de la tecla externa)
- “Toggle” (= 4 accionamientos de la tecla externa)
- “Nivel 1” (= 5 accionamientos de la tecla externa)
- “Nivel 2” (= 6 accionamientos de la tecla externa)
- “Nivel 3” (= 7 accionamientos de la tecla externa)
- “Nivel 4” (= 8 accionamientos de la tecla externa)
- “Off” (= 9 accionamientos de la tecla externa)
- “On” (= 10 accionamientos de la tecla externa)

Esperar hasta que el led verde y la lámpara emitan un número de parpadeos igual al número de accionamientos de la tecla y relativos a la función elegida. Esperar hasta que la lámpara se apague.

06. Pulsar y mantener pulsada la tecla deseada del transmisor a programar; soltarla después del primer parpadeo del led verde (siguen otros 2 parpadeos); la lámpara conectada se enciende al 50% de su luminosidad.

Si se desea memorizar otra tecla del mismo transmisor, o de otro transmisor, repetir el procedimiento desde el comienzo.

### 10.2 - Borrado de la memoria (con una tecla externa)

Con una tecla externa es posible borrar total o parcialmente la memoria del regulador.

Antes de comenzar el procedimiento, encender la lámpara, regularla a la luminosidad mínima y apagarla.

01. Desconectar la alimentación eléctrica al regulador.
02. Pulsar y mantener pulsada la tecla externa, reconectar la alimentación al regulador y esperar hasta que el led verde se encienda y la lámpara alcance el umbral mínimo de luminosidad. Soltar la tecla.
03. Pulsar y mantener pulsada la tecla externa; esperar hasta que el led verde se encienda de manera fija y la intensidad luminosa de la lámpara aumente; esperar hasta que el led se apague y la intensidad luminosa de la lámpara disminuya. Soltar la tecla.
04. Pulsar y mantener pulsada la tecla externa; esperar hasta que el led verde se encienda de manera fija y la intensidad luminosa de la lámpara aumente y luego disminuya; esperar hasta que el led y la lámpara emitan 2 parpadeos. Soltar la tecla.
05. Pulsar y mantener pulsada la tecla externa; esperar hasta que el led verde se encienda y se apague; esperar hasta que la intensidad luminosa de la lámpara aumente y luego disminuya; esperar hasta que el led emita 5 parpadeos en verde. Soltar la tecla.
06. Elegir en la lista aquello que se desee borrar; pulsar lentamente la tecla externa el número de veces indicado en la opción elegida:
  - **borrar sólo los transmisores** (= 1 accionamiento de la tecla externa);



- **borrar sólo los parámetros** (= 2 accionamientos de la tecla externa);
- **borrar todos los transmisores y parámetros** (= 3 accionamientos de la tecla externa).

Esperar 10 segundos hasta que el led verde emita un número de parpadeos igual al número de accionamientos de la tecla externa y relativos a lo que se ha decidido borrar.

- 07.** Pulsar y mantener pulsada la tecla externa; esperar hasta que el led verde se encienda y se apague; soltar la tecla; el led parpadee 2 veces en verde.

A modo de confirmación, el led emite 2 breves parpadeos, en verde, al igual que la lámpara conectada. Al final la lámpara queda apagada.

## 11 - PROGRAMACIÓN DE LOS NIVELES DE LUMINOSIDAD

En el regulador se pueden programar 4 niveles de luminosidad. La configuración de fábrica prevé los siguientes valores de luminosidad por cada nivel:

Nivel 1 = (25% de intensidad luminosa)

Nivel 2 = (50% de intensidad luminosa)

Nivel 3 = (75% de intensidad luminosa)

Nivel 4 = (100% de intensidad luminosa)

Estos niveles se pueden activar sólo si cada uno de ellos se ha memorizado en la tecla de un transmisor con un procedimiento en "Modo II". ¡Atención! - Un transmisor memorizado en "Modo I" no puede activar un nivel de luminosidad preestablecido. Los valores de los 4 niveles se pueden redefinir aplicando uno de los tres procedimientos siguientes.

### 11.1 - Programación de un nuevo valor de luminosidad y memorización en "Modo II" (mediante un transmisor ya memorizado)

Para ejecutar este procedimiento es necesario tener un transmisor ya memorizado en "Modo I". El procedimiento permite reprogramar el valor de luminosidad de un solo nivel; para reprogramar el valor de otro nivel, repetir el procedimiento desde el comienzo.

Antes de comenzar el procedimiento, encender la lámpara, regularla a la luminosidad mínima y apagarla.

- 01.** Pulsar la tecla ■ unos 5 segundos, hasta que la lámpara conectada al regulador se encienda al máximo de la luminosidad y el led del regulador emita 1 breve parpadeo en verde. Soltar la tecla.

- 02.** Pulsar la tecla ▲ unos 5 segundos, hasta que la luminosidad de la lámpara baje a aproximadamente el 10% y el led del regulador emita 2 breves parpadeos en

verde. Soltar la tecla.

- 03.** Utilizar las teclas ▲ y ▼ para regular la luminosidad de la lámpara en el valor deseado. Esperar (unos 10 segundos) hasta que la lámpara se apague.

- 04.** Elegir en la lista el nivel al cual se desee asignar el nuevo valor de luminosidad y ejecutar la acción vinculada a dicho nivel:

• **Nivel 1** (= pulsar la tecla ▲ hasta que el led emita 3 parpadeos en verde; soltar la tecla).

• **Nivel 2** (= pulsar la tecla ■ hasta que el led emita 3 parpadeos en verde; soltar la tecla).

• **Nivel 3** (= pulsar la tecla ▼ hasta que el led emita 3 parpadeos en verde; soltar la tecla).

• **Nivel 4** (= pulsar simultáneamente las teclas ▲ y ▼ hasta que el led emita 3 parpadeos en verde; soltar las teclas).

### 11.2 - Programación de un nuevo valor de luminosidad y memorización en "Modo II" (mediante la tecla del regulador)

Antes de comenzar el procedimiento, encender la lámpara, regularla a la luminosidad mínima y apagarla.

- 01.** Pulsar la tecla del regulador hasta que el led se encienda en verde y se apague por completo; soltar la tecla.

- 02.** Pulsar la tecla del regulador hasta que el led se encienda en verde y se apague por completo; soltar la tecla.

- 03.** Pulsar la tecla del regulador hasta que el led se encienda en verde, se apague y emita 2 parpadeos en verde; soltar la tecla.

- 04.** Regular la luminosidad de la lámpara en el valor deseado utilizando la tecla del regulador de la siguiente manera:

• **primera presión prolongada sobre la tecla:** la luminosidad aumentará hasta que la tecla se suelte.

• **segunda presión prolongada sobre la tecla:** la luminosidad disminuirá hasta que la tecla se suelte.

¡Atención! - El accionamiento breve de la tecla activa la función "Toggle" (On/Off). Alcanzada la intensidad luminosa deseada, esperar (unos 10 segundos) hasta que el led emita 2 parpadeos en verde.

- 05.** Elegir en la lista el nivel al que se desee asignar el nuevo valor de luminosidad y pulsar lentamente la tecla del regulador el número de veces indicado para el nivel elegido:

• **Nivel 1** (= 1 accionamiento de la tecla del regulador);

• **Nivel 2** (= 2 accionamientos de la tecla del regulador);

• **Nivel 3** (= 3 accionamientos de la tecla del regulador);

• **Nivel 4** (= 4 accionamientos de la tecla del regulador).

Esperar 10 segundos hasta que el led verde emita un número de parpadeos igual

al número de accionamientos de la tecla del regulador y relativos al nivel elegido.

- 06.** Pulsar la tecla del regulador hasta que el led se encienda de manera fija en verde y se apague por completo; soltar la tecla. Si la memorización se ha hecho efectiva, el led emite 2 breves parpadeos en verde y la lámpara conectada permanece encendida al valor mínimo de luminosidad.

### 11.3 - Programación de un nuevo valor de luminosidad y memorización en "Modo II" (mediante una tecla externa)

Antes de comenzar el procedimiento, encender la lámpara, regularla a la luminosidad mínima y apagarla.

- 01.** Desconectar la alimentación eléctrica al regulador; pulsar y mantener pulsada la tecla externa; reconectar la alimentación al regulador. Esperar hasta que se encienda el led verde y la lámpara conectada se encienda al umbral mínimo de luminosidad. Soltar la tecla externa.
- 02.** Pulsar y mantener pulsada la tecla externa; esperar hasta que el led verde se encienda de manera fija y la intensidad luminosa de la lámpara conectada aumente; esperar hasta que el led se apague y la intensidad luminosa de la lámpara disminuya. Soltar la tecla externa.
- 03.** Pulsar y mantener pulsada la tecla externa; esperar hasta que el led verde se encienda de manera fija y la intensidad luminosa de la lámpara conectada aumente; esperar hasta que el led se apague y la intensidad luminosa de la lámpara disminuya. Soltar la tecla externa.
- 04.** Pulsar y mantener pulsada la tecla externa; esperar hasta que el led verde se encienda y se apague; esperar hasta que la intensidad luminosa de la lámpara aumente y luego disminuya; esperar hasta que el led (en verde) y la lámpara emitan 2 breves parpadeos. Soltar la tecla externa.
- 05.** Regular la luminosidad de la lámpara en el valor deseado utilizando la tecla externa de la siguiente manera:
- **primera presión prolongada sobre la tecla:** la luminosidad aumentará hasta que la tecla se suelte.
  - **segunda presión prolongada sobre la tecla:** la luminosidad disminuirá hasta que la tecla se suelte.
- ¡Atención!** – El accionamiento breve de la tecla activa la función "Toggle" (On/Off). Alcanzada la intensidad luminosa deseada, esperar (unos 10 segundos) hasta que el led (en verde) y la lámpara emitan 2 parpadeos.
- 06.** Elegir en la lista el nivel al que se desee asignar el nuevo valor de luminosidad y pulsar lentamente la tecla externa el número de veces indicado para el nivel elegido:
- **Nivel 1** (= 1 accionamiento de la tecla externa);
  - **Nivel 2** (= 2 accionamientos de la tecla externa);

- **Nivel 3** (= 3 accionamientos de la tecla externa);

- **Nivel 4** (= 4 accionamientos de la tecla externa).

Esperar unos 10 segundos hasta que el led verde y la lámpara conectada emitan un número de parpadeos igual al número de accionamientos de la tecla externa y relativos al nivel elegido.

- 07.** Pulsar la tecla externa hasta que el led (en verde) y la lámpara conectada se enciendan de manera fija y luego se apaguen por completo; soltar la tecla externa. Si la memorización se ha hecho efectiva, el led emite 2 breves parpadeos en verde y la lámpara conectada permanece encendida al valor mínimo de luminosidad.

## 12 - BLOQUEO Y DESBLOQUEO DE LA MEMORIA

Como se dijo en el capítulo 8, es posible memorizar nuevos transmisores utilizando un transmisor ya memorizado en el regulador. En el momento en que se realice este tipo de programación, si hay otro transmisor Nice con codificación *rolling code* transmitiendo su señal en la zona del regulador, podría existir el riesgo de que este transmisor se memorice en el mismo regulador. Para evitar este problema, es posible bloquear la memoria del regulador mediante uno de los siguientes procedimientos:

### 12.1 - Bloqueo/desbloqueo de la memoria (mediante un transmisor ya memorizado)

Este procedimiento se puede ejecutar exclusivamente con un transmisor memorizado en "Modo I".

Antes de comenzar el procedimiento, encender la lámpara, regularla a la luminosidad mínima y apagarla.

- 01.** Pulsar la tecla **■** del transmisor hasta que el led del regulador emita 1 parpadeo en verde y la lámpara conectada se encienda al máximo de su luminosidad. Soltar la tecla.
- 02.** Pulsar la tecla **▼** del transmisor hasta que el led del regulador emita 2 breves parpadeos en verde y la luminosidad de la lámpara conectada baje a aproximadamente el 10%. Soltar la tecla.
- 03.** Pulsar la tecla **▲** del transmisor hasta que el led del regulador emita 3 breves parpadeos en verde y la luminosidad de la lámpara conectada alcance el 50%. Soltar la tecla.
- 04.** Pulsar la tecla **▲** del transmisor hasta que el led del regulador emita 4 breves parpadeos en verde y la luminosidad de la lámpara conectada baje a aproximadamente el 10%. Soltar la tecla.
- 05.** Elegir en la lista la opción deseada:
- **para bloquear la memoria** (= utilizar la tecla **▲**);
  - **para desbloquear la memoria** (= utilizar la tecla **■**);
- Pulsar la tecla del transmisor indicada en la opción elegida hasta que el led emita

2 parpadeos en verde y luego se apague. Soltar la tecla.

## 12.2 - Bloqueo/desbloqueo de la memoria (con la tecla del regulador)

01. Pulsar la tecla del regulador hasta que el led se encienda en verde y se apague por completo; soltar la tecla.
02. Pulsar la tecla del regulador hasta que el led se encienda en verde, se apague y emita 2 parpadeos en verde; soltar la tecla.
03. Pulsar la tecla del regulador hasta que el led se encienda en verde, se apague y emita 2 parpadeos en verde; soltar la tecla.
04. Elegir en la lista la opción deseada; pulsar lentamente la tecla del regulador el número de veces indicado en la opción elegida:
  - para bloquear la memoria (= 1 accionamiento de la tecla);
  - para desbloquear la memoria (= 2 accionamientos de la tecla).Esperar 10 segundos, hasta que el led emita un número de parpadeos en verde igual al número de accionamientos de la tecla y relativos a la opción elegida.
05. Pulsar la tecla del regulador hasta que el led se encienda en verde y se apague; soltar la tecla. El led emite 2 breves parpadeos en verde para confirmar la ejecución del procedimiento.

## 12.3 - Bloqueo/desbloqueo de la memoria (con una tecla externa)

Antes de comenzar el procedimiento, encender la lámpara, regularla a la luminosidad mínima y apagarla.

01. Desconectar la alimentación eléctrica al regulador; pulsar y mantener pulsada la tecla externa; reconectar la alimentación al regulador. Esperar hasta que se encienda el led verde y la lámpara conectada se encienda al umbral mínimo de luminosidad. Soltar la tecla externa.
02. Pulsar y mantener pulsada la tecla externa; el led se enciende en verde y luego se apaga; la intensidad luminosa de la lámpara conectada aumenta y luego disminuye; el led (en verde) y la lámpara emiten 2 parpadeos. Soltar la tecla externa.
03. Pulsar y mantener pulsada la tecla externa; el led se enciende en verde y luego se apaga; la intensidad luminosa de la lámpara conectada aumenta y luego disminuye; el led (en verde) y la lámpara emiten 2 parpadeos. Soltar la tecla externa.
04. Pulsar la tecla externa el número de veces indicado en la función que se desea seleccionar:
  - para bloquear la memoria (= 1 accionamiento de la tecla);
  - para desbloquear la memoria (= 2 accionamientos de la tecla).

A los 10 segundos del último accionamiento, el led verde y la lámpara emitirán el número de parpadeos correspondiente a la función elegida.

05. Pulsar y mantener pulsada la tecla externa. El led verde se enciende y la intensidad luminosa de la lámpara conectada aumenta; soltar apenas la tecla; el led se apaga y la intensidad luminosa de la lámpara disminuye. A modo de confirmación de la ejecución efectiva del procedimiento, el led (en verde) y la lámpara emiten 2 parpadeos.

## 13 - CARACTERÍSTICAS TÉCNICAS

• **Alimentación:** 230Vca,  $\pm 10\%$  50Hz • **Absorción máxima:** < 500mW en stand-by, excluida la absorción de la carga controlada • **Potencia máxima carga:** 250W / 200VA • **Valor de disipación:** 2,5W/A (estimado) • **Tipo de lámpara (todas con alimentación en entrada de 230 Vca  $\pm 10\%$ , 50Hz):** lámparas incandescentes y halógenas; lámparas de led; lámparas de neón • **Grado IP:** 20 • **Medidas:** 47 x 18 x 32 mm • **Peso:** 30 g

## 14 - ELIMINACIÓN DEL PRODUCTO

• Al final de la vida útil de este producto, las operaciones de desguace deben ser efectuadas por personal experto, al igual que las operaciones de instalación. • Este producto está formado por varios tipos de materiales, algunos de los cuales pueden reciclarse. Infórmese sobre los sistemas de reciclado o de eliminación previstos por las normativas locales vigentes para esta categoría de producto. **¡Atención!** Algunas partes del producto pueden contener sustancias contaminantes o peligrosas que, si se las arroja al medio ambiente, podrían provocar efectos perjudiciales para este último y para la salud humana. Tal como indica el símbolo al lado, está prohibido desechar este producto entre los residuos domésticos. Realizar la "recogida selectiva" para la eliminación, según los métodos previstos por las normativas locales vigentes, o bien entregar el producto al vendedor cuando se compre un nuevo producto equivalente. **¡Atención!** La reglamentación local puede prever sanciones importantes en caso de eliminación ilegal de este producto. • El material de embalaje del producto debe eliminarse de conformidad con la normativa local.



# DECLARACIÓN DE CONFORMIDAD

Declaración de acuerdo con la Directiva 1999/5/CE

**Nota** – El contenido de esta declaración corresponde a lo declarado en el documento oficial depositado en la sede de Nice S.p.a. y, en particular, a su última revisión disponible antes de la impresión de este manual. El presente texto ha sido readaptado por motivos de impresión. No obstante, se puede solicitar una copia de la declaración original a Nice S.p.a. (Treviso) Italia.

Número de declaración: **480/TTDMS** Revisión: **0** Idioma: **ES**

El que suscribe, Luigi Paro, en calidad de Administrador Delegado, declara bajo su propia responsabilidad que el producto: • **Nombre del fabricante:** NICE S.p.A. • **Dirección:** Via Pezza Alta n°13, 31046 Rustignè di Oderzo (TV) Italy • **Tipo de producto:** Regulador de intensidad luminosa para la regulación de luces de hasta 250V / 200VA • **Modelo / Tipo:** TTDMS • **Accesorios:** ninguno

El producto cumple con los requisitos esenciales del artículo 3 de la siguiente directiva comunitaria, según el uso al que está destinado:

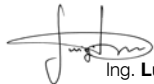
- Directiva 1999/5/CE DEL PARLAMENTO EUROPEO Y DEL CONSEJO del 9 de marzo de 1999 relativa a los equipos radioeléctricos y equipos terminales de comunicación y al recíproco reconocimiento de su conformidad según las siguientes normas armonizadas:
  - Protección de la salud (art. 3(1)(a)): EN 62479:2010
  - Seguridad eléctrica (art. 3(1)(a)): EN 60950-1:2006 + A1:2010 + A12:2011
  - Compatibilidad electromagnética (art. 3(1)(b)): EN 301 489-1 V1.9.1:2011; EN 301 489-3 V1.4.1:2002
  - Espectro radio (art. 3(2)): EN 300 220-2 V2.4.1:2012

Además, el producto responde a las prescripciones de las siguientes directivas comunitarias:

Directiva 2006/95/CE DEL PARLAMENTO EUROPEO Y DEL CONSEJO del 12 de diciembre de 2006 relativa a la asimilación de las leyes de los Estados miembros sobre el material eléctrico destinado a adoptarse dentro de los límites de tensión, según las siguientes normas armonizadas:  
EN 60669-2-1:2004 + A1:2009 + A12:2010

- DIRECTIVA 2004/108/CE DEL PARLAMENTO EUROPEO Y DEL CONSEJO del 15 diciembre de 2004 relativa a la asimilación de las leyes de los Estados miembros sobre la compatibilidad electromagnética y que revoca la directiva 89/336/CEE, según las siguientes normas armonizadas: EN 55015:2006 + A1:2007 + A2:2009; EN 61547:2009, EN 61000-3-2:2006 + A1:2009 + A2:2009; EN 61000-3-3:2008

Oderzo, 3 de junio de 2012



Ing. **Luigi Paro** (Administrador Delegado)

## DEUTSCH

### 1 - ALLGEMEINE HINWEISE UND VORSICHTSMASSNAHMEN

- Die Installation muss durch technisches Fachpersonal unter genauester Einhaltung der gültigen Gesetze, Elektrizitätsnormen und Sicherheitsvorschriften erfolgen; für die Sicherheit der Personen ist es wichtig, diese Anleitung zu befolgen und aufzubewahren, um sie in Zukunft zu Rat ziehen zu können. • Diese Gebrauchsanleitung enthält wichtige Angaben für die Installationssicherheit; nicht korrekte Installationen können sehr gefährliche Situationen hervorrufen. • Eine nur teilweise Lektüre dieser Anleitungen reicht nicht aus, um die Eigenschaften des Produkts bestmöglich auszunutzen zu können. • Die beschädigten Lampen zeitnah austauschen. • Niemals den Dimmer in der Nähe von Gegenständen installieren, die Wärme erzeugen: Falls zwei oder mehr Dimmer im selben Schaltkasten installiert werden müssen, zwischen ihnen mindestens einen Abstand von einem Modulplatz lassen. Die Wärmeabgabe des Dimmers verhält sich proportional zur Leistung der gesteuerten Last. • Niemals einen Schalter/Trennschalter zwischen dem Dimmer und der gedimmten Last installieren: Die Lampe muss direkt an den Dimmer angeschlossen werden.

### 2 - PRODUKTBESCHREIBUNG UND EINSATZZWECK

**TTDMS** ist ein Dimmer, mit dem mit Netzstrom betriebene Lampen verschiedener Typen ein- und ausgeschaltet und ihre Leuchtintensität geregelt werden kann (Glühlampen, Fluoreszenzlampen, LEDs, etc.). **Jede abweichende Verwendung ist als falsch anzusehen und somit verboten.**

In den Dimmer ist ein Funkempfänger integriert, der auf einer Frequenz von 433,92 MHz mittels „Rolling-Code“ empfängt. In einem Dimmer können bis zu 30 Sender gespeichert werden (die verwendbaren Modelle sind in Kapitel 5 beschrieben); jeder Sender kann im „Modus I“ und im „Modus II“ gespeichert werden, um verschiedene Verhalten zu erhalten (siehe Kapitel 6). An den Dimmer kann ein externer Schalter angeschlossen werden, mit dem die Lampe ein- und ausgeschaltet und die Leuchtintensität geregelt werden kann. Die Programmierung des Dimmers erfolgt mit einem Radiosender, der im „Modus I“ gespeichert wird, sowie mit der auf dem Dimmer vorhandenen Taste (oder mit einer externen Taste). Die Programmierungsprozedur wird durch Blinksignale der Dimmer-LED angeleitet.

### 3 - ELEKTRISCHE ANSCHLÜSSE

#### 3.1 - Hinweise!

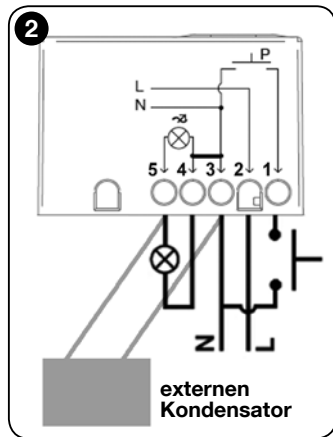
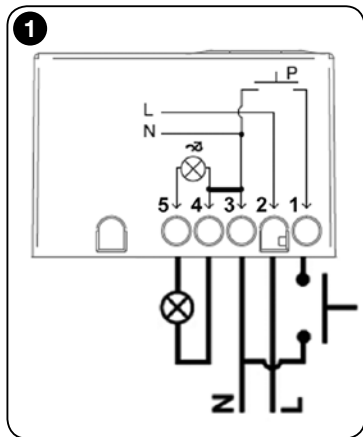
- Die Installation des Dimmers und der Lampen muss durch technisches Fachpersonal

unter genauester Einhaltung der vorliegenden Anweisungen und der vor Ort gültigen Vorschriften und Gesetze erfolgen.

- **Der Dimmer steht unter einer gefährlichen elektrischen Spannung. Deshalb darf die Öffnung der Dimmerdose und alle Anschlüsse nur bei abgetrennter Stromversorgung erfolgen.**
- **In keinem Fall das Antennenkabel durchschneiden: Dieses steht unter gefährlicher elektrischer Spannung.**
- Die Installation des Dimmers sollte bevorzugt innerhalb von Schaltschränken erfolgen, die eine DIN-Führung für die Halterung der elektrischen Module besitzen.
- Halten Sie sich genau an die vorgesehenen Anschlüsse. Ein falscher Anschluss kann Schäden oder Gefahrensituationen verursachen.
- In Übereinstimmung mit den Vorschriften für elektrische Installationen muss in der Stromleitung, die den Dimmer versorgt, eine Trennvorrichtung vorgesehen sein, die unter den Bedingungen der Überspannungskategorie III die vollständige Trennung vom Netz sicherstellt. Diese Vorrichtung wird nicht mit dem Produkt geliefert.

### 3.2 - Beschreibung der Basisanschlüsse

Den Dimmer wie in **Abb. 1** gezeigt anschließen. Dieser muss mit den Klemmen 2 (Phase „L“) und 3 (Neutralleiter „N“) an eine Netzspannung von 220-240 Vac angeschlossen werden. Die eventuell vorhandene externe Taste (normalerweise geöffnet) muss zwischen den Klemmen 1 (Taste „P“) und 3 (Neutralleiter „N“) angeschlossen werden. Auf diesen ist die Netzspannung vorhanden.



**Hinweis** – Achten Sie besonders auf die Störungen, die auf dem Neutralleiter der gedimmten Leitung auftreten können.

Wenn der Dimmer auf Glüh- oder Halogenlampen angeschlossen ist, sie müssen schließen Sie das Kondensator (siehe **Abb. 2**). Verwenden Sie nicht den Kondensator mit anderen Arten von Lampen.

### 3.3 - Anschluss der Leuchtquellen und Betriebsgrenzen

Der Dimmer kann an verschiedene Lampentypen angeschlossen werden, die alle einen Eingangsstrom von 230 Vac  $\pm 10\%$ , 50 Hz benötigen. Folgende Lampentechnologien sind zugelassen: Glühbirnen, Halogenlampen, LEDs und Fluoreszenzlampen (LED- und Fluoreszenz-Lampen nur, wenn sie vom Hersteller ausdrücklich als dimmbar ausgewiesen sind). Wenn elektronische oder Ringkerntransformatoren vorhanden sind, müssen diese vom Hersteller als dimmbar ausgewiesen sein. Die zu steuernde Lichtlast muss an die Klemmen 4 (Neutral „N“) und 5 (gedimmte Phase „L“) angeschlossen werden. **WICHTIG** – Der gleichzeitige Anschluss von mehreren Lichtquellen an den Klemmen 4 und 5 ist möglich, aber nicht zu empfehlen. Im Allgemeinen müssen folgende Hinweise beachtet werden.

- Es ist nicht zu empfehlen, gleichzeitig mehr als drei Lampen an einen Dimmer anzuschließen.
- Wenn gleichzeitig mehrere Lampen an die Klemmen 4 und 5 angeschlossen werden, müssen sie vom selben Typ sein. Wenn LED-Lampen mit Fluoreszenzlampen kombiniert werden – oder auch nur Lampen unterschiedlicher Marken und/oder unterschiedliche Modelle –, kann das zu Funktionsstörungen oder sogar zum Ausfall des Dimmers führen.
- Die Verwendung eines Dimmers zum Regeln der Helligkeit von Fluoreszenz- und LED-Lampen kann die Schaltleistung (auch deutlich) verringern. Tatsächlich hängt diese stark von der Technologie der Lampen ab. Mit diesem Lampentyp müssen die Funktionsweisen des Dimmers regelmäßig getestet werden; im Zweifelsfall wenden Sie sich an den Dimmerhersteller.

## 4 - ERLERNEN DER TECHNISCHEN EIGENSCHAFTEN DER ANGESCHLOSSENEN LAMPEN

Nachdem der Dimmer installiert und angeschlossen wurde, muss man ihn den Typ der angeschlossenen Lampen erlernen lassen. Mit den beiden folgenden Prozeduren können im Dimmer alle technischen Parameter der angeschlossenen Lampen gespeichert werden, die für den korrekten Betrieb des Systems notwendig sind (Mindest- und Maximalhelligkeitswert, Beleuchtungskurven etc.). In der Tag zeigt jeder Lampentyp ein spezifisches Verhalten gegenüber demselben Schwellenwert, mit dem sie gesteuert wird: Zum Beispiel schaltet sich eine Glühbirne ein, wenn ein Helligkeitswert

von 10% eingestellt wird, während sich möglicherweise eine LED nicht einschaltet.

## 4.1 - Erlernen des Typs der angeschlossenen Lampen

Der Dimmer ist werkseitig zum Schalten von Glühlampen zwischen 1 und 150 Watt eingestellt. **Um einen anderen Lampentyp auszuwählen**, folgendermaßen vorgehen.

01. Die Dimmertaste drücken und gedrückt halten: 5 Sekunden warten, bis sich die LED einschaltet und anschließend endgültig ausschaltet. Lassen Sie die Taste dann wieder los.
02. Die Dimmertaste gedrückt halten: 5 Sekunden warten, bis sich die LED einschaltet; weitere 5 Sekunden warten, bis sich die LED ausschaltet, dann die 3 Blinksignale der LED abwarten und die Taste loslassen.
03. Die Dimmertaste gedrückt halten: 5 Sekunden warten, bis sich die LED einschaltet; weitere 5 Sekunden warten, bis sich die LED ausschaltet, dann die 2 Blinksignale der LED abwarten und die Taste loslassen.
04. In der Liste den Lampentyp auswählen, der programmiert werden soll, und langsam die Dimmertaste so viele Male drücken, wie für die gewählte Typologie angegeben wird:
  - **Glühlampe von 150W bis 250W = 1 x die Taste drücken.**
  - **Glühlampe von 1W bis 150W = 2 x die Taste drücken.**
  - **LED-Lampe = 3 x die Taste drücken.**
  - **Fluoreszenz-Lampe = 4 x die Taste drücken.**10 Sekunden warten, bis die LED so oft blinkt, wie es der gewählten Option entspricht.
05. Die Dimmertaste drücken und gedrückt halten: 5 Sekunden warten, bis sich die LED einschaltet und anschließend endgültig ausschaltet. Lassen Sie die Taste dann wieder los. Um das Ende des Vorgangs anzuzeigen, blinkt die LED 2 Mal auf.

## 5 - KOMPATIBLE SENDER UND IHRE FUNKTIONSWEISE

### 5.1 - Kompatible Sender

Der Dimmer ist mit NRC-Technologie mit 433,92 Mhz mit *Rolling-Code*-Kodifizierung ausgestattet; dadurch ist er mit allen Sendern der Marke Nice kompatibel, die in der **Tabelle B** aufgeführt sind. Den Katalog der Nice-Produkte oder die Internetseite [www.niceforyou.com](http://www.niceforyou.com) zu Rate ziehen, um mehr über die Eigenschaften dieser Sender zu erfahren.

### 5.2 - Betrieb der Sender mit „Slider“

Diese Sender haben außer den traditionellen Schalttasten auch eine kapazitive Oberfläche, die auf Berührung und auf Darübergleiten der Finger reagiert. Die Oberfläche verhält sich wie ein Cursor („Slider“), mit dem die Lampen ein- und ausgeschaltet werden können und ihre Helligkeit dynamisch geregelt werden kann.

- **Kurzes Antippen der „Cursor-Oberfläche“:** sendet dem Dimmer einen Befehl zur **absoluten Positionierung**. Beispiel: Durch Antippen des Sliders bei 30 % seiner „gesamten Strecke“, wird die Helligkeit der Lampe auf 30 % eingestellt; wird der Slider bei 0 % seiner „gesamten Strecke“ angetippt, wird die Helligkeit der Lampe auf 0 % eingestellt.
- **Gleiten des Fingers über die „Cursor-Oberfläche“** (in beide Richtungen): Sendet **eine Abfolge von Befehlen** an den Dimmer, der versucht, die Lampenhelligkeit dynamisch zu regeln, indem er der „Absicht des Benutzers folgt“. Das Darübergleiten der Finger sendet Befehle für eine **relative Positionierung**; d.h., unabhängig davon, wo man mit dem Finger startet, wird die Helligkeit erhöht (oder gesenkt), bis der Finger weggenommen wird. Dadurch kann die Helligkeit der Lampe vom Mindestwert (siehe **Tabelle A**) bis zum Höchstwert und nicht von 0% bis 100% geregelt werden. Es kann notwendig sein, mehrmals mit dem Finger über die „Cursor-Oberfläche“ zu gleiten, um die Helligkeit der Lampe komplett vom Mindest- zum Höchstwert zu regeln.
- Wenn sich die Helligkeit der Lampe bereits auf dem Höchstwert befindet, haben weitere Befehle zur Erhöhung der Helligkeit keinen sichtbaren Effekt.
- Entsprechend haben weitere Befehle zum Absenken der Helligkeit keinen sichtbaren Effekt, wenn sich die Helligkeit der Lampe bereits auf dem Mindestwert befindet.

<b>TABELLE A</b>	<b>Mindestleistung</b>	<b>Höchstleistung</b>	<b>Mindesthelligkeitswert in %</b>
Glühlampen und Halogenlampen mit erhöhter Leistung über 150 Watt	<b>150 Watt</b>	<b>250 Watt</b>	<b>15 %</b>
Glühlampen und Halogenlampen mit verringerter Leistung unter 150 Watt ( <b>werkseitige Einstellung</b> )	<b>1 Watt</b>	<b>150 Watt</b>	<b>20 %</b>
LED-Lampen	<b>0 Watt</b>	<b>100 Watt</b>	<b>15 %</b>
Fluoreszenz-Lampen	<b>0 Watt</b>	<b>100 Watt</b>	<b>30 %</b>

- In einigen Modellen der Linie „Era P slider“ (z. B.: P6V, P6SV, etc.) muss vor dem Absenden eines Befehls der Dimmer ausgewählt werden, an den der Befehl geschickt werden soll; dazu muss auf dem Sender die Taste des Kanals gedrückt werden, dem der Dimmer während des Speichervorgangs zugewiesen worden ist.
- Bevor nach dem Absenden eines Befehls ein weiterer gesendet werden kann, muss abgewartet werden, bis sich die LED ausschaltet: Wenn das nicht geschieht, kann sich die Helligkeit der Lampe auf unvorhersehbare Weise ändern.
- Durch längeres Drücken mit dem Finger auf die „Cursor-Oberfläche“ wird der Sender in Stand-by geschaltet. Um ihn wieder einzuschalten, tippen Sie erneut auf die „Cursor-Oberfläche“ oder eine andere Taste.

## 6 - WICHTIG: VOR DEM SPEICHERN DER SENDER SORGFÄLTIG DURCHLESEN

### 6.1 - „Standard“-Speicherung und „personalisierte Speicherung“ des Senders

Alle erhältlichen Prozeduren für die Speicherung eines Senders unterteilen sich in zwei große alternative Kategorien: Die eine Kategorie speichert ihn im Standardmodul, auch **„Prozeduren im Modus I“** genannt, die andere im personalisierten Modul, auch **„Prozeduren im Modus II“** genannt.

#### 6.1.1 - Die Prozeduren im „MODUS I“

Die Ausführung einer zu dieser Modalität gehörenden Prozedur ordnet automatisch die drei Befehle des Dimmers den ersten drei Tasten des Senders zu (weitere eventuell vorhandene Tasten werden nicht programmiert), dabei folgt sie den werkseitig eingestellten Kriterien (vom Installateur nicht änderbar). Zum Ende einer Prozedur im „Modus I“ werden die Sendertasten die folgende Konfiguration besitzen:

- Der Taste **▲** (oder der Taste **1**) wird die Funktion „**Dimmer Up**“ zugeordnet.
- Der Taste **■** (oder der Taste **2**) wird die Funktion „**Toogle**“ zugeordnet.
- Der Taste **▼** (oder der Taste **3**) wird die Funktion „**Dimmer Down**“ zugeordnet.
- Der Taste 4 (und den folgenden), falls vorhanden, ist keine Funktion zugeordnet.

**Hinweis** – Wenn die Tasten Ihres Senders nicht mit Symbolen und Nummern gekennzeichnet sind, entnehmen Sie die Bedeutung der **Abb. 3**.

Während des Gebrauchs des Senders verhalten sich die den Tasten zugeordneten Funktionen folgendermaßen:

#### • **Dimmer Up:**

- Durch kurzes Drücken der Taste (weniger als eine Sekunde) erhöht sich die Helligkeit um einen geringen Prozentsatz, wenn sie nicht bereits auf dem Höchstwert steht;
- Durch längeres Drücken der Taste (länger als eine Sekunde) steigt die Helligkeit der

Lampe weiter an, bis sie den eingestellten Höchstwert erreicht und/oder bis die Taste losgelassen wird.

#### • **Toggle:**

- bei jedem Drücken der Taste schaltet der Dimmer die angeschlossene Leuchtquelle ein (On) oder aus (Off). Der der Funktion „On“ zugeordnete Wert entspricht der zuletzt im Dimmer gespeicherten Helligkeitsgrenze. Der Wert wird automatisch jedes Mal vom Dimmer gespeichert, wenn die Lampe sich ausschaltet (in diesem Fall entspricht der gespeicherte Wert der Helligkeit der Lampe vor dem Ausschalten) oder in jedem Fall nach zirka 60 Sekunden nach der letzten Helligkeitsänderung (in diesem Fall wird der letzte Helligkeitswert gespeichert).

#### • **Dimmer Down:**

- Durch kurzes Drücken der Taste (weniger als eine Sekunde) nimmt die Helligkeit um einen geringen Prozentsatz ab, wenn sie nicht bereits auf dem Mindestwert steht;
- Durch längeres Drücken der Taste (länger als eine Sekunde) nimmt die Helligkeit der Lampe weiter ab, bis sie den eingestellten Mindestwert erreicht und/oder bis die Taste losgelassen wird.

### 6.1.2 - Die Prozeduren im „MODUS II“

Durch die Prozedur dieses Modus kann der Installateur einen gewünschten Befehl, der aus den zur Verfügung stehenden Befehlen des Dimmers gewählt wird, einer gewünschten Taste des Senders frei zuweisen. Nachdem ein „Modus II“-Vorgang ausgeführt wurde, muss erneut der Vorgang wiederholt werden, um einen weiteren Befehl einer weiteren Taste zuzuordnen. Die mit einem Vorgang im „Modus II“ speicherbaren Befehle sind die folgenden:

#### • **Dimmer Up > Dimmer Down > Dimmer Up > etc..... / Toggle:**

- durch längeres Drücken der Taste (länger als eine Sekunde) erhöht der Dimmer die Helligkeit der Lampe („Dimmer Up“-Funktion). Wenn die Taste losgelassen wird und dann erneut länger gedrückt wird, vermindert der Dimmer die Helligkeit der Lampe („Dimmer Down“-Funktion);
- durch ein kurzes Drücken der Taste (weniger als eine Sekunde) schaltet der Dimmer die angeschlossene Lampe (On) oder aus (Off) („Toggle“-Funktion).

#### • **Dimmer Up:**

Dieser Befehl funktioniert wie im Abschnitt „Modus I“ beschrieben.

#### • **Dimmer Down:**

Dieser Befehl funktioniert wie im Abschnitt „Modus I“ beschrieben.

#### • **Toggle:**

Dieser Befehl funktioniert wie im Abschnitt „Modus I“ beschrieben.

#### • **Helligkeitsstufe (...)** (1 / 2 / 3 / 4):

Jede dieser Befehle steht für eine eigene Helligkeitsstufe. Die werkseitige Einstellung des jeder Stufe zugeordneten Werts wird in der folgenden Tabelle aufgeführt:



---

Helligkeitsstufe 1 = Grenze bei 25 %

---

Helligkeitsstufe 2 = Grenze bei 50 %

---

Helligkeitsstufe 3 = Grenze bei 75 %

---

Helligkeitsstufe 4 = Grenze bei 100 %

---

Der Grenzwert, der jeder Helligkeitsstufe zugeordnet ist, kann mit den Prozeduren in Kapitel 11 geändert werden. **Achtung!** - Wenn der Wert **kleiner** als der Wert der „Mindesthelligkeit“ (der mit der Prozedur in Kapitel 4 eingestellt wird), verhält sich die Lampe nicht kohärent; zum Beispiel schaltet sich die Lampe nicht ein, wenn ein Einschaltbefehl gesendet wird.

**Beispiel:** Wenn an den Dimmer eine LED-Lampe angeschlossen ist (Wert der „Mindesthelligkeit“ dieses Lampentyps = 30 %, siehe Tabelle A) und der Befehl „Helligkeitsstufe 1“ gesendet wird, bleibt die Lampe mit einem Grenzwert von 25% (werkseitig eingestellt), ausgeschaltet, weil 25% kleiner als 30% ist (Wert der Mindesthelligkeit für diesen Lampentyp).

- **Off:**  
Dieser Befehl schaltet die Lampe aus.
- **On:**  
Dieser Befehl schaltet die Lampe mit 100% ihrer Helligkeit ein.

## 6.2 - Weitere Hinweise zu den Programmierungen

Im Allgemeinen kann die Programmierung des Dimmers auf verschiedene Weisen ausgeführt werden. Einige davon ermöglichen es, den Dimmer aus der Ferne zu programmieren, ohne die Programmier Taste berühren zu müssen.

- A) Programmierung mit einem anderen, bereits im Dimmer gespeicherten Sender.** Die für diese Technik erhältlichen Prozeduren sind in den Abschnitten **8.1 - 8.2 - 8.3 - 11.1 - 12.1** beschrieben.
- B) Mit der Programmier Taste des Dimmers ausgeführte Programmierung.** Die für diese Technik erhältlichen Prozeduren sind in den Abschnitten **9.1 - 9.2 - 11.2 - 12.2** beschrieben.
- C) Programmierung mit einer an den Dimmer angeschlossenen externen Taste.** Die für diese Technik erhältlichen Prozeduren sind in den Abschnitten **10.1 - 10.2 - 11.3 - 12.3** beschrieben.

- Die LED N des Dimmers kann vier Signale ausgeben: eingeschaltet, ausgeschaltet, langes Blinken, kurzes Blinken. Die Blinksignale haben die folgende Länge:
  - langes Blinken: LED 1,5 s eingeschaltet und 1,5 s ausgeschaltet.
  - kurzes Blinken: LED 0,5 s eingeschaltet und 0,5 s ausgeschaltet.

- Während der Ausführung einer Prozedur sendet die LED auf dem Dimmer Blinksignale als Antwort auf die Aktionen des Installateurs. Im gleichen Moment führt die angeschlossene Lampe dieselben Signale wie die LED aus; das ist vor allem nützlich, wenn aus Installationsgründen die LED nicht sichtbar ist. Trotzdem muss beachtet werden, dass die Signalmeldungen der Lampe von einigen Faktoren eingeschränkt werden können: **a)** außer den Blinksignalen ändert das LED auch die Farbe, um zu kommunizieren, während die Lampe nur eine Farbe besitzt; **b)** beim Ausschalten der Lampe speichert der Dimmer den zuletzt verwendeten Helligkeitswert. Wenn dieser Wert zu hoch oder zu niedrig ist, kann es sein, dass während der Prozedur die Ausführung einiger LED-Signale nicht möglich ist. Deshalb wird vor dem Ausführen der Prozedur immer empfohlen, die Helligkeit der Lampe auf ca. 50 % einzustellen; **c)** eine Fluoreszenzlampe garantiert nicht die korrekte Abfolge der Blinksignale.
- Außer den in den Prozeduren beschriebenen Signalen führt die LED auch andere allgemeine Signalmeldungen aus:
  - **6 grüne Blinksignale.** Sie werden zum Ende einer Speicherprozedur eines Senders angezeigt, um zu melden, dass der Speicher voll ist und dieser Sender nicht gespeichert werden konnte.
  - **2 grüne Blinksignale.** Wenn sie in dem Moment ausgeführt werden, in dem der Dimmer gespeist wird, zeigen sie an, dass der Speicher leer ist (= kein Sender gespeichert). Wenn sie zum Ende einer Speicherprozedur eines Senders ausgeführt werden, zeigen sie an, dass die Sperrung des Speichers aktiv ist und dieser Sender nicht gespeichert werden konnte.
  - **2 rote Blinksignale.** Sie werden während einer beliebigen Programmierungsprozedur ausgeführt, um anzuzeigen, dass ein Fehler gemacht wurde.
  - **orangefarbene Blinksignale.** Sie werden ausgeführt, wenn der Punkt 01 einer Prozedur zur Speicherung eines Senders durchgeführt wird. In diesem Moment zeigen sie an, dass dieser Sender noch nicht gespeichert ist und dass das System zur Speicherung bereit ist.
- Alle Programmierungsprozeduren haben eine *Zeitbegrenzung*: Ab Loslassen der Taste hat man 30 Sekunden Zeit, um die nächste Taste zu drücken, die in der Prozedur vorgesehen ist. Nachdem Ablauf dieser Zeit verlässt der Dimmer die Programmierung und zeigt den Abbruch der Prozedur mit zwei roten Blinksignalen und durch Ausschalten der angeschlossenen Leuchtquelle an.
- Einige Sender haben verschiedene Übertragungskanäle (zum Beispiel WM004G, WM006G, P6V, P6SV, etc.), jeder ist mit einer spezifischen Taste aktivierbar. Während der Speicherung dieser Sender muss vor dem Drücken der von der Prozedur geforderten Tasten die Taste des Kanals gedrückt werden, dem der Dimmer zugeordnet werden soll (einem Kanal können mehrere Dimmer zugeordnet werden). Anschließend muss beim Gebrauch des Senders vor dem Absenden eines Signals der Dimmer ausgewählt werden, der den Befehl empfangen soll, indem die Taste

des Kanals gedrückt wird, der für diesen Dimmer steht.

- Programmierungen über Funk können in allen Dimmern vorgenommen werden, die sich im Aktionsradius des Senders befinden. Deshalb ist es vor dem Ausführen jeder Programmierprozedur nötig, die Dimmer von der Stromversorgung zu trennen, die nicht programmiert werden sollen.
- Es können bis zu 30 Sendercodes gespeichert werden, egal ob diese im „Modus I“ oder im „Modus II“ gespeichert werden.
- Um die Programmierung schnell zu verlassen, ohne sie zu beenden, die Tasten ■ und ▼ des im „Modus I“ gespeicherten Senders gleichzeitig 5 Sekunden lang drücken.

## 7 - PROGRAMMIERUNG DES „ERSTEN SENDERS“ im „Modus I“

Diese Prozedur dient ausschließlich zum Programmieren des „ersten Senders“ und kann nur verwendet werden, wenn im Speicher des Dimmers noch kein Sender vorhanden ist. Dieser Zustand wird beim Einschalten des Dimmers mit 2 langen grünen Blinksignalen angezeigt. Wenn der Dimmer kein Blinksignal ausführt, bedeutet das, dass bereits Sender gespeichert sind. In diesem Fall müssen zunächst die Sender aus dem Speicher gelöscht werden, bevor mit der Prozedur fortgefahren werden kann. Die Speicherung erfolgt im „Modus I“.

- 01.** Die Stromversorgung vom Dimmer trennen; 2 Sekunden warten; die Stromversorgung erneut anschließen: Die LED des Dimmers führt 2 lange grüne Blinksignale aus. **Achtung! – Wenn keine Blinksignale angezeigt werden, bedeutet das, dass der erste Sender bereits gespeichert worden ist und dass diese Prozedur nicht verwendet werden kann.**
- 02.** (*innerhalb von 5 Sekunden*) Die Taste ■ des Sender für mindestens 8 Sekunden gedrückt halten; in dem Moment loslassen, in dem sich die Lampe einschaltet, um die Speicherung zu bestätigen.
- 03.** Als Bestätigung führt die LED des Dimmers 2 kurze grüne Blinksignale durch, wie auch die angeschlossene Lampe.

Wenn die Prozedur nicht erfolgreich war, schaltet sich die Lampe nicht ein. Dann muss die Prozedur wieder von vorne begonnen werden.

## 8 - PROGRAMMIERUNG VON WEITEREN SENDERN DURCH EINEN ERSTEN BEREITS GESPEICHERTEN SENDE R

### 8.1 - Programmierung von „weiteren Sendern“ im „Modus I“ (über einen anderen bereits gespeicherten Sender)

Mit dieser Prozedur können weitere Sender gespeichert werden, indem ein bereits im „Modus I“ gespeicherter Sender mit der Prozedur aus Kapitel 7 verwendet wird. Die folgende Prozedur erstellt eine exakte Kopie der Funktionen des ursprünglichen Senders dar.

- 01.** (*auf dem neuen Sender*) Die Taste ■ mindestens 8 Sekunden gedrückt halten; dann loslassen (die LED des Dimmer führt ein rotes Blinksignal aus).
- 02.** (*auf dem alten Sender*) Die Taste ■ 3 Mal langsam drücken, damit diese gespeichert wird.
- 03.** (*auf dem neuen Sender*) Zum Abschließen der Prozedur die Taste ■ mindestens 5 Sekunden lang gedrückt halten und dann loslassen. Wenn die Speicherung erfolgt ist, führt die LED des Dimmers 2 kurze grüne Blinksignale durch und die angeschlossene Lampe schaltet sich mit zirka 50% der Helligkeit ein. Wenn die Speicherung nicht erfolgt ist, führt die LED des Dimmers 2 orangefarbene Blinksignale aus. In diesem Fall die Vorrichtung ausschalten, wieder einschalten, 150 Sekunden warten und die Prozedur neu beginnen.

### 8.2 - Programmierung von „weiteren Sendern“ im „Modus II“ (über einen anderen bereits gespeicherten Sender)

Mit dieser Prozedur können weitere Sender gespeichert werden, indem ein bereits im „Modus I“ gespeicherter Sender mit der Prozedur aus Kapitel 7 verwendet wird. Die Prozedur speichert den neuen Speicher im „Modus II“.

- Vor Beginn der Prozedur die Lampe einschalten, auf die Mindesthelligkeit einstellen und wieder ausschalten.
- 01.** (*auf dem alten Sender*) Die Taste ■ gedrückt halten; warten (zirka 5 Sekunden), bis sich die angeschlossene Lampe mit maximaler Helligkeit einschaltet. Die Taste dann wieder loslassen. Die LED des Dimmers führt 1 kurzes grünes Blinksignal aus.
  - 02.** (*auf dem alten Sender*) Die Taste ■ gedrückt halten; warten (zirka 5 Sekunden), bis sich die Helligkeit der Lampe auf ca. 10 % verringert. Die Taste dann wieder loslassen. Die LED des Dimmers führt 2 kurze grüne Blinksignale aus.
  - 03.** (*auf dem alten Sender*) aus der folgenden Liste den Befehl auswählen, der programmiert werden soll und langsam die Taste ■ so viele Male drücken, wie im gewählten Befehl angegeben ist:

- „**Dimmer Up** > **Dimmer Down** > **Dimmer Up** > etc.....“ / „**Toggle**“ (= 1 Mal die Taste ■ drücken)
- „**Dimmer Up**“ (= 2 Mal die Taste ■ drücken)
- „**Dimmer Down**“ (= 3 Mal die Taste ■ drücken)
- „**Toggle**“ (= 4 Mal die Taste ■ drücken)
- „**Stufe 1**“ (= 5 Mal die Taste ■ drücken)
- „**Stufe 2**“ (= 6 Mal die Taste ■ drücken)
- „**Stufe 3**“ (= 7 Mal die Taste ■ drücken)
- „**Stufe 4**“ (= 8 Mal die Taste ■ drücken)
- „**Off**“ (= 9 Mal die Taste ■ drücken)
- „**On**“ (= 10 Mal die Taste ■ drücken)

10 Sekunden warten, bis sich die Lampe vollständig ausschaltet; schließlich führt die LED so viele kurze grüne Blinksignale aus, wie die Taste ■ gedrückt wurde und wie es dem gewählten Befehl entspricht. **Achtung!** – Es ist sehr wichtig zu warten, bis sich die Lampe komplett ausschaltet, bevor ein Befehl mit dem neuen Sender übertragen wird; wenn die Übertragung zu früh geschieht, wird der Sender nicht gespeichert.

04. (auf dem neuen Sender) Die Taste, die programmiert werden soll, gedrückt halten; warten (zirka 5 Sekunden), bis sich die Lampe einschaltet. Wenn die Operation erfolgreich war, führt die LED des Dimmer 3 kurze grüne Blinksignale aus und die Lampe schaltet sich ein. Wenn sich die Lampe nicht einschaltet, die Prozedur von vorne beginnen.

Wenn eine weitere Taste desselben Senders oder eines anderen Senders gespeichert werden soll, die Prozedur neu beginnen.

### 8.3 - Löschen des Speichers (mittels eines bereits gespeicherten Senders)

Mittels eines im „Modus I“ gespeicherten Senders kann der Dimmerspeicher ganz oder teilweise gelöscht werden.

Vor Beginn der Prozedur die Lampe einschalten, auf die Mindesthelligkeit einstellen und wieder ausschalten.

01. Die Taste ■ gedrückt halten; warten (zirka 5 Sekunden), bis sich die angeschlossene Lampe mit 100 % Helligkeit einschaltet. Die Taste dann wieder loslassen. Die LED des Dimmers führt 1 kurzes grünes Blinksignal aus.
02. Die Taste ▼ gedrückt halten; warten (zirka 5 Sekunden), bis sich die angeschlossene Lampe mit 10% Helligkeit einschaltet. Die Taste dann wieder loslassen. Die LED des Dimmers führt 2 kurze grüne Blinksignale aus.
03. Die Taste ▲ gedrückt halten; warten (zirka 5 Sekunden), bis sich die angeschlossene Lampe mit 50% Helligkeit einschaltet. Die Taste dann wieder loslassen. Die LED des Dimmers führt 3 kurze grüne Blinksignale aus.

04. Die Taste ■ gedrückt halten; warten (zirka 5 Sekunden), bis sich die angeschlossene Lampe mit 10% Helligkeit einschaltet. Die Taste dann wieder loslassen. Die LED des Dimmers führt 4 kurze grüne Blinksignale aus.

05. In der Liste die zu löschenden Elemente auswählen; dann die Taste des in der gewählten Option angezeigten Senders drücken:

- **nur die Sender löschen** (= die Taste ▲ gedrückt halten);
- **nur die Parameter löschen** (= die Taste ■ gedrückt halten);
- **alle Sender und Parameter löschen** (= die Taste ▼ gedrückt halten).

Warten (zirka 5 Sekunden), bis die angeschlossene Lampe sich komplett ausschaltet. Die Taste dann wieder loslassen. Die LED des Dimmers führt 2 kurze grüne Blinksignale aus und die angeschlossene Lampe schaltet sich aus. Wenn die Lampe eingeschaltet bleibt und die LED des Dimmers 2 kurze rote Blinksignale anzeigt, die Prozedur von vorne beginnen.

## 9 - PROGRAMMIERUNG DES SENDERS MITTELS DIMMERTASTE

### 9.1 - Programmierung eines Senders im „Modus II“ (mittels Dimmertaste)

Mit dieser Prozedur kann dem Dimmer ein Sender im „Modus II“ zugeordnet werden. Für diese Prozedur muss kein zweiter im „Modus I“ gespeicherter Sender zur Verfügung stehen.

Vor Beginn der Prozedur die Lampe einschalten, auf die Mindesthelligkeit einstellen und wieder ausschalten.

01. (auf dem Dimmer) Die Taste gedrückt halten; warten, bis sich die grüne LED einschaltet und komplett ausschaltet; dann die Taste loslassen.
02. (auf dem Dimmer) Die Taste gedrückt halten; warten, bis sich die grüne LED einschaltet und komplett ausschaltet; dann die Taste loslassen.
03. (auf dem Dimmer) Die Taste gedrückt halten; warten, bis sich die grüne LED einschaltet und wieder ausschaltet und anschließend 5 grüne Blinksignale ausführt; dann die Taste loslassen.
04. Im der Liste die Funktion auswählen, der programmiert werden soll und langsam die Dimmertaste so viele Male drücken, wie für die gewählte Funktion angegeben wird:
- „**Dimmer Up** > **Dimmer Down** > **Dimmer Up** > etc.....“ / „**Toggle**“ (= 1 Mal die Taste des Dimmers drücken)
  - „**Dimmer Up**“ (= 2 Mal die Taste des Dimmers drücken)
  - „**Dimmer Down**“ (= 3 Mal die Taste des Dimmers drücken)
  - „**Toggle**“ (= 4 Mal die Taste des Dimmers drücken)
  - „**Stufe 1**“ (= 5 Mal die Taste des Dimmers drücken)
  - „**Stufe 2**“ (= 6 Mal die Taste des Dimmers drücken)

- „**Stufe 3**“ (= 7 Mal die Taste des Dimmers drücken)
- „**Stufe 4**“ (= 8 Mal die Taste des Dimmers drücken)
- „**Off**“ (= 9 Mal die Taste des Dimmers drücken)
- „**On**“ (= 10 Mal die Taste des Dimmers drücken)

Warten, bis die LED so oft kurze grüne Blinksignale ausführt, wie die Taste des Dimmers gedrückt wird und wie es die gewählte Funktion vorsieht.

**05.** (auf dem Sender) Die Taste, die programmiert werden soll gedrückt halten; warten (zirka 5 Sekunden), bis die LED 3 kurze grüne Blinksignale ausführt und sich die angeschlossene Lampe mit 50% ihrer Helligkeit einschaltet. Die Taste dann wieder loslassen.

Wenn eine weitere Taste desselben Senders oder eines anderen Senders gespeichert werden soll, die Prozedur neu beginnen.

## 9.2 - Löschen des Speichers (mittels Dimmertaste)

Mittels der Taste auf dem Dimmer kann der Dimmerspeicher ganz oder teilweise gelöscht werden.

- 01.** Die Taste des Dimmers gedrückt halten; warten, bis sich die grüne LED einschaltet und komplett ausschaltet; schließlich die Taste loslassen.
- 02.** Die Taste des Dimmers gedrückt halten; warten, bis sich die grüne LED einschaltet und ausschaltet und schließlich 2 grüne Blinksignale ausführt; schließlich die Taste loslassen.
- 03.** Die Taste des Dimmers gedrückt halten; warten, bis sich die grüne LED einschaltet und ausschaltet und schließlich 5 grüne Blinksignale ausführt; schließlich die Taste loslassen.
- 04.** In der Liste das Element auswählen, das gelöscht werden soll und langsam die Dimmertaste so viele Male drücken, wie für die gewählte Option angegeben wird:
  - **nur die Sender löschen** (= 1 Mal die Taste drücken);
  - **nur die Parameter löschen** (= 2 Mal die Taste drücken);
  - **alle Sender und Parameter löschen** (= 3 Mal die Taste drücken).
 10 Sekunden warten, bis die grüne LED so oft blinkt, wie die Taste gedrückt wurde und wie es dem zu löschenden Element entspricht.
- 05.** Die Dimmertaste gedrückt halten; warten, bis sich die grüne LED einschaltet und ausschaltet und anschließend die Taste loslassen: die LED führt 2 kurze farbige Blinksignale aus, um den Löschvorgang zu bestätigen.

## 10 - PROGRAMMIERUNG DER SENDER MITTELS EXTERNER TASTE

An das Gerät kann eine externe Taste angeschlossen werden, um das Einschalten, das Ausschalten und das Dimmen der Lampe zu steuern. Dieselbe Taste kann auch

als Programmierertaste verwendet werden. Während der Ausführung der Prozeduren werden die Blinksignale von den angeschlossenen Lampen wiederholt. Dadurch muss das Verhalten der LED auf dem Dimmer nicht zwangsläufig kontrolliert werden.

**Wichtig** – Falls eine Fluoreszenzlampe oder eine LED verwendet wird, ist nicht garantiert, dass diese im Vergleich zu den Signalen der Dimmer-LEDs korrekt blinken. Das hängt von der in diesen Lampen verwendeten Technologie ab, die je nach Marke und Modell stark variieren kann.

### 10.1 - Programmierung eines Senders im „Modus II“ (mittels externer Taste)

Mit dieser Prozedur kann dem Gerät ein Sender im „Modus II“ zugeordnet werden.

Vor Beginn der Prozedur die Lampe einschalten, auf die Mindesthelligkeit einstellen und wieder ausschalten.

- 01.** Den Dimmer von der Stromversorgung trennen; den externen Schalter gedrückt halten; dann den Dimmer wieder an die Stromversorgung anschließen. Warten, bis sich die grüne LED einschaltet und sich die angeschlossene Lampe mit Mindestbeleuchtung einschaltet; dann die externe Taste loslassen.
- 02.** Die externe Taste drücken und gedrückt halten; warten, bis die grüne LED ständig leuchtet und bis die Lichtintensität der angeschlossenen Lampe angestiegen ist; dann warten, bis sich die LED ausschaltet und sich die Lichtintensität der Lampe verringert; schließlich die externe Taste loslassen.
- 03.** Die externe Taste drücken und gedrückt halten; warten, bis die grüne LED ständig leuchtet und bis die Lichtintensität der angeschlossenen Lampe angestiegen ist; dann warten, bis sich die LED ausschaltet und sich die Lichtintensität der Lampe verringert; schließlich die externe Taste loslassen.
- 04.** Die externe Taste gedrückt halten; warten, bis sich die grüne LED ein- und wieder ausgeschaltet hat; warten, bis die Helligkeit der Lampe zu- und wieder abgenommen hat; warten, dass die LED und die Lampe 2 Mal kurz blinken und dann die externe Taste loslassen.
- 05.** Im der Liste die Funktion auswählen, die programmiert werden soll und langsam die externe Taste so viele Male drücken, wie für die gewählte Funktion angegeben wird:
  - „**Dimmer Up > Dimmer Down > Dimmer Up > etc.....**“ / „**Toggle**“ (= 1 Mal die externe Taste drücken)
  - „**Dimmer Up**“ (= 2 Mal die externe Taste drücken)
  - „**Dimmer Down**“ (= 3 Mal die externe Taste drücken)
  - „**Toggle**“ (= 4 Mal die externe Taste drücken)
  - „**Stufe 1**“ (= 5 Mal die externe Taste drücken)
  - „**Stufe 2**“ (= 6 Mal die externe Taste drücken)
  - „**Stufe 3**“ (= 7 Mal die externe Taste drücken)

- „**Stufe 4**“ (= **8** Mal die externe Taste drücken)
- „**Off**“ (= **9** Mal die externe Taste drücken)
- „**On**“ (= **10** Mal die externe Taste drücken)

Warten, bis die grüne LED und die Lampe so oft blinken, wie die Taste gedrückt wird und wie es der gewählten Funktion entspricht. Danach warten, bis sich die Lampe ausschaltet.

- 06.** Die gewünschte Taste des zu programmierenden Senders gedrückt halten; die Taste nach dem ersten Blinken der grünen LED loslassen (danach folgen 2 weitere Blinksignale); die angeschlossene Lampe schaltet sich mit 50 % ihrer Helligkeit ein.

Wenn eine weitere Taste desselben Senders oder eines anderen Senders gespeichert werden soll, die Prozedur neu beginnen.

## 10.2 - Löschen des Speichers (mittels externer Taste)

Mittels der externen Taste kann der Dimmerspeicher ganz oder teilweise gelöscht werden.

Vor Beginn der Prozedur die Lampe einschalten, auf die Mindesthelligkeit einstellen und wieder ausschalten.

- 01.** Den Dimmer von der Stromversorgung trennen.
- 02.** Die Dimmertaste gedrückt halten; dann den Dimmer erneut an die Stromversorgung anschließen und warten, bis sich die grüne LED einschaltet und die Lampe die Mindesthelligkeit erreicht. Dann die Taste wieder loslassen.
- 03.** Die externe Taste gedrückt halten; warten, bis die LED konstant grün leuchtet und die Helligkeit der Lampe ansteigt; warten, bis sich die LED ausschaltet und die Helligkeit der Lampe abnimmt. Dann die Taste wieder loslassen.
- 04.** Die externe Taste gedrückt halten; warten, bis die LED konstant grün leuchtet und die Helligkeit der Lampe ansteigt und danach wieder abnimmt; warten, bis die LED und die Lampen 2 Mal blinken. Dann die Taste wieder loslassen.
- 05.** Die externe Taste gedrückt halten; warten, bis die LED konstant grün leuchtet und sich wieder ausschaltet; warten, bis die Helligkeit der Lampe ansteigt und danach wieder abnimmt; warten, bis die LED 5 Mal grün blinkt. Dann die Taste wieder loslassen.
- 06.** In der Liste das Element auswählen, das gelöscht werden soll und langsam die externe Taste so viele Male drücken, wie für die gewählte Option angegeben wird:
- **nur die Sender löschen** (= **1** Mal die externe Taste drücken);
  - **nur die Parameter löschen** (= **2** Mal die externe Taste drücken);
  - **alle Sender und Parameter löschen** (= **3** Mal die externe Taste drücken).
- 10 Sekunden warten, bis die grüne LED so oft blinkt, wie die externe Taste gedrückt wurde und wie es dem zu löschenden Element entspricht.
- 07.** Die externe Taste gedrückt halten; warten, bis die LED konstant grün leuchtet

und sich wieder ausschaltet; dann die Taste loslassen und warten, bis die LED 2 Mal grün blinkt.

Als Bestätigung führt die LED zwei grüne Blinksignale aus und die angeschlossene Lampe blinkt 2 Mal kurz. Schließlich bleibt die Lampe ausgeschaltet.

## 11 - PROGRAMMIERUNG DER HELLIGKEITSSTUFEN

Im Dimmer können 4 Helligkeitsstufen programmiert werden. Die werkseitige Konfiguration sieht die folgenden Helligkeitswerte für jede Stufe vor:

Stufe **1** = (**25%** Helligkeit)

Stufe **2** = (**50%** Helligkeit)

Stufe **3** = (**75%** Helligkeit)

Stufe **4** = (**100%** Helligkeit)

Diese Stufen können nur aufgerufen werden, wenn jede in der Taste eines Senders mit einer Prozedur im „Modus II“ gespeichert wird. **Achtung!** – Ein Sender, der im „Modus I“ gespeichert wurde, ist nicht in der Lage, den voreingestellten Helligkeitswert aufzurufen. Die Werte der 4 Stufen können durch eine der drei folgenden Prozeduren neu bestimmt werden.

### 11.1 - Einen neuen Helligkeitswert einstellen und diesen im „Modus II“ speichern (mittels eines anderen, bereits gespeicherten Senders)

Diese Prozedur kann nur mit bereits im „Modus I“ gespeicherten Sender ausgeführt werden. Die Prozedur stellt den Helligkeitswert einer einzigen Stufe neu ein; um den Wert einer anderen Stufe neu einzustellen, die Prozedur von vorne beginnen.

Vor Beginn der Prozedur die Lampe einschalten, auf die Mindesthelligkeit einstellen und wieder ausschalten.

- 01.** Die Taste **■** drücken und gedrückt halten; warten (zirka 5 Sekunden), bis sich die an den Dimmer angeschlossene Lampe mit maximaler Helligkeit einschaltet und/oder die LED auf dem Dimmer einmal kurz grün blinkt. Die Taste dann wieder loslassen.
- 02.** Die Taste **▲** drücken und gedrückt halten; warten (zirka 5 Sekunden), bis sich die Helligkeit der Lampe auf 10 % reduziert und/oder die LED auf dem Dimmer 2 Mal kurz grün blinkt. Die Taste dann wieder loslassen.
- 03.** Die Tasten **▲** und **▼** verwenden, um die Helligkeit der Lampe auf den gewünschten Wert einzustellen. Dann abwarten (zirka 10 Sekunden), bis sich die angeschlossene Lampe ausschaltet.
- 04.** In der Liste die Stufe auswählen, der der neue Helligkeitswert zugeordnet werden soll und die mit dieser Stufe verbundene Aktion ausführen:
- **Stufe 1** (= die Taste **▲** drücken und gedrückt halten; warten, bis die LED 3 Mal grün blinkt; dann die Taste loslassen).

- **Stufe 2** (= die Taste ■ drücken und gedrückt halten; warten, bis die LED 3 Mal grün blinkt; dann die Taste loslassen).
- **Stufe 3** (= die Taste ▼ drücken und gedrückt halten; warten, bis die LED 3 Mal grün blinkt; dann die Taste loslassen).
- **Stufe 4:** (= gleichzeitig die Tasten ▲ und ▼ gedrückt halten; warten, bis die LED 3 Mal grün blinkt; dann die Tasten loslassen).

## 11.2 - Einen neuen Helligkeitswert einstellen und diesen im „Modus II“ speichern (mittels der Taste auf dem Dimmer)

Vor Beginn der Prozedur die Lampe einschalten, auf die Mindesthelligkeit einstellen und wieder ausschalten.

01. Die Taste des Dimmers gedrückt halten; warten, bis sich die LED mit grünem Licht einschaltet und komplett ausschaltet; dann die Taste loslassen.
02. Die Taste des Dimmers gedrückt halten; warten, bis sich die LED mit grünem Licht einschaltet und komplett ausschaltet; dann die Taste loslassen.
03. Die Taste des Dimmers gedrückt halten; warten, bis sich die grüne LED einschaltet und ausschaltet und schließlich 2 grüne Blinksignale ausführt; dann die Taste loslassen.
04. Die Helligkeit der Lampe mit der Dimmertaste folgendermaßen auf den gewünschten Wert einstellen:
  - **erstes längeres Drücken der Taste:** Erhöht die Helligkeit, bis die Taste losgelassen wird.
  - **zweites längeres Drücken der Taste:** Verringert die Helligkeit, bis die Taste losgelassen wird.

**Achtung!** – Durch kurzes Drücken der Taste wird die Funktion „Toggle“ (On/Off) aktiviert.  
Nach Erreichen der gewünschten Helligkeit (zirka 10 Sekunden) warten, bis die LED 2 grüne Blinksignale ausgeführt hat.
05. Im der Liste die Stufe auswählen, der der neue Helligkeitswert zugeordnet werden soll und langsam die Dimmertaste so viele Male drücken, wie für die gewählte Stufe angegeben wird:
  - **Stufe 1** (= 1 Mal die Taste des Dimmers drücken);
  - **Stufe 2** (= 2 Mal die Taste des Dimmers drücken);
  - **Stufe 3** (= 3 Mal die Taste des Dimmers drücken);
  - **Stufe 4** (= 4 Mal die Taste des Dimmers drücken).

10 Sekunden warten, bis die grüne LED so oft blinkt, wie die Dimmertaste gedrückt wurde und wie es der gewählten Stufe entspricht.
06. Die Taste des Dimmers gedrückt halten; warten, bis sich die LED mit konstantem grünem Licht einschaltet und sich danach komplett ausschaltet; dann die Taste loslassen. Um die erfolgte Speicherung zu bestätigen, führt die LED 2

kurze grüne Blinksignale aus und die angeschlossene Lampe schaltet sich mit dem Mindesthelligkeitswert ein.

## 11.3 - Einen neuen Helligkeitswert einstellen und diesen im „Modus II“ speichern (mittels einer externen Taste)

Vor Beginn der Prozedur die Lampe einschalten, auf die Mindesthelligkeit einstellen und wieder ausschalten.

01. Den Dimmer von der Stromversorgung trennen; den externen Schalter gedrückt halten; dann den Dimmer wieder an die Stromversorgung anschließen. Warten, bis sich die grüne LED einschaltet und sich die angeschlossene Lampe mit Mindestbeleuchtung einschaltet. Dann die externe Taste loslassen.
02. Die externe Taste drücken und gedrückt halten; warten, bis die grüne LED ständig leuchtet und bis die Lichtintensität der angeschlossenen Lampe angestiegen ist; dann warten, bis sich die LED ausschaltet und sich die Lichtintensität der Lampe verringert. Dann die externe Taste loslassen.
03. Die externe Taste drücken und gedrückt halten; warten, bis die grüne LED ständig leuchtet und bis die Lichtintensität der angeschlossenen Lampe angestiegen ist; dann warten, bis sich die LED ausschaltet und sich die Lichtintensität der Lampe verringert. Dann die externe Taste loslassen.
04. Die externe Taste gedrückt halten; warten, bis sich die grüne LED ein- und wieder ausgeschaltet hat; abwarten, bis die Helligkeit der Lampe zu- und wieder abgenommen hat; dann warten, bis die LED (grün) und die Lampe 2 Mal kurz blinken. Dann die externe Taste loslassen.
05. Die Helligkeit der Lampe mit der externen Taste folgendermaßen auf den gewünschten Wert einstellen:
  - **erstes längeres Drücken der Taste:** Erhöht die Helligkeit, bis die Taste losgelassen wird.
  - **zweites längeres Drücken der Taste:** Verringert die Helligkeit, bis die Taste losgelassen wird.

**Achtung!** – Durch kurzes Drücken der Taste wird die Funktion „Toggle“ (On/Off) aktiviert.  
Nach Erreichen der gewünschten Helligkeit zirka 10 Sekunden warten, bis die LED (grün) und die Lampe 2 Blinksignale ausgeführt haben.
06. Im der Liste die Stufe auswählen, der der neue Helligkeitswert zugeordnet werden soll und langsam die externe Taste so viele Male drücken, wie für die gewählte Stufe angegeben wird:
  - **Stufe 1** (= 1 Mal die externe Taste drücken);
  - **Stufe 2** (= 2 Mal die externe Taste drücken);
  - **Stufe 3** (= 3 Mal die externe Taste drücken);
  - **Stufe 4** (= 4 Mal die externe Taste drücken).



Zirka 10 Sekunden warten, bis die grüne LED und die angeschlossene Lampe so oft blinken, wie die externe Taste gedrückt wird und wie es der gewählten Stufe entspricht.

- 07.** Die externe Taste gedrückt halten; warten, bis die grüne LED und die angeschlossene Lampe konstant leuchten und sich dann komplett ausschalten; dann die externe Taste loslassen.

Wenn die Speicherung erfolgt ist, führt die LED des Dimmers 2 kurze grüne Blinksignale durch und die angeschlossene Lampe schaltet sich mit dem Mindesthelligkeitswert ein.

## 12 - SPERREN UND ENTPERREN DES SPEICHERS

Wie im Kapitel 8 erwähnt, können neue Sender gespeichert werden, indem bereits im Dimmer gespeicherte Sender genutzt werden. Wenn in dem Moment, in dem diese Art von Programmierung erfolgt, ein anderer Nice-Sender mit *Rolling-Code* sein Signal in der Nähe des Dimmers sendet, kann das Risiko bestehen, dass dieser Sender in demselben Dimmer gespeichert wird. Um dieses Problem zu verhindern, kann der Speicher des Dimmer mit einer der folgenden Prozeduren gesperrt werden.

### 12.1 - Sperren/Entsperren des Speichers (mittels eines bereits gespeicherten Senders)

Diese Prozedur kann nur mit im „Modus I“ gespeicherten Sender ausgeführt werden.

Vor Beginn der Prozedur die Lampe einschalten, auf die Mindesthelligkeit einstellen und wieder ausschalten.

- 01.** Die Taste **■** des Senders gedrückt halten; warten, bis die LED des Dimmers 1 grünes Blinksignale ausführt und die angeschlossene Lampe sich mit maximaler Helligkeit einschaltet. Die Taste dann wieder loslassen.
- 02.** Die Taste **▼** des Senders gedrückt halten; warten, bis die LED des Dimmers 2 kurze grüne Blinksignale ausführt und die Helligkeit der angeschlossenen Lampe auf 10% sinkt. Die Taste dann wieder loslassen.
- 03.** Die Taste **▲** des Senders gedrückt halten; warten, bis die LED des Dimmers 3 kurze grüne Blinksignale ausführt und die Helligkeit der angeschlossenen Lampe auf 50% steigt. Die Taste dann wieder loslassen.
- 04.** Die Taste **▲** des Senders gedrückt halten; warten, bis die LED des Dimmers 4 kurze grüne Blinksignale ausführt und die Helligkeit der angeschlossenen Lampe auf 10% sinkt. Die Taste dann wieder loslassen.
- 05.** In der Liste die gewünschte Option auswählen:
- zum Sperren des Speichers (= die Taste **▲** verwenden);
  - zum Entsperren des Speichers (= die Taste **■** verwenden).

Dann die Taste des Senders, die in der gewählten Option angegeben ist, ge-

drückt halten; warten, bis die LED 2 grüne Blinksignale ausführt und sich ausschaltet. Die Taste dann wieder loslassen.

### 12.2 - Sperren/Entsperren des Speichers (mittels Dimmertaste)

- 01.** Die Taste des Dimmers gedrückt halten; warten, bis sich die LED mit grünem Licht einschaltet und komplett ausschaltet; dann die Taste loslassen.
- 02.** Die Taste des Dimmers gedrückt halten; warten, bis sich die LED mit grünem Licht einschaltet, ausschaltet und schließlich 2 grüne Blinksignale ausführt; dann die Taste loslassen.
- 03.** Die Taste des Dimmers gedrückt halten; warten, bis sich die LED mit grünem Licht einschaltet, ausschaltet und schließlich 2 grüne Blinksignale ausführt; dann die Taste loslassen.
- 04.** In der Liste die gewünschte Option auswählen; dann langsam die Dimmertaste so viele Male drücken, wie für die gewählte Option angegeben wird:
- zum Sperren des Speichers (= 1 Mal die Taste drücken);
  - zum Entsperren des Speichers (= 2 Mal die Taste drücken).

10 Sekunden warten, bis die LED so oft kurze grüne Blinksignale ausführt, wie die Taste des Dimmers gedrückt wird und wie es die gewählte Funktion vorsieht.

- 05.** Die Dimmertaste gedrückt halten; warten, bis sich die grüne LED einschaltet und ausschaltet und anschließend die Taste loslassen: die LED führt 2 kurze grüne Blinksignale aus, um den Löschvorgang zu bestätigen.

### 12.3 - Sperren/Entsperren des Speichers (mittels externer Taste)

Vor Beginn der Prozedur die Lampe einschalten, auf die Mindesthelligkeit einstellen und wieder ausschalten.

- 01.** Den Dimmer von der Stromversorgung trennen; den externen Schalter gedrückt halten; dann den Dimmer wieder an die Stromversorgung anschließen. Warten, bis sich die grüne LED einschaltet und sich die angeschlossene Lampe mit Mindestbeleuchtung einschaltet. Dann die externe Taste loslassen.
- 02.** Die externe Taste gedrückt halten; warten, bis die LED konstant grün leuchtet und sich wieder ausschaltet; die angeschlossene Lampe erhöht die Helligkeit und senkt sie dann wieder; dann führen die grüne LED und die Lampe 2 Blinksignale aus. Dann die externe Taste loslassen.
- 03.** Die externe Taste gedrückt halten; warten, bis die LED konstant grün leuchtet und sich wieder ausschaltet; die angeschlossene Lampe erhöht die Helligkeit und verringert sie dann wieder; dann führen die grüne LED und die Lampe 2 Blinksignale aus. Dann die externe Taste loslassen.
- 04.** Die externe Taste so oft drücken, wie in der Funktion angegeben ist, die ausgewählt werden soll:



- zum Sperren des Speichers (= 1 Mal die Taste drücken);
- zum Entsperren des Speichers (= 2 Mal die Taste drücken).

10 Sekunden nach dem Drücken führen die grüne LED und die Lampe so viele Blinksignale aus, wie es der gewählten Funktion entspricht.

05. Die externe Taste gedrückt halten. Die grüne LED schaltet sich ein und die angeschlossene Lampe erhöht die Helligkeit; die Taste loslassen, sobald sich die LED ausschaltet und die Lampe die Helligkeit verringert. Als Bestätigung, dass die Prozedur abgeschlossen ist, führen die LED und die Lampe 2 (grüne) Blinksignale aus.

## 13 - TECHNISCHE MERKMALE

- **Versorgung:** 230 Vac,  $\pm 10\%$  50 Hz
- **Maximale Aufnahme:** < 500 mW im Stand-by, ohne die Aufnahme der kontrollierten Last
- **Maximale Lastleistung:** 250W / 200VA
- **Dissipationswert:** 2,5 W/A (geschätzt)
- **Lampentyp (alle mit einem Eingangsstrom von 230 Vac  $\pm 10\%$ , 50 Hz):** Glühbirnen und Halogenlampe; LED-Lampe; Neonlampe
- **IP-Klasse:** 20
- **Abmessungen:** 47 x 18 x 32 mm
- **Gewicht:** 30 g

## 14 - ENTSORGUNG DES PRODUKTES

• Wie bei den Installationsarbeiten muss auch die Entsorgung am Ende der Lebensdauer dieses Produkts durch qualifiziertes Personal ausgeführt werden. • Dieses Produkt besteht aus verschiedenen Stoffen, von denen einige recycled werden können, andere müssen dagegen entsorgt werden. Informieren Sie sich über die Recycle- oder Entsorgungssysteme, die in Ihrem Land für diese Produktkategorie vorgesehen sind. **Achtung!** – Bestimmte Teile des Produktes können Schadstoffe oder gefährliche Substanzen enthalten, die – falls sie in die Umwelt gelangen – schädliche Auswirkungen auf das Ökosystem und die menschliche Gesundheit haben könnten. Wie durch das seitliche Symbol angegeben wird, ist es untersagt, dieses Produkt im Hausmüll zu entsorgen. Somit den Müll gemäß den in Ihrem Land geltenden Vorschriften trennen oder das Produkt an den Verkäufer aushändigen, wenn ein neues gleichwertiges Produkt gekauft wird.



**Achtung!** – Die örtlichen Verordnungen können schwere Strafen im Fall einer widerrechtlichen Entsorgung dieses Produktes vorsehen. • Das Verpackungsmaterial des Produktes muss unter voller Einhaltung der örtlichen Vorschriften entsorgt werden.

## EG-KONFORMITÄTSERKLÄRUNG

Erklärung in Übereinstimmung mit der Richtlinie 1999/5/EG

**Hinweis** - Der Inhalt dieser Konformitätserklärung entspricht dem in den offiziellen Unterlagen angegebenen Inhalt, die sich im Firmensitz der Nice S.p.a. befinden, und insbesondere der vor dem Druck dieser Anleitung verfügbaren zuletzt überarbeiteten Version. Der hier vorhandene Text wurde aus redaktionellen Gründen angepasst. Eine Kopie der Originalerklärung kann bei Nice S.p.a. (TV, Italien) angefordert werden.

Erklärungsnummer: **480/TTDMS** Überarbeitung: **0** Sprache: **IT**

Der unterzeichnende Luigi Paro erklärt in seiner Funktion als Geschäftsführer unter eigener Verantwortung, dass das Produkt: • **Herstellername:** NICE S.p.A. • **Adresse:** Via Pezza Alta 13, 31046 Rustignè, Oderzo (TV) Italien • **Produkttyp:** Dimmer zur Lampensteuerung bis 250W / 200VA • **Modell/Typ:** TTDMS • **Zubehör:** keins

Den grundlegenden Anforderungen von Artikel 3 der nachstehenden europäischen Richtlinie in Bezug auf den Einsatz entspricht, für den die Produkte bestimmt sind:

- Richtlinie 1999/5/EG DES EUROPÄISCHEN PARLAMENTS UND DES RATES VOM 9. März 1999 über Funkanlagen und Telekommunikationsendgeräte und die gegenseitige Anerkennung ihrer Konformität, gemäß den folgenden harmonisierten Normen:

- Schutz der Gesundheit (Art. 3(1)(a)): EN 62479:2010
- Elektrische Sicherheit (Art. 3(1)(a)): EN 60950-1:2006 + A1:2010 + A12:2011
- Elektromagnetische Verträglichkeit (Art. 3(1)(b)): EN 301 489-1 V1.9.1:2011, EN 301 489-3 V1.4.1:2002
- Funkspektrum (Art. 3(2)): EN 300 220-2 V2.4.1:2012

Das Produkt stimmt darüber hinaus mit folgenden EG-Vorschriften überein:

- Richtlinie 2006/95/EG DES EUROPÄISCHEN PARLAMENTS UND DES RATES vom 12. Dezember 2006 zur Angleichung der Rechtsvorschriften der Mitgliedsstaaten betreffend elektrische Betriebsmittel zur Verwendung innerhalb bestimmter Spannungsgrenzen, gemäß der folgenden harmonisierten Normen: EN 60669-2-1:2004 + A1:2009 + A12:2010
- 2004/108/EG-RICHTLINIE DES EUROPÄISCHEN PARLAMENTS UND RATS vom 15. Dezember 2004 bezüglich der Annäherung der Gesetzgebungen der Mitgliedsstaaten, was die elektromagnetische Verträglichkeit betrifft und die Richtlinie 89/336/EWG aufhebt und zwar gemäß den folgenden harmonisierten Normen: EN 55015:2006 + A1:2007 + A2:2009; EN 61547:2009, EN 61000-3-2:2006 + A1:2009 + A2:2009; EN 61000-3-3:2008

Oderzo, 3. Juni 2013

Ing. **Luigi Paro** (Geschäftsführer)

## 1 - OSTRZEŻENIA I OGÓLNE ŚRODKI OSTROŻNOŚCI

• Instalacja musi być wykonana przez wykwalifikowany personel techniczny, w poszanowaniu obowiązujących przepisów, norm elektrycznych i przepisów bezpieczeństwa; w związku z powyższym, w celu zapewnienia bezpieczeństwa osób, należy postępować zgodnie ze wskazówkami i przechowywać niniejszą instrukcję w celu przyszłej konsultacji. • Niniejsza instrukcja zawiera ważne postanowienia odnoszące się do bezpiecznej instalacji; nieprawidłowa instalacja może spowodować wystąpienie poważnych sytuacji niebezpiecznych. • Jedynie częściowa lektura niniejszej instrukcji nie umożliwi pełnego wykorzystania właściwości niniejszego produktu przez użytkownika. • Należy natychmiast wymieniać uszkodzone żarówki. • Nigdy nie instalować regulatora światła w pobliżu innych przedmiotów wytwarzających ciepło; jeżeli w tej samej tablicy elektrycznej konieczne jest zainstalowanie dwóch lub więcej regulatorów światła, należy pozostawić między nimi przestrzeń równą przynajmniej wymiarom gabarytowemu modułu. Rozproszenie ciepła przez regulator światła jest proporcjonalne do mocy kontrolowanego ładunku. • Nigdy nie instalować wyłącznika między regulatorem światła i regulowanym ładunkiem: lampa musi być podłączona bezpośrednio do regulatora światła.

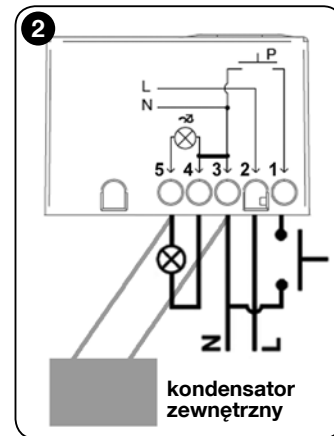
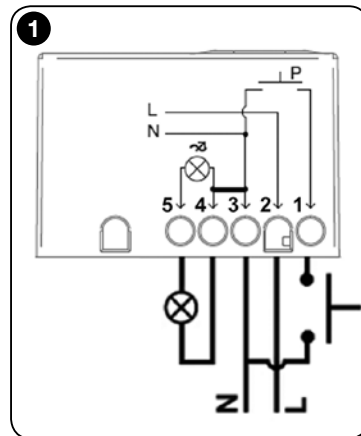
## 2 - OPIS PRODUKTU I JEGO PRZEZNACZENIE

TTDMS jest regulatorem światła umożliwiającym włączanie, wyłączanie i regulację natężenia światła różnych typów lamp (żarowych, fluorescencyjnych, LED, itp.), zasilanych napięciem sieciowym. **Każde inne zastosowanie jest niewłaściwe i zabronione.** Regulator światła posiada wbudowany odbiornik radiowo, działający w częstotliwości 433.92 MHz, z kodowaniem typu "rolling code". W regulatorze światła możliwe jest zapisanie do 30 nadajników (w celu uzyskania informacji na temat stosowanych modeli, prosimy o zapoznanie się z rozdziałem 5). W celu uzyskania różnych zachowań, każdy nadajnik może być zapisany w "Trybie I" lub "Trybie II" (patrz rozdział 6). Możliwe jest podłączenie do regulatora światła przycisku zewnętrznego, przy użyciu którego będzie można włączać, wyłączać i regulować natężenie światła lampy. Programowanie regulatora światła odbywa się przy użyciu nadajnika radiowego zapisanego w "Trybie I" i przycisku znajdującego się na regulatorze światła (lub przy użyciu przycisku zewnętrznego). Procedury programowania są sterowane przy użyciu odpowiednich mignięć diod LED regulatora światła.

## 3 - POŁĄCZENIA ELEKTRYCZNE

### 3.1 - Ostrzeżenia!

- Instalacja regulatora światła i lamp, łącznie z wszystkimi podłączeniami, to działania, które muszą być wykonane wyłącznie przez wykwalifikowany personel techniczny, w poszanowaniu wskazówek zawartych w niniejszej instrukcji oraz norm i przepisów obowiązujących w kraju użytkownika.
- **Regulator światła jest podłączony do niebezpiecznego napięcia elektrycznego. W związku z tym, otwieranie pojemnika regulatora światła oraz wykonywanie wszystkich połączeń musi się odbywać przy odłączonym zasilaniu elektrycznym.**
- **Nigdy, z żadnego powodu, nie przecinać kabla anteny: przez kabel przepływa niebezpieczne napięcie elektryczne.**
- Jeżeli jest to możliwe, instalacja regulatora światła powinna być wykonana we wnętrzu szaf elektrycznych z szyną DIN do modułów elektrycznych.
- Należy ściśle przestrzegać przewidzianych połączeń. Nieprawidłowe podłączenie może być przyczyną usterek lub sytuacji niebezpiecznych.
- Zgodnie z zasadami instalacji elektrycznej, należy przygotować w sieci zasilającej regulatora światła urządzenie rozłączające, które zapewni całkowite odłączenie od sieci w warunkach przeciążenia Kat. III. Urządzenie to nie jest dostarczane z produktem.



### 3.2 - Opis podstawowych podłączeń

Należy podłączyć regulator światła w sposób wskazany na **rys. 1**. Regulator światła powinien być podłączony do napięcia sieciowego 220-240 Vac, przy użyciu zacisków 2 (faza "L") i 3 (neutralny "N"). Ewentualny przycisk zewnętrzny, normalnie otwarty, musi być podłączony między zaciskami 1 (przycisk "P") i 3 (neutralny "N"). Na tych zaciskach jest obecne napięcie sieciowe.

**Uwaga** – Należy zwrócić szczególną uwagę na zakłócenia, które mogą być obecne na neutralnym przewodzie linii regulatora.

Jeśli ściemniacz jest podłączony do lampy halogenowe lub żarowe, należy również podłączyć dołączonego kondensatora (patrz **rys. 2**). Nie stosować kondensator z innymi rodzajami lamp.

### 3.3 - Podłączenie źródeł światła i ograniczenia związane z zastosowaniem produktu

Regulator światła może być podłączony do różnych typologii lamp posiadających napięcie wejściowe 230Vac  $\pm$ 10%, 50Hz. Dopuszczalne są lampy żarowe, halogenowe, LED i fluorescencyjne (wyłącznie lampy LED i fluorescencyjne, opisane przez producenta jako umożliwiające regulację światła). W razie występowania transformatorów elektronicznych lub toroidalnych, muszą one być opisane przez producenta jako umożliwiające regulację światła.

Ładunek oświetleniowy do sprawdzenia musi być połączony do zacisków 4 (neutralny "N") i 5 (regulowana faza "N"). **WAŻNE** – Równoczesne podłączenie większej liczby źródeł światła do zacisków 4 i 5 jest możliwe, ale nie zalecane. Należy zwrócić uwagę na następujące środki ostrożności.

- Nie zaleca się równoczesnego podłączania więcej niż trzech lamp do jednego regulatora światła.
- Lampy podłączone równocześnie do końcówek zacisków 4 i 5 muszą być tego samego typu. Pomieszczenie lamp LED z lampami fluorescencyjnymi lub po prostu pomieszczenie lamp różnych marek i/lub modeli może prowadzić do anomalii podczas działania regulatora światła lub może uniemożliwić jego działanie.
- Użycie regulatora światła do regulacji oświetlenia lamp fluorescencyjnych i lamp LED może prowadzić do znacznego ograniczenia mocy. Zależy to w znacznym stopniu od technologii elektronicznej użytej w lampach. Z tym typem lamp należy za każdym razem testować działanie regulatorów światła; w razie wątpliwości należy się zwrócić do producenta regulatora światła.

## 4 - WCZYTYWANIE PARAMETRÓW TECHNICZNYCH PODŁĄCZONYCH LAMP

Do dokonania instalacji i podłączenia regulatora światła, należy wyczytać typologię,

do której przynależą podłączone lampy. Poniższe procedury umożliwiają wczytanie do regulatora światła parametrów technicznych odnoszących się do podłączonych lamp, koniecznych do prawidłowego działania systemu (minimalna i maksymalna wartość oświetlenia, krzywe oświetlenia, itp.). Każda lampa charakteryzuje się specyficznym zachowaniem w stosunku do tego samego poziomu progę: na przykład, zlecając poziom oświetlenia równy 10 %, lampa żarowa się zaświeci, ale prawdopodobnie dioda LED się nie zaświeci.

### 4.1 - Wczytywanie typologii podłączonych lamp

Regulator światła jest ustawiony fabrycznie do kontroli lamp żarowych od 1 do 150 Watt. **W celu wybrania innego typu źródła światła**, należy działać w następujący sposób.

01. Wcisnąć i przytrzymać wciśnięty przycisk regulatora światła; odczekać 5 sekund na zaświecenie i ostateczne zgaszenie diody LED. Na koniec, zwolnić przycisk.
02. Wcisnąć i przytrzymać wciśnięty przycisk regulatora światła; odczekać 5 sekund na zaświecenie diody LED; odczekać kolejne 5 sekund na zgaszenie diody LED; odczekać na wykonanie 3 mignięć przez diodę LED i zwolnić przycisk.
03. Wcisnąć i przytrzymać wciśnięty przycisk regulatora światła; odczekać 5 sekund na zaświecenie diody LED; odczekać kolejne 5 sekund na zgaszenie diody LED; odczekać na wykonanie 2 mignięć przez diodę LED i zwolnić przycisk.
04. Wybrać na liście typologię lampy, którą pragnie się zaprogramować i powoli naciskać przycisk regulatora światła liczbę razy wskazaną dla wybranej typologii:
  - **Lampa żarowa od 150W do 250W = 1 naciśnięcie na przycisk.**
  - **Lampa żarowa od 1W do 150W = 2 naciśnięcia na przycisk.**
  - **Lampa LED = 3 naciśnięcia na przycisk.**
  - **Lampa fluorescencyjna = 4 naciśnięcia na przycisk.**Odczekać 10 sekund, aż dioda LED wykona liczbę mignięć równą wybranej opcji.
05. Wcisnąć i przytrzymać wciśnięty przycisk regulatora światła; odczekać 5 sekund na zaświecenie i ostateczne zgaszenie diody LED. Na koniec, zwolnić przycisk. W celu potwierdzenia zakończenia procedury, dioda LED wykona 2 mignięcia.

## 5 - NADAJNIKI KOMPATYBILNE I ICH DZIAŁANIE

### 5.1 - Nadajniki kompatybilne

Regulator światła jest wyposażony w technologię NRC 433,92 Mhz, z kodowaniem *rolling code*; dzięki temu, jest on zgodny z nadajnikami marki Nice zamieszczonymi w **Tabeli B**. W celu uzyskania szczegółowych informacji na temat nadajników, należy się zaopatrzyć z katalogiem produktów lub stroną [www.niceforyou.com](http://www.niceforyou.com).

## 5.2 - Działanie nadajników z powierzchnią dotykową "slider"

Oprócz tradycyjnych przycisków do włączania poleceń, nadajniki posiadają również powierzchnię wrażliwą na dotyk i muskanie opuszkami palców. Powierzchnia zachowuje się jak suwak ("slider"), który umożliwia włączanie/wyłączanie lamp i/lub regulację dynamiczną oświetlenia.

- **Krótkotrwałe dotknięcie powierzchni suwaka opuszkami palca:** wysyła do regulatora światła polecenie **pozycjonowania absolutnego**. Przykład: dotykając suwak "slider" na wysokości 30% "całkowitego biegu", oświetlenie lamp zostanie ustawione na 30% lub dotykając suwak "slider" na wysokości 0% della "całkowitego biegu", oświetlenie lamp zostanie ustawione na 0%, itp.
- **Muśnięcie opuszkami palca "powierzchni-suwaka"** (w obu kierunkach): przesyła do regulatora światła listę poleceń w celu wyregulowania oświetlenia lampy w sposób dynamiczny, zgodnie z wymaganiami użytkownika. Muśnięcie opuszkami palca powoduje przesłanie poleceń **pozycjonowania względnego**, tzn. niezależnie od strefy palca, oświetlenie jest zwiększane (lub zmniejszane), aż do odsunięcia palca. Umożliwia to wyregulowanie oświetlenia lampy od wartości minimalnej (**patrz Tabela A**) do wartości maksymalnej, a nie od 0% do 100%. W celu całkowitego wyregulowania oświetlenia lampy od wartości minimalnej do wartości maksymalnej, może się okazać konieczne wielokrotne muskanie opuszkami palca.
- Jeżeli oświetlenie lampy znajduje się już na wartości maksymalnej, wydanie kolejnych poleceń w celu zwiększenia oświetlenia nie będzie miało żadnego efektu wzrokowego.
- Jeżeli oświetlenie lampy znajduje się już na wartości minimalnej, wydanie kolejnych poleceń w celu zmniejszenia oświetlenia nie będzie miało żadnego efektu wzrokowego.
- W niektórych modelach linii "Era P slider" (przykład: P6V, P6SV, itp.), przed wydaniem polecenia, należy wybrać regulator światła, do którego pragnie się przesłać polecenie, naciskając na nadajniku przycisk kanału, do którego przypisano regulator światła podczas procedury wczytywania.
- Po przesłaniu polecenia, przed przesłaniem kolejnego polecenia, należy odczekać na zgaszenie się diody LED: w przeciwnym razie, oświetlenie lampy może się zachowywać w sposób nieprzewidywalny.
- Przedłużone naciśnięcie powierzchni suwaka opuszkami palca, przenosi nadajnik w tryb "standby". W celu przywrócenia działania nadajnika, należy ponownie nacisnąć powierzchnię suwaka lub inny przycisk.

## 6 - WAŻNE: PRZECZYTAĆ PRZED ROZPOCZĘCIEM WCZYTYWANIA NADAJNIKÓW

### 6.1 - Wczytywanie "standardowe" i wczytywanie "indywidualne" nadajnika

Wszystkie dostępne procedury mające na celu wczytanie nadajnika dzielą się na

TABELA A	Minimalna moc	Maksymalna moc	Wartość % minimalnego oświetlenia
Typologia lamp			
Lampy żarowe i halogenowe o dużej mocy, powyżej 150 Watt	150 Watt	250 Watt	15 %
Lampy żarowe i halogenowe o małej mocy, poniżej 150 Watt ( <b>ustawienie fabryczne</b> )	1 Watt	150 Watt	20 %
Lampy LED	0 Watt	100 Watt	15 %
Lampy fluorescencyjne	0 Watt	100 Watt	30 %

dwie główne kategorie: te, które wczytują nadajnik w **trybie standard**, zwane "**procedurami w Trybie I**" oraz te, które wczytują nadajnik w **trybie indywidualnym**, zwane "**procedurami w Trybie II**".

#### 6.1.1 - Procedury w "TRYBIE I"

Wykonanie procedury należącej do tego trybu **automatycznie przypisuje trzy polecenia regulatora światła do pierwszych trzech przycisków nadajnika** (pozostałe, ewentualnie obecne przyciski, nie są programowane), zgodnie z kryterium określonym w fabryce (które nie może być zmienione przez instalatora). Po zakończeniu procedury w "Trybie I", przyciski nadajnika będą miały następującą konfigurację:

- przycisk ▲ (lub przycisk **1**): będzie przyporządkowany funkcji "**Regulator światła Góra**".
- przycisk ■ (lub przycisk **2**): będzie przyporządkowany funkcji "**Toggle**".
- przycisk ▼ (lub przycisk **3**): jeżeli obecny, będzie przyporządkowany funkcji "**Regulator światła Dół**".
- przycisk 4 (i kolejne): jeśli obecne, nie będą miały przypisanych funkcji.

**Uwaga** – Jeżeli przyciski nadajnika nie posiadają symboli i numerów, należy się odnieść do **rys. 3** w celu ich identyfikacji.

Podczas użycia nadajnika, funkcje przypisane do przycisków zachowują się w następujący sposób:

#### • **Regulator światła Góra:**

- **krótkotrwałe naciśnięcie przycisku** (krócej niż jedna sekunda), jeżeli lampa nie jest już ustawiona na wartości maksymalnej, powoduje **nieznaczne zwiększenie oświetlenia**;
- **przedłużone naciśnięcie przycisku** (dłużej niż jedna sekunda) powoduje **zwiększenie oświetlenia**, aż do osiągnięcia maksymalnej ustawionej wartości i/lub zwolnienia przycisku.

#### • **Toggle:**

- po każdorazowym naciśnięciu przycisku, regulator światła włącza (On) lub wyłącza (Off) podłączone źródło światła. Wartość oświetlenia podłączonego do funkcji “On” będzie taka sama, jak ostatni próg oświetlenia zapamiętany w regulatorze światła. Wartość jest zapamiętywana automatycznie przez regulator światła za każdym razem, gdy lampa przechodzi w stan od zaświeconej do zgaszonej (w tym przypadku wczytana wartość będzie równa oświetleniu lampy przed jej zgaszeniem) lub, w którymkolwiek przypadku, po około 60 sekundach od ostatniej zmiany oświetlenia (w tym przypadku zostanie zapamiętana ostatnia wartość oświetlenia).

#### • **Regulator światła Dół:**

- **krótkotrwałe naciśnięcie przycisku (krócej niż jedna sekunda)**, jeżeli lampa nie jest już ustawiona na wartości minimalnej, powoduje **nieznaczne zmniejszenie oświetlenia**;
- **przedłużone naciśnięcie przycisku (dłużej niż jedna sekunda)** powoduje **zmniejszenie oświetlenia**, aż do osiągnięcia minimalnej ustawionej wartości i/lub zwolnienia przycisku.

### 6.1.2 - **Procedury w “TRYBIE II”**

Wykonanie procedury przynależącej do tego trybu umożliwi instalatorowi dowolne przypisanie żądanego polecenia, wybranego spośród poleceń dostępnych w regulatorze światła, do określonego przycisku nadajnika. Po wykonaniu procedury “Tryb II”, w celu przypisania innego polecenia do innego przycisku, należy powtórzyć procedurę. Polecenia wczytywane przy użyciu procedury w “Trybie II” są następujące:

#### • **Regulator światła Góra > Regulator światła Dół > Regulator światła Góra > itp..... / Toggle:**

- **przedłużone naciśnięcie przycisku (dłużej niż jedna sekunda)** powoduje **zwiększenie oświetlenia lampy** przez regulator światła (funkcja “Regulator światła Góra”). W przypadku zwolnienia przycisku i następnie ponownego, przedłużonego naciśnięcia, regulator światła zmniejsza oświetlenie lampy (funkcja “Regulator światła Dół”);
- **krótkotrwałe (mniej niż 1 sekunda) naciśnięcie przycisku** powoduje **włączenie (On) lub wyłączenie (Off)** przez regulator światła podłączonego źródła światła (funkcja “Toggle”).

#### • **Regulator światła Góra:**

polecenie to działa w sposób opisany w punkcie “Tryb I”.

#### • **Regulator światła Dół:**

polecenie to działa w sposób opisany w punkcie “Tryb I”.

#### • **Toggle:**

polecenie to działa w sposób opisany w punkcie “Tryb I”.

#### • **Poziom (...) oświetlenia (1 / 2 / 3 / 4):**

każdy z tych przycisków przywołuje określony próg oświetlenia. Ustawienie fabryczne wartości przypisanej do każdego poziomu zostało zamieszczone w poniższej tabeli:

Poziom 1 oświetlenia = próg 25 %

Poziom 2 oświetlenia = próg 50 %

Poziom 3 oświetlenia = próg 75 %

Poziom 4 oświetlenia = próg 100 %

Wartość progu oświetlenia przypisanego do każdego poziomu może być zmieniana przy użyciu procedur obecnych w rozdziale 11. **Uwaga!** – Jeżeli ustawiona wartość jest mniejsza niż wartość “minimalnego oświetlenia” (ustawionego za pomocą procedur opisanych w rozdziale 4) zachowanie lampy będzie niespójne; na przykład, przesyłając polecenie włączenia, lampa się nie zaświeci.

**Przykład:** jeżeli do regulatora światła jest podłączona lampa LED (wartość “minimalnego oświetlenia” dla tej typologii lampy = 30%, zamieszczona w Tabeli A) i zostanie wysłane polecenie “Poziom 1 oświetlenia” z progiem 25% (wartość fabryczna), lampa pozostanie zgaszona, ponieważ 25% jest mniejsze od 30% (minimalna wartość oświetlenia dla tej typologii lamp).

#### • **Off:**

to polecenie powoduje zgaszenie lampy.

#### • **On:**

to polecenie powoduje zaświecenie lampy ze 100% oświetlenia.

### 6.2 - **Dodatkowe ostrzeżenia na temat programowania**

Programowanie regulatora światła może być wykonane przy użyciu różnych technik. Niektóre z nich umożliwiają zdalne programowanie regulatora, nie dotykając fizycznie przycisku programowania.

**A) Programowanie wykonane przy użyciu innego nadajnika uprzednio wczytanego do regulatora światła.** Procedury dostępne do tej techniki zostały opisane w punktach **8.1 - 8.2 - 8.3 - 11.1**.

**B) Programowanie wykonane przy użyciu przycisku programowania regulatora światła.** Procedury dostępne dla tej techniki zostały opisane w punktach **9.1 - 9.2 - 11.2 - 12.2**.

**C) Programowanie wykonane przy użyciu przycisku zewnętrznego podłączonego do regulatora światła.** Procedury dostępne dla tej techniki zostały opisane w punktach **10.1 - 10.2 - 11.3 - 12.3**.

- Dioda LED N regulatora światła może wykonać cztery rodzaje sygnalizacji: zaświecona, zgaszona, długie mignięcie, krótkie mignięcie. Mignięcia mają następującą długość:
  - **długie mignięcie:** Dioda LED zaświecona przez 1,5 sekundy i zgaszona przez 1,5 sekundy.

– krótkie mignięcie: Dioda LED zaświecona przez 0,5 sekundy i zgaszona przez 0,5 sekundy.

- Podczas wykonywania procedury, dioda LED na regulatorze światła wykonuje sygnalizację jako odpowiedź na działania instalatora. W tej samej chwili, podłączona lampa emituje takie same sygnalizacje diody LED w celu poszerzenia komunikacji wzrokowej; jest to przydatne zwłaszcza, gdy, w celach instalacyjnych, dioda LED nie jest widoczna. W każdym razie, należy pamiętać, że sygnalizacja lampy może być ograniczona przez kilka czynników: **a)** oprócz migania, dioda LED zmienia również kolor w celu umożliwienia komunikacji, natomiast lampa jest jednokolorowa; **b)** po zgaszeniu lampy, regulator światła zapamiętuje ostatnią używaną wartość oświetlenia. Jeżeli wartość ta jest zbyt wysoka lub niska, podczas procedury mogłaby uniemożliwić powtórzenie niektórych sygnalizacji diody LED. W związku z tym, przed wykonaniem procedury, zaleca się zawsze ustawienie oświetlenia lampy na około 50 %; **c)** lampa fluorescencyjna nie posiada prawidłowej sekwencji migania.
- Oprócz sygnalizacji diody LED zamieszczonych w procedurach, wykonuje ona również inne, ogólne sygnalizacje:
  - **6 zielonych mignięć.** Wykonane na zakończeniu procedury wczytywania przełącznika w celu zasygnalizowania, że pamięć jest pełna i że wczytanie danego nadajnika nie było możliwe.
  - **2 zielone mignięcia.** Jeżeli są wykonane w chwili zasilania regulatora światła oznaczają, że jego pamięć jest pusta (= nie został wczytany żaden nadajnik). Jeżeli są wykonane po zakończeniu procedury wczytywania nadajnika, oznaczają, że jest aktywna blokada pamięci i nie było możliwe wczytanie tego nadajnika.
  - **2 czerwone mignięcia.** Wykonane podczas jakiegokolwiek procedury programowania w celu zasygnalizowania, że popełniono błąd.
  - **pomarańczowe mignięcia.** Wykonywane, gdy jest wykonywany punkt 01 procedury wczytywania nadajnika. W tej chwili sygnalizują, że dany nadajnik nie został jeszcze wczytany i że system jest gotowy do wczytywania.
- Wszystkie procedury programowania posiadają *time out*: od zwolnienia przycisku dostępne jest 30 sekund na wciśnięcie kolejnego przycisku przewidzianego w procedurze. Po upływie tego czasu, regulator światła wyjdzie z programowania, sygnalizując anulowanie procedury przy użyciu dwóch czerwonych mignięć oraz zgaszenia podłączonego źródła światła.
- Niektóre nadajniki posiadają różne kanały transmisyjne (na przykład WM004G, WM006G, P6V, P6SV, itp.); każdy z nich można aktywować przy użyciu odpowiedniego przycisku. Podczas wczytywania tych nadajników, przed wciśnięciem przycisków wymaganych przez procedurę, należy wcisnąć przycisk kanału w celu przypisania regulatora światła do tego kanału (do tego samego kanału może być przypisanych więcej regulatorów światła). Następnie, podczas użycia nadajnika, przed przesłaniem polecenia, należy wybrać regulator światła, do którego jest

przeznaczone polecenie, naciskając kanał, który reprezentuje ten regulator światła.

- Programowanie radiowe jest możliwe we wszystkich regulatorach światła, które znajdują się w zasięgu pracy nadajnika. W związku z tym, przed wykonaniem jakiegokolwiek procedury programowania, należy odciąć zasilanie tych regulatorów światła, których nie chce się programować.
- Możliwe jest wczytanie do 30 kodów nadajników, zarówno w "Trybie I", jak i w "Trybie II".
- W celu dobrowolnego wyjścia z procedury programowania, bez jej zakończenia, należy nacisnąć równocześnie, przez 5 sekund, przyciski ■ i ▼ nadajnika wczytanego w "Trybie I".

## 7 - PROGRAMOWANIE "PIERWSZEGO NADAJNIKA" w "Trybie I"

Ta procedura służy do zaprogramowania wyłącznie "Pierwszego nadajnika" i może być używana tylko wtedy, gdy w pamięci regulatora światła nie został wczytany żaden nadajnik. Stan ten jest sygnalizowany poprzez zaświecenie się regulatora z 2 długimi, zielonymi mignięciami. Jeżeli regulator światła nie emituje żadnego mignięcia, oznacza to, że istnieją wczytane nadajniki. W tej sytuacji, w celu wykonania tej procedury, należy najpierw skasować nadajniki z pamięci. Wczytywanie odbywa się w "Trybie I".

01. Odciąć zasilanie elektryczne od regulatora światła; odczekać 2 sekundy; podłączyć ponownie zasilanie: dioda LED regulatora światła wykona 2 długie mignięcia w kolorze zielonym. **Uwaga! – Jeżeli mignięcia nie zostaną wykonane, oznacza to, że pierwszy nadajnik został już wczytany i ta procedura nie może być używana.**
02. (*w ciągu 5 sekund*) Wcisnąć i przytrzymać wciśnięty przycisk ■ nadajnika przez przynajmniej 8 sekund; następnie zwolnić go w chwili, gdy zaświeci się lampa w celu zatwierdzenia wczytywania.
03. Jako potwierdzenie, dioda LED regulatora światła oraz podłączona lampa wykonają 2 krótkie mignięcia w kolorze zielonym.

Jeżeli procedura nie zakończyła się pomyślnie, lampa się nie zaświeci. Następnie, powtórz procedurę od początku.

## 8 - PROGRAMOWANIE KOLEJNYCH NADAJNIKÓW PRZY UŻYCIU PIERWSZEGO, UPRZEDNIO WCZYTANEGO NADAJNIKA

### 8.1 - Programowanie "kolejnych nadajników" w "Trybie I" (przy użyciu innego, uprzednio wczytanego nadajnika)



Ta procedura umożliwiła zaprogramowanie dodatkowych nadajników przy użyciu nadajnika już wczytanego w "Trybie I", zgodnie z procedurą opisaną w rozdziale 7. Poniższa procedura prowadzi do wykonania na nowym nadajniku dokładnej kopii funkcji obecnych w oryginalnym nadajniku.

---

**01.** (na nowym nadajniku) Wcisnąć i przytrzymać wciśnięty przycisk ■ przez przynajmniej 8 sekund; następnie zwolnić przycisk (dioda LED regulatora wykona mignięcie w kolorze czerwonym).

---

**02.** (na starym nadajniku) Powoli naciskać 3 razy na przycisk ■, aż do jego wczytania.

**03.** (na nowym nadajniku) W celu zakończenia procedury, wcisnąć i przytrzymać wciśnięty przycisk ■ przez przynajmniej 5 sekund i następnie go zwolnić. Jeżeli wczytywanie się powiodło, dioda LED regulatora światła emituje 2 krótkie mignięcia w kolorze zielonym i podłączona lampa zaświeci się z 50% oświetlenia. Jeżeli wczytywanie się nie powiodło, dioda LED regulatora światła wykona 2 mignięcia w kolorze pomarańczowym. W tym przypadku należy wyłączyć urządzenie, ponownie je włączyć, odczekać 150 sekund i powtórzyć procedurę od początku.

## 8.2 - Programowanie "dodatkowych nadajników" w "Trybie II" (przy użyciu innego, uprzednio wczytanego przekaźnika)

Ta procedura umożliwiła zaprogramowanie dodatkowych nadajników przy użyciu nadajnika już wczytanego w "Trybie I", zgodnie z procedurą opisaną w rozdziale 7. Procedura wczytuje nowy nadajnik w "Trybie II".

---

Przed rozpoczęciem procedury, należy zaświecić lampę, wyregulować ją na minimalnym oświetleniu i zgasić lampę.

---

**01.** (na starym nadajniku) Wcisnąć i przytrzymać wciśnięty przycisk ■; odczekać (około 5 sekund), aż podłączona lampa zaświeci się z maksymalnym poziomem oświetlenia. Następnie zwolnić przycisk. Dioda LED regulatora światła wykona 1 krótkie mignięcie w kolorze zielonym.

---

**02.** (na starym nadajniku) Wcisnąć i przytrzymać wciśnięty przycisk ■ nadajnika; odczekać (około 5 sekund), aż podłączona lampa zaświeci się z 10% oświetlenia. Następnie zwolnić przycisk. Dioda LED regulatora światła wykona 2 krótkie mignięcia w kolorze zielonym.

---

**03.** (na starym nadajniku) Wybrać na poniższej liście polecenie, które pragnie się zaprogramować i powoli naciskać przycisk ■ liczbę razy wskazaną w wybranym poleceniu:

- "Regulator światła Góra > Regulator światła Dół > Regulator światła Góra > itp....." / "Toggle" (= 1 naciśnięcie na przycisk ■)
- "Regulator światła Góra" (= 2 naciśnięcia na przycisk ■)
- "Regulator światła Dół" (= 3 naciśnięcia na przycisk ■)
- "Toggle" (= 4 naciśnięcia na przycisk ■)

- "Poziom 1" (= 5 naciśnięć na przycisk ■)
- "Poziom 2" (= 6 naciśnięć na przycisk ■)
- "Poziom 3" (= 7 naciśnięć na przycisk ■)
- "Poziom 4" (= 8 naciśnięć na przycisk ■)
- "Off" (= 9 naciśnięć na przycisk ■)
- "On" (= 10 naciśnięć na przycisk ■)

Odczekać 10 sekund na całkowite zgaszenie lampy; na koniec, dioda LED emituje liczbę krótkich mignięć zielonego koloru równą liczbie naciśnięć wykonanych na przycisku ■ i odpowiednich do wybranego polecenia. **Uwaga!** – bardzo ważne jest, by przed przekazaniem jakiegokolwiek polecenia przy użyciu nowego nadajnika odczekać na całkowite zgaszenie lampy; jeżeli transmisja odbędzie się wcześniej, nadajnik nie zostanie wczytany.

---

**04.** (na nowym nadajniku) Wcisnąć i przytrzymać wciśnięty przycisk, który pragnie się zaprogramować; odczekać (około 5 sekund) na zaświecenie lampy. Jeżeli działanie się powiodzie, dioda LED regulatora światła wykona 3 krótkie mignięcia w kolorze zielonym i lampa się zaświeci. Jeżeli lampa się nie zaświeci, należy powtórzyć procedurę od początku.

---

W razie konieczności wczytania innego przycisku tego samego nadajnika lub innego nadajnika, należy powtórzyć procedurę od początku.

## 8.3 - Kasowanie pamięci (przy użyciu innego, uprzednio wczytanego nadajnika)

Przy użyciu nadajnika wczytanego w "Trybie I" można całkowicie lub częściowo skasować pamięć regulatora światła.

---

Przed rozpoczęciem procedury, należy zaświecić lampę, wyregulować ją na minimalnym oświetleniu i zgasić lampę.

---

**01.** Wcisnąć i przytrzymać wciśnięty przycisk ■ nadajnika; odczekać (około 5 sekund), aż podłączona lampa zaświeci się z 100% oświetlenia. Następnie zwolnić przycisk. Dioda LED regulatora światła wykona 1 krótkie mignięcie w kolorze zielonym.

---

**02.** Wcisnąć i przytrzymać wciśnięty przycisk ▼ nadajnika; odczekać (około 5 sekund), aż podłączona lampa zaświeci się z 10% oświetlenia. Następnie zwolnić przycisk. Dioda LED regulatora światła wykona 2 krótkie mignięcia w kolorze zielonym.

---

**03.** Wcisnąć i przytrzymać wciśnięty przycisk ▲ nadajnika; odczekać (około 5 sekund), aż podłączona lampa zaświeci się z 50% oświetlenia. Następnie zwolnić przycisk. Dioda LED regulatora światła wykona 3 krótkie mignięcia w kolorze zielonym.

---

**04.** Wcisnąć i przytrzymać wciśnięty przycisk ■ nadajnika; odczekać (około 5 sekund), aż podłączona lampa zaświeci się z 10% oświetlenia. Następnie zwolnić przycisk. Dioda LED regulatora światła wykona 4 krótkie mignięcia w kolorze zielonym.

---

**05.** Wybrać z listy element, który pragnie się skasować; następnie, wcisnąć i przytrzymać wciśnięty przycisk nadajnika wskazanego w wybranej opcji:



- **kasowanie wyłącznie nadajników** (= przytrzymać wciśnięty przycisk ▲);
- **kasowanie wyłącznie parametrów** (= przytrzymać wciśnięty przycisk ■);
- **kasowanie wszystkich nadajników i parametrów** (= przytrzymać wciśnięty przycisk ▼).

Odczekać (około 5 sekund) na całkowite zgaszenie podłączonej lampy. Następnie zwolnić przycisk. Dioda LED regulatora światła wykona 2 krótkie mignięcia w kolorze zielonym i zgasnie podłączona lampa. Jeżeli lampa pozostanie zaświecona i dioda LED regulatora wykona 2 krótkie mignięcia w kolorze czerwonym, należy powtórzyć opisaną procedurę od początku.

## 9 - PROGRAMOWANIE NADAJNIKÓW PRZY UŻYCIU PRZYCIŚNIKA NA REGULATORZE ŚWIATŁA

### 9.1 - Programowanie nadajnika w "Trybie II" (przy użyciu przycisku na regulatorze światła)

Ta procedura umożliwi przypisanie nadajnika do regulatora światła w "Trybie II". W celu wykonania tej procedury nie jest konieczne posiadanie drugiego nadajnika wczytanego w "Trybie I".

Przed rozpoczęciem procedury, należy zaświecić lampę, wyregulować ją na minimalnym oświetleniu i zgasić lampę.

01. (na regulatorze światła) Wcisnąć i przytrzymać wciśnięty przycisk; odczekać na całkowite zaświecenie i zgaszenie zielonej diody LED; następnie, zwolnić przycisk.
02. (na regulatorze światła) Wcisnąć i przytrzymać wciśnięty przycisk; odczekać na całkowite zaświecenie i zgaszenie zielonej diody LED; następnie, zwolnić przycisk.
03. (na regulatorze światła) Wcisnąć i przytrzymać wciśnięty przycisk; odczekać na zaświecenie, zgaszenie i wykonanie 5 mignięć w kolorze zielonym przez diodę LED; następnie, zwolnić przycisk.
04. Wybrać na liście funkcję, którą pragnie się zaprogramować i powoli naciskać przycisk regulatora światła liczbę razy wskazaną w wybranej funkcji:
  - **Regulator światła Góra > Regulator światła Dół > Regulator światła Góra > itp.....** / **"Toggle"** (= 1 naciśnięcie na przycisk regulatora światła)
  - **Regulator światła Góra** (= 2 naciśnięcia na przycisk regulatora światła)
  - **Regulator światła Dół** (= 3 naciśnięcia na przycisk regulatora światła)
  - **"Toggle"** (= 4 naciśnięcia na przycisk regulatora światła)
  - **"Poziom 1"** (= 5 naciśnięć na przycisk regulatora światła)
  - **"Poziom 2"** (= 6 naciśnięć na przycisk regulatora światła)
  - **"Poziom 3"** (= 7 naciśnięć na przycisk regulatora światła)
  - **"Poziom 4"** (= 8 naciśnięć na przycisk regulatora światła)
  - **"Off"** (= 9 naciśnięć na przycisk regulatora światła)
  - **"On"** (= 10 naciśnięć na przycisk regulatora światła)

Odczekać, aż dioda LED wyemituje liczbę mignięć zielonego koloru równą liczbie naciśnięć wykonanych na przycisku regulatora światła i odnoszących się do wybranej funkcji.

05. (na nadajniku) Wcisnąć i przytrzymać wciśnięty przycisk, który pragnie się zaprogramować; odczekać (około 5 sekund) na wykonanie 3 krótkich mignięć w kolorze zielonym i zaświecenie się podłączonej lampy z 50% oświetlenia. Następnie zwolnić przycisk.

W razie konieczności wczytania innego przycisku tego samego nadajnika lub innego nadajnika, należy powtórzyć procedurę od początku.

### 9.2 - Kasowanie pamięci (przy użyciu przycisku na regulatorze światła)

Przy użyciu przycisku na regulatorze światła można całkowicie lub częściowo skasować pamięć regulatora światła.

01. Wcisnąć i przytrzymać wciśnięty przycisk regulatora światła; odczekać na całkowite zaświecenie i zgaszenie zielonej diody LED; następnie, zwolnić przycisk.
02. Wcisnąć i przytrzymać wciśnięty przycisk regulatora światła; odczekać na całkowite zaświecenie, zgaszenie i wykonanie 2 mignięć przez zieloną diodę LED; następnie, zwolnić przycisk.
03. Wcisnąć i przytrzymać wciśnięty przycisk regulatora światła; odczekać na całkowite zaświecenie, zgaszenie i wykonanie 5 mignięć przez zieloną diodę LED; następnie, zwolnić przycisk.
04. Wybrać na liście elementy, które pragnie się skasować i powoli naciskać przycisk regulatora światła liczbę razy wskazaną w wybranej opcji:
  - **kasowanie wyłącznie nadajników** (= 1 naciśnięcie na przycisk);
  - **kasowanie wyłącznie parametrów** (= 2 naciśnięcia na przycisk);
  - **kasowanie wszystkich nadajników i parametrów** (= 3 naciśnięcia na przycisk);
 Odczekać 10 sekund, aż dioda LED wyemituje liczbę mignięć zielonego koloru równą liczbie naciśnięć wykonanych na przycisku, odnoszących się do danych przeznaczonych do skasowania.
05. Wcisnąć i przytrzymać wciśnięty przycisk regulatora światła; odczekać na zaświecenie i zgaszenie zielonej diody LED, następnie, zwolnić przycisk; dioda LED wykona 2 krótkie mignięcia w kolorze w celu zatwierdzenia kasowania.

## 10 - PROGRAMOWANIE NADAJNIKÓW PRZY UŻYCIU PRZYCIŚNIKA ZEWNĘTRZNEGO

W celu zlecenia zaświecenia, zgaszenia lub regulacji lampy możliwe jest podłączenie do urządzenia przycisku zewnętrznego. Ten sam przycisk może być również używany jako przycisk programowania. Podczas wykonywania procedur, miganie diod

LED jest powielone przez podłączoną lampę. Sprawia to, że nie jest konieczne kontrolowanie zachowania się diody LED na regulatorze światła. **Ważne** – jeżeli użyto lampy fluorescencyjnej lub lampy LED, nie gwarantuje się prawidłowego ich migania w odniesieniu do sygnalizacji diody LED na regulatorze światła. Zależy do w dużym stopniu od technologii użytej w tych lampach, która może się zmieniać, nawet znacznie, w zależności od marki i modelu.

## 10.1 - Programowanie nadajnika w "Trybie II" (przy użyciu przycisku zewnętrznego)

Ta procedura umożliwia przypisanie nadajnika do urządzenia w "Trybie II".

Przed rozpoczęciem procedury, należy zaświecić lampę, wyregulować ją na minimalnym oświetleniu i zgasić lampę.

01. Odłączyć zasilanie elektryczne od regulatora światła; wcisnąć i przytrzymać wciśnięty przycisk zewnętrzny; następnie ponownie włączyć zasilanie regulatora światła. Odczekać na zaświecenie się zielonej diody LED i podłączonej lampy po przekroczeniu minimalnego progu oświetlenia; następnie zwolnić przycisk zewnętrzny.
02. Wcisnąć i przytrzymać wciśnięty przycisk zewnętrzny; odczekać na zaświecenie się diody LED stałym, zielonym światłem i wzrost intensywności światła podłączonej lampy; następnie odczekać na zgaszenie się diody LED i na zmniejszenie natężenia światła lampy; na koniec, zwolnić przycisk zewnętrzny.
03. Wcisnąć i przytrzymać wciśnięty przycisk zewnętrzny; odczekać na zaświecenie się diody LED stałym, zielonym światłem i wzrost intensywności światła podłączonej lampy; następnie odczekać na zgaszenie się diody LED i na zmniejszenie natężenia światła lampy; na koniec, zwolnić przycisk zewnętrzny.
04. Wcisnąć i przytrzymać wciśnięty przycisk zewnętrzny; odczekać na zaświecenie się i zgaszenie zielonej diody LED; odczekać na zwiększenie się i następnie zmniejszenie natężenia światła lampy; na koniec, odczekać na wykonanie przez diodę LED i lampę 2 krótkich mignięć i następnie zwolnić przycisk zewnętrzny.
05. Wybrać na liście funkcję, którą pragnie się zaprogramować i powoli naciskać przycisk zewnętrzny liczbę razy wskazaną w wybranej funkcji:
  - **"Regulator światła Góra > Regulator światła Dół > Regulator światła Góra > itp....."** / **"Toggle"** (= 1 naciśnięcie na przycisk zewnętrzny)
  - **"Regulator światła Góra"** (= 2 naciśnięcia na przycisk zewnętrzny)
  - **"Regulator światła Dół"** (= 3 naciśnięcia na przycisk zewnętrzny)
  - **"Toggle"** (= 4 naciśnięcia na przycisk zewnętrzny)
  - **"Poziom 1"** (= 5 naciśnięć na przycisk zewnętrzny)
  - **"Poziom 2"** (= 6 naciśnięć na przycisk zewnętrzny)
  - **"Poziom 3"** (= 7 naciśnięć na przycisk zewnętrzny)
  - **"Poziom 4"** (= 8 naciśnięć na przycisk zewnętrzny)
  - **"Off"** (= 9 naciśnięć na przycisk zewnętrzny)

- **"On"** (= 10 naciśnięć na przycisk zewnętrzny)  
Odczekać, aż zielona dioda LED i lampka wyemitują liczbę mignięć równą liczbie naciśnięć wykonanych na przycisku, odnoszących się do wybranego poziomu. Następnie, odczekać na zgaszenie lampy.

06. Wcisnąć i przytrzymać wciśnięty przycisk, który pragnie się zaprogramować; zwolnić przycisk po zakończeniu pierwszego mignięcia diody LED w kolorze zielonym (następnie zostaną wyemitowane kolejne 2 mignięcia); podłączona lampka świeci się z 50% oświetlenia.

W razie konieczności wczytania innego przycisku tego samego nadajnika lub innego nadajnika, należy powtórzyć procedurę od początku.

## 10.2 - Kasowanie pamięci (przy użyciu przycisku zewnętrznego)

Przy użyciu przycisku zewnętrznego można całkowicie lub częściowo skasować pamięć regulatora światła.

Przed rozpoczęciem procedury, należy zaświecić lampę, wyregulować ją na minimalnym oświetleniu i zgasić lampę.

01. Odłączyć zasilanie elektryczne od regulatora światła.
02. Wcisnąć i przytrzymać wciśnięty przycisk zewnętrzny; następnie podłączyc ponownie zasilanie do regulatora i odczekać na zaświecenie się diody w kolorze zielonym i ustawienie się lampy na minimalnym progu oświetlenia. Na koniec, zwolnić przycisk.
03. Wcisnąć i przytrzymać wciśnięty przycisk zewnętrzny; odczekać, aż dioda LED zaświeci się zielonym światłem stałym i lampka zwiększy natężenie światła; odczekać na zgaszenie diody LED i zmniejszenie natężenia światła przez lampę. Na koniec, zwolnić przycisk.
04. Wcisnąć i przytrzymać wciśnięty przycisk zewnętrzny; odczekać, aż dioda LED zaświeci się zielonym światłem stałym i lampka zwiększy natężenie światła i następnie je zmniejszy; odczekać na wykonanie 2 mignięć przez diodę LED i lampę. Na koniec, zwolnić przycisk.
05. Wcisnąć i przytrzymać wciśnięty przycisk zewnętrzny; odczekać, aż dioda LED zaświeci się zielonym światłem stałym i zgaśnie; odczekać, aż lampka zwiększy natężenie światła i następnie je zmniejszy; odczekać na wykonanie 5 zielonych mignięć przez diodę LED. Na koniec, zwolnić przycisk.

06. Wybrać na liście elementy, które pragnie się skasować i powoli naciskać przycisk zewnętrzny liczbę razy wskazaną w wybranej opcji:

- **kasowanie wyłącznie nadajników** (= 1 naciśnięcie na przycisk zewnętrzny);
- **kasowanie wyłącznie parametrów** (= 2 naciśnięcia na przycisk zewnętrzny);
- **kasowanie wszystkich nadajników i parametrów** (= 3 naciśnięcia na przycisk zewnętrzny);

Odczekać 10 sekund aż dioda LED wyemituje liczbę mignięć zielonego koloru

równą liczbie naciśnięć wykonanych na przycisku zewnętrzny, odnoszących się do danych przeznaczonych do skasowania.

- 07.** Wcisnąć i przytrzymać wciśnięty przycisk zewnętrzny; odczekać, aż dioda LED zaświeci się zielonym światłem stałym i zgaśnie; zwolnić przycisk i odczekać na wykonanie 2 zielonych mignięć przez diodę LED.

Jako potwierdzenie, dioda LED wykona 2 krótkie mignięcia w kolorze zielonym i podłączona lampa wykona 2 krótkie mignięcia. Na koniec lampa pozostanie zgaszona.

## 11 - PROGRAMOWANIE POZIOMÓW OŚWIETLENIA

W regulatorze światła można zaprogramować 4 poziomy oświetlenia. Konfiguracja fabryczna przewiduje następujące wartości oświetlenia dla każdego poziomu:

Poziom **1** = (25% natężenia światła)

Poziom **2** = (50% natężenia światła)

Poziom **3** = (75% natężenia światła)

Poziom **4** = (100% natężenia światła)

Poziomy te mogą być przywołane wyłącznie wtedy, gdy każdy z nich zostanie wczytany w przycisku nadajnika przy użyciu procedury w "Trybie II". **Uwaga!** – Nadajnik wczytany w "Trybie I" nie jest w stanie przywołać wcześniej ustawionego poziomu oświetlenia. Wartości 4 poziomów mogą być ponownie zdefiniowane przy użyciu jednej z trzech procedur opisanych poniżej.

### 11.1 - Ustawienie nowej wartości oświetlenia i jej wczytywanie w "Trybie II" (przy użyciu innego, uprzednio wczytanego nadajnika)

Ta procedura może być wykonana wyłącznie z już wczytanym nadajnikiem w "Trybie I". Procedura zmienia wartość oświetlenia pojedynczego poziomu; w celu zmiany wartości innego poziomu, należy powtórzyć procedurę od początku.

Przed rozpoczęciem procedury, należy zaświecić lampę, wyregulować ją na minimalnym oświetleniu i zgasić lampę.

- 01.** Wcisnąć i przytrzymać przycisk ■; odczekać (około 5 sekund) na zaświecenie się lampy podłączonej do regulatora światła z maksymalnym oświetleniem i/lub wykonanie 1 krótkiego mignięcia w kolorze zielonym przez diodę LED na regulatorze światła. Następnie zwolnić przycisk.
- 02.** Wcisnąć i przytrzymać przycisk ▲; odczekać (około 5 sekund) na obniżenie się poziomu oświetlenia do 10 % i/lub wykonanie 2 krótkich mignięć w kolorze zielonym przez diodę LED na regulatorze światła. Następnie zwolnić przycisk.
- 03.** Użyć przycisków ▲ i ▼ w celu wyregulowania oświetlenia lampy na żądaną wartość. Następnie odczekać (około 10 sekund) na zgaszenie lampy.

- 04.** Wybrać z listy poziom, któremu pragnie się przypisać nową wartość oświetlenia i wykonać działanie połączone z tym poziomem:

- **Poziom 1** (= wcisnąć i przytrzymać wciśnięty przycisk ▲; odczekać, aż dioda LED wyemituje 3 mignięcia zielonego koloru; na koniec zwolnić przycisk).
- **Poziom 2** (= wcisnąć i przytrzymać wciśnięty przycisk ■; odczekać, aż dioda LED wyemituje 3 mignięcia zielonego koloru; na koniec zwolnić przycisk).
- **Poziom 3** (= wcisnąć i przytrzymać wciśnięty przycisk ▼; odczekać, aż dioda LED wyemituje 3 mignięcia zielonego koloru; na koniec zwolnić przycisk).
- **Poziom 4**: (= wcisnąć i przytrzymać równocześnie wciśnięte przyciski ▲ i ▼; odczekać, aż dioda LED wyemituje 3 mignięcia zielonego koloru; na koniec zwolnić przyciski).

### 11.2 - Ustawienie nowej wartości oświetlenia i jej wczytywanie w "Trybie II" (przy użyciu przycisku na regulatorze światła)

Przed rozpoczęciem procedury, należy zaświecić lampę, wyregulować ją na minimalnym oświetleniu i zgasić lampę.

- 01.** Wcisnąć i przytrzymać wciśnięty przycisk regulatora światła; odczekać na całkowite zaświecenie i zgaszenie zielonej diody LED; następnie, zwolnić przycisk.
- 02.** Wcisnąć i przytrzymać wciśnięty przycisk regulatora światła; odczekać na całkowite zaświecenie i zgaszenie zielonej diody LED; następnie, zwolnić przycisk.
- 03.** Wcisnąć i przytrzymać wciśnięty przycisk regulatora światła; odczekać na zaświecenie, zgaszenie i wykonanie 2 mignięć przez zieloną diodę LED; następnie, zwolnić przycisk.
- 04.** Wyregulować oświetlenie lampy na żądaną wartość przy użyciu przycisku regulatora światła w następujący sposób:
- **pierwsze przedłużone naciśnięcie przycisku:** powoduje zwiększenie oświetlenia aż do zwolnienia przycisku.
  - **drugie przedłużone naciśnięcie przycisku:** powoduje zmniejszenie oświetlenia aż do zwolnienia przycisku.
- Uwaga!** – Krótkie naciśnięcie przycisku aktywuje funkcję "Toggle" (On/Off). Po osiągnięciu wymaganego natężenia światła, należy odczekać (około 10 sekund) na wykonanie przez diodę LED 2 zielonych mignięć.
- 05.** Wybrać na liście poziom, któremu pragnie się nadać nową wartość oświetlenia i powoli naciskać przycisk regulatora światła liczbę razy wskazaną w wybranym poziomie:
- **Poziom 1** (= 1 naciśnięcie na przycisk regulatora światła);
  - **Poziom 2** (= 2 naciśnięcia na przycisk regulatora światła);
  - **Poziom 3** (= 3 naciśnięcia na przycisk regulatora światła);
  - **Poziom 4** (= 4 naciśnięcia na przycisk regulatora światła).
- Odczekać 10 sekund aż dioda LED wyemituje liczbę mignięć zielonego koloru równą liczbie naciśnięć wykonanych na przycisku regulatora światła, odnoszą-

cych się do wybranego poziomu.

06. Wcisnąć i przytrzymać wciśnięty przycisk regulatora światła; odczekać na całkowite zaświecenie stałym, zielonym światłem diody LED; następnie, zwolnić przycisk. Jako potwierdzenie wczytania, dioda LED emituje 2 krótkie mignięcia w kolorze zielonym i podłączona lampa pozostaje zaświecona na minimalnej wartości oświetlenia.

### 11.3 - Ustawienie nowej wartości oświetlenia i jej wczytywanie w "Trybie II" (przy użyciu przycisku zewnętrznego)

Przed rozpoczęciem procedury, należy zaświecić lampę, wyregulować ją na minimalnym oświetleniu i zgasić lampę.

01. Odłączyć zasilanie elektryczne od regulatora światła; wcisnąć i przytrzymać wciśnięty przycisk zewnętrzny; następnie ponownie włączyć zasilanie regulatora światła. Odczekać na zaświecenie się zielonej diody LED i podłączonej lampy po przekroczeniu minimalnego progu oświetlenia. Na koniec, zwolnić przycisk zewnętrzny.
02. Wcisnąć i przytrzymać wciśnięty przycisk zewnętrzny; odczekać na zaświecenie się diody LED stałym, zielonym światłem i wzrost intensywności światła podłączonej lampy; następnie odczekać na zgaszenie się diody LED i na zmniejszenie natężenia światła lampy; na koniec, zwolnić przycisk zewnętrzny. Na koniec, zwolnić przycisk zewnętrzny.
03. Wcisnąć i przytrzymać wciśnięty przycisk zewnętrzny; odczekać na zaświecenie się diody LED stałym, zielonym światłem i wzrost intensywności światła podłączonej lampy; następnie odczekać na zgaszenie się diody LED i na zmniejszenie natężenia światła lampy; na koniec, zwolnić przycisk zewnętrzny. Na koniec, zwolnić przycisk zewnętrzny.
04. Wcisnąć i przytrzymać wciśnięty przycisk zewnętrzny; odczekać na zaświecenie się i zgaszenie zielonej diody LED; odczekać na zwiększenie się i następnie zmniejszenie natężenia światła lampy; odczekać na wykonanie przez diodę LED (w kolorze zielonym) i lampę 2 krótkich mignięć. Na koniec, zwolnić przycisk zewnętrzny.

05. Wyregulować oświetlenie lampy na żadaną wartość przy użyciu zewnętrznego przycisku w następujący sposób:

- **pierwsze przedłużone naciśnięcie przycisku:** powoduje zwiększenie oświetlenia aż do zwolnienia przycisku.
- **drugie przedłużone naciśnięcie przycisku:** powoduje zmniejszenie oświetlenia aż do zwolnienia przycisku.

**Uwaga!** – Krótkie naciśnięcie przycisku aktywuje funkcję "Toggle" (On/Off).

Po osiągnięciu wymaganego natężenia światła, należy odczekać (około 10 sekund) na wykonanie przez diodę LED (w kolorze zielonym) i lampę 2 mignięć.

06. Wybrać na liście poziom, któremu pragnie się nadać nową wartość oświetlenia i

powoli naciskać przycisk zewnętrzny liczbę razy wskazaną w wybranym poziomie:

- **Poziom 1** (= 1 naciśnięcie na przycisk zewnętrzny);
- **Poziom 2** (= 2 naciśnięcia na przycisk zewnętrzny);
- **Poziom 3** (= 3 naciśnięcia na przycisk zewnętrzny);
- **Poziom 4** (= 4 naciśnięcia na przycisk zewnętrzny).

Odczekać 10 sekund aż dioda LED i podłączona lampa wyemitują liczbę mignięć zielonego koloru równą liczbie naciśnieć wykonanych na przycisku zewnętrznym, odnoszących się do wybranego poziomu.

07. Wcisnąć i przytrzymać wciśnięty przycisk zewnętrzny; odczekać na zaświecenie się stałym światłem i następnie zgasięcie diody LED (zielonej) i podłączonej lampy; następnie, zwolnić przycisk zewnętrzny.

Jako potwierdzenie wczytania, dioda LED emituje 2 krótkie mignięcia w kolorze zielonym i podłączona lampa pozostaje zaświecona na minimalnej wartości oświetlenia.

## 12 - BLOKOWANIE I ODBLOKOWANIE PAMIĘCI

Jak wspomniano w rozdziale 8, możliwe jest zapisanie nowych nadajników przy użyciu nadajnika uprzednio wczytanego do regulatora światła. W chwili zaistnienia tego rodzaju programowania, gdy inny nadajnik Nice z kodowaniem *rolling code* będzie przesyłał swój sygnał w pobliżu regulatora światła, może zaistnieć ryzyko, że nadajnik zostanie wczytany do regulatora. W celu uniknięcia tego problemu możliwe jest zablokowanie pamięci regulatora światła przy użyciu jednej z poniższych procedur.

### 12.1 - Blokowanie/odblokowanie pamięci (przy użyciu uprzednio wczytanego nadajnika)

Ta procedura może być wykonana wyłącznie nadajnikiem uprzednio wczytanym w "Trybie I".

Przed rozpoczęciem procedury, należy zaświecić lampę, wyregulować ją na minimalnym oświetleniu i zgasić lampę.

01. Wcisnąć i przytrzymać wciśnięty przycisk **■** nadajnika; odczekać na wykonania przez diodę LED 1 mignięcia w kolorze zielonym i na zaświecenie się podłączonej lampy z maksymalnym oświetleniem. Następnie zwolnić przycisk.
02. Wcisnąć i przytrzymać wciśnięty przycisk **▼** nadajnika; odczekać na wykonanie przez diodę LED 2 krótkich mignięć w kolorze zielonym i na obniżenie się poziomu oświetlenia do 10 %. Następnie zwolnić przycisk.
03. Wcisnąć i przytrzymać wciśnięty przycisk **▲** nadajnika; odczekać na wykonanie przez diodę LED 3 krótkich mignięć w kolorze zielonym i na ustawienie poziomu oświetlenia na 50%. Następnie zwolnić przycisk.
04. Wcisnąć i przytrzymać wciśnięty przycisk **▼** nadajnika; odczekać na wykonanie przez diodę LED 4 krótkich mignięć w kolorze zielonym i na obniżenie się po-

mu oświetlenia do 10 %. Następnie zwolnić przycisk.

**05.** Wybrać na liście żądaną opcję:

- **w celu zablokowania pamięci** (= używać przycisku ▲);
- **w celu odblokowania pamięci** (= używać przycisku ■).

Następnie wcisnąć i przytrzymać wciśnięty przycisk nadajnika wskazany w wybranej opcji; odczekać na wykonanie przez diodę LED 2 mignięć w kolorze zielonym i jej zgaszenie. Następnie zwolnić przycisk.

## 12.2 - Blokowanie/odblokowanie pamięci (przy użyciu przycisku na regulatorze światła)

**01.** Wcisnąć i przytrzymać wciśnięty przycisk regulatora światła; odczekać na całkowite zaświecenie zielonym światłem i zgaszenie diody LED; następnie, zwolnić przycisk.

**02.** Wcisnąć i przytrzymać wciśnięty przycisk regulatora światła; odczekać na zaświecenie, zgaszenie i wykonanie 2 mignięć przez zieloną diodę LED; następnie, zwolnić przycisk.

**03.** Wcisnąć i przytrzymać wciśnięty przycisk regulatora światła; odczekać na zaświecenie, zgaszenie i wykonanie 2 mignięć przez zieloną diodę LED; następnie, zwolnić przycisk.

**04.** Wybrać na liście żądaną opcję; następnie powoli naciskać przycisk regulatora światła liczbę razy wskazaną w wybranej opcji:

- **w celu zablokowania pamięci** (= 1 naciśnięcie na przycisk);
- **w celu odblokowania pamięci** (= 2 naciśnięcia na przycisk).

Odczekać 10 sekund, aż dioda LED wyemituje liczbę mignięć zielonego koloru równą liczbie naciśnięć wykonanych na przycisku, odnoszących się do wybranej funkcji.

**05.** Wcisnąć i przytrzymać wciśnięty przycisk regulatora światła; odczekać na zaświecenie i zgaszenie zielonej diody LED, następnie, zwolnić przycisk; dioda LED wykona 2 krótkie mignięcia w kolorze zielonym w celu zatwierdzenia kasowania.

## 12.3 - Blokowanie/odblokowanie pamięci (przy użyciu przycisku zewnętrznego)

Przed rozpoczęciem procedury, należy zaświecić lampę, wyregulować ją na minimalnym oświetleniu i zgasić lampę.

**01.** Odłączyć zasilanie elektryczne od regulatora światła; wcisnąć i przytrzymać wciśnięty przycisk zewnętrzny; następnie ponownie włączyć zasilanie regulatora światła. Odczekać na zaświecenie się zielonej diody LED i podłączonej lampy po przekroczeniu minimalnego progu oświetlenia. Na koniec, zwolnić przycisk zewnętrzny.

**02.** Wcisnąć i przytrzymać wciśnięty przycisk zewnętrzny: zielona dioda LED się zaświeci i zgaśnie; podłączona lampa zwiększy natężenie światła i następnie

je zmniejszy. Na koniec, zielona dioda LED i lampa wykonają 2 mignięcia. Na koniec, zwolnić przycisk zewnętrzny.

**03.** Wcisnąć i przytrzymać wciśnięty przycisk zewnętrzny: zielona dioda LED się zaświeci i zgaśnie; podłączona lampa zwiększy natężenie światła i następnie je zmniejszy. Na koniec, zielona dioda LED i lampa wykonają 2 mignięcia. Na koniec, zwolnić przycisk zewnętrzny.

**04.** Wcisnąć przycisk zewnętrzny liczbę razy wskazaną w funkcji, którą pragnie się wybrać:

- **w celu zablokowania pamięci** (= 1 naciśnięcie na przycisk);
- **w celu odblokowania pamięci** (= 2 naciśnięcia na przycisk).

Po 10 sekundach od ostatniego naciśnięcia, zielona dioda LED i lampa wykonają liczbę mignięć równą wybranej funkcji.

**05.** Wcisnąć i przytrzymać wciśnięty przycisk zewnętrzny. Nastąpi zaświecenie zielonej diody LED i podłączona lampa zwiększy natężenie światła; zwolnić przycisk natychmiast po zgaszeniu diody LED i lampa zmniejszy oświetlenie. Jako potwierdzenie zakończenia procedury, dioda LED (w kolorze zielonym) i lampa wykonają 2 mignięcia.

## 13 - PARAMETRY TECHNICZNE

• **Zasilanie:** 230Vac, ±10% 50Hz • **Maksymalny pobór prądu:** < 500mW w trybie "standby", z wyjątkiem poboru kontrolowanego ładunku • **Maksymalna moc ładunku:** 250W / 200VA • **Rozproszenie energii:** 2,5W/A (szacowane) • **Typ lampy (wszystkie z zasilaniem wejściowym 230 Vac ±10%, 50Hz):** lampy żarowe i halogenowe; lampy LED; neony • **Stopień IP:** 20 • **Wymiary:** 47 x 18 x 32 mm • **Masa:** 30 g

## 14 - UTYLIZACJA URZĄDZENIA

• Utylizacja musi być wykonana przez wykwalifikowany personel, zarówno podczas wykonywania instalacji, jak również po zakończeniu okresu eksploatacji urządzenia, utylizacja musi być wykonana przez wykwalifikowany personel. • Urządzenie składa się z różnego rodzaju materiałów: niektóre z nich mogą zostać poddane recyklingowi, inne powinny zostać usunięte. Należy zgromadzić niezbędne informacje dotyczące placówek obowiązujących dla danej kategorii w kraju użytkowania. **Uwaga!** – niektóre części urządzenia mogą zawierać substancje zanieczyszczające lub niebezpieczne, które, jeżeli rozrzucone w otoczeniu, mogą wywierać szkodliwy wpływ na środowisko i zdrowie ludzkie. Jak wskazuje symbol zamieszczony obok, zabrania się wyrzucania urządzenia razem z odpadami domowymi. Należy przeprowadzić "selektywną zbiórkę odpadów", zgodnie z metodami przewidzianymi przez przepisy obowiązujące w kraju użytkowania lub oddać urządzenie do sprzedawcy podczas dokonywania zakupu nowego, porów-





nywalnego urządzenia. **Uwaga!** – lokalne przepisy mogą przewidywać wysokie kary za nielegalną utylizację niniejszego urządzenia. • Materiał opakowaniowy produktu podlega utylizacji zgodnie z miejscowymi przepisami.

## DEKLARACJA ZGODNOŚCI WE

Deklaracja zgodna z Dyrektywą 1999/5/WE

**Uwaga** - Zawartość niniejszej deklaracji zgodności odpowiada oświadczeniu znajdującym się w dokumencie urzędowym złożonym w siedzibie firmy Nice S.p.a., a w szczególności w ostatniej korekcie dostępnej przed wydrukowaniem tej instrukcji. Niniejszy tekst został dostosowany w celach wydawniczych. Kopię oryginalnej deklaracji można uzyskać w siedzibie spółki Nice S.p.a. (TV) I.

Numer deklaracji: **480/TTDMS** Wydanie: **0** Język: **PL**

Ja, niżej podpisany Luigi Paro, jako Dyrektor Generalny, deklaruje na własną odpowiedzialność, że produkt: • **Nazwa producenta:** NICE S.p.A. • **Adres:** Via Pezza Alta n°13, 31046 Rustignè di Oderzo (TV) Italy • **Rodzaj produktu:** Regulator światła do 250W / 200VA • **Model / Rodzaj:** TTDMS • **Akcesoria:** brak

Jest zgodny z podstawowymi wymaganiami art. 3 poniższej dyrektywy wspólnotowej dotyczącej zastosowania, do którego przeznaczone są produkty:

• Dyrektywa PARLAMENTU EUROPEJSKIEGO I RADY NR 1999/5/WE z dnia 9 marca 1999 r. w sprawie urządzeń końcowych i końcowych urządzeń telekomunikacyjnych oraz wzajemnego uznawania ich zgodności, zgodnie z następującymi normami zharmonizowanymi:

- Ochrona zdrowia (art. 3(1)(a)): EN 62479:2010
- Bezpieczeństwo elektryczne (art. 3(1)(a)): EN 60950-1:2006 + A1:2010 + A12:2011
- Kompatybilność elektromagnetyczna (art. 3(1)(b)): EN 301 489-1 V1.9.1:2011; EN 301 489-3 V1.4.1:2002
- Widmo radiowe (art. 3(2)): EN 300 220-2 V2.4.1:2012

Ponadto, urządzenie jest zgodne z postanowieniami następujących dyrektyw europejskich:

- Dyrektywa PARLAMENTU EUROPEJSKIEGO I RADY NR 2006/95/WE z dnia 12 grudnia 2006 roku w sprawie harmonizacji ustawodawstw państw członkowskich odnoszących się do sprzętu elektrycznego przewidzianego do stosowania w określonych granicach napięcia, zgodnie z następującymi normami zharmonizowanymi: EN 60669-2-1:2004 + A1:2009 + A12:2010
- Dyrektywa PARLAMENTU EUROPEJSKIEGO I RADY NR 2004/108/WE z dnia 15 grudnia 2004 roku w sprawie ujednoczenia prawodawstwa państw członkowskich w zakresie kompatybilności elektromagnetycznej, znosząca dyrektywę 89/336/EWG, zgodnie z następującymi normami zharmonizowanymi: EN 55015:2006 + A1:2007 + A2:2009; EN 61547:2009, EN 61000-3-2:2006 + A1:2009 + A2:2009; EN 61000-3-3:2008

Oderzo, dnia 3 czerwiec 2013 roku  Ing. **Luigi Paro** (Dyrektor Generalny)

## NEDERLANDS

### 1 - ALGEMENE WAARSCHUWINGEN EN VOORZORGSMAATREGELEN

• De installatie moet worden uitgevoerd door gekwalificeerd technisch personeel, met volledige inachtneming van de wetten, de geldende elektrische normen en de veiligheidsnormen; daarom is het voor de veiligheid van personen belangrijk dat deze instructies worden nageleefd en dat ze bewaard worden voor toekomstige raadpleging. • Deze handleiding bevat belangrijke voorschriften voor de veiligheid van de installatie; een verkeerde installatie kan zeer gevaarlijke situaties veroorzaken. • Het slechts gedeeltelijk lezen van deze instructies zorgt ervoor dat de gebruiker niet alle eigenschappen van dit product ten volle kan benutten. • Vervang tijdig beschadigde lampen. • Installeer de dimmer nooit in de nabijheid van andere objecten die warmte kunnen genereren: als er twee of meer dimmers in hetzelfde schakelbord moeten worden geïnstalleerd, laat er dan minstens een ruimte van een module tussen. De warmteafvoer van de dimmer is proportioneel aan het vermogen van de gestuurde belasting. • Installeer nooit een schakelaar tussen de dimmer en de gedimde belasting: de lamp moet direct aan de dimmer worden aangesloten.

### 2 - BESCHRIJVING VAN HET PRODUCT EN GEBRUIKSBESTEMMING

**TTDMS** is een dimmer waarmee de lichtsterkte van verschillende soorten lampen (gloeilampen, fluorescentielampen, ledlampen, etc.), die worden gevoed door netspanning, ingeschakeld, uitgeschakeld en geregeld kan worden. **Ieder ander gebruik is oneigenlijk en verboden.**

De dimmer heeft een RF-ontvanger die op de frequentie 433.92 MHz en met "rolling code"-codering werkt. In een dimmer kunnen maximaal 30 zenders worden opgeslagen (raadpleeg hoofdstuk 5 voor de bruikbare modellen); elke zender kan in "Werkwijze I" of in "Werkwijze II" worden opgeslagen, om verschillende soorten werkingen te verkrijgen (raadpleeg hoofdstuk 6). Er kan een externe knop aan de dimmer worden aangesloten, waarmee de lichtsterkte van de lamp ingeschakeld, uitgeschakeld en geregeld kan worden. De dimmer wordt geprogrammeerd met een RF-zender die is opgeslagen in "Werkwijze I" en met de knop die op de dimmer zit (of met een externe knop). De programmeringsprocedures worden begeleid door het knipperen van de led van de dimmer.

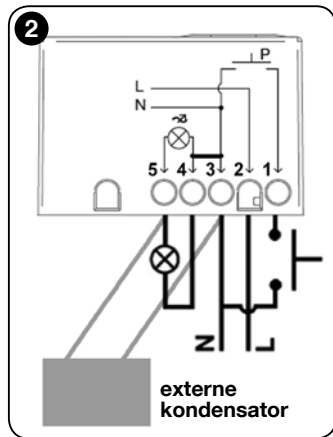
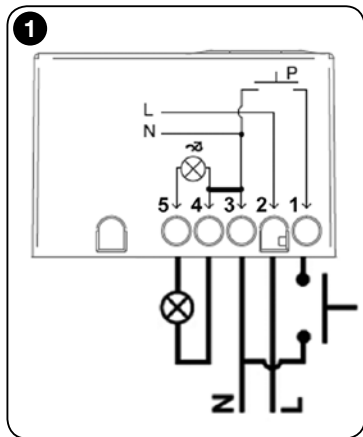
### 3 - ELEKTRISCHE AANSLUITINGEN

#### 3.1 - Waarschuwingen!

- De installatie van de dimmer en de lampen, inclusief alle aansluitingen, omvat werkzaamheden die uitsluitend door gekwalificeerd technisch personeel mogen worden uitgevoerd, met volledige inachtneming van deze instructies en de huidige normen en wetten op dit gebied.
- **De dimmer is onderhevig aan gevaarlijke elektrische spanning. Daarom is het alleen toegestaan om de houder van de dimmer te openen en de aansluitingen uit te voeren als de elektrische spanning is uitgeschakeld.**
- **Snijd onder geen enkele omstandigheid in de kabel van de antenne: deze is onderhevig aan gevaarlijke elektrische spanning.**
- De dimmer moet bij voorkeur in een schakelkast worden geïnstalleerd die voorzien is van een DIN-geleider voor de ondersteuning van de elektrische modules.
- Voer de aansluitingen precies uit zoals ze zijn voorgeschreven. Een verkeerde aansluiting kan voor defecten en/of gevaarlijke situaties zorgen.
- In overeenstemming met de regels voor elektrische installaties moet op de elektrische lijn van de dimmer een elektrische onderbrekingsinrichting worden geplaatst die volledige onderbreking van de stroom garandeert in geval van categorie III overspanning. Deze inrichting wordt niet bij het product meegeleverd.

### 3.2 - Beschrijving van de basisaansluitingen

Sluit de dimmer aan zoals aangegeven in **afb. 1**. Deze moet worden aangesloten op een netspanning van 220-240 Vac, met gebruik van de klemmen 2 (fase "L") en 3 (nul "N"). De eventuele externe knop, die normaal open is, moet worden aangesloten tussen



de klemmen 1 (knop "P") en 3 (nul "N"). Op deze klemmen zal er netspanning zitten.

**Let op** – Let goed op of er storingen op de nul van de gedimde lijn aanwezig zijn.

Als de dimmer wordt aangesloten op gloeilampen of halogeenlampen, moet u ook de meegeleverde condensator aansluiten (zie **afb. 2**). Weet de condensator niet gebruiken met andere soorten lampen.

### 3.3 - De lichtbronnen aansluiten en gebruikslimieten

De dimmer kan aan verschillende soorten lampen worden aangesloten, alle met een ingangsvolting van 230Vac  $\pm$ 10%, 50Hz. De dimmer kan geïnstalleerd worden op gloeilampen, halogeenlampen, ledlampen en fluorescentielampen (led- en fluorescentielampen alleen als de fabrikant uitdrukkelijk verklaart dat ze gedimd kunnen worden). Als er elektronische of toroïdale transformatoren aanwezig zijn, dan moeten de fabrikant ervan hebben verklaard dat ze met een dimmer kunnen werken.

De te sturen lichttechnische belasting moet aan de klemmen 4 (nul "N") en 5 (gedimde fase "⚡") worden aangesloten. **BELANGRIJK** – Er kunnen gelijktijdig meerdere lichtbronnen worden aangesloten aan de klemmen 4 en 5, maar dit wordt afgeraden. Neem over het algemeen de volgende waarschuwingen in acht.

- Het wordt afgeraden om meer dan drie lampen tegelijkertijd aan een dimmer aan te sluiten.
- De tegelijkertijd aangesloten lampen aan de klemmen 4 en 5 moeten van hetzelfde type zijn. Het combineren van ledlampen en fluorescentielampen – of ook gewoon van verschillende merken en/of modellen – kan namelijk storingen in de werking van de dimmer veroorzaken of zelfs ervoor zorgen dat hij helemaal niet meer werkt.
- Het gebruik van de dimmer om de lichtsterkte van fluorescentie- en ledlampen te regelen kan, zelfs aanzienlijk, het beheerbare vermogen verminderen. Dit hangt sterk af van de elektronische technologie die voor de lampen is gebruikt. Met dit soort lampen moeten de functies van de dimmer af en toe worden getest. Neem bij twijfelgevallen contact op met de fabrikant van de dimmer.

## 4 - AANLEREN VAN DE TECHNISCHE KENMERKEN VAN DE AANGESLOTEN LAMPEN

Nadat de dimmer is geïnstalleerd en aangesloten, moet hij het type leren waartoe de aangesloten lampen behoren. Met de volgende twee procedures kunnen in de dimmer alle technische parameters worden opgeslagen die bij de aangesloten lampen horen en die nodig zijn voor de correcte werking van het systeem (minimum- en maximumwaarden van de lichtsterkte, verlichtingscurven, etc.). Elk type lamp heeft namelijk een eigen specifieke werking bij hetzelfde drempelniveau dat ervoor wordt ingesteld: bijvoorbeeld, bij een lichtsterkteniveau van 10% gaat een gloeilamp branden, maar een led waarschijnlijk niet.



## 4.1 - Aanleren van het type aangesloten lampen

De dimmer is in de fabriek ingesteld om gloeilampen van 1 tot 150 Watt te besturen. **Om een ander type lichtbron te selecteren**, gaat u als volgt te werk.

01. Druk op de toets van de dimmer en houd hem ingedrukt: wacht 5 seconden tot de led gaat branden en vervolgens definitief uitgaat. Laat dan de toets los.
02. Druk op de toets van de dimmer en houd hem ingedrukt: wacht 5 seconden tot de led gaat branden; wacht nog eens 5 seconden tot de led uitgaat; wacht tot de led 3 keer knippert en laat dan de toets los.
03. Druk op de toets van de dimmer en houd hem ingedrukt: wacht 5 seconden tot de led gaat branden; wacht nog eens 5 seconden tot de led uitgaat; wacht tot de led 2 keer knippert en laat dan de toets los.
04. Kies uit de lijst het type lamp dat u wilt programmeren en druk langzaam hetzelfde aantal keer op de knop van de dimmer dat bij het gekozen type hoort:
  - **Gloeilamp van 150W tot 250W = 1 keer drukken op de knop.**
  - **Gloeilamp van 1W tot 150W = 2 keer drukken op de knop.**
  - **Ledlamp = 3 keer drukken op de knop.**
  - **Fluorescentielamp = 4 keer drukken op de knop.**Wacht 10 seconden tot de led het aantal keer knippert dat overeenkomt met de gekozen optie.
05. Druk op de toets van de dimmer en houd hem ingedrukt: wacht 5 seconden tot de led gaat branden en vervolgens definitief uitgaat. Laat dan de toets los. Om te bevestigen dat de procedure is voltooid zal de led 2 keer knippen.

## 5 - COMPATIBELE ZENDERS EN HUN WERKING

### 5.1 - Compatibele zenders

De dimmer is voorzien van NRC-technologie op 433,92 Mhz, met *rolling code*-codering; hierdoor is hij compatibel met de zenders van het merk Nice die in **Tabel B** staan. Raadpleeg de productencatalogus van Nice of de website [www.niceforyou.com](http://www.niceforyou.com) voor meer informatie over deze zenders.

### 5.2 - Werking van de zenders met "slider"

Deze zenders hebben naast de traditionele toetsen voor het versturen van instructies, ook een oppervlak met capacitieve technologie, dat reageert op aanraking van de vingers. Het oppervlak gedraagt zich als een cursor ("slider"), waarmee de lampen in- en uitgeschakeld kunnen worden en/of hun lichtsterkte dynamisch geregeld kan worden.

- **Een korte aanraking van de vinger op het "cursor-oppervlak":** stuurt naar de dimmer een instructie met absolute plaatsing. Bijvoorbeeld: door de slider op 30% van zijn "totale baan" aan te raken wordt de lichtsterkte van de lamp op 30% gebracht; of als de slider op 0% van zijn "totale baan" wordt aangeraakt, wordt de lichtsterkte

van de lamp naar 0% gebracht, etc.

- **Het vege** van de vinger over het "cursor-oppervlak" (in de twee richtingen): stuurt naar de dimmer een reeks instructies die de lichtsterkte van de lamp op dynamische wijze probeert te regelen, de wens van de gebruiker "volgend". Het vege van de vinger stuurt instructies met relatieve plaatsing; d.w.z. onafhankelijk van waar de vinger start, wordt de lichtsterkte verhoogd (of verlaagd) tot het oppervlak wordt losgelaten. Hierdoor kan de lichtsterkte van de lamp van de minimale waarde (die in **Tabel A** staat) naar de maximale waarde worden gebracht en niet van 0% naar 100%. Het kan nodig zijn om meerdere keren met de vinger over het "cursor-oppervlak" te vege om de lichtsterkte van de lamp volledig, van de minimale naar de maximale waarde, te regelen.
- Als de lichtsterkte van de lamp zich al op de maximale waarde bevindt, zal het sturen van verdere instructies om de lichtsterkte te verhogen geen zichtbaar effect hebben. Dit geldt ook voor als de lichtsterkte van de lamp zich al op de minimale waarde bevindt; het sturen van verdere instructies om de lichtsterkte te verlagen zal geen zichtbaar effect hebben.
- Op enkele modellen van de lijn "Era P slider" (bijvoorbeeld: P6V, P6SV, etc.) moet, alvorens een instructie te sturen, de dimmer worden geselecteerd waarvoor de instructie bestemd is, door op de zender de toets van het kanaal in te drukken waaraan de dimmer tijdens de opslagprocedure is verbonden.
- Nadat een instructie is gestuurd, moet u, voor u een nieuwe kunt sturen, eerst wachten tot de led is uitgegaan: als u dit niet doet kan de lichtsterkte van de lamp zich onvoorspelbaar gaan gedragen.
- Als de vinger langer het "cursor-oppervlak" aanraakt, wordt de zender in stand-by gezet. Om de zender weer te activeren dient u opnieuw op het "cursor-oppervlak" of een toets te drukken.

## 6 - BELANGRIJK: LEES DIT VOORDAT U DE ZENDERS GAAT OPSLAAN

### 6.1 - "Standaard" opslaan en "gepersonaliseerd" opslaan van de zender

Alle beschikbare procedures voor het opslaan van een zender zijn in twee grote categorieën te verdelen en onderling verwisselbaar: die welke de zender opslaan op standaard wijze, genaamd "**procedures in Werkwijze I**", en die welke hem opslaan op gepersonaliseerde wijze, genaamd "**procedures in Werkwijze II**".

#### 6.1.1 - De procedures in "WERKWIJZE I"

De uitvoering van een procedure die bij deze werkwijze hoort koppelt automatisch

TABEL A	Minimaal vermogen	Maximaal vermogen	Minimale lichtsterkte in %
Type lampen			
Gloeï- en halogeenlampen met hoog vermogen, hoger dan 150 Watt	<b>150 Watt</b>	<b>250 Watt</b>	<b>15 %</b>
Gloeï- en halogeenlampen met laag vermogen, lager dan 150 Watt ( <b>fabrieksinstelling</b> )	<b>1 Watt</b>	<b>150 Watt</b>	<b>20 %</b>
Ledlampen	<b>0 Watt</b>	<b>100 Watt</b>	<b>15 %</b>
Fluorescentielampen	<b>0 Watt</b>	<b>100 Watt</b>	<b>30 %</b>

de drie instructies van de dimmer aan de eerste drie toetsen van de zender (eventueel andere toetsen worden niet geprogrammeerd), volgens een fabrieksingesteld criterium (niet wijzigbaar door de installateur). Na het voltooiën van een procedure in “Werkwijze I” hebben de toetsen van de zender de volgende configuratie:

- toets ▲ (of toets **1**): hoort bij de functie “**Dimmer Up**”.
- toets ■ (of toets **2**): hoort bij de functie “**Toggle**”.
- toets ▼ (of toets **3**): indien aanwezig, hoort deze bij de functie “**Dimmer Down**”.
- toets 4 (en volgende): indien aanwezig, hebben deze geen gekoppelde functies.

**Let op** – Als de toetsen van uw zender geen symbolen of nummers hebben, raadpleeg dan **afb. 3** om ze te identificeren.

Tijdens het gebruik van de zender werken de gekoppelde toetsen met de volgende functies:

• **Dimmer Up:**

- als de toets kort wordt ingedrukt (korter dan een seconde) wordt de lichtsterkte van de lamp met een klein percentage verhoogd, als deze zich nog niet op de maximale ingestelde waarde bevindt;
- als de toets langer wordt ingedrukt (langer dan een seconde) blijft de lichtsterkte van de lamp toenemen tot de maximale ingestelde waarde wordt bereikt en/of de toets wordt losgelaten.

• **Toggle:**

- telkens als de toets wordt ingedrukt, schakelt de dimmer de aangesloten lichtbron in (On) of uit (Off). De lichtsterktewaarde die bij de functie “On” hoort, zal gelijk zijn aan de laatste lichtsterktedrempel die in de dimmer is opgeslagen. De waarde wordt automatisch door de dimmer opgeslagen telkens als de lamp van aan naar uit gaat (in dit geval zal de opgeslagen waarde gelijk zijn aan de lichtsterkte van de lamp voor deze werd uitgeschakeld) of, in elk geval, ongeveer 60 seconden na de laatste verandering in lichtsterkte (in dit geval wordt de laatste lichtsterktewaarde opgeslagen).

• **Dimmer Down:**

- als de toets kort wordt ingedrukt (korter dan een seconde) wordt de lichtsterkte van de lamp met een klein percentage verlaagd, als deze zich nog niet op de minimale ingestelde waarde bevindt;
- als de toets langer wordt ingedrukt (langer dan een seconde) blijft de lichtsterkte van de lamp afnemen tot de minimale ingestelde waarde wordt bereikt en/of de toets wordt losgelaten.

**6.1.2 - De procedures in “WERKWIJZE II”**

Met de uitvoering van een procedure die bij deze werkwijze hoort, kan de installateur vrij een gewenste instructie uit de beschikbare instructies op de dimmer aan een gewenste toets van de zender koppelen. Nadat een procedure in “Werkwijze II” is uitgevoerd, moet om een andere instructie aan een andere toets te koppelen de procedure herhaald worden. De instructies die met een procedure in “Werkwijze II” kunnen worden opgeslagen, zijn de volgende:

• **Dimmer Up > Dimmer Down > Dimmer Up > etc..... / Toggle:**

- als de toets langer wordt ingedrukt (langer dan een seconde) verhoogt de dimmer de lichtsterkte van de lamp (functie “Dimmer Up”). Als de toets wordt losgelaten en vervolgens weer langer wordt ingedrukt, verlaagt de dimmer de lichtsterkte van de lamp (functie “Dimmer Down”);
- als de toets kort wordt ingedrukt (korter dan een seconde) schakelt de dimmer de aangesloten lichtbron in (On) of uit (Off) (functie “Toggle”).

• **Dimmer Up:**

deze instructie werkt zoals beschreven in de paragraaf “Werkwijze I”.

• **Dimmer Down:**

deze instructie werkt zoals beschreven in de paragraaf “Werkwijze I”.

• **Toggle:**

deze instructie werkt zoals beschreven in de paragraaf “Werkwijze I”.

• **Lichtsterkeniveau (1 / 2 / 3 / 4):**

elk van deze instructies hoort bij een specifieke lichtsterktedrempel. De fabrieksinstelling van de bij elk niveau behorende waarde staat in de volgende tabel:

Lichtsterkeniveau 1 = drempel bij 25 %
Lichtsterkeniveau 2 = drempel bij 50 %
Lichtsterkeniveau 3 = drempel bij 75 %
Lichtsterkeniveau 4 = drempel bij 100 %

De waarde van de lichtsterktedrempel behorend bij elk niveau kan worden gewijzigd met de procedures die beschreven staan in hoofdstuk 11. **Let op!** – Als de ingestelde waarde lager is dan de waarde van de “minimale lichtsterkte” (die welke is ingesteld met de procedures in hoofdstuk 4), dan zal de lamp zich onafhankelijk gedragen; bijvoorbeeld, als een instructie voor inschakeling wordt gestuurd

gaat de lamp niet aan.

**Voorbeeld:** als er een ledlamp (waarde van de "minimale lichtsterkte" van dit type lamp = 30%, weergegeven in Tabel A) aan de dimmer is aangesloten en de instructie "Lichtsterkeniveau 1", met drempel bij 25% (fabriekswaarde), wordt gestuurd, blijft de lamp uit omdat 25% lager is dan 30% (waarde van de minimale lichtsterkte voor dit type lamp).

- **Off:**  
met deze instructie wordt de lamp uitgeschakeld.
- **On:**  
met deze instructie wordt de lamp ingeschakeld op 100% van zijn lichtsterkte.

## 6.2 - Overige waarschuwingen voor de programmeringen

De dimmer kan doorgaans met verschillende technieken geprogrammeerd worden. Met enkele kan de dimmer "op afstand" geprogrammeerd worden, zonder daadwerkelijk de programmeringstoets te gebruiken.

**A) Programmering uitgevoerd met een andere, reeds in de dimmer opgeslagen zender.** De beschikbare procedures voor deze techniek staan in de paragrafen **8.1 - 8.2 - 8.3 - 11.1 - 12.1**.

**B) Programmering uitgevoerd met de programmeringstoets van de dimmer.** De beschikbare procedures voor deze techniek staan in de paragrafen **9.1 - 9.2 - 11.2 - 12.2**.

**C) Programmering uitgevoerd met een externe knop, aangesloten aan de dimmer.** De beschikbare procedures voor deze techniek staan in de paragrafen **10.1 - 10.2 - 11.3 - 12.3**.

- De Led N van de dimmer kan vier soorten signaleringen uitvoeren: **aan**, **uit**, **lang knipperen**, **kort knipperen**. Het knipperen heeft de volgende duur:
  - lang knipperen: Led 1,5s aan en 1,5s uit.
  - kort knipperen: Led 0,5s aan en 0,5s uit.
- Tijdens de uitvoering van een procedure voert de led op de dimmer signaleringen uit als antwoord op de verrichtingen van de installateur. Op hetzelfde moment reproduceert de aangesloten lamp de signaleringen van de led om de zichtbare communicatie te versterken. Dit is vooral handig als de led vanwege de installatie-eisen niet zichtbaar is. Echter, de signaleringen van de lamp kunnen door enkele factoren worden beperkt: **a)** de led knippert niet alleen maar verandert ook van kleur om te communiceren, terwijl de lamp maar één kleur heeft; **b)** bij het uitschakelen van de lamp slaat de dimmer de laatstgebruikte lichtsterktewaarde op. Als deze waarde te hoog of te laag is, kan dit ervoor zorgen dat tijdens de procedure bepaalde signaleringen van de led niet kunnen worden gereproduceerd. Daarom

raden we aan om, alvorens een procedure uit te voeren, de lichtsterkte van de lamp naar ongeveer 50% te brengen; **c)** een fluorescentielamp garandeert niet dat het knipperen in de juiste volgorde wordt uitgevoerd.

- Naast de signaleringen van de led tijdens de procedures, voert deze ook andere algemene signaleringen uit:
  - **6 keer groen knipperen.** Dit gebeurt aan het eind van een procedure voor het opslaan van een zender om aan te geven dat het geheugen vol is en het niet is gelukt om die zender op te slaan.
  - **2 keer groen knipperen.** Als dit gebeurt wanneer de stroom naar de dimmer wordt ingeschakeld, betekent dit dat zijn geheugen leeg is (= er is geen enkele zender opgeslagen). Als dit aan het eind van een procedure voor het opslaan van een zender gebeurt, betekent dit dat het geheugen geblokkeerd is en het niet is gelukt om die zender op te slaan.
  - **2 keer rood knipperen.** Dit gebeurt tijdens een willekeurige programmeringsprocedure om aan te geven dat er een fout is opgetreden.
  - **oranje knipperen.** Dit gebeurt als punt 01 van een procedure voor het opslaan van een zender wordt uitgevoerd. Op dat moment geeft dat aan dat die zender nog niet is opgeslagen en dat het systeem gereed is voor het opslaan.
- Alle programmeringsprocedures hebben een *time-out*: na het loslaten van een toets heeft u 30 seconden om de volgende toets die de procedure voorschrijft in te drukken. Als deze tijd is verstreken zal de dimmer de programmering verlaten en aangeven dat de procedure is geannuleerd door twee keer rood te knipperen en de aangesloten lichtbron uit te schakelen.
- Enkele zenders hebben verschillende zendkanalen (bijvoorbeeld WM004G, WM006G, P6V, P6SV, etc.), die elk met een specifieke toets geactiveerd kunnen worden. Tijdens het opslaan van deze zenders moet, alvorens de toetsen in te drukken die de procedure voorschrijft, de toets van een kanaal worden ingedrukt om de dimmer aan dat kanaal te verbinden (er kunnen ook meerdere dimmers aan hetzelfde kanaal worden verbonden). Vervolgens moet bij het gebruik van de zender, alvorens een instructie te sturen, de dimmer worden geselecteerd waarvoor de instructie bestemd is, door op de toets van het kanaal te drukken die bij die dimmer hoort.
- Alle dimmers die zich binnen het werkbereik van de zender bevinden kunnen draadloos geprogrammeerd worden. Daarom moet, alvorens wat voor procedure dan ook uit te voeren, de stroom naar die dimmers worden uitgeschakeld die men niet wil programmeren.
- Er kunnen maximaal 30 zendercodes worden opgeslagen; dit kan in "Werkwijze I" of "Werkwijze II" gebeuren.
- Om vrijwillig een onvoltooid programmeringsprocedure te verlaten, drukt u tegelijkertijd gedurende 5 seconden op de toetsen **■** en **▼** van de in "Werkwijze I" opgeslagen zender.

## 7 - DE “EERSTE ZENDER” in “Werkwijze I” PROGRAMMEREN

Deze procedure dient uitsluitend om de “eerste zender” te programmeren en kan alleen worden gebruikt als er geen andere zender in het geheugen van de dimmer is opgeslagen. Deze status wordt aangegeven door de dimmer, die bij het inschakelen 2 keer lang groen knippert. Als de dimmer niet knippert betekent dit dat er zenders zijn opgeslagen. In dit geval moeten eerst de zenders uit het geheugen worden verwijderd voordat deze procedure uitgevoerd kan worden. Het opslaan gebeurt in “Werkwijze I”.

01. Schakel de stroom naar de dimmer uit; wacht 2 seconden; schakel de stroom weer in: de led van de dimmer knippert 2 keer lang groen. **Let op! – Als de led niet knippert, betekent dit dat de eerste zender al opgeslagen is en dat deze procedure niet gebruikt kan worden.**
02. (*binnen 5 seconden*) Druk op de toets ■ van de zender en houd hem minstens 8 seconden ingedrukt; laat hem los zodra de lamp gaat branden om te bevestigen dat het opslaan is gelukt.
03. De led van de dimmer knippert 2 keer kort groen, en de aangesloten lamp doet hetzelfde, om te bevestigen dat het is gelukt.

Als de procedure niet is gelukt zal de lamp niet gaan branden. Herhaal dan de procedure vanaf het begin.

## 8 - NOG MEER ZENDERS PROGRAMMEREN MET BEHULP VAN EEN REEDS OPGESLAGEN EERSTE ZENDER

### 8.1 - “Meer zenders” programmeren in “Werkwijze I” (met behulp van een andere, reeds opgeslagen zender)

Met deze procedure kunnen meer zenders worden geprogrammeerd met gebruik van een in “Werkwijze I” reeds opgeslagen zender, met de procedure in hoofdstuk 7. De volgende procedure maakt een exacte kopie op de nieuwe zender van de functies die op de originele zender zitten.

01. (*op de nieuwe zender*) Druk op de toets ■ en houd hem minstens 8 seconden ingedrukt; laat hem vervolgens los (de led van de dimmer knippert een keer rood).
02. (*op de oude zender*) Druk 3 keer langzaam op de toets ■, mits deze al opgeslagen is.
03. (*op de nieuwe zender*) Druk, om de procedure te beëindigen, op de toets ■,

houd hem minstens 5 seconden ingedrukt en laat hem vervolgens los. Als het opslaan is gelukt knippert de led van de dimmer 2 keer kort groen en gaat de aangesloten lamp op ongeveer 50% van de lichtsterkte branden. Als het opslaan niet is gelukt knippert de led van de dimmer 2 keer oranje. In dit geval schakelt u de inrichting uit en weer in, wacht u 150 seconden en herhaalt u de procedure vanaf het begin.

### 8.2 - “Meer zenders” programmeren in “Werkwijze II” (met behulp van een andere, reeds opgeslagen zender)

Met deze procedure kunnen meer zenders worden geprogrammeerd met gebruik van een in “Werkwijze I” reeds opgeslagen zender, met de procedure in hoofdstuk 7. De procedure slaat de nieuwe zender in “Werkwijze II” op.

Schakel, alvorens met de procedure te beginnen, de lamp in, zet hem op de minimale lichtsterkte en schakel hem uit.

01. (*op de oude zender*) Druk op de toets ■ en houd hem ingedrukt; wacht (ongeveer 5 seconden) tot de aangesloten lamp gaat branden op de maximale lichtsterkte. Laat dan de toets los. De led van de dimmer knippert 1 keer kort groen.
02. (*op de oude zender*) Druk op de toets ■ en houd hem ingedrukt; wacht (ongeveer 5 seconden) tot de lichtsterkte van de aangesloten lamp naar ongeveer 10% daalt. Laat dan de toets los. De led van de dimmer knippert 2 keer kort groen.
03. (*op de oude zender*) Kies uit de volgende lijst de instructie die u wilt programmeren en druk langzaam het aantal keer op de toets ■ dat bij de gekozen instructie hoort:
  - “Dimmer Up > Dimmer Down > Dimmer Up > etc.....” / “Toggle” (= 1 keer drukken op de toets ■)
  - “Dimmer Up” (= 2 keer drukken op de toets ■)
  - “Dimmer Down” (= 3 keer drukken op de toets ■)
  - “Toggle” (= 4 keer drukken op de toets ■)
  - “Niveau 1” (= 5 keer drukken op de toets ■)
  - “Niveau 2” (= 6 keer drukken op de toets ■)
  - “Niveau 3” (= 7 keer drukken op de toets ■)
  - “Niveau 4” (= 8 keer drukken op de toets ■)
  - “Off” (= 9 keer drukken op de toets ■)
  - “On” (= 10 keer drukken op de toets ■)

Wacht 10 seconden tot de lamp helemaal uit is gegaan; de led zal uiteindelijk een bepaald aantal keer kort groen knipperen, dat overeenkomt met het aantal keer dat op de toets ■ is gedrukt en dat bij de gekozen instructie hoort. **Let op!** – het is heel belangrijk dat u wacht tot de lamp helemaal uit is gegaan voordat u een instructie met de nieuwe zender stuurt; als u eerst een instructie stuurt, wordt de zender niet opgeslagen.

04. (*op de nieuwe zender*) Druk op de toets die u wilt programmeren en houd hem

ingedrukt; wacht (ongeveer 5 seconden) tot de lamp aangaat. Als de verrichting is gelukt, knippert de led van de dimmer 3 keer kort groen en gaat de lamp aan. Als de lamp niet aangaat, herhaal dan de procedure vanaf het begin.

Als u een andere toets van dezelfde of van een andere zender wilt opslaan, herhaal dan de procedure vanaf het begin.

### 8.3 - Het geheugen wissen (met behulp van een andere, reeds opgeslagen zender)

Met behulp van een in "Werkwijze I" reeds opgeslagen zender kan het geheugen van de dimmer gedeeltelijk of volledig worden gewist.

Schakel, alvorens met de procedure te beginnen, de lamp in, zet hem op de minimale lichtsterkte en schakel hem uit.

01. Druk op de toets **■** van de zender en houd hem ingedrukt; wacht (ongeveer 5 seconden) tot de aangesloten lamp op 100% lichtsterkte gaat branden. Laat dan de toets los. De led van de dimmer knippert 1 keer kort groen.
02. Druk op de toets **▼** van de zender en houd hem ingedrukt; wacht (ongeveer 5 seconden) tot de aangesloten lamp op 10% lichtsterkte gaat branden. Laat dan de toets los. De led van de dimmer knippert 2 keer kort groen.
03. Druk op de toets **▲** van de zender en houd hem ingedrukt; wacht (ongeveer 5 seconden) tot de aangesloten lamp op 50% lichtsterkte gaat branden. Laat dan de toets los. De led van de dimmer knippert 3 keer kort groen.
04. Druk op de toets **■** van de zender en houd hem ingedrukt; wacht (ongeveer 5 seconden) tot de aangesloten lamp op 10% lichtsterkte gaat branden. Laat dan de toets los. De led van de dimmer knippert 4 keer kort groen.
05. Kies uit de lijst wat u wilt verwijderen; druk dan op de toets van de zender horend bij de gekozen optie en houd hem ingedrukt:

- **alleen de zenders verwijderen** (= houd de toets **▲** ingedrukt);
- **alleen de parameters verwijderen** (= houd de toets **■** ingedrukt);
- **alle zenders en parameters verwijderen** (= houd de toets **▼** ingedrukt).

Wacht (ongeveer 5 seconden) tot de aangesloten lamp helemaal uitgaat. Laat dan de toets los. De led van de dimmer knippert 2 keer kort groen en de aangesloten lamp gaat uit. Als de lamp aan blijft en de led van de dimmer 2 keer kort rood knippert, herhaal dan de procedure vanaf het begin.

## 9 - ZENDERS PROGRAMMEREN MET DE KNOP OP DE DIMMER

### 9.1 - Een zender in "Werkwijze II" programmeren (met gebruik van de knop op de dimmer)

Met deze procedure kan in "Werkwijze II" een zender aan de dimmer worden verbonden. Voor deze procedure hoeft u niet over een tweede zender te beschikken die in "Werkwijze I" is opgeslagen.

Schakel, alvorens met de procedure te beginnen, de lamp in, zet hem op de minimale lichtsterkte en schakel hem uit.

01. (op de dimmer) Druk op de knop en houd hem ingedrukt; wacht tot de groene led gaat branden en dan helemaal uitgaat; laat dan de knop los.
02. (op de dimmer) Druk op de knop en houd hem ingedrukt; wacht tot de groene led gaat branden en dan helemaal uitgaat; laat dan de knop los.
03. (op de dimmer) Druk op de knop en houd hem ingedrukt; wacht tot de groene led gaat branden, uitgaat en vervolgens 5 keer groen knippert; laat dan de knop los.
04. Kies uit de lijst de functie die u wilt programmeren en druk langzaam het aantal keer op de knop van de dimmer dat bij de gekozen functie hoort:

- **"Dimmer Up > Dimmer Down > Dimmer Up > etc....."** / **"Toggle"** (= 1 keer drukken op de knop van de dimmer)
- **"Dimmer Up"** (= 2 keer drukken op de knop van de dimmer)
- **"Dimmer Down"** (= 3 keer drukken op de knop van de dimmer)
- **"Toggle"** (= 4 keer drukken op de knop van de dimmer)
- **"Niveau 1"** (= 5 keer drukken op de knop van de dimmer)
- **"Niveau 2"** (= 6 keer drukken op de knop van de dimmer)
- **"Niveau 3"** (= 7 keer drukken op de knop van de dimmer)
- **"Niveau 4"** (= 8 keer drukken op de knop van de dimmer)
- **"Off"** (= 9 keer drukken op de knop van de dimmer)
- **"On"** (= 10 keer drukken op de knop van de dimmer)

Wacht tot de led het aantal keer kort knippert dat overeenkomt met het aantal keer dat de knop van de dimmer is ingedrukt en behorend bij de gekozen functie.

05. (op de zender) Druk op de toets die u wilt programmeren en houd deze ingedrukt; wacht (ongeveer 5 seconden) tot de led 3 keer kort groen knippert en de aangesloten lamp op 50% lichtsterkte gaat branden. Laat dan de toets los.

Als u een andere toets van dezelfde of van een andere zender wilt opslaan, herhaal dan de procedure vanaf het begin.

### 9.2 - Het geheugen wissen (met de knop op de dimmer)

Met behulp van de knop op de dimmer kan het geheugen van de dimmer gedeeltelijk

of volledig worden gewist.

- 01.** Druk op de knop van de dimmer en houd hem ingedrukt; wacht tot de groene led gaat branden en dan helemaal uitgaat; laat dan de knop los.
- 02.** Druk op de knop van de dimmer en houd hem ingedrukt; wacht tot de groene led gaat branden, vervolgens uitgaat en dan 2 keer groen knippert; laat dan de knop los.
- 03.** Druk op de knop van de dimmer en houd hem ingedrukt; wacht tot de groene led gaat branden, vervolgens uitgaat en dan 5 keer groen knippert; laat dan de knop los.
- 04.** Kies uit de lijst wat u wilt verwijderen; druk langzaam het aantal keer op de knop van de dimmer dat bij de gekozen optie hoort:
  - **alleen de zenders verwijderen** (= 1 keer drukken op de knop);
  - **alleen de parameters verwijderen** (= 2 keer drukken op de knop);
  - **alle zenders en parameters verwijderen** (= 3 keer drukken op de knop).Wacht 10 seconden tot de groene led het aantal keer knippert dat overeenkomt met het aantal keer dat de knop werd ingedrukt en behorend bij wat u gekozen had om te verwijderen.
- 05.** Druk op de knop van de dimmer en houd hem ingedrukt; wacht tot de groene led gaat branden en vervolgens uitgaat, en laat dan de knop los: de led knippert 2 keer kort groen om te bevestigen dat het verwijderen is gelukt.

## 10 - ZENDERS PROGRAMMEREN MET EEN EXTERNE KNOP

Er kan een externe knop aan de inrichting worden aangesloten om het inschakelen, uitschakelen en dimmen van de lamp te besturen. Dezelfde knop kan ook als programmeringstoets worden gebruikt. Tijdens het uitvoeren van de procedures wordt het knipperen van de led door de aangesloten lamp nagebootst. Hierdoor hoeft de activiteit van de led op de dimmer niet per se te worden gecontroleerd. **Belangrijk** – indien een fluorescentielamp of een ledlamp wordt gebruikt is het niet zeker dat deze het knipperen van de led op de dimmer op juiste wijze zal nabootsen. Dit hangt sterk af van de technologie die voor deze lampen is gebruikt, die afhankelijk van het merk en het model ook aanzienlijk kan variëren.

### 10.1 - Een zender in “Werkwijze II” programmeren (met gebruik van een externe knop)

Met deze procedure kan in “Werkwijze II” een zender aan de inrichting worden verbonden.

Schakel, alvorens met de procedure te beginnen, de lamp in, zet hem op de minimale lichtsterkte en schakel hem uit.

- 01.** Schakel de stroom naar de dimmer uit; druk op de externe knop en houd hem ingedrukt; schakel weer de stroom naar de dimmer in. Wacht tot de groene led aangaat en de aangesloten lamp gaat branden op de minimale lichtsterktedrempel; laat dan de externe knop los.
- 02.** Druk op de externe knop en houd hem ingedrukt; wacht tot de groene led continu gaat branden en de lichtsterkte van de aangesloten lamp toeneemt; wacht vervolgens tot de led uitgaat en de lichtsterkte van de lamp afneemt; laat dan de externe knop los.
- 03.** Druk op de externe knop en houd hem ingedrukt; wacht tot de groene led continu gaat branden en de lichtsterkte van de aangesloten lamp toeneemt; wacht vervolgens tot de led uitgaat en de lichtsterkte van de lamp afneemt; laat dan de externe knop los.
- 04.** Druk op de externe knop en houd hem ingedrukt; wacht tot de groene led gaat branden en dan uitgaat; wacht tot de lichtsterkte van de aangesloten lamp toeneemt en vervolgens afneemt; wacht vervolgens tot de led en de lamp 2 keer kort knipperen en laat dan de externe knop los.
- 05.** Kies uit de lijst de functie die u wilt programmeren en druk langzaam het aantal keer op de externe knop dat bij de gekozen functie hoort:
  - **“Dimmer Up > Dimmer Down > Dimmer Up > etc.....” / “Toggle”** (= 1 keer drukken op de externe knop)
  - **“Dimmer Up”** (= 2 keer drukken op de externe knop)
  - **“Dimmer Down”** (= 3 keer drukken op de externe knop)
  - **“Toggle”** (= 4 keer drukken op de externe knop)
  - **“Niveau 1”** (= 5 keer drukken op de externe knop)
  - **“Niveau 2”** (= 6 keer drukken op de externe knop)
  - **“Niveau 3”** (= 7 keer drukken op de externe knop)
  - **“Niveau 4”** (= 8 keer drukken op de externe knop)
  - **“Off”** (= 9 keer drukken op de externe knop)
  - **“On”** (= 10 keer drukken op de externe knop)Wacht tot de groene led en de lamp het aantal keer knipperen dat overeenkomt met het aantal keer dat de knop werd ingedrukt en dat bij de gekozen functie hoort. Wacht vervolgens tot de lamp uitgaat.
- 06.** Druk op de gewenste toets van de zender die u wilt programmeren en houd hem ingedrukt; laat de toets los als de led voor het eerst groen knippert (er volgt nog 2 keer knipperen); de aangesloten lamp gaat branden met een lichtsterkte van 50%.

Als u een andere toets van dezelfde of van een andere zender wilt opslaan, herhaal dan de procedure vanaf het begin.

### 10.2 - Het geheugen wissen (met een externe knop)

Met behulp van een externe knop kan het geheugen van de dimmer gedeeltelijk of volledig worden gewist.



---

Schakel, alvorens met de procedure te beginnen, de lamp in, zet hem op de minimale lichtsterkte en schakel hem uit.

---

- 01.** Schakel de stroom naar de dimmer uit.
- 02.** Druk op de externe knop en houd hem ingedrukt; schakel de stroom naar de dimmer weer in en wacht tot de groene led gaat branden en de lamp de minimale lichtsterktedrempel bereikt. Laat dan de knop los.
- 03.** Druk op de externe knop en houd hem ingedrukt; wacht tot de led continu groen gaat branden en de lichtsterkte van de aangesloten lamp toeneemt; wacht vervolgens tot de led uitgaat en de lichtsterkte van de lamp afneemt. Laat dan de knop los.
- 04.** Druk op de externe knop en houd hem ingedrukt; wacht tot de led continu groen gaat branden en de lichtsterkte van de aangesloten lamp toeneemt en vervolgens afneemt; wacht tot de led en de lamp 2 keer knipperen. Laat dan de knop los.
- 05.** Druk op de externe knop en houd hem ingedrukt; wacht tot de led continu groen gaat branden en uitgaat; wacht tot de lichtsterkte van de aangesloten lamp toeneemt en vervolgens afneemt; wacht tot de led 5 keer groen knippert. Laat dan de knop los.
- 06.** Kies uit de lijst wat u wilt verwijderen en druk langzaam het aantal keer op de externe knop dat bij de gekozen optie hoort:
  - **alleen de zenders verwijderen** (= 1 keer drukken op de externe knop);
  - **alleen de parameters verwijderen** (= 2 keer drukken op de externe knop);
  - **alle zenders en parameters verwijderen** (= 3 keer drukken op de externe knop).Wacht 10 seconden tot de groene led het aantal keer knippert dat overeenkomt met het aantal keer dat de externe knop werd ingedrukt en behorend bij wat u gekozen had om te verwijderen.
- 07.** Druk op de externe knop en houd hem ingedrukt; wacht tot de led continu groen gaat branden en uitgaat; laat dan de knop los en wacht tot de led 2 keer groen knippert.

Ter bevestiging zal de led 2 keer kort en groen knipperen en de aangesloten lamp 2 keer kort knipperen. De lamp zal ten slotte uitgeschakeld blijven.

---

## 11 - LICHTSTERKTENIVEAUS PROGRAMMEREN

Er kunnen 4 lichtsterkteniveaus in de dimmer worden geprogrammeerd. De fabrieksconfiguratie voor de lichtsterktewaarden voor elk niveau is als volgt:

- Niveau 1 = (25% lichtsterkte)
- Niveau 2 = (50% lichtsterkte)
- Niveau 3 = (75% lichtsterkte)
- Niveau 4 = (100% lichtsterkte)

Deze niveaus zijn alleen beschikbaar als elk niveau in de toets van een zender wordt opgeslagen met een procedure in "Werkwijze II". **Let op!** – Als een zender is opge-

slagen in "Werkwijze I" kan deze geen vooraf ingesteld lichtsterkteniveau hebben. De waarden van de 4 niveaus kunnen opnieuw worden ingesteld met een van de volgende drie procedures.

### 11.1 - Een nieuwe lichtsterktewaarde instellen en deze opslaan in "Werkwijze II" (met behulp van een andere, reeds opgeslagen zender)

Deze procedure kan alleen worden uitgevoerd met een zender die al is opgeslagen in "Werkwijze I". De procedure stelt opnieuw de lichtsterktewaarde van één niveau in; om de waarde van een ander niveau in te stellen dient u de procedure vanaf het begin te herhalen.

---

Schakel, alvorens met de procedure te beginnen, de lamp in, zet hem op de minimale lichtsterkte en schakel hem uit.

- 01.** Druk op de toets ■ en houd hem ingedrukt; wacht (ongeveer 5 seconden) tot de aan de dimmer aangesloten lamp gaat branden op de maximale lichtsterkte en/of de led op de dimmer 1 keer kort groen knippert. Laat dan de toets los.
- 02.** Druk op de toets ▲ en houd hem ingedrukt; wacht (ongeveer 5 seconden) tot de lichtsterkte van de lamp naar 10% daalt en/of de led op de dimmer 2 keer kort groen knippert. Laat dan de toets los.
- 03.** Gebruik de toetsen ▲ en ▼ om de lichtsterkte van de lamp op de gewenste waarde in te stellen. Wacht vervolgens (ongeveer 10 seconden) tot de lamp uitgaat.
- 04.** Kies uit de lijst het niveau waaraan u de nieuwe lichtsterktewaarde wilt toekennen en voer de verrichting uit die bij dit niveau hoort:
  - **Niveau 1** (= druk op de toets ▲ en houd hem ingedrukt; wacht tot de led 3 keer groen knippert; laat dan de toets los).
  - **Niveau 2** (= druk op de toets ■ en houd hem ingedrukt; wacht tot de led 3 keer groen knippert; laat dan de toets los).
  - **Niveau 3** (= druk op de toets ▼ en houd hem ingedrukt; wacht tot de led 3 keer groen knippert; laat dan de toets los).
  - **Niveau 4:** (= druk tegelijkertijd op de toetsen ▲ en ▼ en houd ze ingedrukt; wacht tot de led 3 keer groen knippert; laat dan de toetsen los).

### 11.2 - Een nieuwe lichtsterktewaarde instellen en deze opslaan in "Werkwijze II" (met behulp van de knop op de dimmer)

---

Schakel, alvorens met de procedure te beginnen, de lamp in, zet hem op de minimale lichtsterkte en schakel hem uit.

- 01.** Druk op de knop van de dimmer en houd hem ingedrukt; wacht tot de led groen gaat branden en dan helemaal uitgaat; laat dan de knop los.
- 02.** Druk op de knop van de dimmer en houd hem ingedrukt; wacht tot de led groen

gaat branden en dan helemaal uitgaat; laat dan de knop los.

**03.** Druk op de knop van de dimmer en houd hem ingedrukt; wacht tot de led groen gaat branden, vervolgens uitgaat en ten slotte 2 keer groen knippert; laat dan de knop los.

**04.** De lichtsterkte van de lamp op de gewenste waarde instellen met behulp van de knop van de dimmer, gaat als volgt:

• **druk eerst lang op de knop:** laat de lichtsterkte toenemen tot u de knop loslaat.

• **druk dan weer lang op de knop:** laat de lichtsterkte afnemen tot u de knop loslaat.

**Let op!** – Met kort drukken op de knop wordt de functie “Toggle” (On/Off) geactiveerd.

Als de gewenste lichtsterkte is bereikt, wacht u (ongeveer 10 seconden) tot de led 2 keer groen knippert.

**05.** Kies uit de lijst het niveau waaraan u de nieuwe lichtsterktewaarde wilt toekennen en druk langzaam het aantal keer op de knop van de dimmer dat hoort bij het gekozen niveau:

• **Niveau 1** (= 1 keer drukken op de knop van de dimmer);

• **Niveau 2** (= 2 keer drukken op de knop van de dimmer);

• **Niveau 3** (= 3 keer drukken op de knop van de dimmer);

• **Niveau 4** (= 4 keer drukken op de knop van de dimmer).

Wacht 10 seconden tot de groene led het aantal keer knippert dat overeenkomt met het aantal keer dat de knop van de dimmer werd ingedrukt en behorend bij het gekozen niveau.

**06.** Druk op de knop van de dimmer en houd hem ingedrukt; wacht tot de led continu groen gaat branden en dan helemaal uitgaat; laat dan de knop los. Als het opslaan is gelukt, knippert de led 2 keer kort groen en blijft de aangesloten lamp op de minimale lichtsterktewaarde branden.

### **11.3 - Een nieuwe lichtsterktewaarde instellen en deze opslaan in “Werkwijze II” (met behulp van een externe knop)**

Schakel, alvorens met de procedure te beginnen, de lamp in, zet hem op de minimale lichtsterkte en schakel hem uit.

**01.** Schakel de stroom naar de dimmer uit; druk op de externe knop en houd hem ingedrukt; schakel weer de stroom naar de dimmer in. Wacht tot de led groen gaat branden en de aangesloten lamp aangaat op de minimale lichtsterktedrempel; Laat ten slotte de externe knop los.

**02.** Druk op de externe knop en houd hem ingedrukt; wacht tot de led continu groen gaat branden en de lichtsterkte van de aangesloten lamp toeneemt; wacht vervolgens tot de led uitgaat en de lichtsterkte van de lamp afneemt. Laat ten slotte de externe knop los.

**03.** Druk op de externe knop en houd hem ingedrukt; wacht tot de led continu groen gaat branden en de lichtsterkte van de aangesloten lamp toeneemt; wacht vervolgens tot de led uitgaat en de lichtsterkte van de lamp afneemt. Laat ten slotte de externe knop los.

**04.** Druk op de externe knop en houd hem ingedrukt; wacht tot de led groen gaat branden en uitgaat; wacht tot de lichtsterkte van de aangesloten lamp toeneemt en vervolgens afneemt; wacht vervolgens tot de (groene) led en de lamp 2 keer kort knipperen. Laat ten slotte de externe knop los.

**05.** De lichtsterkte van de lamp op de gewenste waarde instellen met behulp van de externe knop, gaat als volgt:

• **druk eerst lang op de knop:** laat de lichtsterkte toenemen tot u de knop loslaat.

• **druk dan weer lang op de knop:** laat de lichtsterkte afnemen tot u de knop loslaat.

**Let op!** – Met kort drukken op de knop wordt de functie “Toggle” (On/Off) geactiveerd.

Als de gewenste lichtsterkte is bereikt, wacht u (ongeveer 10 seconden) tot de (groene) led en de lamp 2 keer knipperen.

**06.** Kies uit de lijst het niveau waaraan u de nieuwe lichtsterktewaarde wilt toekennen en druk langzaam het aantal keer op de externe knop dat hoort bij het gekozen niveau:

• **Niveau 1** (= 1 keer drukken op de externe knop);

• **Niveau 2** (= 2 keer drukken op de externe knop);

• **Niveau 3** (= 3 keer drukken op de externe knop);

• **Niveau 4** (= 4 keer drukken op de externe knop).

Wacht 10 seconden tot de groene led en de aangesloten lamp het aantal keer knipperen dat overeenkomt met het aantal keer dat de knop van de dimmer werd ingedrukt en behorend bij het gekozen niveau.

**07.** Druk op de externe knop en houd hem ingedrukt; wacht tot de (groene) led en de aangesloten lamp continu gaan branden en dan helemaal uitgaan; laat dan de externe knop los.

Als het opslaan is gelukt, knippert de led 2 keer kort groen en blijft de aangesloten lamp op de minimale lichtsterktewaarde branden.

## **12 - HET GEHEUGEN BLOKKEREN EN DEBLOKKEREN**

Zoals reeds aangegeven in hoofdstuk 8, kunnen er nieuwe zenders worden opgeslagen met gebruik van een zender die al in de dimmer is opgeslagen. Als tijdens dit type programmering een andere zender van Nice met *rolling code*-codering in de buurt van de dimmer aan het zenden is, dan bestaat het risico dat deze zender in dezelfde dimmer wordt opgeslagen. Om dit probleem te voorkomen kan het geheugen van de dimmer op een van de volgende manieren worden geblokkeerd.

## 12.1 - Het geheugen blokkeren/deblokkeren (met behulp van een reeds opgeslagen zender)

Deze procedure kan uitsluitend worden uitgevoerd met een zender die is opgeslagen in "Werkwijze I".

---

Schakel, alvorens met de procedure te beginnen, de lamp in, zet hem op de minimale lichtsterkte en schakel hem uit.

01. Druk op de toets **■** van de zender en houd hem ingedrukt; wacht tot de led van de dimmer 1 keer groen knippert en de aangesloten lamp op de maximale lichtsterkte gaat branden. Laat dan de toets los.
02. Druk op de toets **▼** van de zender en houd hem ingedrukt; wacht tot de led van de dimmer 2 keer kort groen knippert en de lichtsterkte van de aangesloten lamp naar ongeveer 10% daalt. Laat dan de toets los.
03. Druk op de toets **▲** van de zender en houd hem ingedrukt; wacht tot de led van de dimmer 3 keer kort groen knippert en de lichtsterkte van de aangesloten lamp op ongeveer 50% komt. Laat dan de toets los.
04. Druk op de toets **▲** van de zender en houd hem ingedrukt; wacht tot de led van de dimmer 4 keer kort groen knippert en de lichtsterkte van de aangesloten lamp naar ongeveer 10% daalt. Laat dan de toets los.
05. Kies de gewenste optie uit de lijst:
  - om het geheugen te blokkeren (= gebruik de toets **▲**);
  - om het geheugen te deblokkeren (= gebruik de toets **■**);Druk dan op de toets van de zender die bij de gekozen optie hoort; wacht tot de led 2 keer groen knippert en dan uitgaat. Laat dan de toets los.

## 12.2 - Het geheugen blokkeren/deblokkeren (met de knop op de dimmer)

01. Druk op de knop van de dimmer en houd hem ingedrukt; wacht tot de led groen gaat branden en dan helemaal uitgaat; laat dan de knop los.
02. Druk op de knop van de dimmer en houd hem ingedrukt; wacht tot de led groen gaat branden, vervolgens uitgaat en dan 2 keer groen knippert; laat dan de knop los.
03. Druk op de knop van de dimmer en houd hem ingedrukt; wacht tot de led groen gaat branden, vervolgens uitgaat en dan 2 keer groen knippert; laat dan de knop los.
04. Kies de gewenste optie uit de lijst; druk langzaam het aantal keer op de knop van de dimmer dat bij de gekozen optie hoort:
  - om het geheugen te blokkeren (= 1 keer drukken op de knop);
  - om het geheugen te deblokkeren (= 2 keer drukken op de knop);Wacht 10 seconden tot de led het aantal keer groen knippert dat overeenkomt met het aantal keer dat de knop werd ingedrukt en behorend bij de gekozen optie.
05. Druk op de knop van de dimmer en houd hem ingedrukt; wacht tot de led groen

---

gaat branden en uitgaat; laat dan de knop los: de led knippert 2 keer kort groen om te bevestigen dat het annuleren is gelukt.

## 12.3 - Het geheugen blokkeren/deblokkeren (met een externe knop)

---

Schakel, alvorens met de procedure te beginnen, de lamp in, zet hem op de minimale lichtsterkte en schakel hem uit.

01. Schakel de stroom naar de dimmer uit; druk op de externe knop en houd hem ingedrukt; schakel weer de stroom naar de dimmer in. Wacht tot de led groen gaat branden en de aangesloten lamp aangaat op de minimale lichtsterktedrempel; Laat ten slotte de externe knop los.
02. Druk op de externe knop en houd hem ingedrukt: de led gaat groen branden en gaat dan uit; de lichtsterkte van de aangesloten lamp neemt toe en vervolgens af; de groene led en de lamp knipperen vervolgens 2 keer. Laat ten slotte de externe knop los.
03. Druk op de externe knop en houd hem ingedrukt: de led gaat groen branden en gaat dan uit; de lichtsterkte van de aangesloten lamp neemt toe en vervolgens af; de groene led en de lamp knipperen vervolgens 2 keer. Laat ten slotte de externe knop los.
04. Druk het aantal keer op de externe knop dat hoort bij de functie die u wilt selecteren:
  - om het geheugen te blokkeren (= 1 keer drukken op de knop);
  - om het geheugen te deblokkeren (= 2 keer drukken op de knop);10 seconden nadat u de laatste keer op de knop heeft gedrukt zullen de groene led en de lamp het aantal keer knipperen dat bij de gekozen functie hoort.
05. Druk op de externe knop en houd hem ingedrukt. De groene led gaat branden en de lichtsterkte van de aangesloten lamp neemt toe; laat de knop los zodra de led uitgaat en de lichtsterkte van de lamp afneemt. Om te bevestigen dat de procedure voltooid is, zullen de (groene) led en de lamp 2 keer knipperen.

## 13 - TECHNISCHE GEGEVENS

• **Voeding:** 230Vac,  $\pm 10\%$  50Hz • **Maximale stroomopname:** < 500mW in stand-by, exclusief de stroomopname van de gestuurde belasting • **Maximaal vermogen belasting:** 250W / 200VA • **Dissipatie:** 2,5W/A (schatting) • **Type lamp (alle met ingangsvvoeding van 230 Vac  $\pm 10\%$ , 50Hz):** gloei- en halogeenlampen; ledlampen; neonlampen • **IP-klasse:** 20 • **Afmetingen:** 47 x 18 x 32 mm • **Gewicht:** 30 g

## 14 - AFVALVERWERKING VAN HET PRODUCT

• Wanneer de levensduur van dit product ten einde is, dienen, zoals dit ook bij de installatiewerkzaamheden het geval is, de ontmantelingswerkzaamheden door gekwalificeerd personeel te worden uitgevoerd. • Dit product bestaat uit verschillende soorten materialen: sommige kunnen gerecycled worden, andere moeten verwerkt worden. Win inlichtingen in over de methoden van hergebruik of afvalverwerking in en houd u aan de plaatselijke, voor dit soort producten van kracht zijnde voorschriften.

**Let op!** – sommige onderdelen van het product kunnen vervuilende of gevaarlijke stoffen bevatten: indien die in het milieu terechtkomen, kunnen ze schadelijke gevolgen voor het milieu en de menselijke gezondheid opleveren. Zoals het symbool hiernaast aangeeft, is het verboden dit product met het gewone huisafval weg te gooien. Scheid uw afval voor verwerking op een manier zoals die in de plaatselijke regelgeving is voorzien of lever het product bij uw leverancier in wanneer u een nieuw gelijksoortig product koopt.



**Let op!** – de plaatselijk geldende regelgeving kan in zware straffen voorzien in geval van illegale dumping van dit product. • Het verpakkingsmateriaal moet volgens de plaatselijk geldende voorschriften verwerkt worden.

## EG-VERKLARING VAN OVEREENSTEMMING

Verklaring in overeenstemming met de Richtlijn 1999/5/EG

**Opmerking** – De inhoud van deze verklaring stemt overeen met hetgeen verklaard is in het officiële document dat is neergelegd bij de vestiging van Nice S.p.a., en in het bijzondere met de laatste revisie hiervan die voor het afdrukken van deze handleiding beschikbaar was. De hier beschreven tekst werd om uitgeversredenen opnieuw aangepast. Een kopie van de originele verklaring kan worden aangevraagd bij Nice S.p.a. (TV) I.

Nummer verklaring: **480/TTDMS** Revisie: **0** Taal: **NL**

Ondergetekende Luigi Paro, in diens hoedanigheid van Gedelegeerd Bestuurder, verklaart onder zijn eigen verantwoordelijkheid dat het product: • **Naam fabrikant:** NICE S.p.A. • **Adres:** Via Pezza Alta n°13, 31046 Rustignè di Oderzo (TV) Italië • **Type product:** Dimmer voor beheer van lampen tot 250W / 200VA • **Model / Type:** TTDMS • **Uitrustingen:** geen

voldoet aan de essentiële vereisten zoals vermeld in artikel 3 van de volgende communautaire richtlijn, voor het gebruik waarvoor de producten bestemd zijn:

- Richtlijn 1999/5/EG VAN HET EUROPESE PARLEMENT EN VAN DE RAAD van 9 maart 1999 betreffende radioapparatuur en telecommunicatie-eindapparatuur en de wederzijdse erkenning van hun conformiteit, volgens de volgende geharmoniseerde normen:
  - Bescherming van de gezondheid (art. 3(1)(a)): EN 62479:2010
  - Elektrische veiligheid (art. 3(1)(a)): EN 60950-1:2006 + A1:2010 + A12:2011
  - Elektromagnetische compatibiliteit (art. 3(1)(b)): EN 301 489-1 V1.9.1:2011; EN 301 489-3 V1.4.1:2002
  - Radiospectrum (art. 3(2)): EN 300 220-2 V2.4.1:2012

Daarnaast is het product in overeenstemming met de bepalingen van de volgende communautaire richtlijnen:

- Richtlijn 2006/95/EG VAN HET EUROPESE PARLEMENT EN VAN DE RAAD van 12 december 2006 betreffende de onderlinge aanpassing van de wettelijke voorschriften der lidstaten inzake elektrisch materiaal bestemd voor gebruik binnen bepaalde spanningsgrenzen, volgens de volgende geharmoniseerde normen: EN 60669-2-1:2004 + A1:2009 + A12:2010
- RICHTLIJN 2004/108/EG VAN HET EUROPEES PARLEMENT EN VAN DE RAAD van 15 december 2004 betreffende de onderlinge aanpassing van de wettelijke voorschriften der lidstaten inzake de elektromagnetische compatibiliteit en tot in-trekking van de richtlijn 89/336/EG, volgens de volgende geharmoniseerde normen: EN 55015:2006 + A1:2007 + A2:2009; EN 61547:2009, EN 61000-3-2:2006 + A1:2009 + A2:2009; EN 61000-3-3:2008

Oderzo, 3 juni 2013

Ing. **Luigi Paro** (Gedelegeerd Bestuurder)

**EN - Appendix** (chapter 5 and 6)

**IT - Appendice** (capitolo 5 e 6)

**FR - Appendice** (chapitre 5 et 6)

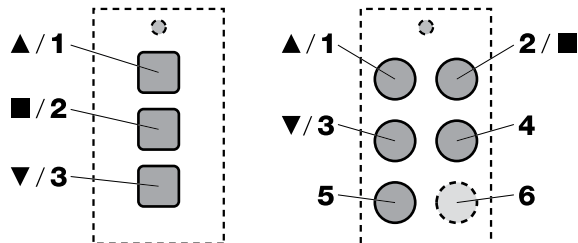
**ES - Apéndice** (capítulo 5 y 6)

**DE - Anhang** (Kapitel 5 und 6)

**PL - Załącznik** (rozdział 5 i 6)

**NL - Bijlage** (hoofdstuk 5 en 6)

3



EN - TABLE B  
IT - TABELLLA B  
FR - TABLEAU B  
ES - TABLA B  
DE - TABELLE B  
PL - TABELA B  
NL - TABEL B

EN - Series  
IT - Serie  
FR - Série  
ES - Serie  
DE - Serie  
PL - Seria  
NL - Serie

Descriptive image  
Immagine descrittiva  
Image descriptive  
Imagen descriptiva  
Beschreibende Abbildung  
Rysunek opisowy  
Beschrijvende afbeelding

Nice Era



Era P Era W Era MiniWay Era One Era Inti

NiceWay



NiceWay

Nice Flor /  
Nice Very



Flor-m



Very VR

Nice Home  
System



Touch HSTS2



HSTX8



**Nice**

**Nice SpA**  
Oderzo TV Italia  
info@niceforyou.com

[www.niceforyou.com](http://www.niceforyou.com)