

# SPA2

manual release kit

Installation instructions and warnings  
Istruzioni ed avvertenze per l'installazione  
Instructions et avertissements pour l'installation  
Anweisungen und Hinweise für die Installation  
Instrucciones y advertencias para la instalación  
Installatievoorschriften en waarschuwingen

**Nice**



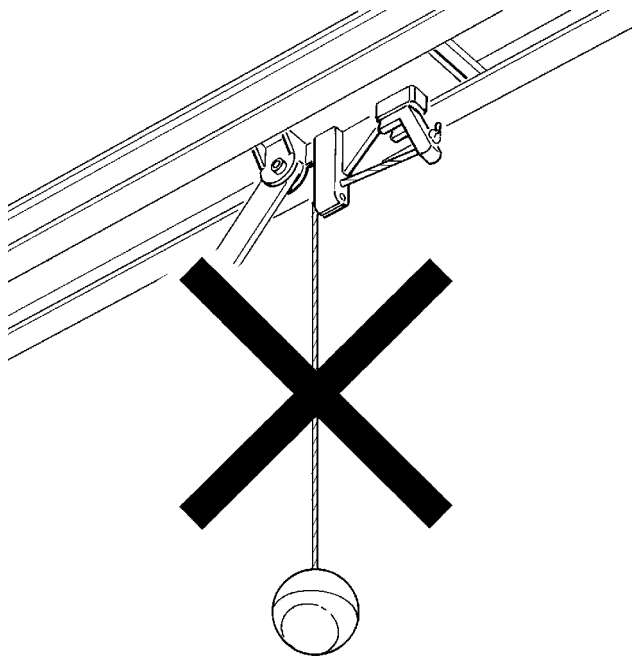


Fig. 1 model SPIN

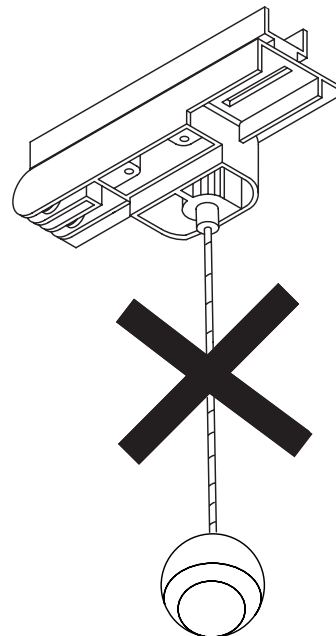


Fig. 1 model SPIDER

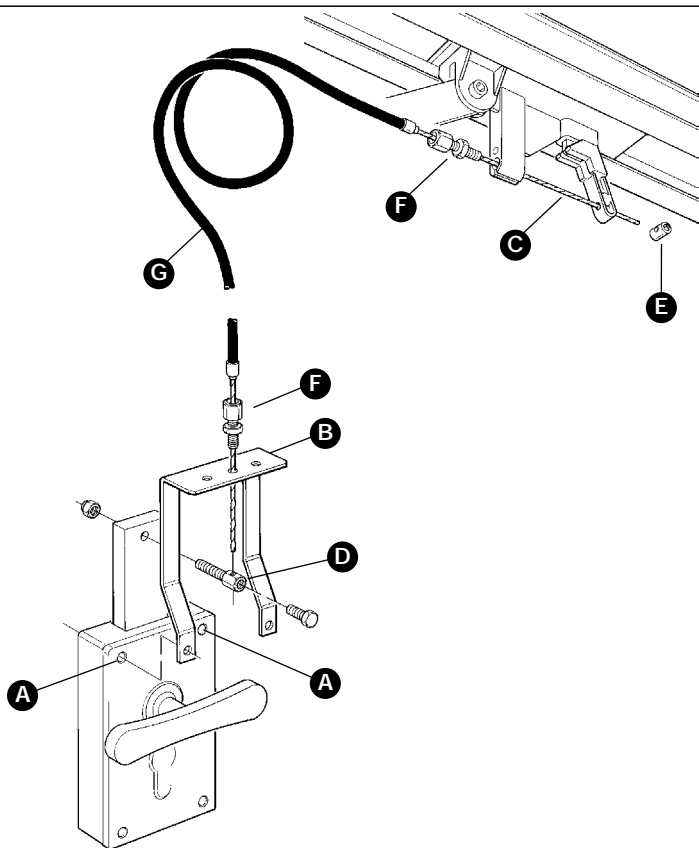


Fig. 2 model SPIN

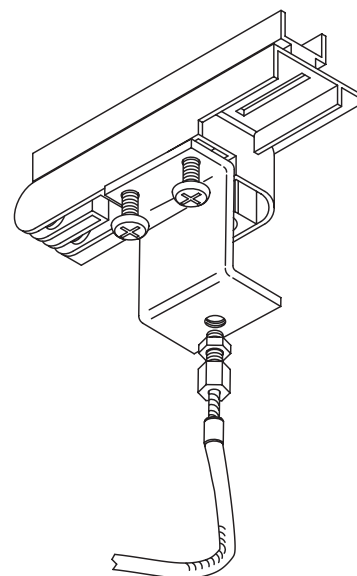


Fig. 2 model SPIDER



**Nice SpA**  
 Oderzo TV Italia  
 Tel. +39.0422.85.38.38  
 Fax +39.0422.85.35.85  
 info@niceforyou.com

**Nice Padova**  
 Sarmeola di Rubano PD Italia  
 Tel. +39.049.89.78.93.2  
 Fax +39.049.89.73.85.2  
 infopd@niceforyou.com

**Nice Roma**  
 Roma Italia  
 Tel. +39.06.72.67.17.61  
 Fax +39.06.72.67.55.20  
 inforoma@niceforyou.com

**Nice France**  
 Buchelay  
 Tel. +33.(0)1.30.33.95.95  
 Fax +33.(0)1.30.33.95.96  
 info@fr.niceforyou.com

**Nice Rhône-Alpes**  
 Decines Charpieu France  
 Tel. +33.(0)4.78.26.56.53  
 Fax +33.(0)4.78.26.57.53  
 info lyon@fr.niceforyou.com

**Nice France Sud**  
 Aubagne France  
 Tel. +33.(0)4.42.62.42.52  
 Fax +33.(0)4.42.62.42.50  
 info marseille@fr.niceforyou.com

**Nice Belgium**  
 Leuven (Heverlee)  
 Tel. +32.(0)16.38.69.00  
 Fax +32.(0)16.38.69.01  
 info@be.niceforyou.com

**Nice España Madrid**  
 Tel. +34.9.16.16.33.00  
 Fax +34.9.16.16.30.10  
 info@es.niceforyou.com

**Nice España Barcelona**  
 Tel. +34.9.35.88.34.32  
 Fax +34.9.35.88.42.49  
 info@es.niceforyou.com

**Nice Polska**  
 Leuven (Heverlee)  
 Tel. +48.22.728.33.22  
 Fax +48.22.728.25.10  
 info@pl.niceforyou.com

**Nice UK**  
 Chesterfield  
 Tel. +44.87.07.55.30.10  
 Fax +44.87.07.55.30.11  
 info@uk.niceforyou.com

**Nice China**  
 Shanghai  
 Tel. +86.21.575.701.46  
 Fax +86.21.575.701.44  
 info@cn.niceforyou.com